

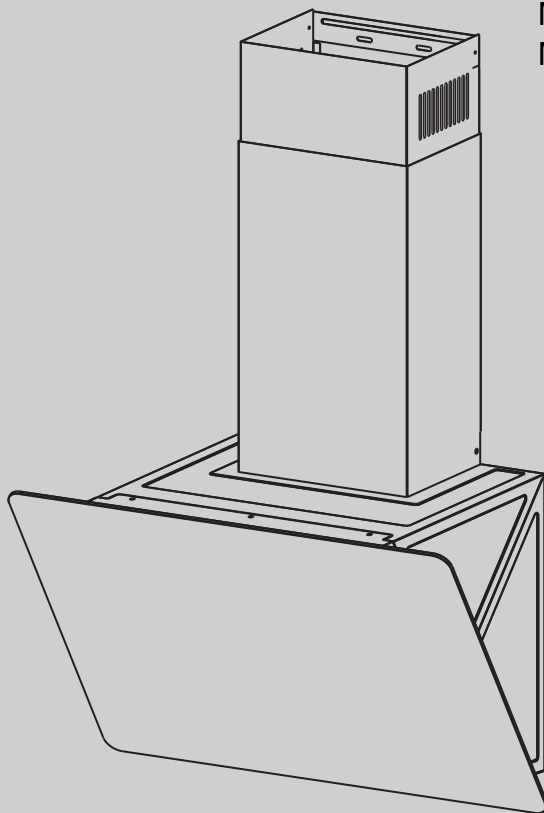
**COOKER HOOD**

# **INSTRUCTION MANUAL**

**Read this manual carefully before operation**


Pictures in this manual are for reference only, the product in kind prevail.

MH90A3200B-ES  
MH90A3200W-ES  
MH60A3200B-ES  
MH60A3200W-ES



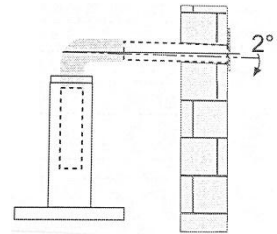
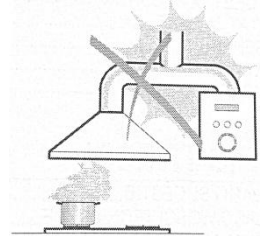
 **Midea**

# RECOMMENDATIONS AND SUGGESTIONS

 The instructions for Use apply to several versions of this appliance. Accordingly, you may find descriptions of individual features that do not apply to your specific appliance.

## INSTALLATION

- The manufacturer will not be held liable for any damages resulting from incorrect or improper installation.
- The minimum safety distance between the cooker top and the extractor hood is 650 mm (some models can be installed at a lower height, please refer to the paragraphs on working dimensions and installation).
- Check that the mains voltage corresponds to that indicated on the rating plate fixed to the inside of the hood.
- For Class I appliances, check that the domestic power supply guarantees adequate earthing.
- Connect the extractor to the exhaust flue through a pipe of minimum diameter 120mm. The route of the flue must be as short as possible.
- Do not connect the extractor hood to exhaust ducts carrying combustion flumes (boilers, fireplaces, etc.).
- If the extractor is used in conjunction with non-electrical appliances (e.g. gas burning appliances), a sufficient degree of aeration must be guaranteed in the room in order to prevent the backflow of exhaust gas. The kitchen must have an opening communicating directly with the open air in order to guarantee the entry of clean air. When the cooker hood is used in conjunction with appliances supplied with energy other than electric, the negative pressure in the room must not exceed 0,04 mbar to prevent fumes being drawn back into the room by the cooker hood.
- In the event of damage to the power cable, it must be replaced by the manufacturer or by the technical service department, in order to prevent any risks.
- If the instructions for installation for the gas hob specify a greater distance specified above, this has to be taken into account. Regulations concerning the discharge of air have to be fulfilled.




## USE

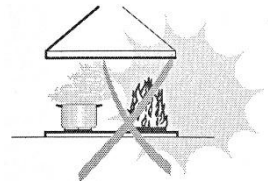
- The extractor hood has been designed exclusively for domestic use to eliminate kitchen smells.
- Never use the hood for purposes other than for which it has been designed.
- Never leave high naked flames under the hood when it is in operation.
- Adjust the flame intensity to direct it onto the bottom of the pan only, making sure that it does not engulf the sides.
- Deep fat fryers must be continuously monitored during use: overheated oil can burst into flames.
- Do not flame under the range hood; risk of fire.
- This appliance can be used by children aged from 8 years and above and persons with reduced physical, sensory or mental capabilities or lack of experience and knowledge if they have been given supervision or instruction concerning use of the appliance in a safe way and understand the hazards involved.
- Children should be supervised to ensure that they do not play with the appliance.
- Cleaning and user maintenance shall not be made by children without supervision.
- "CAUTION: Accessible parts may become hot when used with cooking appliances".

## MAINTENANCE

- Switch off or unplug the appliance from the mains supply before carrying out any maintenance work.
- Clean and/or replace the Filters after the specified lime period (Fire hazard).
- Clean the hood using a damp cloth and a neutral liquid detergent.
- The appliance uses 4 hob elements at most.



The symbol  is packaging indicates that this product may not be treated as household waste. Instead it shall be handed over to the applicable collection point for the recycling of electrical and electronic equipment. By ensuring this product is disposed of correctly, you will help prevent potential negative consequences for the environment and human health, which could otherwise be caused by inappropriate waste handling of this product. For more detailed information about recycling of this product, please contact your local city office, your household waste disposal service or the shop where you purchased the product.

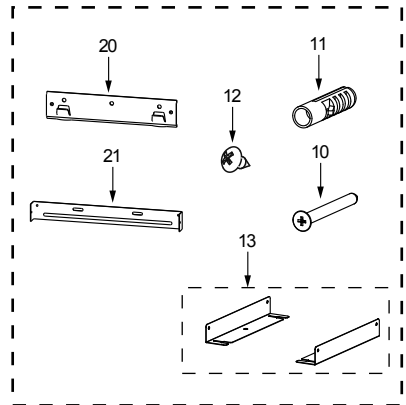
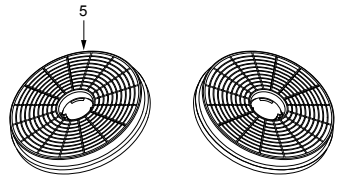
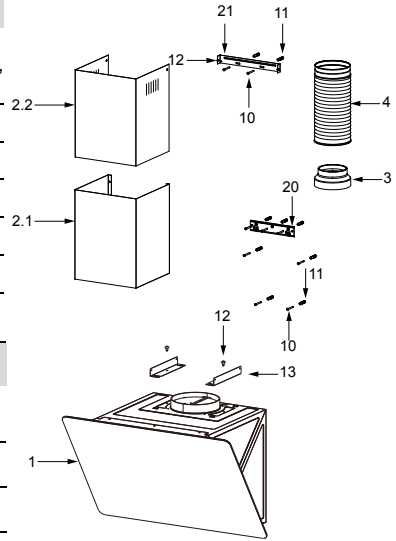


# COMPONENTS

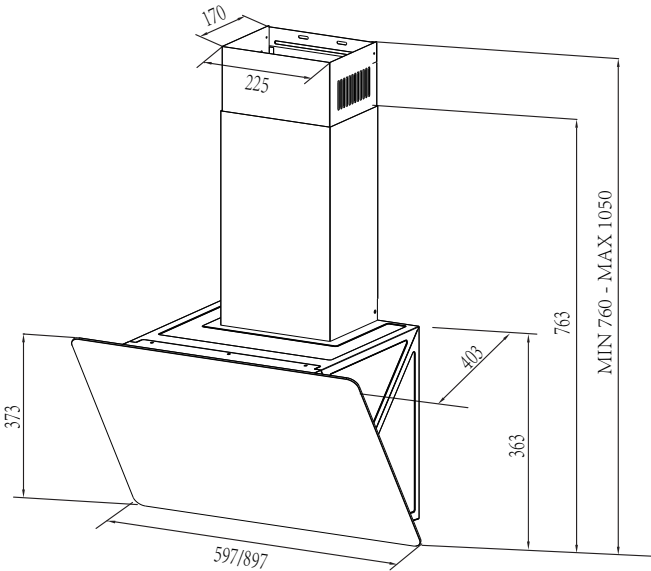
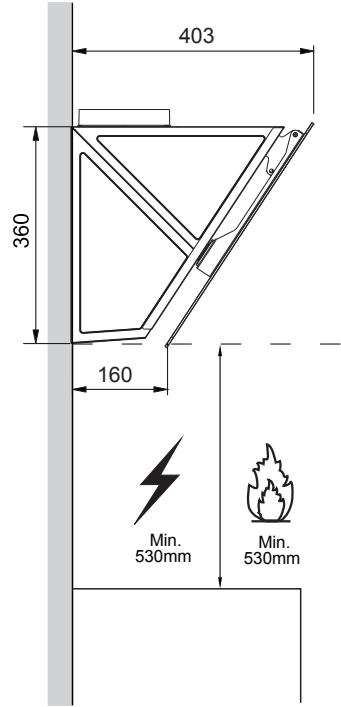
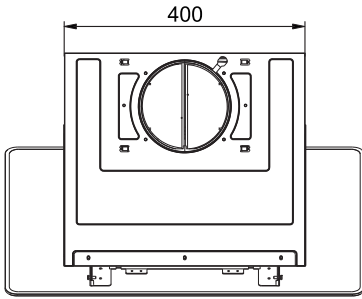
Ref.	Qty.	Product Components
1	1	Hood Body, complete with: Controls, Light, Blower, Filter.
2.1	1	Lower Decorative Chimney ( optional )
2.2	1	Upper Decorative Chimney ( optional )
3	1	Flange ( optional )
4	1	Exhaust Pipe
5	2	The Activated Charcoal filter ( optional )

Ref.	Qty.	Installation Components
10	7	Screws 5 x 50
11	7	Wall Plugs
12	6	Screws 4.2 x 9.5
13	2	Mounting Bracket
20	1	Hood fixing bracket ( optional )
21	1	Chimney fixing bracket (0/1 optional )

Qty.	Documentation
1	Instruction Manual

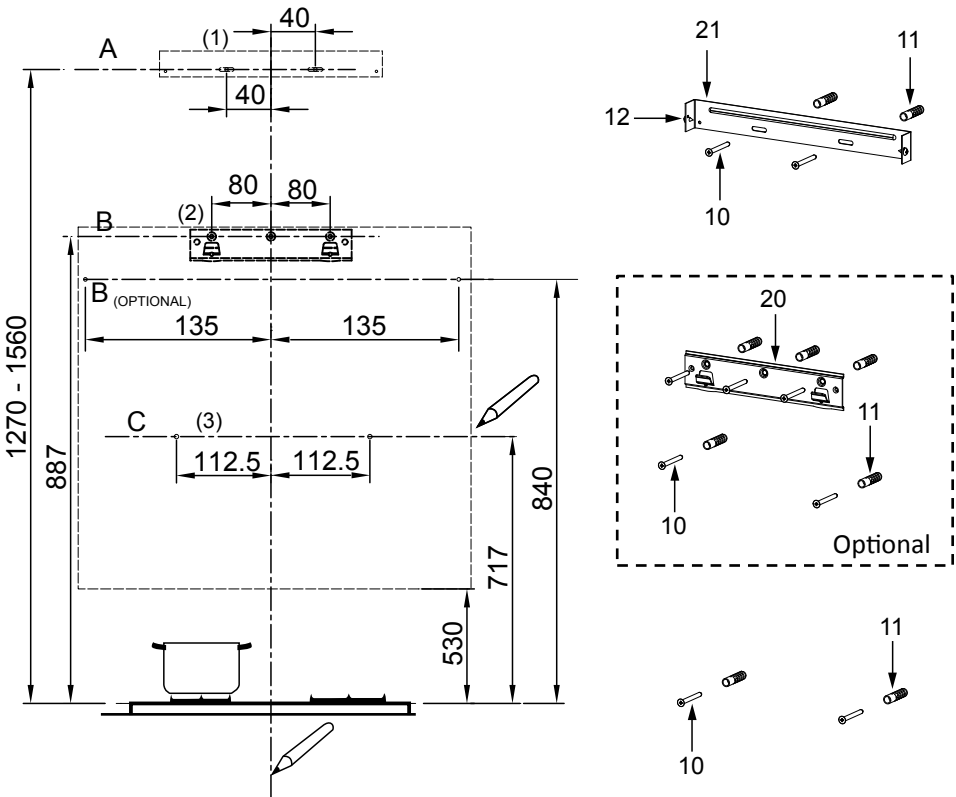


# DIMENSIONS



# INSTALLATION

## WALL DRILLING AND BRACKET FIXING



### As a first step, proceed with the following drawings:

- A vertical line up to the ceiling or up to the upper limit, at the center of the area in which the hood is to be fitted.
- A horizontal line **A** at **1270 – 1560** mm above the cooker top.
- A horizontal line **B** at a minimum **887 (840 optional)** mm above the cooker top.
- A horizontal line **C** at a minimum **717** mm above the cooker top.

### Mark Points:

- Mark a point **(1)** on the horizontal line **A**, **40** mm to the right of the vertical reference line.
- Repeat this operation on the other side, checking that the two marks are leveled.
- Mark a point **(2)** on the horizontal line **B**, **80 (135 optional)** mm to the right of the vertical reference line.
- Repeat this operation on the other side and on the vertical reference line, checking that the three marks are leveled.

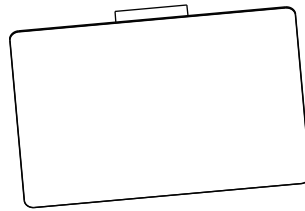
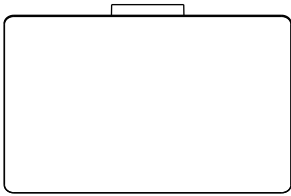
- Mark a point **(3)** on the horizontal line **C**, **112.5 mm** to the right of the vertical reference line.
- Repeat this operation on the other side, checking that the two marks are on the same horizontal line.

**Fix the brackets (Optional):**

- Drill at the marked points **(1)** **(2)** **(3)**, using a  $\phi 10$  mm drill bit.
- Insert the Wall Plugs **11** into the holes **(1)** **(2)** **(3)**.
- Fix the hood fixing bracket **20** with 3 screws **10** (5 x 50) supplied with the hood.
- Fix a Chimney fixing bracket **21** with 2 screws **10** (5 x 50) supplied with the hood.

**Hook the hood body:**

- Open the panel.
- Remove the Metal grease filter using the handles provided.
- Hook the hood body to the bracket **20**.
- Level the hood body itself.




---

**Right**

**Wrong**

- From the inside of the hood body, fix the screws **10** to Wall Plugs **11** at the points **(3)**.
- Fit the filter into the hood.
- Close the panel.

## CHOOSE A VENTING MODE

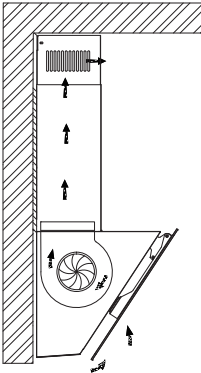
---

Here two venting modes, extraction-air mode and recirculation mode, before installing, select one mode.

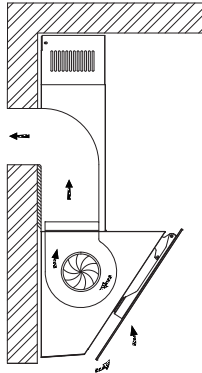
Extraction-air mode, the air is discharged out of the house by a pipe.

Recirculation mode, the air is purified and discharged into the house through two rows of holes on the adjustable decorative cover.

Note: For recirculation mode, no need pipe, install carbon filters.  
when carbon filter attached, the suction power will be lowered.



Recirculation mode



Extraction-air mode

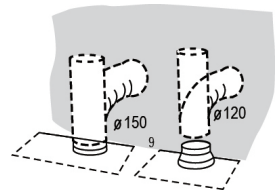
## CONNECTIONS

---

### DUCTED VERSION AIR EXHAUST SYSTEM

When installing the ducted version, connect the hood to the chimney using either a flexible or rigid pipe  $\phi$  150 or  $\phi$  120 mm, the choice of which is left to the installer.

- To install a  $\phi$  120 mm air exhaust connection, insert the reducer flange 3 on the hood body outlet.
- Fix the pipe 4 in position using sufficient pipe clamps (not supplied).
- Remove possible charcoal filters.

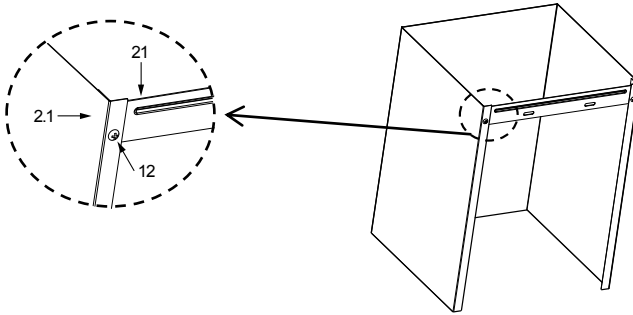


## CHIMNEY ASSEMBLY

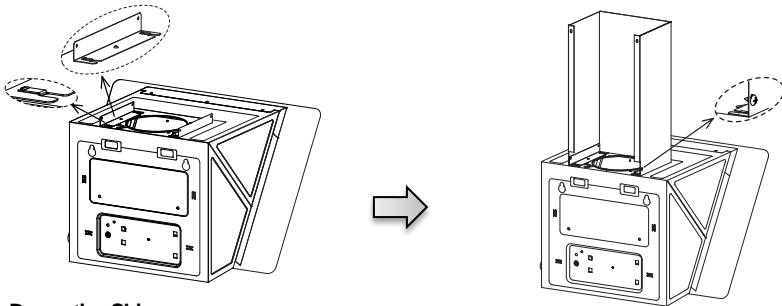
The chimney can only be installed with exhausting hood.

### Lower Decorative Chimney

- Fix a Chimney fixing bracket **21** onto the Lower Decorative Chimney with 2 screws **12** (4.2 x 9.5) supplied with the hood.

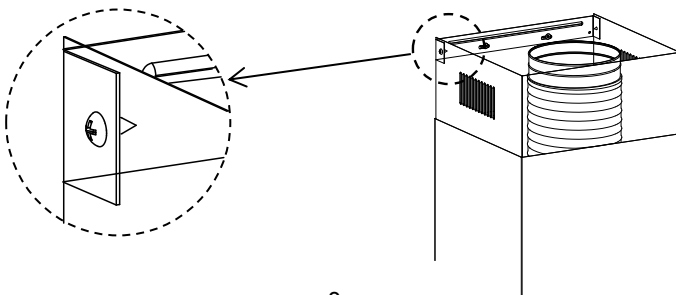


- Hook the brackets **13** onto the hood body, and fix them with 2 screws **12** (4.2 x 9.5), making sure that they are well seated.
- Slightly widen the two sides of the lower chimney and hook them between the brackets **13**, fix the lower chimney onto the brackets **13** with 2 screws **12** (4.2 x 9.5) supplied with the hood.



### Upper Decorative Chimney

- Slightly widen the two sides of the upper chimney and hook them between the wall and the bracket **21** which is fixed on the Lower Decorative Chimney.
- Fix the upper chimney onto the bracket **21** with 2 screws **12** (4.2 x 9.5) supplied with the hood.




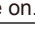








# USE

---



Button	Function	Remarks
	Turns the lighting system on or off.	Button on.
—	Decrease the motor speed.	When  + — are on.
	Display fan gear "1、 2、 3".	When the fan is running.
	Display "0".	Delayed shutdown mode, or standby mode.
+	Increase the motor speed.	When  + + are on.
	Turn the Motor ON.	When  is off.
	Automatic shutdown after 3 minutes.	When  is on.
	Turn the Motor OFF.	When  is flashing.

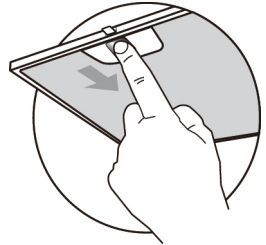
# MAINTENANC

---

## GREASE FILTERS

### CLEANING METAL SELF-SUPPORTING GREASE FILTERS

- The filters must be cleaned every 2 months of operation, or more frequently for particularly heavy usage, and can be washed in a dishwasher.
- Pull the comfort panels to open them.
- Remove the filters one by one pushing them towards the back side of the hood unit and simultaneously pulling downwards.
- Any kind of bending of the filters has to be avoided when washing them. Before fitting them again into the hood make sure that they are completely dry. (The color of the filter surface may change throughout the time but this has no influence to the filter efficiency).
- When fitting the filters into the hood pay attention that they are mounted in correct position the handle facing outwards.
- Close the comfort panel.

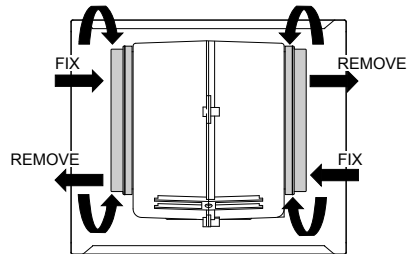


### ACTIVATED CHARCOAL FILTER (RECIRCULATION VERSION)

These filters are not washable and cannot be regenerated, and must be replaced approximately every 4 months of operation, or more frequently with heavy usage.

### REPLACING THE ACTIVATED CHARCOAL FILTER

- Open the comfort panels pulling them downwards.
- Remove the metal grease filters
- Remove the saturated activated charcoal filter.
- Fit the new filters.
- Replace the metal grease filters.
- Close the comfort panel




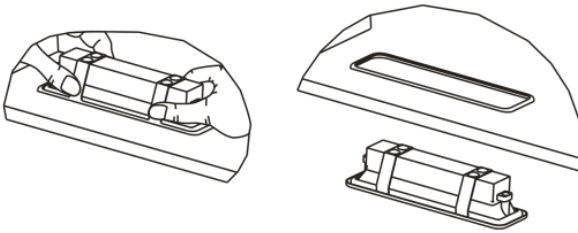
# LIGHTING

## LIGHT REPLACEMENT

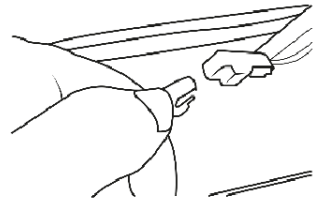
### 1.5W LED light.

- Switch off the extractor hood and isolate the extractor hood by pulling out the mains plug or switching off the fuse.
- Remove the grease filter.
- Remove the light by levering its fitting from the hood body (this may require pressure or force to be applied).

	Max power	Voltage	Picture	Lamp Cap	ILCOS D code
Self-ballasted LED modules	1.5W	DC 12 V	 Square/Diameter:33.2mmx120mm	/	DBS-1.5-S-33.2/120



- Disconnect the connector of the light.
- Replace the light with a new one of the same type, making sure that you connect the light with the light cable correctly.
- Reinstall the light back to the hood body.



## DISPOSAL OF OLD ELECTRICAL APPLIANCES

---



The European directive 2012/19/EU on Waste Electrical and Electronic Equipment (WEEE), requires that old household electrical appliances must not be disposed of in the normal unsorted municipal waste stream. Old appliances must be collected separately in order to optimize the recovery and recycling of the materials they contain, and reduce the impact on human health and the environment.

The crossed out "wheeled bin" symbol on the product reminds you of your obligation, that when you dispose of the appliance, it must be separately collected.

Consumers should contact their local authority or retailer for information concerning the correct disposal of their old appliance.

## TROUBLE SHOOTING

Fault	Cause	Solution
Light on, but motor does not work	The blades are blocked.	
	The capacitor is damaged.	Replace capacitor.
	The motor is damaged.	Replace motor.
	The internal wiring of motor is cut off/ disconnected. An unpleasant smell may be produced.	Replace motor.
Both light and motor do not work	Apart from the above mentioned, check the following:	
	Light damaged.	Replace lights.
	Power cord loose.	Connect the wires as per the electric diagram.
Oil leakage	Outlet and the air ventilation entrance are not tightly sealed.	Take down the outlet and seal with glue.
	Leakage from the connection of U-shaped section and cover.	Take U-shaped section down and seal with soap or paint.
Vibration	The blade, if damaged, can cause vibrating.	Replace the blade.
	The motor is not tightly fastened.	Fasten the motor tightly.
	The cooker hood is not tightly fixed.	Fixed the cooker hood tightly.
Insufficient suction	The distance between the cooker hood and the cooker top is too large.	Readjust the distance.
	Too much ventilation from open doors or windows.	Choose a new place to install the appliance or close some doors / windows.
The machine inclines	The fixing screws are not tight enough.	Tighten the fixing screw and make it horizontal.
	The hanging screws are not tight enough	Tighten the hanging screw and make it horizontal.

The manufacturer shall decline all responsibility if the foregoing recommendations and instruction regarding installation, maintenance and use are not observed and respected when using the cooker hood.

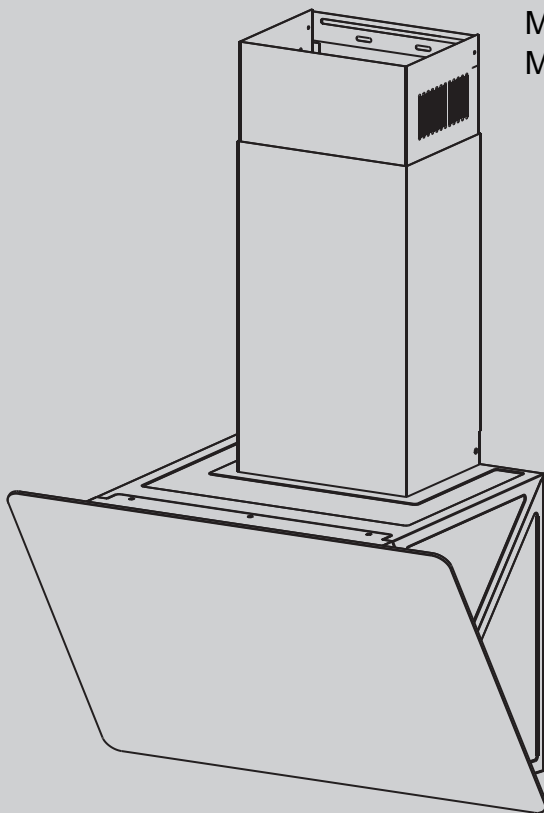
## CAMPANA EXTRACTORA

# MANUAL DE INSTRUCCIONES


**Lea este manual cuidadosamente antes de manipular el artefacto**

Las imágenes de este manual son referenciales, prevalece el tipo de producto.

MH90A3200B-ES  
MH90A3200W-ES  
MH60A3200B-ES  
MH60A3200W-ES

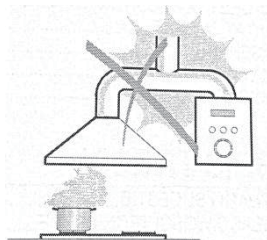


# RECOMENDACIONES Y SUGERENCIAS

 Las instrucciones de uso se aplican a varias versiones de este artefacto. Por consiguiente, puede encontrar descripciones de características individuales que no se aplican en su artefacto en específico.

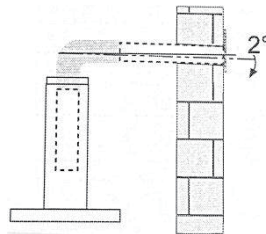
## INSTALACIÓN

- El fabricante no se hace responsable por los daños resultantes de una instalación incorrecta o negligente.
- La distancia mínima de seguridad entre la encimera y la campana extractora es de 650 mm (algunas versiones del artefacto se pueden instalar a menor altura, consulte las indicaciones sobre dimensiones de trabajo e instalación).
- Verifique que el voltaje de la red corresponde con la indicada en la placa de datos fijada en el interior de la campana extractora.
- Para los artefactos de Clase I, verifique que el suministro eléctrico doméstico garantice una conexión a tierra apropiada.
- Conecte el extractor a la salida de humos a través de un tubo de 120mm de diámetro mínimo. El recorrido de la chimenea debe ser lo más corto posible.
- No conecte la campana extractora a conductos de escape que lleven canal de combustión (calderas, chimeneas, etc.).
- Si la campana extractora se utiliza junto con artefactos no eléctricos (por ejemplo, artefactos a gas), debe garantizarse una buena ventilación en la cocina para evitar el reflujo de los gases de escape. La cocina debe tener una vía de salida que se comunique directamente con el ambiente exterior, de esta se garantizará la entrada de aire limpio. Cuando la campana extractora funcione junto a artefactos no eléctricos, la presión negativa en la cocina no debe exceder los 0,04 mbar para evitar que los humos regresen a la cocina por la campana extractora.
- Si el cable de alimentación está dañado, deberá ser reemplazado por el fabricante o por el servicio técnico con el fin de evitar riesgos.
- Si las instrucciones de instalación de la encimera de gas indican una distancia mayor que la indicada anteriormente, debe ser un dato a tomarse en cuenta. Deben cumplirse las normativas referentes a la descarga de aire.



## USO


- La campana extractora ha sido diseñada exclusivamente para uso doméstico, específicamente para eliminar los malos olores de la cocina.
- Nunca utilice la campana extractora para otros fines que no sean para los que ha sido diseñada.
- Durante el uso de la campana extractora, nunca deje llamas altas y abiertas debajo del artefacto.
- Ajuste la intensidad de la llama para dirigirla solo hacia el fondo de la sartén, asegurándose de que no sobresalga por los lados.
- Las freidoras deben ser supervisadas continuamente durante su uso: el aceite sobrecalentado puede iniciar llamas de fuego.
- No prenda fuego debajo de la campana extractora; existe peligro de incendio.
- Este aparato puede ser utilizado por niños de 8 años o más y personas con capacidad física, sensorial o mental, o con falta de experiencia y conocimiento, si han recibido supervisión o instrucciones sobre el uso del aparato de manera segura y entienden los peligros existentes.
- Los niños deben ser vigilados para asegurarse de que no jueguen con el aparato.
- La limpieza y el mantenimiento no deben ser realizados por niños sin supervisión.
- "PRECAUCIÓN: Las partes accesibles pueden calentarse cuando se usan con artefactos de cocina".

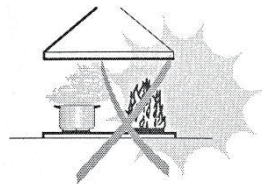


## MANTENIMIENTO

- Apague o desenchufe el artefacto de la red eléctrica antes de llevar a cabo cualquier trabajo de mantenimiento.
- Limpie y/o reemplace los filtros después del periodo de tiempo especificado (peligro de incendio).
- Limpie la campana extractora con un paño húmedo y un detergente líquido neutro.
- El artefacto utiliza como máximo 4 placas de cocción.



El símbolo  en el embalaje indica que este producto no puede considerarse como un residuo doméstico. Por consiguiente, será llevado al punto de recolección correspondiente para el reciclaje posterior de artefactos eléctricos y electrónicos. Al asegurarse de que este producto sea desechado correctamente, usted ayudará a evitar potenciales consecuencias negativas para el medio ambiente y la salud humana, que podría ser causada por el manejo inapropiado de los residuos domésticos. Para obtener más detalles sobre el reciclaje de este producto, comuníquese con las autoridades municipales de su ciudad local, el servicio de disposición de desechos domésticos o la tienda donde compró el producto.



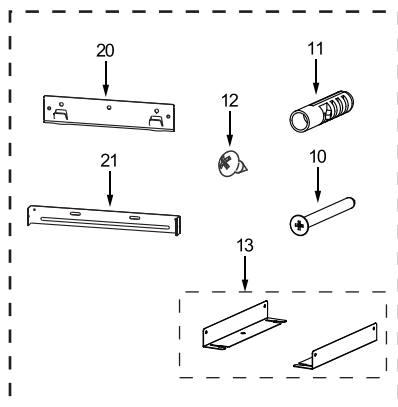
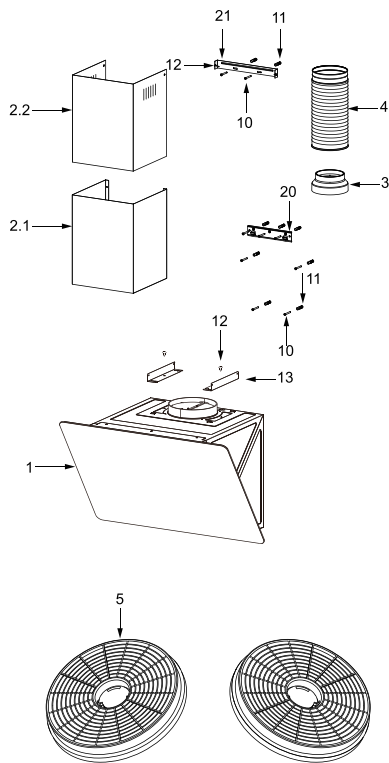


# COMPONENTES

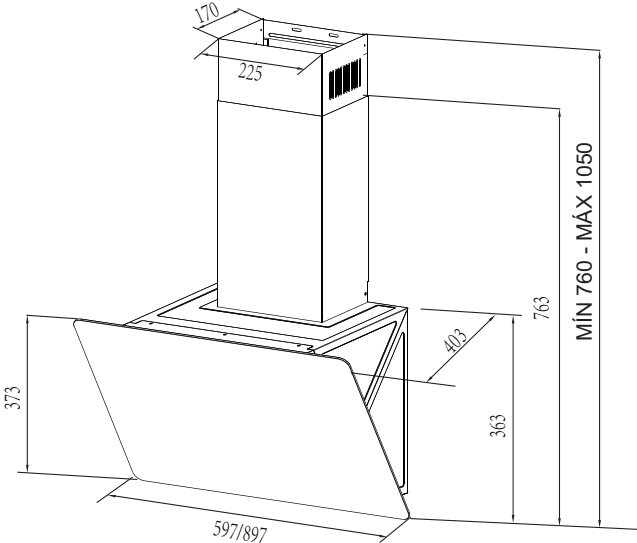
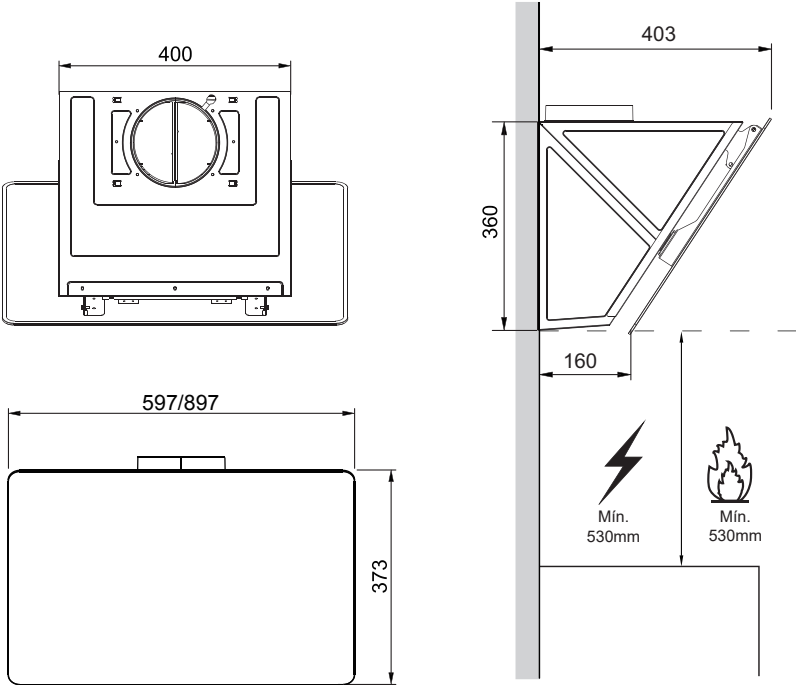
Ref.	Cantidad	Componentes del Producto
1	1	Cuerpo de la Campana extractora, completo con: Controles, Luz, Soplador, Filtro.
2.1	1	Chimenea decorativa inferior (opcional)
2.2	1	Chimenea decorativa superior (opcional)
3	1	Brida (opcional)
4	1	Tubo de Escape
5	2	El Filtro de Carbón Activado (opcional)

Ref.	Cantidad	Componentes de Instalación
10	7	Tornillos 5 x 50
11	7	Tacos de Expansión
12	6	Tornillos 4,2 x 9,5
13	2	Soporte de Montaje
20	1	Soporte de fijación de la campana extractora (opcional)
21	1	Soporte de fijación para chimenea (0/1 opcional)

Cantidad	Documentación
1	Manual de Instrucciones

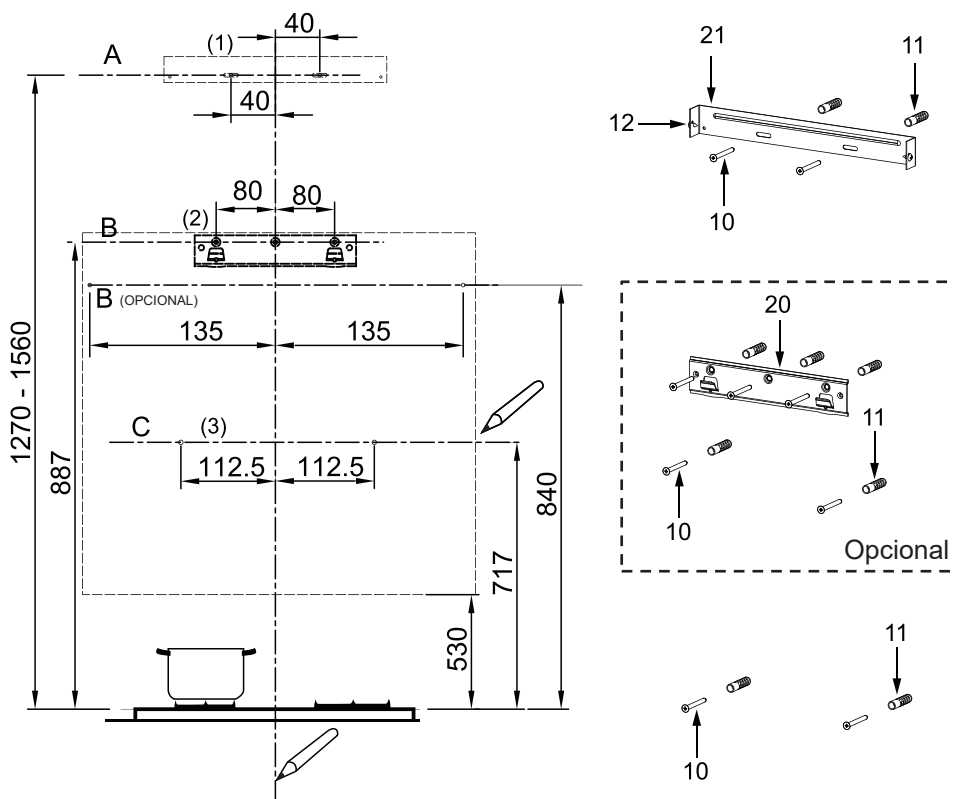


# DIMENSIONES



# INSTALACIÓN

## PERFORACIÓN DE PARED Y FIJACIÓN DE SOPORTES



**Como primer paso, proceda según los siguientes dibujos:**

- Una línea vertical hasta el techo o hasta el límite superior, en el centro de la zona en donde se instalará la campana extractora.
- Una línea horizontal **A** a **1270 – 1560** mm por encima de la superficie de la cocina.
- Una línea horizontal **B** a un mínimo de **887 (840 opcional)** mm por encima de la superficie de la cocina.
- Una línea horizontal **C** a un mínimo de **717** mm por encima de la superficie de la cocina.

**Marcado de Puntos:**

- Marque un punto **(1)** en la línea horizontal **A**, **40** mm a la derecha de la línea de referencia vertical.
- Repita el marcado en el otro lado, verificando que las dos marcas estén al mismo nivel.
- Marque un punto **(2)** en la línea horizontal **B**, **80 (135 opcional)** mm a la derecha de la línea de referencia vertical.
- Repita esta operación al otro lado y en la línea de referencia vertical, verificando que las tres marcas estén al mismo nivel.

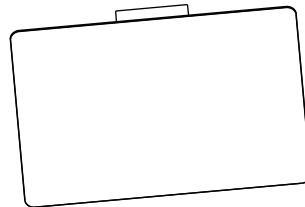
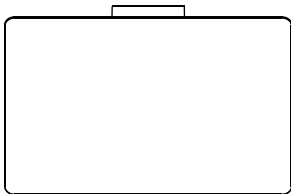
- Marque un punto **(3)** en la línea horizontal **C**, **112,5** mm a la derecha de la línea de referencia vertical.
- Repita esta operación al otro lado, verificando que las dos marcas estén en la misma línea horizontal.

**Fije los soportes (opcional):**

- Perfore los puntos marcados **(1)** **(2)** **(3)** con una broca de  $\phi 10$  mm.
- Inserte los tacos de expansión **11** en los orificios **(1)** **(2)** **(3)**.
- Fije el soporte de fijación de la campana extractora **20** con 3 tornillos **10** (5 x 50) proporcionados con la campana extractora.
- Fije un soporte de fijación para chimenea **21** con 2 tornillos **10** (5 x 50) proporcionados con la campana extractora.

**Enganche el cuerpo de la campana extractora:**

- Abra el panel.
- Retire el filtro de grasa metálico con las asas provistas.
- Enganche el cuerpo de la campana extractora al soporte **20**.
- Nivele el cuerpo de la campana extractora.




---

**Correcto**

**Incorrecto**

- Desde el interior del cuerpo de la campana extractora, fije los tornillos **10** a los tacos de expansión **11** en los puntos **(3)**.
- Coloque el filtro en la campana extractora.
- Cierre el panel.

## SELECCIONE UN MODO DE VENTILACIÓN

---

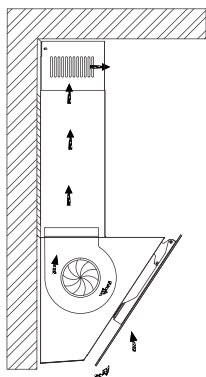
Aquí dos modos de ventilación, modo de extracción de aire y modo de recirculación, antes de instalar, seleccione un modo.

Modo de extracción de aire, el aire es descargado fuera de la casa mediante una tubería.

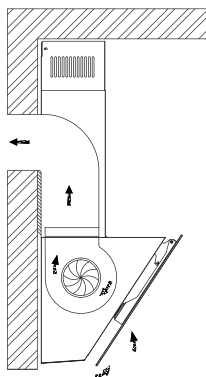
Modo de recirculación, el aire se purifica y se descarga en la casa a través de dos filas de agujeros en la cubierta decorativa ajustable.

Nota: Para el modo de recirculación, no se necesita tuberías, instale filtros de carbono.

Cuando el filtro de carbono está conectado, la potencia de succión se reducirá.



Modo de recirculación



Modo de extracción de aire

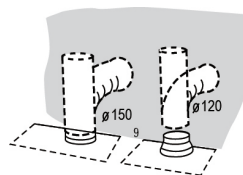
## CONEXIONES

---

### SISTEMA DE ESCAPE DE AIRE EN LA VERSIÓN CON DUCTOS

Al instalar la versión conductos, conecte la campana extractora a la chimenea utilizando un tubo flexible o rígido de  $\phi$  150 o  $\phi$  120 mm, cuya elección se deja a criterio del técnico profesional.

- Para instalar una conexión de escape de aire de  $\phi$  120 mm, inserte la brida reductora **3** en la salida del cuerpo de la campana extractora.
- Fije el tubo **4** en su posición utilizando suficientes abrazaderas de tubo (no incluidas).
- Retire los posibles filtros de carbón.

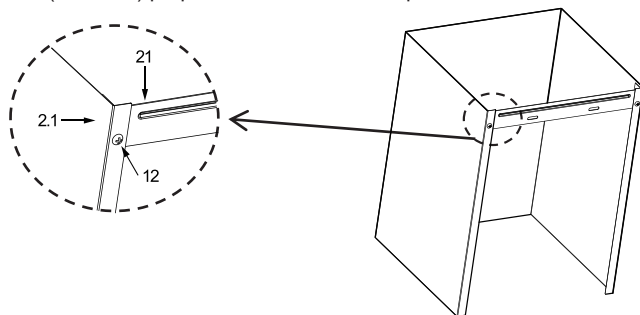


## CONJUNTO DE CHIMENEA

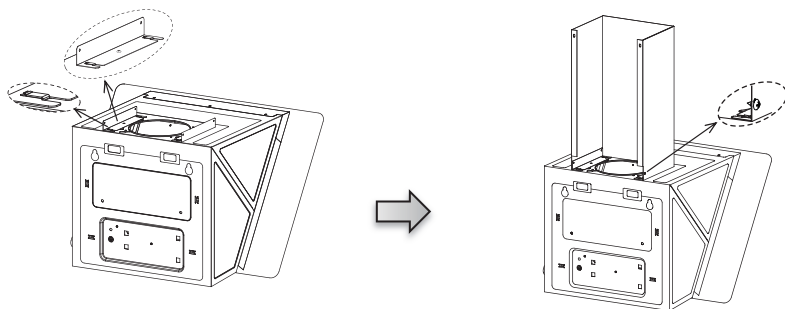
La chimenea solo se puede instalar con campana extractora.

### Chimenea Decorativa Inferior

- Fije un soporte de fijación de la chimenea **21** en la chimenea decorativa inferior con 2 tornillos **12** (4,2 x 9,5) proporcionados con la campana extractora.

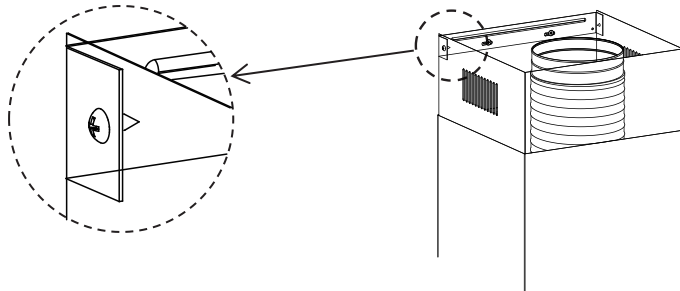


- Enganche los soportes 13 en el capó, y fíjarlos con 2 tornillos 12 (4,2 x 9,5), asegurándose de que estén bien colocados.
- Ensanche suavemente los dos lados de la chimenea inferior, y luego enganche entre los soportes 13, fije la chimenea inferior en los soportes 13 con 2 tornillos 12 (4,2 x 9,5) suministrados con la campana extractora.



### Chimenea Decorativa Superior

- Ensanche ligeramente los dos lados de la chimenea superior y engánchelos entre la pared y el soporte **21** que se fija en la chimenea decorativa inferior.
- Fije la chimenea superior al soporte **21** con 2 tornillos **12** (4,2 x 9,5) proporcionados con la campana extractora.



# USO

---



Botón	Función	Observaciones
	Enciende o apaga el sistema de iluminación.	Botón de encendido.
	Disminuye la velocidad del motor.	Cuando  +  están encendidos.
	Muestra el engranaje del ventilador "1, 2, 3".	Cuando el ventilador está en funcionamiento.
	Visualiza "0".	Modo de apagado retardado o modo de espera.
	Incrementa la velocidad del motor.	Cuando  + + están encendidos.
	Enciende el motor.	Cuando  está apagado.
	Apagado automático después de 3 minutos.	Cuando  está encendido.
	Apaga el motor.	Cuando  está parpadeando.

# Mantenimiento

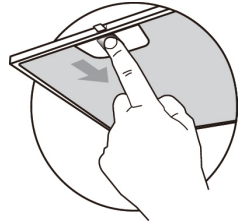
---

## FILTROS DE GRASA

---

### LIMPIEZA DE FILTROS DE GRASA METÁLICOS AUTOSOPORTANTES.

- Los filtros deben limpiarse cada 2 meses de operación, o más seguido si el uso es particularmente intenso, y pueden lavarse en un lavavajillas.
- Tire de los paneles frontales para abrirlos.
- Retire los filtros uno a uno empujándolos hacia la parte posterior de la unidad de campana extractora y al mismo tiempo jale hacia abajo.
- Evite cualquier tipo de flexión de los filtros al lavarlos. Antes de volver a instalarlos en la campana extractora, asegúrese de que estén completamente secos. (El color de la superficie del filtro puede cambiar con el tiempo, pero esto no influye en la eficacia del filtro).
- Al colocar los filtros en la campana extractora, verifique que estén montados en la posición correcta con el asa hacia afuera.
- Cierre el panel frontal.



## FILTRO DE CARBÓN ACTIVADO (VERSIÓN DE RECIRCULACIÓN)

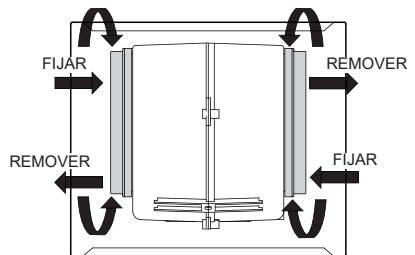
---

Los filtros no son lavables y no se pueden regenerar, es por eso que deben reemplazarse aproximadamente cada 4 meses de funcionamiento, o con mayor frecuencia con un uso intensivo.

### REEMPLAZO DEL FILTRO DE CARBÓN ACTIVADO

---

- Abra los paneles frontales tirando de ellos hacia abajo.
- Retire los filtros de grasa metálicos
- Retire el filtro de carbón activado saturado.
- Instale los filtros nuevos.
- Reemplace los filtros de grasa metálicos.
- Cierre el panel frontal






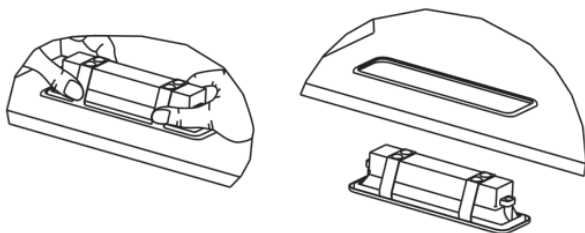
# ILUMINACIÓN

## REEMPLAZO DE LA LUZ

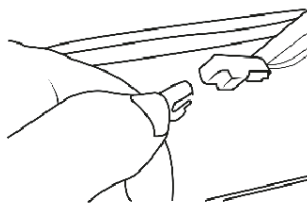
### Luz LED de 1,5W.

- Apague la campana extractora y aisle la campana extractora desenchufando la fuente de alimentación o desconectando el fusible.
- Retire el filtro de grasa.
- Retire la luz haciendo palanca en el accesorio del cuerpo de la campana extractora (es posible que sea necesario aplicar presión o fuerza para esta acción).

	Potencia máxima	Voltaje	Imagen	Tapa de Lámpara	Código ILCOS D
Módulos LED con balasto propio	1,5 W	DC 12 V	 Cuadrado/Diámetro: 33,2mmx120mm	/	DBS-1.5-S-33.2/120



- Desconecte el conector de la luz.
- Reemplace por una luz nueva del mismo tipo y asegúrese de conectar la luz correctamente con el cable de luz.
- Vuelva a instalar la luz en el cuerpo de la campana extractora.



## DISPOSICIÓN DE ARTEFACTOS ELÉCTRICOS ANTIGUOS

---



La directiva europea 2012/19/UE sobre residuos de artefactos eléctricos y electrónicos (RAEE) exige que los artefactos eléctricos domésticos antiguos no sean desechados junto a otros residuos municipales comunes sin antes clasificarlos. Los artefactos antiguos deben recolectarse por separado para optimizar la recuperación y el reciclaje de los materiales que contienen y reducir el impacto en la salud humana y el medio ambiente.

El símbolo de "ciclo de reciclaje" tachado en el producto le recuerda su obligación, para que cuando deseche el artefacto, este sea separado según su categoría.

Los consumidores deben contactar a las autoridades municipales locales o algún minorista para obtener información sobre la disposición correcta de su artefacto antiguo.

## SOLUCIÓN DE PROBLEMAS

Fallo	Causa	Solución
Luz encendida, pero el motor no funciona	Las cuchillas están bloqueadas.	
	El condensador está dañado.	Reemplace el condensador.
	El motor está dañado.	Reemplace el motor.
	El cableado interno del motor está cortado/ desconectado. Puede producirse un olor desagradable.	Reemplace el motor.
Tanto la luz como el motor no funcionan	Aparte de lo indicado anteriormente, verifique lo siguiente:	
	Luz dañada.	Reemplazo de las luces.
	Cable de alimentación suelto.	Conecte los cables según el diagrama eléctrico.
Fuga de aceite	La salida y la entrada de ventilación de aire no están lo suficientemente selladas.	Quite la salida y selle con pegamento.
	Fuga de la conexión de la sección en forma de U y la tapa.	Baje la sección en forma de U y séllela con jabón o pintura
Vibración	La cuchilla, si está dañada, puede provocar vibraciones.	Reemplace la cuchilla.
	El motor no está bien asegurado.	Asegure el motor firmemente.
	La campana extractora no está bien fijada.	Fijación de la campana extractora.
Succión insuficiente	La distancia entre la campana extractora y la placa de cocción es demasiado amplia.	Reajuste la distancia.
	Excesiva ventilación por puertas o ventanas abiertas.	Elija un nuevo lugar para instalar el artefacto o cierre algunas puertas / ventanas.
El artefacto se inclina	Los tornillos de fijación no están lo suficientemente ajustados.	Ajuste el tornillo de fijación y déjelo en posición horizontal.
	Los tornillos para colgar el artefacto no están lo suficientemente ajustados	Ajuste el tornillo para colgar y colóquelo en posición horizontal.

El fabricante declinará toda responsabilidad si las recomendaciones e instrucciones anteriormente indicadas sobre la instalación, mantenimiento y uso no han sido observadas y respetadas para el uso de la campana extractora.