



Refrigerator
BOTTOM MOUNTED FREEZER SERIES

USER MANUAL

MDRB424FGE01I

MDRB424FGE02I

Warning notices: Before using this product, please read this manual carefully and keep it for future reference. The design and specifications are subject to change without prior notice for product improvement. Consult with your dealer or manufacturer for details.
The diagram above is just for reference. Please take the appearance of the actual product as the standard.

LANGUAGES

EN	English
DE	Deutsch
FR	Français
IT	Italiano
ES	Español
PT	Português
PL	Polski
CZ	Čeština
HU	Magyar
SK	Slovensky
SR	Srpski
HR	Hrvatski
SL	Slovenščina
RO	Română
BG	Български
AL	Shqip
GR	Ελληνικά

THANK YOU LETTER

Thank you for choosing Midea! Before using your new Midea product, please read this manual thoroughly to ensure that you know how to operate the features and functions that your new appliance offers in a safe way.

EN

CONTENTS

THANK YOU LETTER	01
SPECIFICATIONS	02
PRODUCT OVERVIEW	03
PRODUCT INSTALLATION	04
OPERATION INSTRUCTIONS	11
CLEANING AND MAINTENANCE	15
TROUBLESHOOTING	17
APPENDIX	19
DOC AND CERTIFICATIONS	21

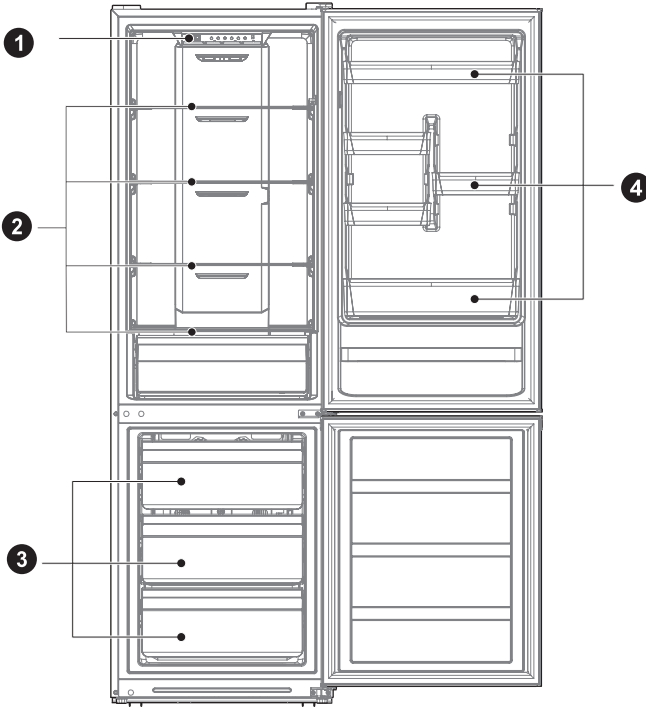
SPECIFICATIONS

Product model	MDRB424FGE01I MDRB424FGE02I
Fresh Food Storage Compartment Volume	224L
Frozen Food Storage Volume	86L
Defrosting Type	Auto-defrost
Temperature Rise Time	8h
Freezing Capacity	3.9kg/24h
Rated Voltage	220-240V-
Rated Current	0.8A
Overall Dimension (H x W x D)	1880x595x630mm

EN

PRODUCT OVERVIEW

Names of components



1 Drawer

2 Shelf

3 Drawer

4 Door tray

ATTENTION

The picture above is only for reference. The actual configuration will depend on the physical product or statement by the distributor.

PRODUCT INSTALLATION

EN

Install Instruction

For refrigerating appliances with climate class

- Depending on the climate class, This refrigerating appliance is intended to be used at ambient temperatures range as specified following table.
- The climate class can be found on the rating plate. The product may not operate properly at temperatures outside of the specific range.
- You can find the climate class on the product label.

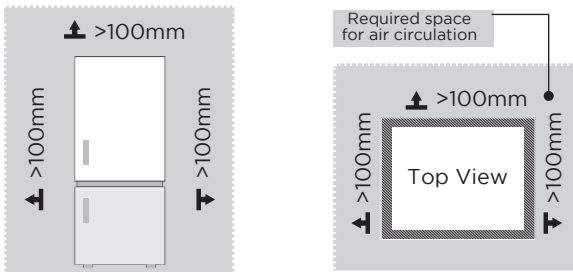
Effective temperature range

- The product is designed to operate normally in the temperature range specified by its class rating.

Class	Symbol	Ambient temperature range °C	
		IEC 62552 (ISO 15502)	ISO 8561
Extended temperate	SN	+ 10 to + 32	+ 10 to + 32
Temperate	N	+ 16 to + 32	+ 16 to + 32
Subtropical	ST	+ 16 to + 38	+ 18 to + 38
Tropical	T	+ 16 to + 43	+ 18 to + 43

Dimensions and Clearances

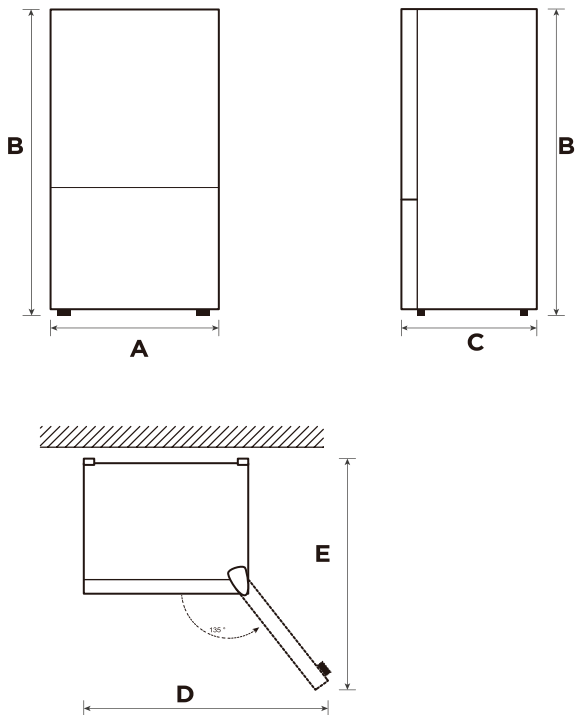
- Too small of a distance from adjacent items may result in the degradation of freezing capability and increased electricity costs. Allow over 100 mm of clearance from each adjacent wall when installing the appliance.



ATTENTION

The picture above is only for reference. The actual configuration will depend on the physical product or statement by the distributor.

Space requirement diagram (when the door is open and when the door is closed)



Width	Overall Height	Depth	Width doors open 135°	Depth doors open 135°
A	B	C	D	E
595	1880	630	988	1074

Notice: All dimensions in mm

Door right-left change (optional)

Based on the location where you plan to use your refrigerator, you may find it more convenient to reverse the position of the door.

CAUTION

CAUTION: To avoid injury to yourself or your property, we recommend that someone assist you during the door reversal process.

Preparing to reverse the door position

You will need: A standard screwdriver, a Phillips screwdriver, and the included Allen wrench.

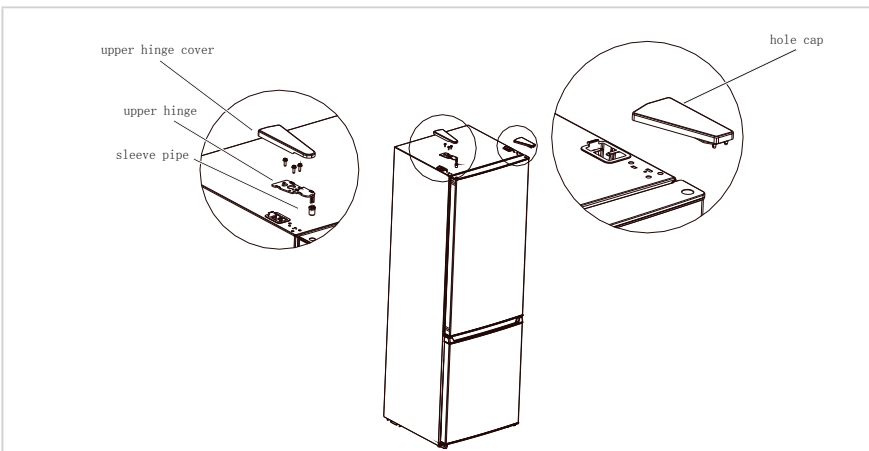
- Make sure that your refrigerator is unplugged and empty.
- Have someone available to assist you in the process.
- Keep all of the parts you remove to reuse them later.

Tools needed for changing the door:

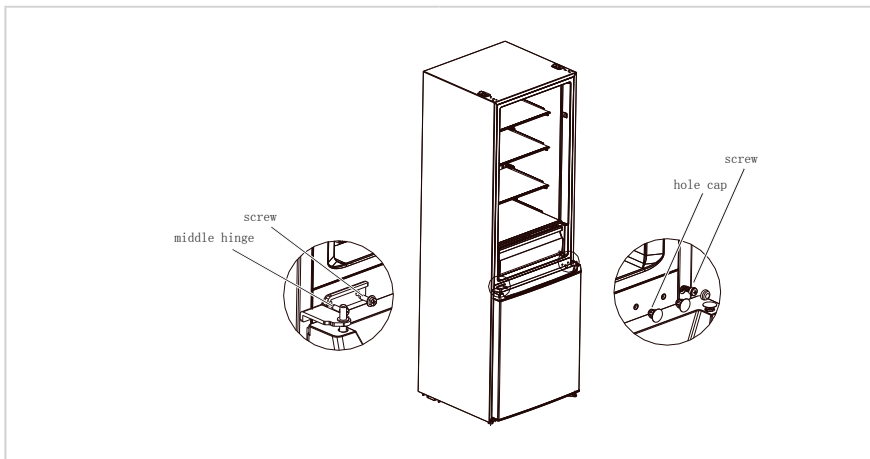


Step

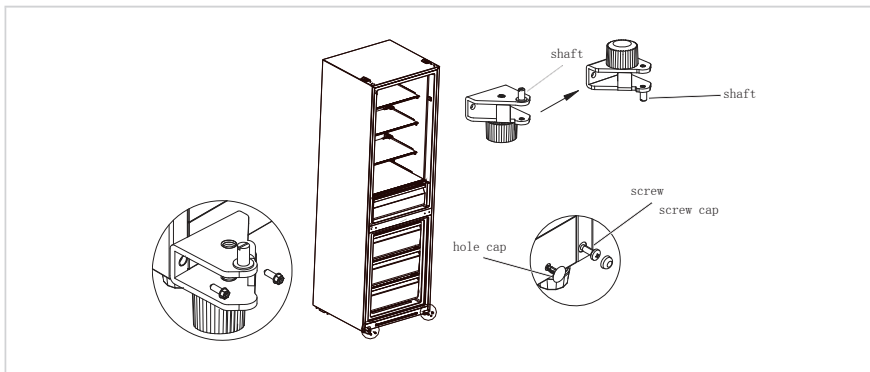
1. Power off this refrigerator, and remove all objects from the door trays.
2. Dismantle upper hinge cover, upper hinge and hole cap of the other side, remove the refrigerating door.



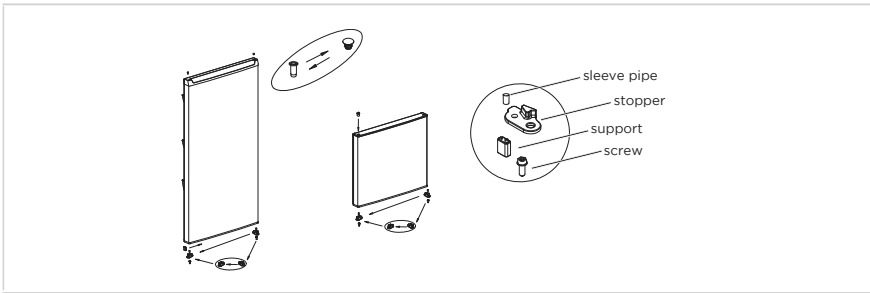
3. Dismantle the middle hinge, the screws, the screws hole caps and remove the freezer door.



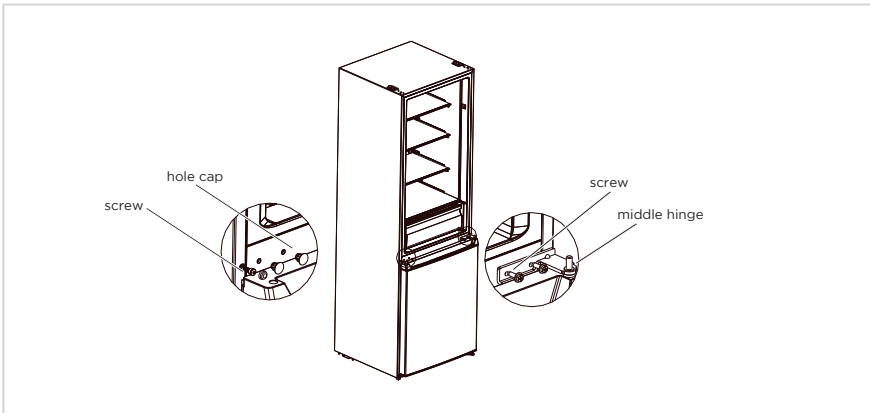
4. Dismantle the bottom hinge, hole caps and screws, Install the bottom hinge shaft and adjust foot on other side of the bottom hinge, then install the hinge on the other side.



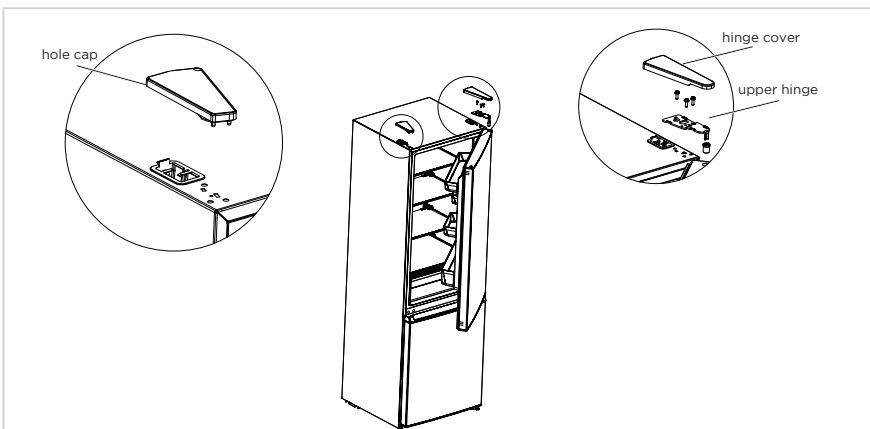
5. Dismantle the screw, sleeve pipe and stopper from the refrigerating door and freezer door, and the support on the lower cover of the refrigerating door is also removed. Then install them on the other side of the doors in order. (Take out the bottom stopper from accessories package)
6. Exchange the position of sleeve pipe and hole cap at the top cover of refrigerating door, and install the upper hinge sleeve on the freezer door to the hole on the other side of axis sleeve.



7. Put the refrigerating chamber door on middle hinge and install upper hinge, hinge cover.



8. Put the refrigerating door on the middle hinge, install the upper hinge, hinge cover and hole cap.



ATTENTION

The picture above is only for reference. The actual configuration will depend on the physical product or statement by the distributor.

Placement

- Before use, remove all packing materials, including bottom cushions, foam pads and tapes inside of the refrigerator; tear off the protective film on the doors and the refrigerator body.
- Keep away from heat and avoid direct sunlight. Do not place the freezer in moist or watery places to prevent rust or reduction of insulating effect.
- Do not spray or wash the refrigerator; do not put the refrigerator in moist places easy to be splashed with water so as not to affect the electrical insulation properties of the refrigerator.
- The refrigerator is placed in a well-ventilated indoor place; the ground shall be flat, and sturdy (rotate left or right to adjust the wheel for leveling if unstable).



Leveling feet

To avoid vibration, the unit must be leveled.

If required, adjust the leveling screws to compensate for the uneven floor.

The front should be slightly higher than the rear to aid in door closing.

Leveling screws can be turned easily by tipping the cabinet slightly.

Turn the leveling screws counterclockwise  to raise the unit, clockwise  to lower it.

Moving the appliance

1. Remove all food from inside the appliance.
2. Pull the power plug out, insert and fix it into the power plug hook at the rear or on top of the appliance.
3. Tape parts such as shelves and the door handle to prevent from falling off while moving the appliance.
4. Move the appliance with more than two people carefully. When transporting the appliance over a long distance, keep the appliance upright.
5. After installing the appliance, connect the power plug into a socket out to switch on the appliance.

ATTENTION

Precautions before operation:

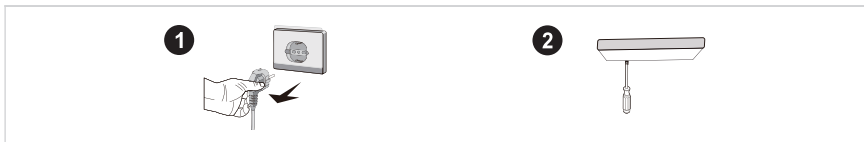
Before making changes the refrigerator must be disconnected from power. precautions should be taken to prevent any personal injury.

Changing the light

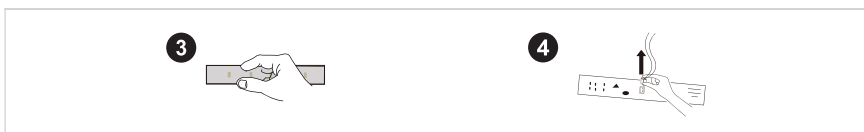
- Any replacement or maintenance of the LED lamps is intended to be made by the manufacturer, its service agent or similar qualified person. This product contains a light source of energy efficiency class <F>.

Step

- Please take out the plug before removal.
- Remove the lampshade with a screwdriver



- Take down the lamp panel.
- Remove the connection terminal.



Connecting the appliance

Before initial start, keep the refrigerator still for half an hour before connecting it to power supply.

ATTENTION

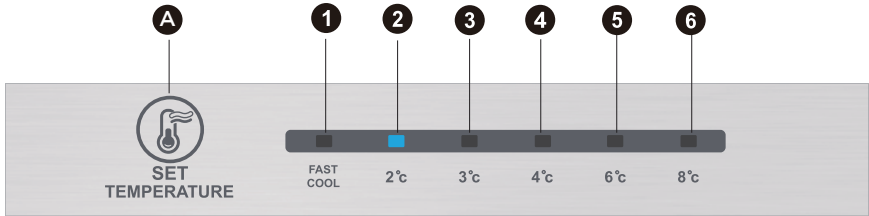
Before putting any fresh or frozen foods, the refrigerator shall have run for 2-3 hours, or for above 4 hours in summer when the ambient temperature is high.

Tips for energy saving

- The appliance should be located in the coolest area of the room, away from heat producing appliances or heating ducts, and out of the direct sunlight.
- Let hot foods cool to room temperature before placing in the appliance. Overloading the appliance forces the compressor to run longer. Foods that freeze too slowly may lose quality, or spoil.
- Be sure to wrap foods properly, and wipe containers dry before placing them in the appliance. This cuts down on frost build-up inside the appliance.
- Appliance storage bin should not be lined with aluminum foil, wax paper, or paper toweling. Liners interfere with cold air circulation, making the appliance less efficient.
- Organize and label food to reduce door openings and extended searches. Remove as many items as needed at one time, and close the door as soon as possible.

OPERATION INSTRUCTIONS

Control panel



ATTENTION

The picture above is only for reference. The actual configuration will depend on the physical product or statement by the distributor.

Key

A Temperature setting button

Display screen

1	temperature setting 1
2	temperature setting 2
3	temperature setting 3
4	temperature setting 4
5	temperature setting 5
6	temperature setting 6

Display

When power-on the refrigerator, the display screen (including the key light) will shine in full for 3s, then the refrigerator runs according to temperature setting 3.

Display of normal running

On the occurrence of a failure, the corresponding LED light will give a combined display of failure code (in recycling display);

Where there is no failure, the LED light will display the existing temperature setting.

● ATTENTION

The actual control panel may differ from model to model.

EN

Operating instructions

Gear setting

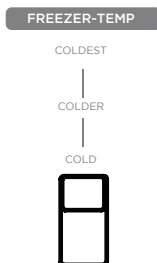
- The temperature setting will be changed once every time when you press the key SET. Then, the refrigerator will run under the new setting value after 15s.
Setting 1 → Setting 2 → Setting 3 → Setting 4 → Setting 5 → Setting 6 → Setting 1 →

Fast cool mode:

- Enter: Circulating modulation rapid cooling mode.
- Operate: Indicator of rapid cooling lights up, and the refrigerator operates at 2°C.
- Fast cool mode automatically disabled for 24H.
- Fast cool function can be used as Super freezing function.

Adjustment of manual air damper knob

- Turn the air damper slider up, the actual temperature inside the freezer room will drop, turn the air damper slider down, the actual temperature inside the freezer room will rise.



Error code

- The following warnings appearing on the display indicate corresponding faults of the refrigerator. Though the refrigerator may still have cooling and freezing function with the following faults, the user shall contact a maintenance specialist for maintenance, so as to ensure normal use of the refrigerator.

Fault Code	Fault Description
The LED 1 and LED 2 lit	Refrigerator temperature sensor circuit
The LED 1 and LED 3 lit	Freezer defrost sensor
The LED 1 and LED 4 lit	Ambient temperature sensor

ATTENTION

Note: The quick-freezing function is designed to maintain the nutritional value of the food in the freezer. It can freeze the food in the shortest time. If a large amount of food is frozen at one time, it is recommended that the user turn on the quick-freezing function and put the food in. At this time, the freezing speed of the freezer compartment is increased, which can quickly freeze the food, effectively lock the nutrition of the food, and facilitate storage.

Refrigerating chamber

- The Refrigerating Chamber is suitable for storage of a variety of fruits, vegetables, beverages and other food consumed in the short term, suggested storage time 3days to 5days.
- Cooking foods shall not be put in the refrigerating chamber until cooled to room temperature.
- Foods are recommended to be sealed up before putting into the refrigerator.
- The glass shelves can be adjusted up or down for a reasonable amount of storage space and easy use.

Freezing chamber

- The low temperature freezing chamber may keep food fresh for a long time and it is mainly used to store frozen foods and making ice.
- The freezing chamber is suitable for storage of meat, fish, rice balls and other foods not to be consumed in short term.
- Chunks of meat are preferably to be divided into small pieces for quick freezing and easy access. Please be noted food shall be consumed within the shelf time.

ATTENTION

Note: Storage of too much food during operation after the initial connection to power may adversely affect the freezing effect of the refrigerator.

Order	Compartments TYPE	Target storage temp. [°C]	Appropriate food
1	Fridge	+2 - +8	Eggs, cooked food, packaged food, fruits and vegetables, dairy products, cakes, drinks and other foods are not suitable for freezing.
2	(***)*-Freezer	≤-18	Seafood (fish, shrimp, shellfish), freshwater aquatic products and meat products (recommended for 3 months, the longer the storage time, the worse the taste and nutrition), suitable for frozen fresh food.
3	***-Freezer	≤-18	Seafood (fish, shrimp, shellfish), freshwater aquatic products and meat products (recommended for 3 months, the longer the storage time, the worse the taste and nutrition), suitable for frozen fresh food.
4	**-Freezer	≤-12	Seafood (fish, shrimp, shellfish), freshwater aquatic products and meat products (recommended for 3 months, the longer the storage time, the worse the taste and nutrition), suitable for frozen fresh food.
5	*-Freezer	≤-6	Seafood (fish, shrimp, shellfish), freshwater aquatic products and meat products (recommended for 3 months, the longer the storage time, the worse the taste and nutrition), suitable for frozen fresh food.
6	0-star	-6 - 0	Fresh pork, beef, fish, chicken, some packaged processed foods, etc. (Recommended to eat within the same day, preferably no more than 3 days). Partially encapsulated processed foods (non-freezable foods).
7	Chill	-2 - +3	Fresh/ frozen pork, beef, chicken, freshwater aquatic products, etc. (7 days below 0°C and above 0°C is recommended for consumption within that day, preferably no more than 2 days).Seafood (less than 0 for 15 days, it is not recommended to store above 0°C.
8	Fresh food	0 - +4	Fresh pork, beef, fish, chicken, cooked food, etc. (Recommended to eat within the same day, preferably no more than 3 days)
9	Wine	+5 - +20	Red wine, white wine, sparkling wine, etc.

ATTENTION

please store different foods according to the compartments or target storage temperature of your purchased.

CLEANING AND MAINTENANCE

Overall cleaning

- Dusts behind the refrigerator and on the ground shall be timely cleaned to improve the cooling effect and energy saving.
- Check the door gasket regularly to make sure there are no debris. Clean the door gasket with a soft cloth dampened with soapy water or diluted detergent.
- The interior of the refrigerator should be cleaned regularly to avoid odor.
- Please turn off the power before cleaning interior, remove all foods, drinks, shelves, drawers, etc.
- Use a soft cloth or sponge to clean the inside of the refrigerator, with two tablespoons of baking soda and a quart of warm water. Then rinse with water and wipe clean. After cleaning, open the door and let it dry naturally before turning on the power.
- For areas that are difficult to clean in the refrigerator (such as narrow sandwiches, gaps or corners), it is recommended to wipe them regularly with a soft rag, soft brush, etc. and when necessary, combined with some auxiliary tools (such as thin sticks) to ensure no contaminants or bacterials accumulation in these areas.
- Do not use soap, detergent, scrub powder, spray cleaner, etc., as these may cause odors in the interior of the refrigerator or contaminated food.
- Clean the bottle frame, shelves and drawers with a soft cloth dampened with soapy water or diluted detergent. Dry with a soft cloth or dry naturally.
- Wipe the outer surface of the refrigerator with a soft cloth dampened with soapy water, detergent, etc., and then wipe dry.
- Do not use hard brushes, clean steel balls, wire brushes, abrasives (such as toothpastes), organic solvents (such as alcohol, acetone, banana oil, etc.), boiling water, acid or alkaline items, which may damage the fridge surface and interior. Boiling water and organic solvents such as benzene may deform or damage plastic parts.
- Do not rinse directly with water or other liquids during cleaning to avoid short circuits or affect electrical insulation after immersion.

ATTENTION

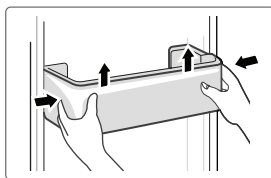
Please unplug the refrigerator for defrost and cleaning.

Defrosting

- The refrigerator is made based on the air-cooling principle and thus has automatic defrosting function. Frost formed due to change of season or temperature may also be manually removed by disconnection of the appliance from power supply or by wiping with a dry towel.

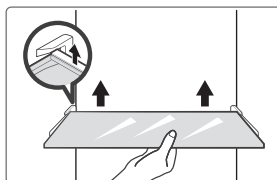
Cleaning of door tray

- According to the direction arrow in the figure below, use both hands to squeeze the tray, and push it upward, then you can take it out.
- After washing the tray having been taken out, you can adjust its installing height in accordance with your requirement.



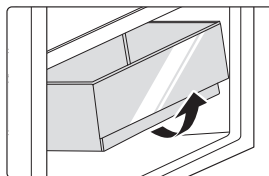
Cleaning of glass shelf

- As the innermost part of the refrigerator liner where contacting the shelves has a backstop, you shall raise the shelves upward, then you can be able to take it out.
- Adjust or clean the shelves according to your requirement.



Cleaning the vegetable drawer

1. Remove the contents of the drawer. Hold the handle of the vegetable drawer and pull it out completely until it stops.
2. Lift the vegetable drawer up and remove it by pulling it out.



Out of operation

Power failure:

In case of power failure, even if it is in summer, foods inside the appliance can be kept for several hours; during the power failure, the times of door opening shall be reduced, and no more fresh food shall be put into the appliance.

Long-time nonuse:

The appliance shall be unplugged and then cleaned; then the doors are left open to prevent odor.

Moving:

Before the refrigerator is moved, take all objects inside out, fix the glass partitions, vegetable holder, freezing chamber drawers and etc. with tape, and tighten the leveling feet; close the doors and fix them with tape. During moving, the appliance shall not be laid upside down or horizontally, or be vibrated; the inclination during movement shall be no more than 45°.

● ATTENTION

The appliance shall run continuously once it is started. Generally, the operation of the appliance shall not be interrupted; otherwise the service life may be impaired.

TROUBLESHOOTING

The following simple issues can be handled by the user. Please call the after-sale service department if the issues are not solved.

Problem	Possible reason
Failed operation	<ul style="list-style-type: none"> • Check whether the appliance is connected to power or whether the plug is in well contact
	<ul style="list-style-type: none"> • Check whether the voltage is too low
	<ul style="list-style-type: none"> • Check whether there is a power failure or partial circuits have tripped
Odor	<ul style="list-style-type: none"> • Odorous foods shall be tightly wrapped
	<ul style="list-style-type: none"> • Check whether there is any rotten food
	<ul style="list-style-type: none"> • Clean the inside of the refrigerator
Long-time operation of the compressor	<ul style="list-style-type: none"> • Long operation of the refrigerator is normal in summer when the ambient temperature is high
	<ul style="list-style-type: none"> • It is not suggestible having too much food in the appliance at the same time
	<ul style="list-style-type: none"> • Food shall get cool before being put into the appliance
	<ul style="list-style-type: none"> • The doors are opened too frequently
Light fails to get lit	<ul style="list-style-type: none"> • Check whether the refrigerator is connected to power supply and whether the illuminating light is damaged
	<ul style="list-style-type: none"> • Have the light replaced by a specialist
Door can not be properly closed	<ul style="list-style-type: none"> • The door is stuck by food packages
	<ul style="list-style-type: none"> • The refrigerator is tilted.
Loud noises	<ul style="list-style-type: none"> • Check whether the floor is level and whether the refrigerator is placed stably
	<ul style="list-style-type: none"> • Check whether accessories are placed at proper locations

Problem	Possible reason
Door seal fails to be tight	<ul style="list-style-type: none"> • Remove foreign matters on the door seal • Heat the door seal and then cool it for restoration (or blow it with an electrical drier or use a hot towel for heating)
Water pan overflows	<ul style="list-style-type: none"> • There is too much food in the chamber or food stored contains too much water,resulting in heavy defrosting • The doors are not closed properly, resulting in frosting due to entry of air and increased water due to defrosting
Hot housing	<ul style="list-style-type: none"> • Heat dissipation of the built-in condenser via the housing, which is normal When housing becomes hot due to high ambient temperature, storage of too much food or shutdown of the compressor is shut down, provide sound ventilation to facilitate heat dissipation
Surface condensation	<ul style="list-style-type: none"> • Condensation on the exterior surface and door seals of the refrigerator is normal when the ambient humidity is too high. Just wipe the condensate with a clean towel.
Abnormal noise	<ul style="list-style-type: none"> • Buzz: The compressor may produce buzzes during operation, and the buzzes are loud particularly upon start or stop. This is normal. • Creak: Refrigerant flowing inside of the appliance may produce creak, which is normal.

APPENDIX

Special for new European standard

The ordered parts in the following table can be acquired from Service provider channel

Ordered part	Provided by	Minimum time required for Provision
Thermostats	Professional maintenance personnel	At least 7 years after the last model is launched on the market
Temperature sensors	Professional maintenance personnel	At least 7 years after the last model is launched on the market
Printed circuit boards	Professional maintenance personnel	At least 7 years after the last model is launched on the market
Light sources	Professional maintenance personnel	At least 7 years after the last model is launched on the market
Door handles	Professional repairers and final users	At least 7 years after the last model is launched on the market
Door hinges	Professional repairers and final users	At least 7 years after the last model is launched on the market
Trays	Professional repairers and final users	At least 7 years after the last model is launched on the market
Baskets	Professional repairers and final users	At least 7 years after the last model is launched on the market
Door gaskets	Professional repairers and final users	At least 10 years after the last model is launched on the market

Dear customer

1. If you want to return or replace the product, please contact the store where you buy.

(Remember to bring the purchase invoice)

2. If your product breaks down which needs to repair, please contact after-sales service provider.

ATTENTION

The model information in the product database, as well as the model identifier, can be obtained through a weblink scanned by a QR code, if any, on the energy efficiency label of the product.

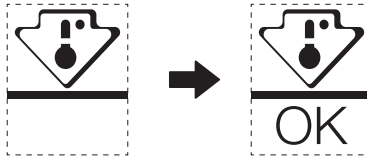
For more information about the energy efficiency of the appliance, visit <https://ec.europa.eu> and search using the model name.

The model name can be found on the rating label of the appliance.

Coldest zone in the refrigerator

OPTIONAL: OK-temperature indicator

- The OK-temperature indicator can be used to determine temperatures below +4°C. Gradually reduce the temperature if the sign does not indicate "OK".



- To ensure the temperature in this area, do not change the positioning of the shelf. In forced air refrigerators (equipped with a fan or No Frost models), the symbol of the coldest zone is not represented because the temperature inside is homogeneous.

Temperature indicator setting

- To help you set your refrigerator well, it is equipped with a temperature indicator that will monitor the average temperature in the coldest zone.
- **WARNING:** This indicator is intended to work only with your refrigerator, do not use it in another refrigerator (in fact, the coldest zone is not the same), or for any other use.

Checking the temperature in the coldest zone

- With the temperature indicator, you can check regularly that the temperature of the coldest zone is correct. Indeed, the internal temperature of the refrigerator depends on several factors such as the ambient temperature of the room, the amount of food stored and the frequency of door opening. Take these factors into consideration when setting the device.
- When the indicator shows « OK », this means that your thermostat is well adjusted and the internal temperature correct.
- If the indicator of temperature turns WHITE, this means that the temperature is too high; in this case, increase the refrigerator temperature control setting and wait for 12 hours before performing a new visual inspection of the indicator. When fresh food has been introduced or the door has been left open, it is possible for the indicator of temperature to turn WHITE after a while.

DOC AND CERTIFICATIONS

Declaration of Conformity

We hereby confirm that the following customer model names and Midea model names match each other respectively.

Brand	Midea Model	Marketing Model	Factory Model
Midea	HD-403RWENJ	MDRB424FGE01I	CE-BCD310WE-JT
Midea	HD-403RWENJ	MDRB424FGE02I	CE-BCD310WE-JT

Manufacturer's Name: Guangzhou Midea Hualing Refrigerator Co., Ltd.
Manufacturer's Address: No. 5 Xinguangsi Road, Qianfeng Zhujiang, Nansha District, Guangzhou City, Guangdong Province, P.R.China

We, Guangzhou Midea Hualing Refrigerator Co., Ltd., hereby declare that the above-mentioned products comply with the above-mentioned currently valid regulations and standards.

DANKE

Vielen Dank, dass Sie sich für Midea entschieden haben! Bevor Sie Ihr neues Midea-Produkt in Betrieb nehmen, lesen Sie bitte dieses Handbuch aufmerksam durch, damit Sie wissen, wie Sie die Funktionen Ihres neuen Geräts auf sichere Weise nutzen können.

INHALTSVERZEICHNIS

DE

DANKE	01
SPEZIFIKATION	02
PRODUKTÜBERSICHT	03
PRODUKTINSTALLATION	04
BETRIEBSANLEITUNG	11
REINIGUNG UND WARTUNG	15
FEHLERBEHEBUNG	17
ANHANG	19
DOKUMENTATION UND ZERTIFIZIERUNGEN	21

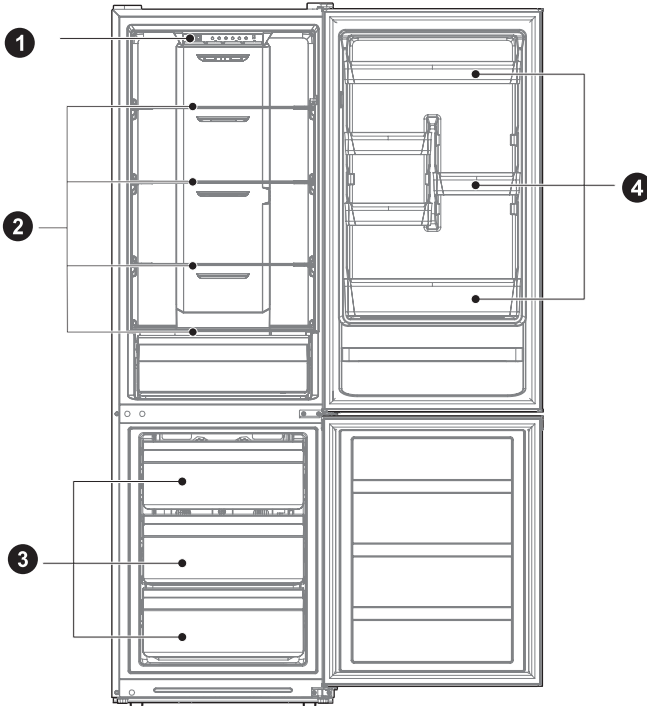
SPEZIFIKATION

Produktmodell	MDRB424FGE01 MDRB424FGE02
Fassungsvermögen des Frischkostfaches	224 L
Fassungsvermögen des Gefrierkostfaches	86 L
Abtautyp	Automatisches Abtauen
Temperaturanstiegszeit	8 h
Gefrierkapazität	3,9 kg/24h
Nennspannung	220-240 V-
Nennstrom	0,8 A
Gesamtabmessung (H x B x T)	1880 x 595 x 630 mm

DE

PRODUKTÜBERSICHT

Komponentenbezeichnung



- 1 Schubfach
- 2 Ablagefach

- 3 Schubfach
- 4 Türablage

ACHTUNG

Die vorstehende Abbildung dient lediglich als Referenz. Die vorhandene Konfiguration ist vom tatsächlichen Produkt oder den Angaben des Lieferanten abhängig.

PRODUKTINSTALLATION

Installationsanleitung

Für Kühlgeräte mit Klimaklasse

- In Abhängigkeit von der Klimaklasse ist diese Gefriertruhe für den Einsatz in dem Temperaturbereich bestimmt, der in nachstehender Tabelle angegeben ist.
- Die Klimaklasse finden Sie auf dem Typenschild. Außerhalb des angegebenen Temperaturbereiches arbeitet das Gerät u. U. nicht ordnungsgemäß.
- Die Klimaklasse finden Sie auf dem Produktetikett.

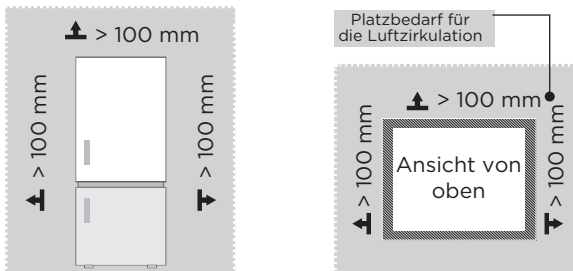
Effektiver Temperaturbereich

- Das Produkt wurde entwickelt, um in dem bei seiner Klimaklasse angegebenen Temperaturbereich normal zu arbeiten.

Klasse	Symbol	Umgebungstemperaturbereich °C	
		IEC 62552 (ISO 15502)	ISO 8561
Kaltgemäßigt	SN	+10 bis +32	+10 bis +32
Kühlgemäßigt	N	+16 bis +32	+16 bis +32
Subtropisch	ST	+16 bis +38	+18 bis +38
Tropisch	T	+16 bis +43	+18 bis +43

Abmessungen und Abstände

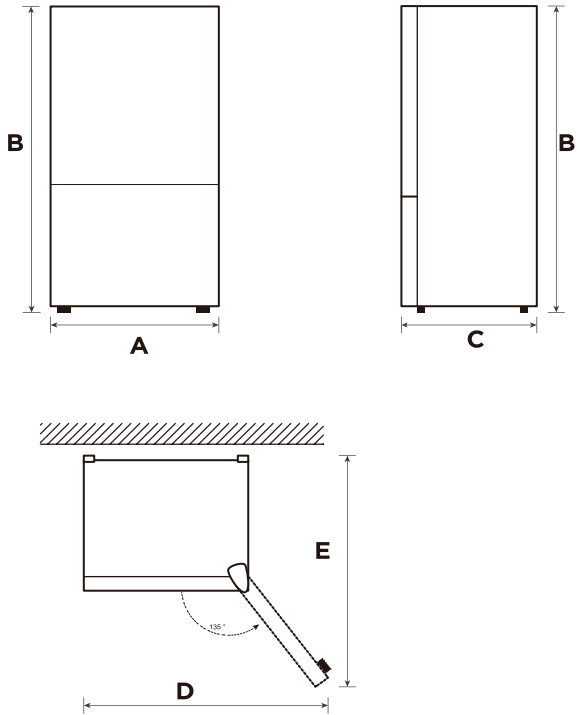
- Ein zu geringer Abstand zu benachbarten Gegenständen kann zu einer Verschlechterung der Gefrierleistung und erhöhten Stromkosten führen. Lassen Sie bei der Installation des Geräts einen Abstand von mehr als 100 mm zu jeder angrenzenden Wand.



⚠ ACHTUNG

Die vorstehende Abbildung dient lediglich als Referenz. Die vorhandene Konfiguration ist vom tatsächlichen Produkt oder den Angaben des Lieferanten abhängig.

Platzbedarfsdiagramm (bei geöffneter und geschlossener Tür)



DE

Breite	Gesamthöhe	Tiefe	Breite bei geöffneten Türen 135°	Tiefe bei geöffneten Türen 135°
A	B	C	D	E
595	1880	630	988	1074

Hinweis: Alle Abmessungen in mm

Türanschlag wechseln (optional)

Je nach geplantem Aufstellungsort Ihres Kühlschranks ist es für Sie möglicherweise praktischer, den Türanschlag zu wechseln.

ACHTUNG

VORSICHT: Zur Vermeidung von Verletzungen und Sachschäden sollten Sie sich während des Wechsels des Türanschlags von einer weiteren Person helfen lassen.

Wechsel des Türanschlags vorbereiten

Sie benötigen: Einen herkömmlichen Schraubendreher, einen Kreuzschraubendreher und den mitgelieferten Inbusschlüssel.

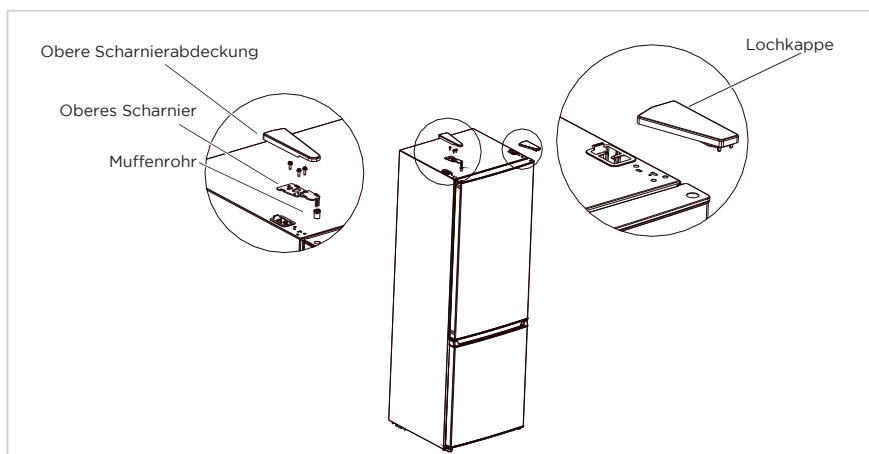
- Achten Sie darauf, dass Ihr Kühlschrank vom Stromnetz getrennt und geleert ist.
- Lassen Sie sich von einer anderen Person helfen.
- Bewahren Sie alle Teile, die Sie entfernen, zur künftigen Verwendung auf.

Zum Wechseln des Türanschlags benötigte Werkzeuge:

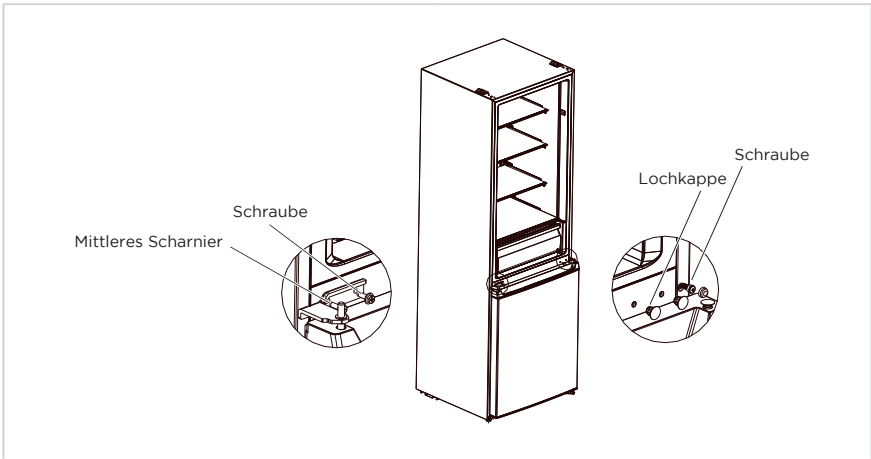


Schritt

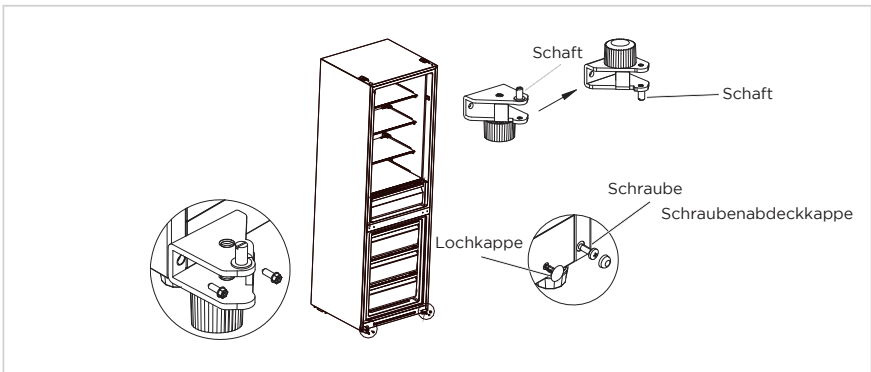
1. Schalten Sie den Kühlschrank aus und nehmen Sie alle Gegenstände aus dem Kühlschrank heraus, die sich in den Türfächern befinden.
2. Demontieren Sie die obere Scharnierabdeckung, trennen Sie die Signalkabel, das obere Scharnier und die Lochkappe der anderen Seite. Entfernen Sie die Kühlschranktür.



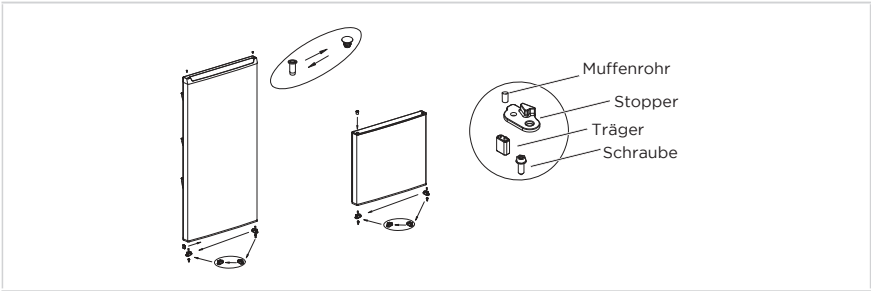
3. Entfernen Sie das mittlere Scharnier, die Schrauben, die Schraubenlochabdeckungen und die Tiefkühlschranktür.



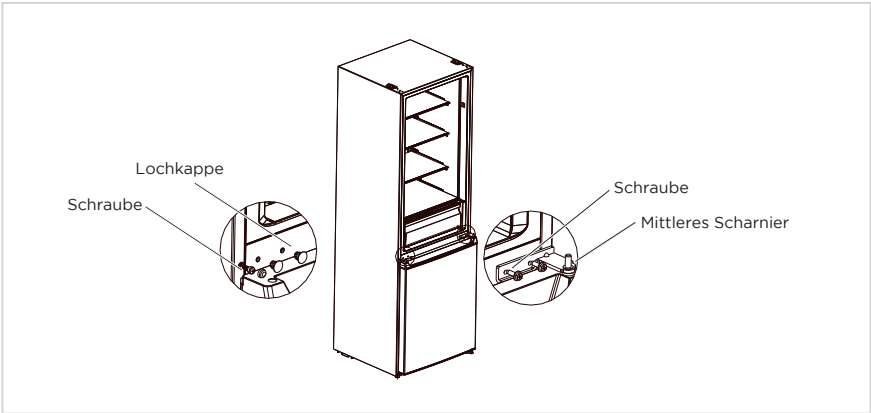
4. Demontieren Sie unteres Scharnier, Lochkappen und Schrauben, installieren Sie den unteren Scharnierschaft und passen Sie den Fuß an der anderen Seite des unteren Scharniers an. Installieren Sie dann das Scharnier auf der anderen Seite.



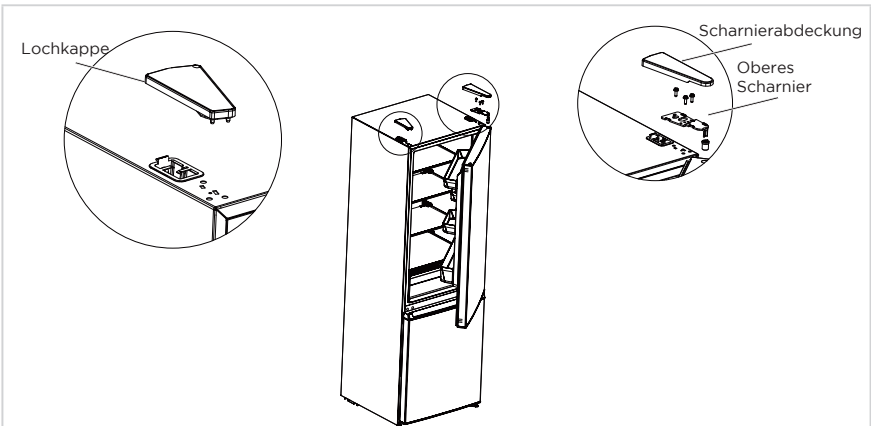
5. Entfernen Sie Schraube, Muffenrohr und Stopper von der Tür des Kühl- und Tiefkühlbereichs sowie die Stütze an der unteren Abdeckung der Tür des Kühlbereichs. Installieren Sie diese dann der Reihe nach auf der anderen Seite der Türen. (Nehmen Sie den unteren Stopper aus dem Zubehöropaket.)
6. Tauschen Sie die Position des Muffenrohrs und der Lochabdeckung der oberen Abdeckung der Kühlschranktür aus und montieren Sie die obere Scharnierhülse der Tiefkühlschranktür an dem Loch auf der gegenüberliegenden Seite der Längsachsenhülse.



7. Platzieren Sie die Tür des Tiefkühlbereichs am unteren Scharnier, installieren Sie das mittlere Scharnier, die Schrauben und die Schraubenlochkappen.



8. Setzen Sie die Kühlschrantür auf das mittlere Scharnier und montieren Sie dann das obere Scharnier, die obere Scharnierabdeckung und die Lochabdeckung.



● ACHTUNG

Die vorstehende Abbildung dient lediglich als Referenz. Die vorhandene Konfiguration ist vom tatsächlichen Produkt oder den Angaben des Lieferanten abhängig.

Aufstellen

- Entfernen Sie vor der Erstbenutzung des Kühlschranks jegliches Verpackungsmaterial einschließlich der unteren Dämpfung, der Schaumstoffpads und des Klebebandes im Inneren des Kühlschranks und ziehen Sie dann die Schutzfolie der Türen und des Kühlschrankgehäuses ab.
- Stellen Sie die Gefriertruhe fern von Hitze oder direkter Sonneneinstrahlung auf. Stellen Sie die Gefriertruhe nicht an feuchten oder nassen Orten auf, um Rost oder eine Verminderung der isolierenden Wirkung zu vermeiden.
- Sprühen oder waschen Sie den Kühlschrank nicht ab; stellen Sie den Kühlschrank nicht an Plätzen mit hoher Luftfeuchtigkeit und auch dort nicht auf, wo er leicht Spritzwasser ausgesetzt sein kann, um nicht die elektrischen Isolationseigenschaften des Kühlschranks zu gefährden.
- Stellen Sie den Kühlschrank in einem gut belüfteten Raum auf, in dem der Boden eben und stabil ist (drehen Sie die Nivellierfüße in oder gegen Uhrzeigersinn, um den Kühlschrank auszunivellieren, wenn er unstabil stehen sollte).



Nivellierfüße

Zur Vermeidung von Vibrationen muss das Gerät waagrecht stehen.

Passen Sie bei Bedarf die Nivellierschrauben an, um unebene Böden auszugleichen.

Die Vorderseite sollte etwas höher sein als die Rückseite, um das Schließen der Tür zu unterstützen.

Nivellierschrauben können mühelos gedreht werden, indem Sie den Schrank leicht kippen.

Drehen Sie die Nivellierschrauben zum Anheben des Gerätes gegen den Uhrzeigersinn  und zum Anheben im Uhrzeigersinn .

Gerät bewegen

1. Entfernen Sie sämtliche Lebensmittel aus dem Gerät.
2. Ziehen Sie den Netzstecker und stecken Sie ihn in den Steckerhaken an der Rück- oder Oberseite des Gerätes.
3. Kleben Sie Teile, wie Ablagen und Türgriff, fest, damit sie beim Bewegen des Gerätes nicht herunterfallen.
4. Bewegen Sie das Gerät vorsichtig und mindestens zu zweit. Halten Sie das Gerät beim Transport über weite Strecken aufrecht.
5. Schließen Sie den Netzstecker nach Installation des Gerätes an eine Steckdose an, um das Gerät einzuschalten.

ACHTUNG

Sicherheitsmaßnahmen vor der Inbetriebnahme:

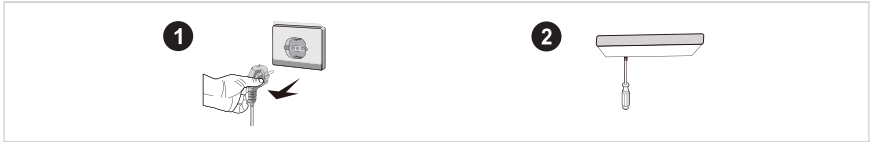
Bevor Sie Änderungen am Kühlschrank vornehmen, müssen Sie ihn vom Stromnetz trennen. Ergreifen Sie Vorsichtsmaßnahmen zum Schutz vor Verletzungen.

Licht ändern

- Eine Auswechslung oder Wartung der LED-Leuchtmittel muss vom Hersteller, seinem Servicemitarbeiter oder einer ähnlich qualifizierten Person durchgeführt werden. Dieses Produkt enthält ein Leuchtmittel der Energieeffizienzklasse <F>.

Schritt

1. Ziehen Sie vor dem Entfernen den Stecker.
2. Entfernen Sie den Lampenschirm mit einem Schraubendreher.



3. Nehmen Sie den Lampensockel herunter.
4. Trennen Sie die Steckverbindung.



Gerät anschließen

Lassen Sie den Kühlschrank eine halbe Stunde still stehen, bevor Sie ihn am Stromnetz anschließen.

⚠ ACHTUNG

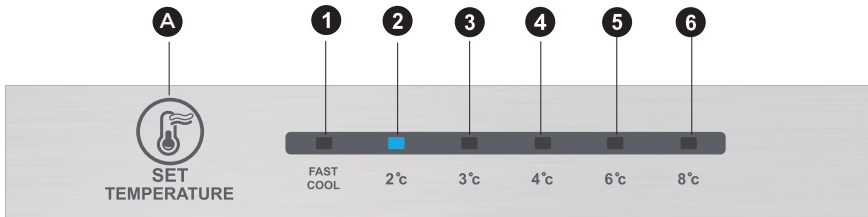
Der Kühlschrank muss 2 - 3 Stunden und im Sommer bei hohen Umgebungstemperaturen mindestens 4 Stunden laufen, bevor Sie frische oder gefrorene Lebensmittel in den Kühlschrank legen/stellen können.

Tipps zum Energiesparen

- Das Gerät sollte im kühlestem Bereich des Raumes fern von wärmeerzeugenden Geräten, Wärmeleitungen und direkter Sonneneinstrahlung aufgestellt werden.
- Lassen Sie heiße Nahrungsmittel erst auf Zimmertemperatur abkühlen, bevor Sie sie in das Kühlgerät stellen. Durch Überladen des Kühlgeräts wird der Kompressor gezwungen, länger zu laufen. Nahrungsmittel, die zu langsam gefrieren, können an Qualität einbüßen oder sogar verderben.
- Vergewissern Sie sich, dass Sie die Nahrungsmittel ordentlich eingewickelt haben und wischen Sie deren Aufbewahrungsbehälter ganz trocken, bevor Sie sie in das Kühlgerät legen/stellen. Das reduziert die Frostbildung im Inneren des Kühlgeräts.
- Das Innere oder Körbe dürfen nicht mit Aluminiumfolie, Wachspapier oder Papierhandtüchern ausgekleidet werden. Durch Abdecken wird die Kaltluftzirkulation behindert, wodurch die Effizienz des Kühlgeräts sinkt.
- Ordnen und beschriften Sie die Nahrungsmittel, um einem unnötig Öffnen der Tür und einem zu langen Suchen im Kühlgerät entgegenzuwirken. Nehmen Sie pro Türöffnung nur die wirklich benötigte Menge an Nahrungsmitteln heraus und schließen Sie anschließend so schnell wie möglich die Tür wieder.

BEDIENUNGSANWEISUNGEN

Bedienfeld



⚠ ACHTUNG

Die vorstehende Abbildung dient lediglich als Referenz. Die vorhandene Konfiguration ist vom tatsächlichen Produkt oder den Angaben des Lieferanten abhängig.

Taste

A	Alarm- / Ein-/Austaste
---	------------------------

Displayanzeige

1	Temperatureinstellung 1
2	Temperatureinstellung 2
3	Temperatureinstellung 3
4	Temperatureinstellung 4
5	Temperatureinstellung 5
6	Temperatureinstellung 6

Display

Beim Einschalten des Kühlschranks leuchtet der Bildschirm (einschließlich der Tastenbeleuchtung) 3 Sekunden lang vollständig auf. Anschließend läuft der Kühlschrank bei Temperatureinstellung 3.

Anzeige des normalen Betriebs

Bei Auftreten eines Fehlers zeigt die entsprechende LED durch Kombination einen Fehlercode (Recycling-Anzeige).

Wenn kein Fehler vorliegt, zeigt die LED die vorhandene Temperatureinstellung.

⚠ ACHTUNG

Das tatsächliche Bedienfeld kann sich je nach Modell unterscheiden.

Bedienungsanweisungen

Stufeneinstellung

- Die Temperatureinstellung ändert sich mit jeder Betätigung der Taste SET. Nach 15 Sekunden läuft der Kühlschrank dann unter den neuen Einstellungswerten.

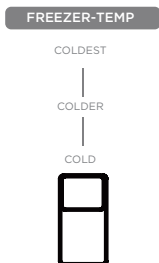
Einstellung 1 → Einstellung 2 → Einstellung 3 → Einstellung 4 → Einstellung 5 → Einstellung 6 → Einstellung 1 →

Schockkühlmodus:

- Wechseln in diesen Modus: Zirkulationsmodulation Schockkühlmodus.
- Bedienen: Anzeige der Schockkühlung leuchtet auf und der Kühlschrank arbeitet bei 2 °C.
- Schockkühlmodus wird 24 Stunden lang automatisch deaktiviert.
- Schockkühlfunktion kann als Supertiefkühlfunktion genutzt werden.

Manuellen Luftbefeuchter-Knopf anpassen

- Drehen Sie den Luftbefeuchter-Regler nach oben und die tatsächliche Temperatur im Tiefkühlbereich fällt; drehen Sie den Luftbefeuchter-Regler nach unten und die tatsächliche Temperatur im Tiefkühlbereich steigt.



Fehlercode

- Die auf dem Display angezeigten Warnungen weisen Sie auf Fehler des Kühlschranks hin. Auch wenn der Kühlschrank noch seine Kühl- oder Gefrierfunktion besitzt, müssen Sie sich beim Auftreten eines Fehlers mit einem/-r Servicetechniker/-in zwecks Wartung/Instandsetzung in Verbindung setzen, um den optimierten Betrieb des Kühlschranks sicherstellen zu können.

Fehlercode	Fehlerbeschreibung
LED 1 und LED 2 leuchten	Kühlschranktemperatursensor
LED 1 und LED 3 leuchten	Tiefkühlschrankabtausensor
LED 1 und LED 4 leuchten	Umgebungstemperatursensor

⚠ ACHTUNG

Hinweis: Die Schnellfrostfunktion wurde entwickelt, um den Nährwert der Nahrungsmittel im Tiefkühlschrank zu bewahren. Sie kann die Nahrungsmittel in kürzester Zeit einfrieren. Wenn eine große Menge Nahrungsmittel gleichzeitig eingefroren werden soll, aktivieren Sie die Schockfrostfunktion und geben Sie die Nahrungsmittel hinein. Die Gefriergeschwindigkeit des Gefrierbereichs wird erhöht, wodurch Nahrungsmittel schneller einfrieren, Nährstoffe effektiv eingeschlossen werden und die Aufbewahrung vereinfacht wird.

Kühlbereich

- Der Kühlbereich ist für die Aufbewahrung von Obst, Gemüse, Getränken und anderen Nahrungsmitteln geeignet, die in kurzer Zeit verbraucht werden. Die empfohlene max. Aufbewahrungszeit beträgt 3 bis 5 Tage.
- Zubereitete Lebensmittel dürfen erst dann in den Kühlbereich gestellt/gelegt werden, nachdem Sie auf Zimmertemperatur abgekühlt sind.
- Früchte sollten mit Folie abgedeckt/umwickelt werden, bevor Sie in den Kühlschrank gelegt/gestellt werden.
- Die Glasablagefächer können in der Höhe nach oben und unten hin an die aufzubewahrenden Nahrungsmittel angepasst werden.

Gefrierschubfach

- Im Gefrierschubfach können Sie Lebensmittel für lange Zeit frisch halten. Es wird hauptsächlich für die Aufbewahrung von Gefriergut sowie zur Eisherstellung verwendet.
- Das Gefrierschubfach ist für die Aufbewahrung von Nahrungsmitteln wie beispielsweise Fleisch, Fisch, Reisbällchen usw. geeignet, die nicht in kurzer Zeit verbraucht werden.
- Größere Fleischstücke sollten dabei für schnelles gefrieren und einfache Entnehmbarkeit in kleine handliche Portionen zerteilt werden. Beachten Sie, dass Lebensmittel vor dem Verfalldatum verzehrt werden müssen.

ACHTUNG

Hinweis: Die Aufbewahrung von zu vielen Nahrungsmitteln kurz nach der Erstinbetriebnahme kann den Gefriereffekt des Kühlschranks negativ beeinflussen.

Reihenfolge	Fächer TYP	Zieltemp. [°C]	Geeignete Lebensmittel
1	Kühlschrank	+2 - +8	Eier, gekochte Lebensmittel, verpackte Lebensmittel, Obst und Gemüse, Milchprodukte, Kuchen, Getränke und andere Lebensmittel eignen sich nicht als Gefrierkost.
2	(***)*-Gefrierschrank	≤-18	Meeresfrüchte (Fisch, Garnelen, Schalentiere), Süßwasserprodukte und Fleischprodukte (empfohlen für 3 Monate, je länger gelagert, desto schlechter der Geschmack und der Nährwert), eignen sich als gefrorene Frischkost.
3	***-Gefrierschrank	≤-18	Meeresfrüchte (Fisch, Garnelen, Schalentiere), Süßwasserprodukte und Fleischprodukte (empfohlen für 3 Monate, je länger gelagert, desto schlechter der Geschmack und der Nährwert), eignen sich als gefrorene Frischkost.
4	** -Gefrierschrank	≤-12	Meeresfrüchte (Fisch, Garnelen, Schalentiere), Süßwasserprodukte und Fleischprodukte (empfohlen für 3 Monate, je länger gelagert, desto schlechter der Geschmack und der Nährwert), eignen sich als gefrorene Frischkost.
5	*-Gefrierschrank	≤-6	Meeresfrüchte (Fisch, Garnelen, Schalentiere), Süßwasserprodukte und Fleischprodukte (empfohlen für 3 Monate, je länger gelagert, desto schlechter der Geschmack und der Nährwert), eignen sich als gefrorene Frischkost.
6	0 Sterne	-6 - 0	Frisches Schweine-, Rind- und Hühnerfleisch, Fisch, einige verpackte verarbeitete Lebensmittel usw. (Es wird empfohlen, diese am selben Tag zu verzehren, vorzugsweise nicht später als nach 3 Tagen). Teilweise eingekapselte verarbeitete Lebensmittel (nicht gefrierbare Lebensmittel).
7	Kühlen	-2 - +3	Frisches/gefrorenes Schweine-, Rind- und Hühnerfleisch, Süßwasserprodukte, usw. (7 Tage unter 0°C und über 0°C wird für den Verzehr am selben Tages empfohlen, vorzugsweise nicht später als nach 2 Tagen). Meeresfrüchte (weniger als 0 für 15 Tage, es wird nicht empfohlen, sie über 0°C zu lagern).
8	Frischkost	0 - +4	Frisches Schweine-, Rind- und Hühnerfleisch, Fisch, gekochte, Lebensmittel usw. (Es wird empfohlen, diese am selben Tag zu verzehren, vorzugsweise nicht später als nach 3 Tagen).
9	Wein	+5 - +20	Rotwein, Weißwein, Sekt, usw.

ACHTUNG

Bitte lagern Sie die verschiedenen Lebensmittel den Fächern entsprechend oder der angestrebten Lagertemperatur des gekauften Produkts.

REINIGUNG UND WARTUNG

Gesamtreinigung

- Staub hinter dem Kühlschrank und auf dem Boden muss regelmäßig entfernt werden, um den Kühleffekt effizient zu halten und Energie zu sparen.
- Überprüfen Sie regelmäßig die Türdichtung, um sicherzustellen, dass Sie nicht verschmutzt ist. Reinigen Sie die Türdichtung mit einem weichen, mit Seifenlauge oder verdünntem Reinigungsmittel angefeuchteten Tuch.
- Der Innenraum des Kühlschranks sollte regelmäßig gereinigt werden, um der Geruchsentwicklung vorzubeugen.
- Bitte schalten Sie den Kühlschrank aus, bevor Sie alle Nahrungsmittel, Getränke, Ablagefächer, Einschübe usw. herausnehmen und den Kühlschrank reinigen.
- Benutzen Sie ein weiches Tuch oder einen weichen Schwamm zusammen mit in 1 Liter Wasser gelösten 2 TL Backpulver, um den Kühlschrankinnenraum zu reinigen. Spülen Sie sie dann mit Wasser ab und wischen Sie sie anschließend trocken. Öffnen Sie nach der Reinigung die Gerätetür, damit der Innenraum auf natürliche Weise trocknen kann, bevor Sie das Gerät wieder am Stromnetz anschließen.
- Für die schwer zu reinigenden Bereiche des Kühlschranks (wie z. B. Einengungen, Zwischenräume oder Ecken) ist es empfehlenswert, sie mit einem weichen Lappen, einer weichen Bürste o. ä. zu reinigen. Setzen Sie sie bei Bedarf in Kombination mit weiteren zusätzlichen Hilfsmitteln (wie z. B. dünne Stäbchen) ein, um sicherzustellen, dass sich in diesen Bereichen keine Verschmutzungen oder Bakterien ansammeln.
- Verwenden Sie weder Seife, Spülmittel, Reinigungspulver, Reinigungssprays usw., weil diese im Innenraum des Kühlschranks Gerüche verursachen oder Reinigungsmittel verunreinigen können.
- Reinigen Sie die Flaschenfächer, Ablagefächer und Einschübe mit einem weichen, mit Seifenlauge oder verdünntem Reinigungsmittel angefeuchteten Tuch. Wischen Sie sie anschließend mit einem weichen Tuch trocken oder lassen Sie sie auf natürliche Weise trocknen.
- Wischen Sie die Außenseite des Kühlschranks mit einem weichen Tuch ab, das mit einer Seifenlösung, einem Reinigungsmittel usw. benetzt wurde und wischen Sie ihn anschließend trocken.
- Verwenden Sie für die Reinigung des Kühlschranks keine harten Bürsten, Stahltopfreiniger, Drahtbürsten, Scheuermittel (wie beispielsweise Zahnpasta), organische Reinigungsmittel (wie beispielsweise Alkohol, Aceton, Bananenöl usw.), kochendes Wasser oder saure/basische Mittel, weil diese die Oberfläche und/oder den Innenraum des Kühlschranks angreifen können. Durch kochendes Wasser und organische Lösungsmittel wie beispielsweise Benzen können sich die Kunststoffteile verformen oder beschädigt werden.
- Spülen Sie während der Reinigung niemals direkt mit Wasser oder anderen Flüssigkeiten, um einem Kurzschluss oder einer Beeinträchtigung der elektrischen Isolationseigenschaften vorzubeugen.

ACHTUNG

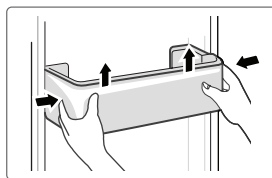
Bitte trennen Sie zum Abtauen und für die Reinigung den Kühlschrank vom Stromnetz.

Abtauen

- Der Kühlschrank arbeitet nach dem Luftkühlungsprinzip und besitzt somit auch eine automatische Abtaufunktion. Sie können aber den Frost auch manuell entfernen, der sich aufgrund von Jahreszeitenwechsel oder Temperaturschwankungen bildet. Trennen Sie hierfür das Gerät vom Stromnetz oder wischen Sie ihn mit einem trockenen Handtuch weg.

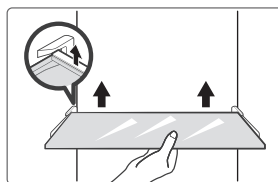
Reinigung der Türablage

- Drücken Sie die Ablage mit beiden Händen wie durch die Pfeile in nachstehender Abbildung angegeben zusammen und drücken Sie sie anschließend nach oben. Anschließend können Sie die Ablage herausnehmen.
- Reinigen Sie die Ablage gründlich und setzen Sie sie dann in der gewünschten Höhe wieder ein.



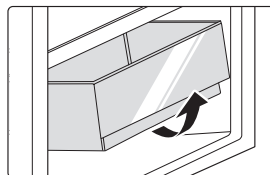
Reinigung der Glasablage

- Heben Sie die Ablagen an der hinteren Seite der Glasablage dort an, wo die Sicherung der Glasablage in der Halterung liegt und nehmen Sie anschließend die Glasablage heraus.
- Reinigen Sie die Glasablage und setzen Sie sie anschließend in der gewünschten Höhe wieder ein.



Reinigung der Gemüseschublade

1. Nehmen Sie den Inhalt der Schublade heraus. Halten Sie die Gemüseschublade am Griff fest und ziehen Sie sie vollständig bis zum Anschlag heraus.
2. Heben Sie die Gemüseschublade an und ziehen Sie sie heraus.



Außer-Betrieb-Zustand

Stromausfall:

Bei einem Stromausfall können Nahrungsmittel selbst im Sommer im Inneren des Geräts mehrere Stunden lang aufbewahrt werden, wobei die Tür so wenig wie nur möglich geöffnet werden sollte und keine weiteren frischen Nahrungsmittel in den Kühlschrank gelegt/gestellt werden dürfen.

Nichtbenutzung über längere Zeit:

Sie müssen das Gerät vom Stromnetz trennen und anschließend reinigen. Lassen Sie danach die Kühlschranktüren geöffnet, um einer Geruchsbildung vorzubeugen.

Transport:

Nehmen Sie alle Gegenstände vor einem Transport des Kühlschranks heraus und fixieren Sie alle Glasteile, Gemüsehalter, Gefrierfachschubfächer usw. mit Klebeband. Ziehen Sie zudem die Nivellierfüße fest, schließen Sie die Türen und fixieren Sie sie ebenfalls mit Klebeband. Während des Transports darf das Gerät weder kopfüber stehen noch horizontal liegen oder Vibrationen ausgesetzt werden. Die Neigung während des Transports darf 45° nicht überschreiten.

⚠ ACHTUNG

Das Gerät muss nach der Inbetriebnahme ununterbrochen laufen. Grundsätzlich darf der Betrieb des Geräts nicht unterbrochen werden. Durch Missachtung kann die Lebensdauer verkürzt werden.

FEHLERBEHEBUNG

Die nachstehenden einfachen Probleme können durch den/die Benutzer/-in selbst behoben werden. Wenn das Problem anschließend immer noch bestehen sollte, dann setzen Sie sich bitte mit der Kundendienstabteilung in Verbindung.

Problem	Mögliche Ursache
Kein Betrieb	<ul style="list-style-type: none"> Überprüfen Sie, ob das Gerät am Stromnetz angeschlossen ist und der Netzstecker ordnungsgemäß in der Netzsteckdose steckt.
	<ul style="list-style-type: none"> Überprüfen Sie, ob die Netzspannung zu gering ist.
	<ul style="list-style-type: none"> Überprüfen Sie, ob ein Stromausfall vorliegt, ein Schutzscharter ausgelöst wurde oder eine Sicherung durchgebrannt ist.
Gerüche	<ul style="list-style-type: none"> Geruchsintensive Nahrungsmittel müssen gut eingepackt werden.
	<ul style="list-style-type: none"> Überprüfen Sie, ob sich verdorbene Nahrungsmittel im Kühlschrank befinden.
	<ul style="list-style-type: none"> Reinigen Sie den Innenbereich des Kühlschranks
Langes Laufen des Kompressors	<ul style="list-style-type: none"> Ein langes Laufen des Kühlschrankkompressors ist im Sommer dann normal, wenn die Umgebungstemperatur hoch ist.
	<ul style="list-style-type: none"> Es ist nicht empfehlenswert, zu viele Nahrungsmittel gleichzeitig im Kühlschrank aufzubewahren.
	<ul style="list-style-type: none"> Nahrungsmittel müssen ausreichend genug abgekühlt sein, bevor sie in den Kühlschrank gelegt/gestellt werden.
	<ul style="list-style-type: none"> Die Türen werden zu oft geöffnet.
Keine Beleuchtung oder die Beleuchtung erlischt	<ul style="list-style-type: none"> Überprüfen Sie, ob der Kühlschrank am Stromnetz angeschlossen ist und ob ein Defekt des Leuchtmittels vorliegt.
	<ul style="list-style-type: none"> Lassen Sie bei Bedarf das Leuchtmittel durch eine(n) Fachfrau/-mann ersetzen
Die Tür kann nicht ordnungsgemäß geschlossen werden	<ul style="list-style-type: none"> Die Tür wird durch Lebensmittelverpackungen am ordnungsgemäßen Schließen gehindert
	<ul style="list-style-type: none"> Der Kühlschrank ist geneigt.
Laute Geräusche	<ul style="list-style-type: none"> Überprüfen Sie, ob der Kühlschrank nivelliert ist und stabil steht.
	<ul style="list-style-type: none"> Überprüfen Sie, ob sich die Zubehörteile an der vorgesehenen Stelle befinden.

DE

Problem	Mögliche Ursache
Die Türdichtung dichtet nicht vollständig	<ul style="list-style-type: none">• Entfernen Sie Fremdstoffe, die sich auf der Türdichtung befinden.
	<ul style="list-style-type: none">• Erhitzen Sie die Türdichtung und kühlen Sie sie anschließend zur Wiederherstellung ab (blasen Sie sie zum Erhitzen mit einem elektrischen Haartrockner an oder verwenden Sie ein heißes Handtuch)
Die Wasserauffangschale läuft über	<ul style="list-style-type: none">• Im Kühlbereich/Gefrierschubfach werden zu viele Nahrungsmittel aufbewahrt oder die aufbewahrten Nahrungsmittel enthalten zu viel Wasser, was zu einem starken Abtauen führt.
	<ul style="list-style-type: none">• Die Türen sind nicht ordnungsgemäß geschlossen, wodurch es zum Gefrieren der Luft im Eingangsbereich kommt und dadurch die Wassermenge während des Abtauens ansteigt.
Das Gehäuse ist heiß	<ul style="list-style-type: none">• Die Wärmeabführung erfolgt durch den eingebauten Kondensator über das Gehäuse, was normal ist. Wenn das Gehäuse durch hohe Umgebungstemperatur, Lagerung von zu vielen Lebensmitteln oder Abschalten des Kompressors heiß wird, sorgen Sie für eine gute Belüftung, um die Wärmeabführung zu erleichtern
Kondensation an der Oberfläche	<ul style="list-style-type: none">• Kondensationen an der Außenseite des Kühlschranks und an den Kühlschranktürdichtungen sind normal, wenn die Umgebungstemperatur sehr hoch ist. Wischen Sie die Kondensation einfach mit einem sauberen Tuch ab.
Ungewöhnliche Geräusche	<ul style="list-style-type: none">• Summen: Während seines Betriebs kann der Kompressor u. U. summen, wobei dieses Summen vor allem beim Starten und Stoppen sehr laut ist. Das ist normal.
	<ul style="list-style-type: none">• Knarren: Das im Inneren des Kühlschranks fließende Kältemittel kann ein Knarren erzeugen, was normal ist.

ANHANG

Speziell für den neuen EU-Standard

Die Ersatzteile in der folgenden Tabelle sind über den Serviceanbieter erhältlich

Ersatzteil	Bereitgestellt für	Mindestens für die Beschaffung benötigte Zeit
Thermostate	Geschultes Wartungspersonal	Mindestens 7 Jahre nach Markteinführung des letzten Modells
Temperatursensoren	Geschultes Wartungspersonal	Mindestens 7 Jahre nach Markteinführung des letzten Modells
Platinen	Geschultes Wartungspersonal	Mindestens 7 Jahre nach Markteinführung des letzten Modells
lichtquellen	Geschultes Wartungspersonal	Mindestens 7 Jahre nach Markteinführung des letzten Modells
Türgriffe	Fachwerkstätten und Endbenutzer(innen)	Mindestens 7 Jahre nach Markteinführung des letzten Modells
Türscharniere	Fachwerkstätten und Endbenutzer(innen)	Mindestens 7 Jahre nach Markteinführung des letzten Modells
Ablagen	Fachwerkstätten und Endbenutzer(innen)	Mindestens 7 Jahre nach Markteinführung des letzten Modells
Körbe	Fachwerkstätten und Endbenutzer(innen)	Mindestens 7 Jahre nach Markteinführung des letzten Modells
Türdichtungen	Fachwerkstätten und Endbenutzer(innen)	Mindestens 10 Jahre nach Markteinführung des letzten Modells

DE

Sehr geehrte Kundin, sehr geehrter Kunde

1. Wenn Sie das Produkt zurückgeben oder ersetzen möchten, dann setzen Sie sich bitte mit dem Geschäft in Verbindung, in dem Sie das Produkt erworben haben.

(Bringen Sie bitte auch den Kaufbeleg mit)

2. Wenn Ihr Produkt defekt ist und repariert werden muss, dann setzen Sie sich bitte mit dem Kundendienstserviceanbieter in Verbindung.

ACHTUNG

Die Modellinformationen in der Produktdatenbank sowie den Modellidentifikator können Sie über den Weblink durch Scannen des QR-Codes erhalten, wenn das Energieeffizienzschild des Produktes einen QR-Code enthält.

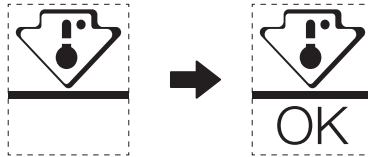
Weitere Informationen über die Energieeffizienz des Geräts finden Sie unter <https://ec.europa.eu>. Suchen Sie dort nach der Modellbezeichnung.

Die Modellbezeichnung finden Sie auf dem Typenschild des Geräts.

Die kälteste Zone im Kühlschrank

OPTIONAL: OK-Temperaturanzeige

- Mit der OK-Temperaturanzeige können Temperaturen unter +4°C ermittelt werden. Reduzieren Sie die Temperatur schrittweise, wenn „OK“ nicht angezeigt wird.



- Ändern Sie die Position der Ablage nicht, um die Temperatur in diesem Bereich sicherzustellen. Bei Kühlschränken mit verbesserter Luftzirkulation (ausgestattet mit einem Gebläse oder frostfreie Modelle) fehlt dieses Symbol, weil bei ihnen die Temperatur im Inneren homogen ist.

Temperaturindikatoreinstellung

- Der Kühlschrank ist mit einem Temperaturindikator ausgestattet, der die Durchschnittstemperatur im kältesten Bereich anzeigt, um Ihnen bei der Einstellung Ihres Kühlschranks zu helfen.
- **WARNUNG:** Dieser Indikator ist auf Ihren Kühlschrank abgestimmt. Benutzen Sie ihn weder in anderen Kühlschränken (weil dort der kälteste Bereich ein anderer ist) noch für andere Zwecke.

Überprüfen der Temperatur im kältesten Bereich

- Mit Hilfe des Temperaturindikators können Sie regelmäßig überprüfen, ob die Temperatur im kältesten Bereich richtig ist. Allerdings hängt die Innentemperatur des Kühlschranks von verschiedenen Faktoren wie beispielsweise der Raumtemperatur, der sich im Kühlschrank befindlichen Menge an Nahrungsmitteln und der Häufigkeit des Türöffnens ab. Ziehen Sie diese Faktoren in Ihre Überlegungen mit ein, wenn Sie das Gerät einstellen.
- Wenn der Indikator «OK» anzeigt, dann bedeutet das, dass der Thermostat ordnungsgemäß eingestellt und die Innentemperatur ordnungsgemäß ist.
- Wenn der Temperaturindikator WEISS wird, dann bedeutet das, dass die Temperatur zu hoch ist. Erhöhen Sie in diesem Fall die Einstellung der Kühlschranktemperaturregelung und warten Sie 12 Stunden, bevor Sie die Temperatur über den Temperaturindikator erneut überprüfen. Wenn Sie frische Nahrungsmittel hineingelegt/-gestellt haben oder die Tür eine Zeitlang geöffnet ist, kann es sein, dass der Temperaturindikator WEISS wird.

DOKUMENTATION UND ZERTIFIZIERUNGEN

Konformitätserklärung

Wir bestätigen hiermit, dass die folgenden Kundenmodellbezeichnungen und Midea-Modellbezeichnungen übereinstimmen.

Marke	Midea-Modell	Marketingmodell	Werksmodell
Midea	HD-403RWENJ	MDRB424FGE01I	CE-BCD310WE-JT
Midea	HD-403RWENJ	MDRB424FGE02I	CE-BCD310WE-JT

DE

Name des Herstellers: Guangzhou Midea Hualing Refrigerator Co., Ltd.
Anschrift des Herstellers: No. 5 Xinguangsi Road, Qianfeng Zhujiang, Nansha District, Guangzhou City, Guangdong Province, VR China

Wir, die Firma Guangzhou Midea Hualing Refrigerator Co., erklären hiermit, dass die oben genannten Produkte den oben genannten, derzeit gültigen Vorschriften und Normen entsprechen.

LETTRÉ DE REMERCIEMENT

Nous vous remercions d'avoir choisi Midea ! Avant d'utiliser votre nouveau produit Midea, veuillez lire attentivement ce manuel afin de vous assurer que vous maîtrisez les caractéristiques et les fonctions de votre nouvel appareil en toute sécurité.

SOMMAIRE

FR

LETTRÉ DE REMERCIEMENT	01
CARACTÉRISTIQUES	02
PRÉSENTATION DU PRODUIT	03
INSTALLATION DU PRODUIT	04
MODE D'EMPLOI	11
NETTOYAGE ET ENTRETIEN	15
DÉPANNAGE	17
ANNEXE	19
DOCUMENTS ET CERTIFICATIONS	21

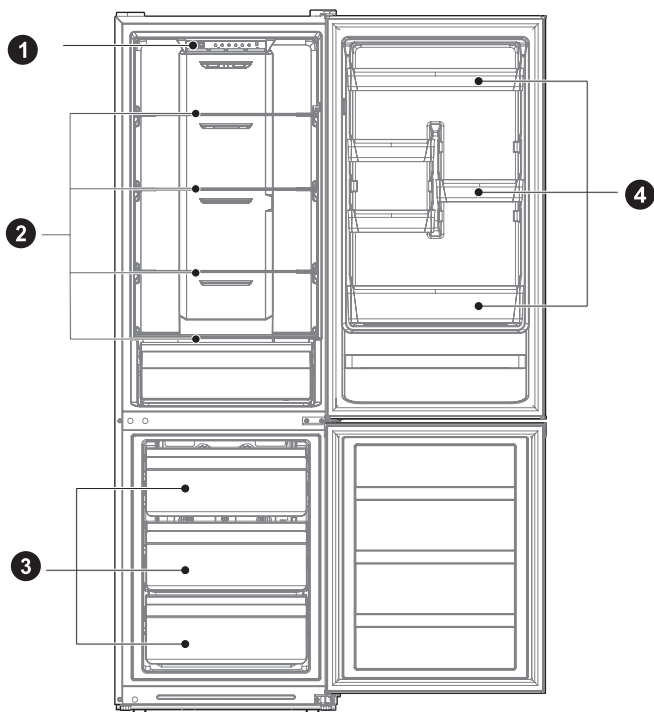
CARACTÉRISTIQUES

Modèle du produit	MDRB424FGE01 MDRB424FGE02
Volume du compartiment de stockage des aliments frais	224L
Volume de stockage des aliments congelés	86L
Type de dégivrage	Décongélation automatique
Temps de montée en température	8h
Capacité de congélation	3,9kg/24h
Tension nominale	220-240V-
Courant nominal	0,8A
Dimension globale (H × L × P)	1880x595x630mm

FR

PRÉSENTATION DU PRODUIT

Noms des composants



- 1 Tiroir
- 2 Étagère

- 3 Tiroir
- 4 Plateau de porte

● ATTENTION

L'image ci-dessus est donnée uniquement à titre de référence. La configuration réelle dépend du produit physique ou de la notice du distributeur.

INSTALLATION DU PRODUIT

Instructions d'installation

Pour les appareils frigorifiques de classe climatique

- En fonction de la classe climatique, cet appareil de réfrigération est destiné à être utilisé dans les plages de température ambiante indiquées dans le tableau suivant.
- La classe climatique se trouve sur la plaque signalétique. Le produit peut ne pas fonctionner correctement à des températures hors de la plage indiquée.
- Vous pouvez trouver la classe climatique sur l'étiquette du produit.

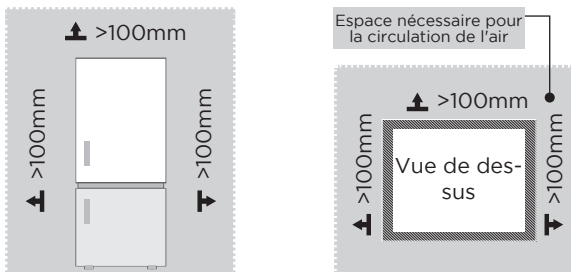
Plage de température efficace

- Ce produit est conçu pour fonctionner normalement dans la plage de température indiquée par sa qualification de classe.

Classe	Symbole	Plage de température de fonctionnement en °C	
		IEC 62552 (ISO 15502)	ISO 8561
Tempéré étendu	SN	+10 à +32	+10 à +32
Tempéré	N	+16 à +32	+16 à +32
Subtropical	ST	+16 à +38	+ 18 à + 38
Tropical	T	+16 à +43	+ 18 à + 43

Dimensions et dégagements

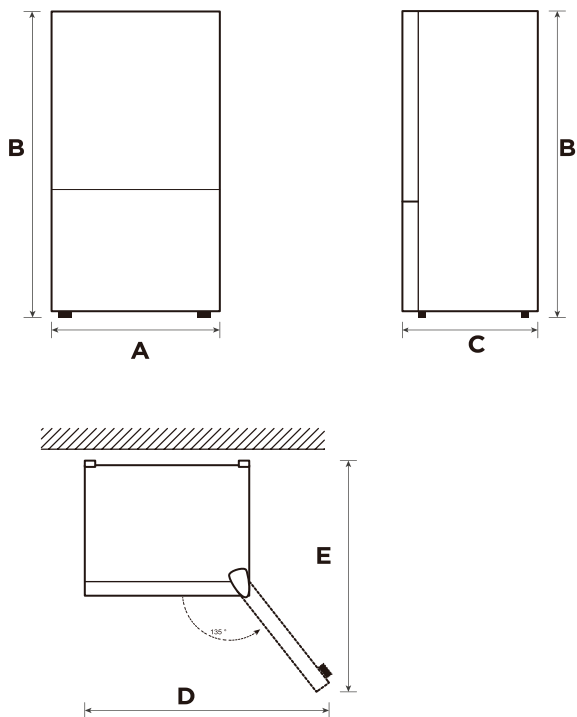
- Une distance trop petite des éléments adjacents peut entraîner une dégradation de la capacité de congélation et une augmentation des coûts d'électricité. Laissez plus de 100 mm de dégagement à partir de chaque mur adjacent lors de l'installation de l'appareil.



ATTENTION

L'image ci-dessus est donnée uniquement à titre de référence. La configuration réelle dépend du produit physique ou de la notice du distributeur.

Diagramme d'encombrement (porte ouverte et fermée)



FR

Largeur	Hauteur totale	Profondeur	La porte s'ouvre à 135° en largeur	La porte s'ouvre à 135° en hauteur
A	B	C	D	E
595	1880	630	988	1074

Remarque : Toutes les dimensions sont en mm

Inverser l'ouverture de la porte (en option)

Selon l'endroit où vous prévoyez d'utiliser votre réfrigérateur, vous trouverez peut-être une inversion de la position de la porte plus pratique.

ATTENTION

MISE EN GARDE: Pour éviter toute blessure, il est recommandé que quelqu'un vous assiste pendant l'inversion de la porte.

Préparation de l'inversion de la position de la porte

Il vous faudra : un tournevis standard, un tournevis cruciforme et la clé hexagonale fournie.

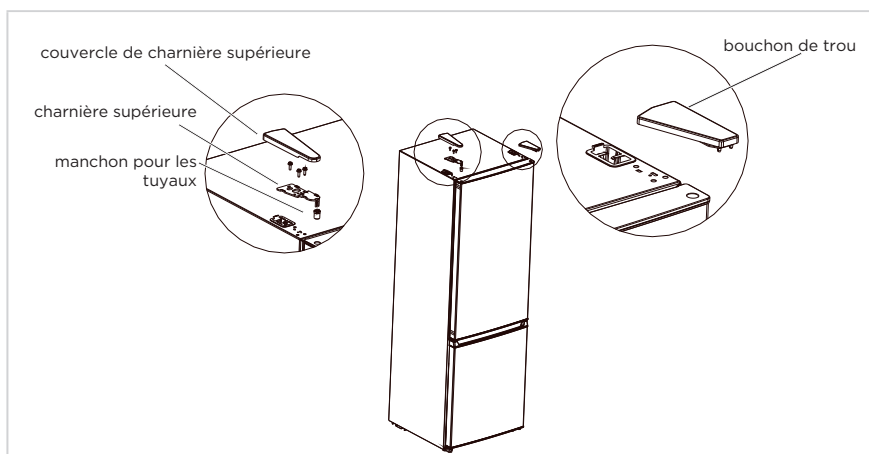
- Assurez-vous que votre réfrigérateur est débranché et vide.
- Faites-vous aider par une tierce personne dans cette démarche.
- Conservez toutes les pièces que vous retirez pour les réutiliser plus tard.

Outils nécessaires pour changer la porte :

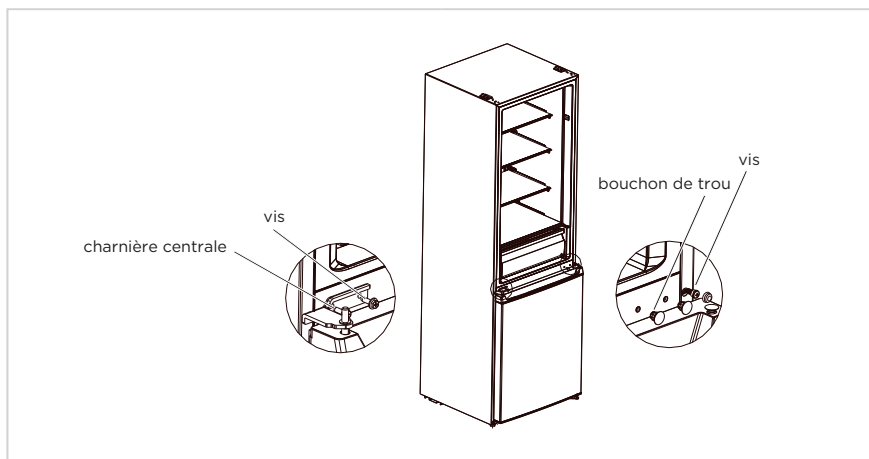


Étape

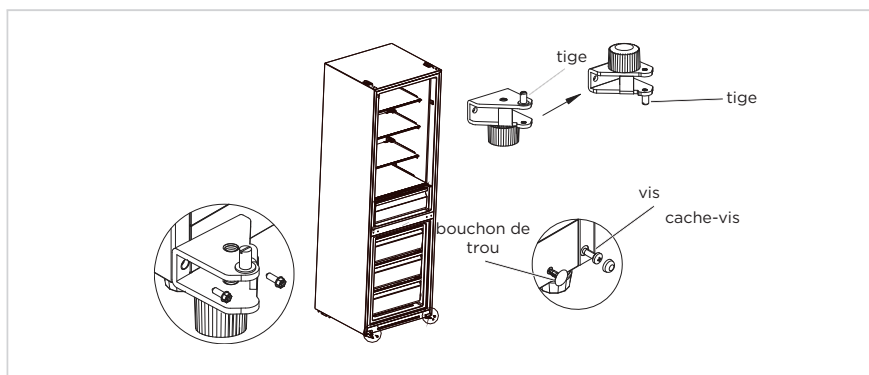
1. Éteignez le réfrigérateur et retirez tous les objets des plateaux de la porte.
2. Démontez le couvre-charnière supérieur, déconnectez les fils de signal, la charnière supérieure et le bouchon du trou de l'autre côté, retirez la porte du réfrigérateur.



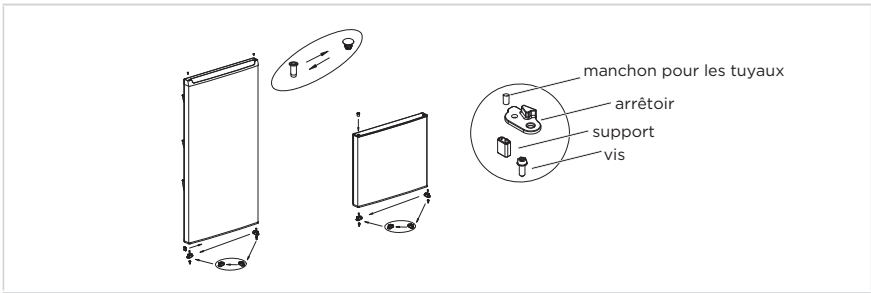
3. Démontez la charnière centrale, les vis, les capuchons de trou de vis et retirez la porte du congélateur.



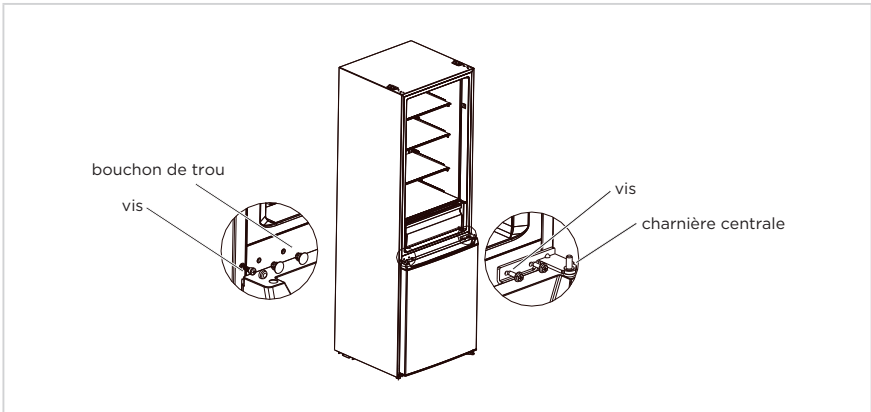
4. Démontez la charnière inférieure, les bouchons de trous et les vis, installez la tige de la charnière inférieure et le pied de réglage de l'autre côté de la charnière inférieure, puis installez la charnière de l'autre côté.



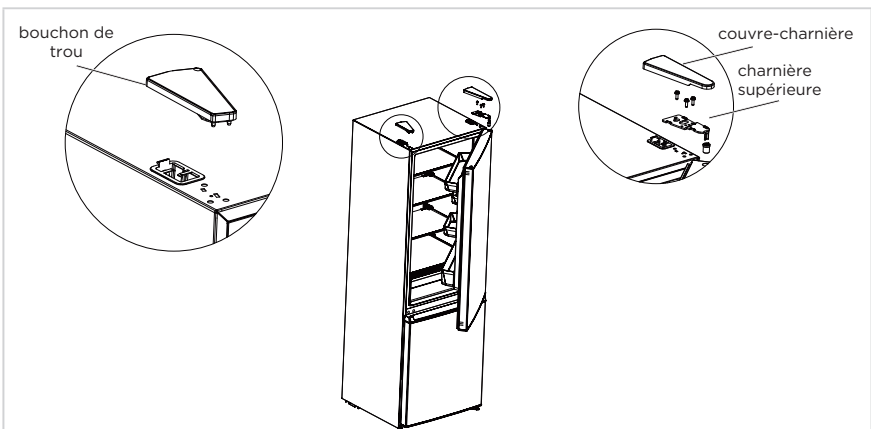
5. Démontez la vis, le manchon pour tuyaux et le bouchon de la porte du réfrigérateur et de la porte du congélateur, et le support du couvercle inférieur de la porte du réfrigérateur est également retiré. Ensuite, installez-les de l'autre côté des portes dans l'ordre. (Retirez le bouchon inférieur de l'emballage des accessoires)
6. Échangez la position du manchon de tuyaux et du bouchon du trou au niveau du couvercle supérieur de la porte du réfrigérateur, et installez le manchon de la charnière supérieure de la porte du congélateur dans le trou de l'autre côté du manchon de l'axe.



7. Placez la porte du congélateur sur la charnière inférieure, installez la charnière centrale, les vis et les bouchons des trous de vis.



8. Placez la porte du réfrigérateur sur la charnière centrale, installez la charnière supérieure, le couvercle de la charnière et le bouchon du trou.



ATTENTION

L'image ci-dessus est donnée uniquement à titre de référence. La configuration réelle dépend du produit physique ou de la notice du distributeur.

Emplacement

- Avant d'utiliser le réfrigérateur, retirez tous les matériaux d'emballage, y compris les coussins inférieurs et les coussinets et bandes en mousse à l'intérieur, déchirez le film protecteur apposé sur la porte et le corps.
- Tenez à l'écart de la chaleur et évitez la lumière directe du soleil. Ne placez pas le congélateur dans des endroits humides ou aqueux pour éviter la rouille ou la réduction de l'isolation.
- Pour ne pas affecter l'isolation électrique du congélateur, ne projetez pas de l'eau dessus et ne le lavez pas, ne le placez pas dans des endroits humides où il est facile de le mouiller.
- Le réfrigérateur doit être placé dans un endroit à l'intérieur bien ventilé ; le sol doit être plat et solide (tournez les pieds à gauche ou à droite pour régler le niveau si l'appareil est instable).

FR



Pieds réglables

L'appareil doit être à niveau pour éviter toute vibration.

Il faut tenir compte de l'uniformité du sol dans la mise à niveau.

L'avant de la porte doit être légèrement plus haut que l'arrière pour faciliter sa fermeture.

Les vis de mise à niveau peuvent être facilement tournées en inclinant légèrement l'appareil.

Tournez les vis de mise à niveau dans le sens antihoraire  pour soulever l'appareil, dans le sens horaire  pour l'abaisser.

Déplacement de l'appareil

1. Retirez tous les aliments de l'appareil.
2. Débranchez la fiche d'alimentation, et la fixer au crochet de prise située à l'arrière ou la placer au-dessus de l'appareil.
3. Collez les pièces telles que étagères et poignée de porte pour éviter qu'elles ne tombent lors du déplacement de l'appareil.
4. Avec précaution, déplacez l'appareil à l'aide de deux personnes au moins. Lors du transport sur une longue distance, l'appareil doit être maintenu en position verticale.
5. Après l'installation de l'appareil, branchez la fiche d'alimentation dans une prise de courant pour l'allumer.

ATTENTION

Précautions avant l'utilisation :

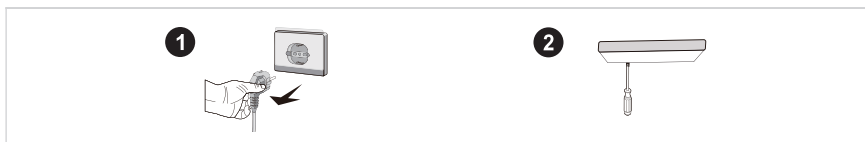
Avant d'effectuer des modifications, le réfrigérateur doit être débranché de l'alimentation électrique. Des précautions doivent être prises pour éviter toute blessure corporelle.

Changement de l'ampoule

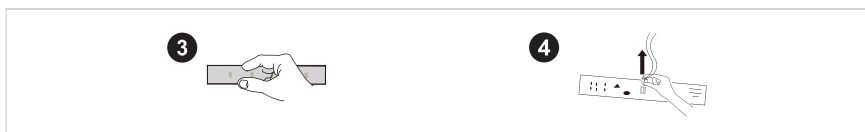
- Tout remplacement ou entretien des lampes LED doit être effectué par le fabricant, son agent de service ou une personne qualifiée similaire. Ce produit contient une source lumineuse de classe d'efficacité énergétique <F>.

Étape

1. Veuillez débrancher le produit avant de la retirer.
2. Retirez la collerette avec un tournevis.



3. Enlevez le panneau de lampe.
4. Retirez la borne de connexion.



Branchement de l'appareil

Avant le démarrage initial, gardez le réfrigérateur immobile pendant une demi-heure avant de le brancher à l'alimentation électrique.

● ATTENTION

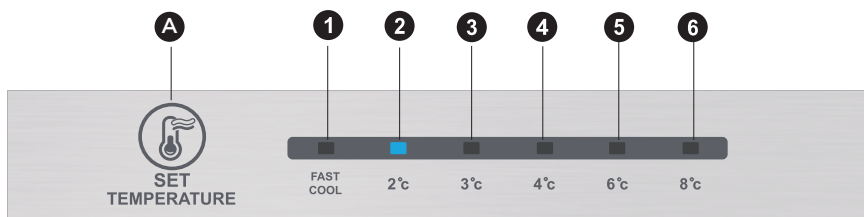
Avant de mettre des aliments frais ou surgelés, le réfrigérateur doit avoir fonctionné pendant 2 à 3 heures, ou pendant plus de 4 heures en été lorsque la température ambiante est élevée.

Conseils pour l'économie d'énergie

- L'appareil doit être situé dans la zone la plus fraîche de la pièce, loin des appareils produisant de la chaleur ou des conduits de chauffage, et à l'abri de la lumière directe du soleil.
- Laissez les aliments chauds refroidir à température ambiante avant de les placer dans l'appareil. Une surcharge de l'appareil force le compresseur à fonctionner plus. Les aliments qui gèlent trop lentement peuvent perdre de la qualité ou s'abîmer.
- Veillez à emballer correctement les aliments et essuyer les récipients avant de les placer dans l'appareil. Cela réduit l'accumulation de givre à l'intérieur de l'appareil.
- Le bac de rangement de l'appareil ne doit pas être recouvert de papier d'aluminium, ciré ou essuie-tout. Les doublures interfèrent avec la circulation de l'air froid et le congélateur serait moins performant.
- Organisez et étiquetez les aliments pour réduire les ouvertures de porte et les recherches prolongées. Retirez autant d'objets que nécessaire à la fois et fermez la porte dès que possible.

MODE D'EMPLOI

Panneau de commande



● ATTENTION

L'image ci-dessus est donnée uniquement à titre de référence. La configuration réelle dépend du produit physique ou de la notice du distributeur.

Touche

A	Bouton d'alarme/d'arrêt /de marche
---	------------------------------------

Écran

1	réglage de la température 1
2	réglage de la température 2
3	réglage de la température 3
4	réglage de la température 4
5	réglage de la température 5
6	réglage de la température 6

Écran

Lorsque vous mettez le réfrigérateur sous tension, l'écran (y compris le voyant lumineux) s'allume entièrement pendant 3 secondes, puis le réfrigérateur fonctionne selon le réglage de température 3.

Affichage du fonctionnement normal

En cas de défaillance, le voyant LED correspondant affiche le code de défaillance (en affichage de recyclage) ;

S'il n'y a pas de défaillance, le voyant LED affiche le réglage de température existant.

● ATTENTION

Le panneau de commande réel peut varier d'un modèle à l'autre.

Mode d'emploi

Réglage de la vitesse

- Le réglage de la température est modifié une fois à chaque pression sur la touche SET. Ensuite, le réfrigérateur fonctionnera sous la nouvelle valeur de réglage au bout de 15 s.

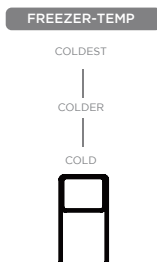
Réglage 1 → Réglage 2 → Réglage 3 → Réglage 4 → Réglage 5 → Réglage 6 → Réglage 1 →

Mode de refroidissement rapide :

- Entrée : Mode de refroidissement rapide avec modulation par circulation.
- Fonctionnement : Le témoin de refroidissement rapide s'allume, et le réfrigérateur fonctionne à 2° C.
- Le mode de refroidissement rapide est automatiquement désactivé pendant 24 H.
- La fonction de refroidissement rapide peut être utilisée comme fonction de super congélation.

Réglage du bouton du volet d'air manuel

- Tournez le coulisseau du volet d'air vers le haut, la température réelle à l'intérieur du compartiment de congélation baissera, tournez le coulisseau du volet d'air vers le bas, la température réelle à l'intérieur du compartiment de congélation augmentera.



Code d'erreur

- Les avertissements suivants, qui apparaissent à l'écran, indiquent les défauts correspondants du réfrigérateur. Bien que le réfrigérateur puisse encore avoir une fonction de refroidissement et de congélation avec les défauts suivants, l'utilisateur doit contacter un spécialiste de la maintenance pour l'entretien, afin de garantir une utilisation normale du réfrigérateur.

Code d'erreur	Description du défaut
Les LED 1 et 2 s'allument	Circuit de la sonde de température du réfrigérateur
Les LED 1 et 3 s'allument	Sonde de dégivrage du congélateur
Les LED 1 et 4 s'allument	Sonde de température ambiante

ATTENTION

Remarque : La fonction de congélation rapide est conçue pour maintenir la valeur nutritive des aliments dans le congélateur. Elle peut congeler les aliments dans les plus brefs délais. Si une grande quantité d'aliments est congelée en même temps, il est recommandé à l'utilisateur d'activer la fonction de congélation rapide avant d'y placer les aliments. La vitesse de congélation du compartiment de congélation est alors augmentée, ce qui permet de congeler rapidement les aliments, de verrouiller efficacement la nutrition des aliments et de faciliter le stockage.

Chambre frigorifique

- La chambre frigorifique convient au stockage d'une variété de fruits, légumes, boissons et autres aliments consommés à court terme, durée de stockage suggérée de 3 jours à 5 jours.
- Les aliments cuits ne doivent pas être placés dans la chambre frigorifique avant d'être à température ambiante.
- Il est recommandé de sceller les aliments avant de les mettre dans le congélateur.
- Les étagères en verre peuvent être ajustées vers le haut ou vers le bas à une distance raisonnable de stockage et une utilisation facile.

FR

Chambre de congélation

- La faible température de la chambre de congélation peut garder les aliments frais pendant longtemps et est principalement utilisée pour stocker les aliments surgelés et faire de la glace.
- La chambre de congélation convient au stockage de viandes, poissons, boulettes de riz et autres aliments.
- Les gros morceaux de viande doivent être divisés en petits morceaux préférablement pour une congélation rapide et un accès facile. Les aliments doivent être consommés dans le délai de conservation.

ATTENTION

Remarque : Le stockage d'une trop grande quantité d'aliments pendant le fonctionnement après le premier branchement peut nuire à l'effet de congélation du réfrigérateur.

Ordre	Type de compartiment	Temp. de stockage cible [°C]	Aliments appropriés
1	Frigo	+2 - +8	Œufs, aliments cuits, aliments emballés, fruits et légumes, produits laitiers, gâteaux, boissons et autres aliments ne conviennent pas à la congélation.
2	(***)*-Congélateur	≤-18	Fruits de mer (poissons, crevettes, crustacés), produits aquatiques d'eau douce et produits à base de viande (recommandés pendant 3 mois, plus le temps de stockage est long, plus le goût devient mauvais), adaptés aux aliments frais congelés.
3	***-Congélateur	≤-18	Fruits de mer (poissons, crevettes, crustacés), produits aquatiques d'eau douce et produits à base de viande (recommandés pendant 3 mois, plus le goût devient mauvais), adaptés aux aliments frais congelés.
4	** -Congélateur	≤-12	Fruits de mer (poissons, crevettes, crustacés), produits aquatiques d'eau douce et produits à base de viande (recommandés pendant 3 mois, plus le temps de stockage est long, plus le goût devient mauvais), adaptés aux aliments frais congelés.
5	*-Congélateur	≤-6	Fruits de mer (poissons, crevettes, crustacés), produits aquatiques d'eau douce et produits à base de viande (recommandés pendant 3 mois, plus le temps de stockage est long, plus le goût devient mauvais), adaptés aux aliments frais congelés.
6	0 étoiles	-6 - 0	Porc frais, bœuf, poisson, poulet, certains aliments transformés emballés, etc. (recommandés de manger dans la même journée, de préférence pas plus de 3 jours). Aliments transformés partiellement emballés (aliments non congelables).
7	Froid	-2 - +3	Porc frais/congelé, bœuf, poulet, produits aquatiques d'eau douce, etc. (7 jours en dessous de 0°C et au-dessus de 0°C recommandés pour une consommation dans la journée, de préférence pas plus de 2 jours). Fruits de mer (moins de 0 pour 15 jours), il est déconseillé de conserver au-dessus de 0°C.
8	Aliments frais	0 - +4	Porc frais, bœuf, poisson, poulet, plats cuisinés, etc. (recommandés de manger dans la même journée, de préférence pas plus de 3 jours)
9	Vin	+5 - +20	Vin rouge, vin blanc, vin mousseux, etc.

ATTENTION

Il faut stocker différents aliments en fonction des compartiments ou de la température cible.

NETTOYAGE ET ENTRETIEN

Nettoyage général

- La poussière derrière le congélateur et au sol doit être nettoyée en temps opportun pour améliorer l'effet de refroidissement et l'économie d'énergie.
- Vérifiez régulièrement le joint du congélateur armoire pour s'assurer qu'il n'y a pas de débris. Nettoyez le joint de la porte avec un chiffon doux imbibé d'eau savonneuse ou de détergent dilué.
- L'intérieur du congélateur doit être nettoyé régulièrement pour éviter toute odeur.
- Il faut éteindre l'appareil avant de nettoyer l'intérieur, retirer tous les aliments, boissons, étagères, tiroirs, etc.
- Utilisez un chiffon doux ou une éponge pour nettoyer l'intérieur du congélateur avec une solution de deux cuillères à soupe de bicarbonate de soude et un litre d'eau tiède. Rincez ensuite à l'eau puis essuyez. Après le nettoyage, ouvrez la porte et laissez sécher à l'air avant de brancher l'appareil.
- Pour les zones difficiles à nettoyer dans le congélateur (telles que espaces étroits, trous et coins), il est recommandé de les essuyer régulièrement avec un chiffon doux, une brosse douce, etc. et si nécessaire, combiné avec certains outils auxiliaires (tels que bout de bois mince) pour éviter toute accumulation de contaminants ou de bactéries dans ces zones.
- N'utilisez pas de savon, détergent, poudre à récurer, nettoyant en vaporisateur, etc., car ils peuvent laisser des odeurs à l'intérieur du congélateur ou des aliments contaminés.
- Nettoyez les bouteilles, étagères et tiroirs avec un chiffon doux imbibé d'eau savonneuse ou de détergent dilué. Séchez avec un chiffon doux ou laissez sécher naturellement.
- Nettoyez la surface extérieure du réfrigérateur avec un chiffon doux imbibé d'eau savonneuse ou de détergent, puis l'essuyer.
- N'utilisez pas de brosses dures, de billes de nettoyage en acier, de brosses métalliques, d'abrasifs (tels que dentifrice), de solvants organiques (tels qu'alcool, acétone, huile de banane, etc.), de l'eau bouillante, des produits acides ou alcalins, qui peuvent endommager la surface et l'intérieur du congélateur. L'eau bouillante et les solvants organiques tels que le benzène peuvent déformer ou endommager les pièces en plastique.
- Ne rincez pas directement avec de l'eau ou d'autres liquides pendant le nettoyage pour éviter les courts-circuits ou affecter l'isolation électrique après immersion.

ATTENTION

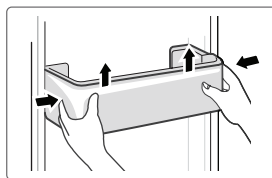
Il faut débrancher le congélateur avant la décongélation et le nettoyage.

Décongélation

- Le réfrigérateur est fabriqué selon le principe de refroidissement par air et dispose donc d'une fonction de dégivrage automatique. Le givre formé en raison du changement de saison ou de température peut également être éliminé manuellement en débranchant l'appareil ou en l'essuyant avec une serviette sèche.

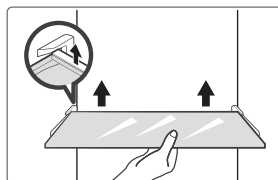
Nettoyage du plateau de porte

- Selon la flèche de direction dans la figure ci-dessous, utilisez les deux mains pour presser le plateau et poussez-le vers le haut pour pouvoir le sortir par la suite.
- Après avoir lavé le casier retiré, vous pouvez ajuster sa hauteur en fonction de vos besoins.



Nettoyage de l'étagère en verre

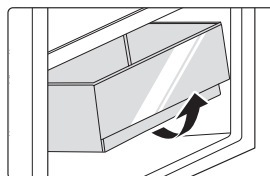
- Comme la partie la plus interne de la cuve du réfrigérateur, où se trouvent les étagères, est dotée d'une butée arrière, vous devez soulever les étagères vers le haut pour pouvoir les retirer.
- Ajustez ou nettoyez les étagères en fonction de vos besoins.



FR

Nettoyage du bac à légumes

1. Retirez le contenu du bac. Tenez la poignée du bac à légumes et tirez complètement jusqu'à ce qu'il s'arrête.
2. Soulevez le bac à légumes et le retirer en le tirant vers l'extérieur.



Hors service

Panne de courant :

En cas de panne de courant, même en été, les aliments à l'intérieur de l'appareil peuvent être conservés plusieurs heures ; pendant la panne de courant, les heures d'ouverture de la porte doivent être réduites et aucun aliment frais ne doit plus être mis dans l'appareil.

Longue période de non utilisation :

L'appareil doit être débranché et nettoyé ; laissez es portes ouvertes pour éviter les odeurs.

Déplacement :

Avant de déplacer le réfrigérateur, mettez tous les objets à l'envers, fixez les cloisons en verre, le bac à légumes, les tiroirs de la chambre de congélation, etc. avec du ruban adhésif, et serrez les pieds de nivellement ; fermez les portes et les fixer avec du ruban adhésif. Pendant le déplacement, l'appareil ne doit pas être posé à l'envers ou horizontalement ni être soumis à des vibrations ; l'inclinaison pendant le mouvement ne doit pas dépasser 45°.

ATTENTION

Une fois mis en marche, l'appareil doit fonctionner en continu. En règle générale, le fonctionnement de l'appareil ne doit pas être interrompu ; autrement sa durée de vie peut être réduite.

DÉPANNAGE

Les problèmes simples suivants peuvent être traités par l'utilisateur. Appelez le service après-vente si ces problèmes ne sont pas réglés.

Problème	Cause possible
Échec de l'opération	• Vérifiez si l'appareil est branché au secteur ou si la fiche est bien en contact
	• Vérifiez si la tension est trop basse
	• Vérifiez s'il y a une panne de courant ou des circuits partiels se sont déclenchés
Odeur	• Les aliments susceptibles d'émettre des odeurs doivent être bien enveloppés
	• Vérifiez s'il y a des aliments pourris
	• Nettoyez l'intérieur du réfrigérateur
Compresseur fonctionnant pendant une longue période	• Un fonctionnement prolongé du réfrigérateur est normal en été lorsque la température ambiante est élevée
	• Il n'est pas recommandable d'avoir trop d'aliments dans l'appareil en même temps
	• Les aliments doivent refroidir avant d'être mis dans l'appareil
	• Les portes sont ouvertes trop fréquemment
La lumière ne s'allume pas	• Vérifiez si le réfrigérateur est branché à l'alimentation électrique et si la lumière est endommagée
	• Faites remplacer la lumière par un professionnel
La porte du réfrigérateur ne peut pas être correctement fermée.	• La porte est coincée par des aliments
	• Le réfrigérateur est incliné.
Bruits forts	• Vérifiez si le sol est bien horizontal et si le réfrigérateur est placé de manière stable
	• Vérifiez si les accessoires sont placés aux bons endroits

Problème	Cause possible
Le joint de la porte n'est pas serré.	<ul style="list-style-type: none"> • Éliminez tout corps étranger sur le joint de la porte • Chauffez le joint de la porte, puis le refroidir pour le restaurer (ou soufflez dessus avec un séchoir électrique ou utilisez une serviette chaude)
Débordement du bac à eau	<ul style="list-style-type: none"> • Il y a trop d'aliments dans la chambre ou les aliments stockés contiennent trop d'eau, cela entraîne une forte décongélation • Les portes ne sont pas fermées correctement, cela entraîne un dégivrage dû à l'entrée d'air et une augmentation d'eau
Boîtier chaud	<ul style="list-style-type: none"> • La dissipation de la chaleur du condenseur intégré via le boîtier est normale. Lorsque le boîtier devient chaud en raison d'une température ambiante élevée, du stockage d'une trop grande quantité d'aliments ou de l'arrêt du compresseur, il faut prévoir une bonne ventilation pour faciliter la dissipation de la chaleur.
Condensation de surface	<ul style="list-style-type: none"> • La condensation sur la surface extérieure et les joints de porte du réfrigérateur est normale lorsque l'humidité ambiante est trop élevée. Il suffit d'essuyer la condensation avec une serviette propre.
Bruit anormal	<ul style="list-style-type: none"> • Vrombissement : Le compresseur peut produire des vrombissements qui sont forts en particulier au démarrage ou à l'arrêt. C'est normal. • Craquements : Le fluide frigorigène qui circule à l'intérieur de l'appareil peut produire des craquements, ce qui est normal.

ANNEXE

Spécial pour la nouvelle norme européenne

Les pièces commandées dans le tableau suivant peuvent être acquises auprès d'un canal de fournisseur de services.

Pièce commandée	Fourni par	Temps minimum requis pour la fourniture
Thermostats	Personnel professionnel de maintenance	Au moins 7 ans après le lancement du dernier modèle sur le marché
Capteurs de température	Personnel professionnel de maintenance	Au moins 7 ans après le lancement du dernier modèle sur le marché
Cartes de circuit imprimé	Personnel professionnel de maintenance	Au moins 7 ans après le lancement du dernier modèle sur le marché
sources de lumière	Personnel professionnel de maintenance	Au moins 7 ans après le lancement du dernier modèle sur le marché
Poignées de porte	Réparateurs professionnels et utilisateurs	Au moins 7 ans après le lancement du dernier modèle sur le marché
Charnières de porte	Réparateurs professionnels et utilisateurs	Au moins 7 ans après le lancement du dernier modèle sur le marché
Tiroirs	Réparateurs professionnels et utilisateurs	Au moins 7 ans après le lancement du dernier modèle sur le marché
Paniers	Réparateurs professionnels et utilisateurs	Au moins 7 ans après le lancement du dernier modèle sur le marché
Joint de porte	Réparateurs professionnels et utilisateurs	Au moins 10 ans après le lancement du dernier modèle sur le marché

Chère cliente,

1. Pour retourner ou remplacer le produit, il faut d'abord contacter le magasin où vous l'avez acheté.

(N'oubliez pas de joindre la facture d'achat)

2. Si votre produit tombe en panne et doit être réparé, il faut contacter le service après-vente.

● ATTENTION

Les informations du modèle dans la base de données des produits, ainsi que l'identificateur du modèle, peuvent être obtenues au moyen d'un lien web scanné d'un code QR, le cas échéant, sur l'étiquette d'efficacité énergétique du produit.

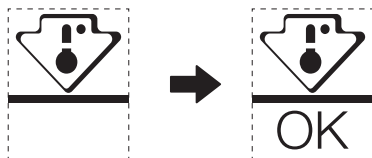
Pour plus d'informations sur l'efficacité énergétique de l'appareil, rendez-vous sur <https://ec.europa.eu> et recherchez par le nom du modèle.

Le nom du modèle se trouve sur la plaque signalétique de l'appareil.

Zone la plus froide du réfrigérateur

EN OPTION : OK-indicateur de température

- L'indicateur de température OK peut être utilisé pour déterminer des températures inférieures à +4°C. Réduisez progressivement la température si le signe n'indique pas « OK ».



- Pour garantir la température dans cette zone, ne changez pas l'emplacement de l'étagère. Dans les réfrigérateurs à air forcé (équipés d'un ventilateur ou modèles Pas de gel), le symbole de la zone la plus froide n'est pas représenté car la température à l'intérieur est homogène.

FR

Réglage de l'indicateur de température

- Pour vous aider à bien régler votre réfrigérateur, celui-ci est équipé d'un indicateur de température qui surveille la température moyenne dans la zone la plus froide.
- **AVERTISSEMENT** : cet indicateur ne fonctionne qu'avec votre réfrigérateur, ne l'utilisez pas dans un autre réfrigérateur (en effet, la zone la plus froide n'est pas la même), ou pour autre chose.

Vérification de la température dans la zone la plus froide

- Grâce à l'indicateur de température, vous pouvez vérifier régulièrement que la température de la zone la plus froide est correcte. En effet, la température interne du réfrigérateur dépend de plusieurs facteurs tels que la température ambiante de la pièce, la quantité d'aliments stockés et la fréquence d'ouverture des portes. Il faut tenir compte de ces facteurs lors du réglage du réfrigérateur.
- Lorsque l'indicateur affiche « OK », cela signifie que le thermostat est bien réglé et que la température intérieure est correcte.
- Si l'indicateur de température devient BLANC, cela signifie que la température est trop élevée, dans ce cas, augmentez le réglage de la température et patientez 12 heures avant d'effectuer une nouvelle inspection visuelle de l'indicateur. Lorsque des aliments frais ont été introduits ou que la porte a été laissée ouverte, il est possible que l'indicateur de température devienne BLANC au bout d'un certain temps.

DOCUMENTS ET CERTIFICATIONS

Déclaration de conformité

Nous confirmons par la présente que les noms de modèle client et les noms de modèle Midea suivants correspondent respectivement.

Marque	Modèle Midea	Modèle de commerce	Modèle d'usine
Midea	HD-403RWENJ	MDRB424FGE01I	CE-BCD310WE-JT
Midea	HD-403RWENJ	MDRB424FGE02I	CE-BCD310WE-JT

FR

Nom du fabricant : Guangzhou Midea Hualing Refrigerator Co., Ltd.
Adresse du fabricant : No. 5 Xinguangsi Road, Qianfeng Zhujiang, Nansha District, Guangzhou City, Guangdong Province, R.P.Chine

Nous, Guangzhou Midea Hualing Refrigerator Co., Ltd., déclarons par la présente que les produits mentionnés ci-dessus sont conformes aux réglementations et normes actuellement en vigueur mentionnées ci-dessus.

LETTERA DI RINGRAZIAMENTO

Grazie per aver scelto Midea! Prima di utilizzare il nuovo prodotto Midea, leggere attentamente il presente manuale per essere certi di saper utilizzare in modo sicuro le caratteristiche e le funzioni offerte dal nuovo apparecchio.

INDICE

LETTERA DI RINGRAZIAMENTO	01
SPECIFICHE	02
PANORAMICA DEL PRODOTTO	03
INSTALLAZIONE DEL PRODOTTO	04
ISTRUZIONI DI FUNZIONAMENTO	11
PULIZIA E MANUTENZIONE	15
RISOLUZIONE DEI PROBLEMI	17
APPENDICE	19
DOCUMENTAZIONE E CERTIFICAZIONI	21

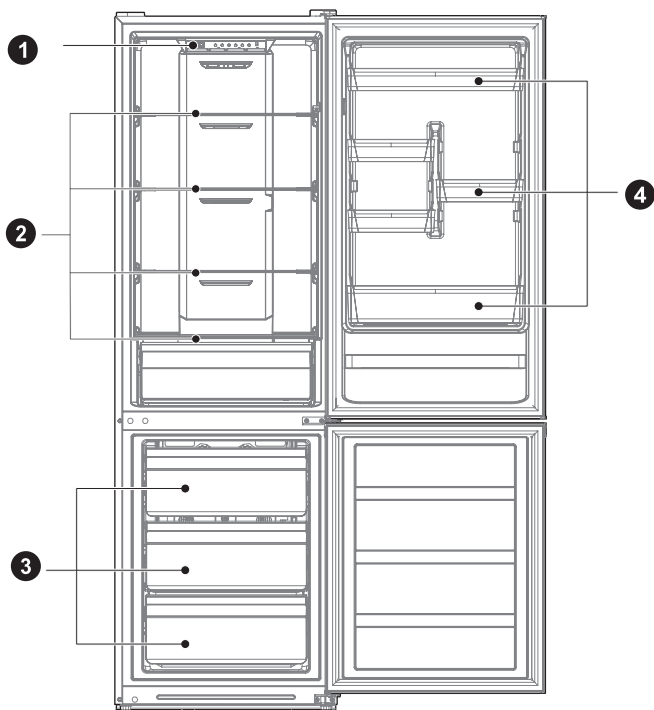
SPECIFICHE

Modello del prodotto	MDRB424FGE01I MDRB424FGE02I
Volume dello scomparto di conservazione degli alimenti freschi	224 L
Volume di conservazione degli alimenti congelati	86 L
Tipo di sbrinamento	Sbrinamento automatico
Tempo di incremento temperatura	8 h
Capacità di congelamento	3,9 kg/24h
Tensione nominale	220-240 V-
Corrente nominale	0,8 A
Dimensioni complessive (A × L × P)	1880X595x630 mm

IT

PANORAMICA DEL PRODOTTO

Nomi dei componenti



1 Cassetto

2 Ripiano

3 Cassetto

4 Ripiano dello sportello

ATTENZIONE

La figura sopra riportata viene fornita solo a scopo indicativo. La configurazione effettiva dipende dalle caratteristiche fisiche del prodotto e dalle indicazioni del distributore.

IT

INSTALLAZIONE DEL PRODOTTO

Istruzioni di installazione

Apparecchi di refrigerazione con classe climatica

- A seconda della classe climatica, gli apparecchi di refrigerazione sono pensati per essere utilizzati alle temperature ambiente indicate nella tabella sottostante.
- La classe climatica è riportata sulla targhetta di identificazione del prodotto. Il prodotto potrebbe non funzionare correttamente a temperature che non rientrano nell'intervallo specificato.
- È possibile trovare la classe climatica sull'etichetta del prodotto.

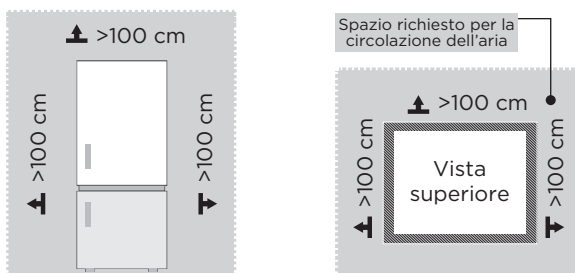
Intervallo di temperatura effettiva

- L'apparecchio è pensato per funzionare normalmente entro l'intervallo di temperatura specificato a seconda della classe climatica.

Classe	Simbolo	Intervallo di temperatura ambiente °C	
		IEC 62552 (ISO 15502)	ISO 8561
Area temperata estesa	SN	da + 10 a + 32	da + 10 a + 32
Area temperata	N	da + 16 a + 32	da + 16 a + 32
Area Subtropicale	ST	da + 16 a + 38	da + 18 a + 38
Area Tropicale	T	da + 16 a + 43	da + 18 a + 43

Dimensioni e spazi

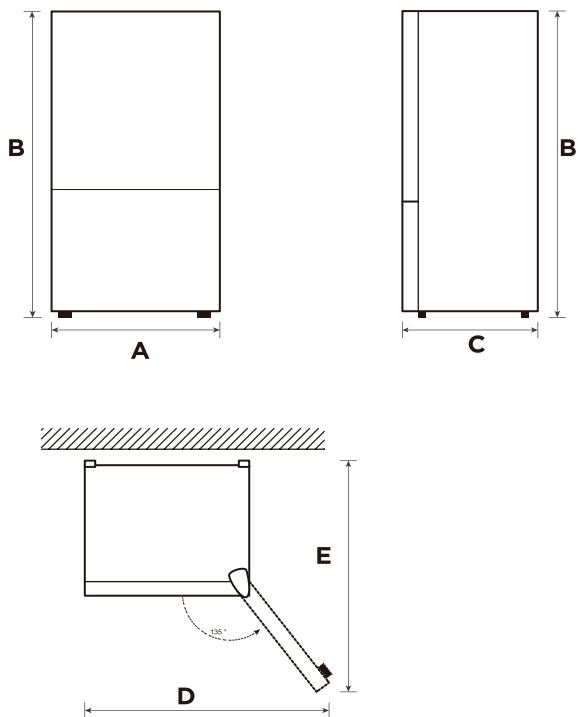
- Una distanza eccessivamente esigua dagli elementi adiacenti può comportare una riduzione della capacità di congelamento e un aumento dei costi dell'elettricità. Durante l'installazione dell'apparecchio, lasciare una distanza di oltre 100 mm da ogni parete adiacente.



ATTENZIONE

La figura sopra riportata viene fornita solo a scopo indicativo. La configurazione effettiva dipende dalle caratteristiche fisiche del prodotto e dalle indicazioni del distributore.

Disegno sui requisiti di spazio (quando lo sportello è aperto e quando è chiuso)



IT

Larghezza	Altezza complessiva	Profondità	Larghezza sportelli aperti a 135°	Profondità sportelli aperti a 135°
A	B	C	D	E
595	1880	630	988	1074

Nota: Tutte le dimensioni in mm

Cambio dello sportello a sinistra o a destra (opzionale)

In base alla posizione in cui si intende utilizzare il frigorifero, potrebbe essere più comodo invertire la posizione dello sportello.

PRECAUZIONI

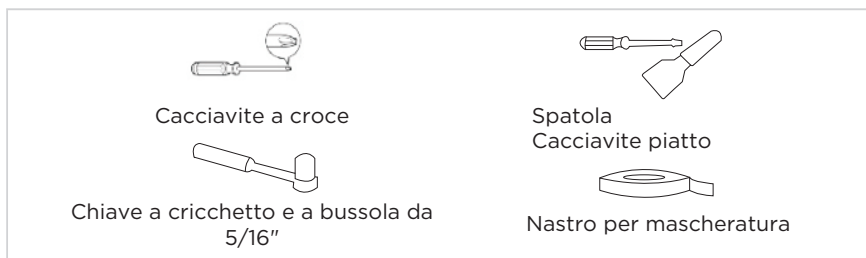
PRECAUZIONI: per evitare lesioni personali o alle cose, si consiglia di farsi assistere da qualcuno durante l'inversione dello sportello.

Preparazione per l'inversione della posizione dello sportello

A tal fine sarà necessario: un cacciavite standard, un cacciavite a croce e la chiave a brugola in dotazione.

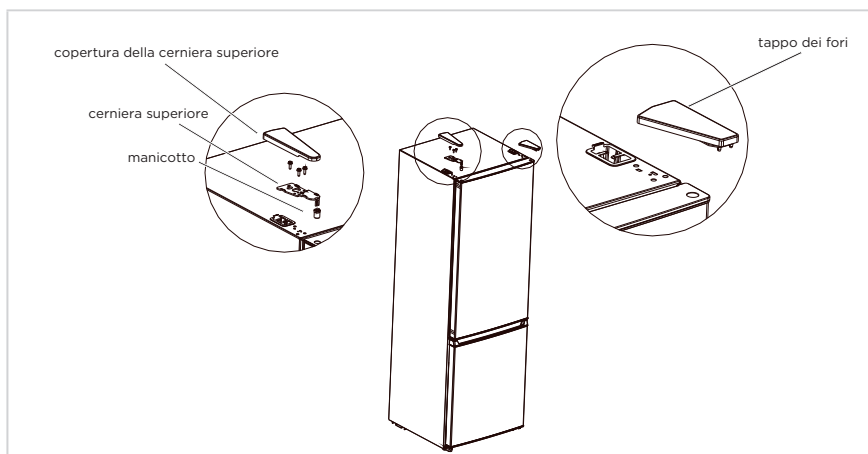
- Assicurarsi che il frigorifero sia scollegato e vuoto.
- Farsi assistere da un'altra persona per compiere l'operazione.
- Conservare tutte le parti rimosse per riutilizzarle in seguito.

Utensili necessari per cambiare lo sportello:

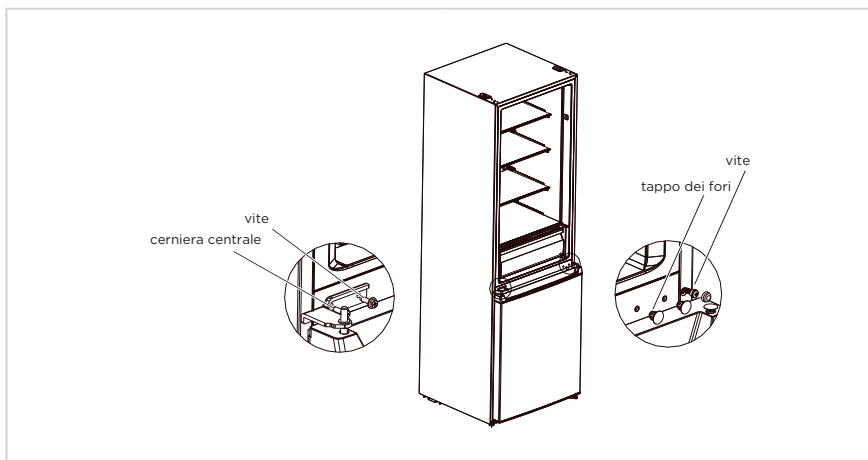


Procedura

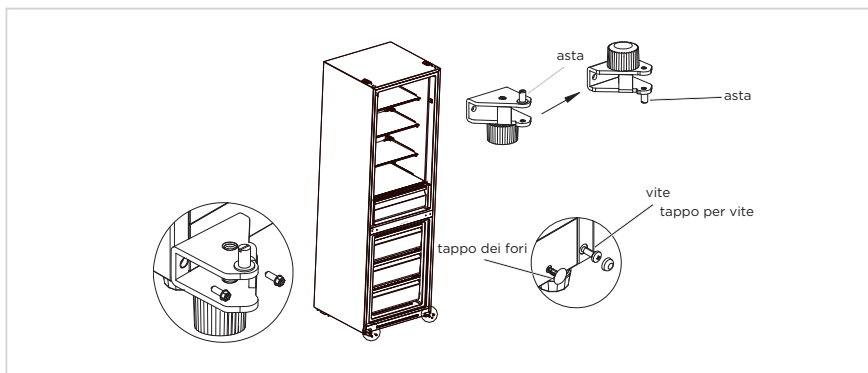
1. Spegner il frigorifero e rimuovere tutti gli oggetti dai vassoi della porta.
2. Rimuovere la copertura della cerniera superiore, la cerniera superiore e il tappo dei fori sull'altro lato, quindi smontare lo sportello del frigorifero.



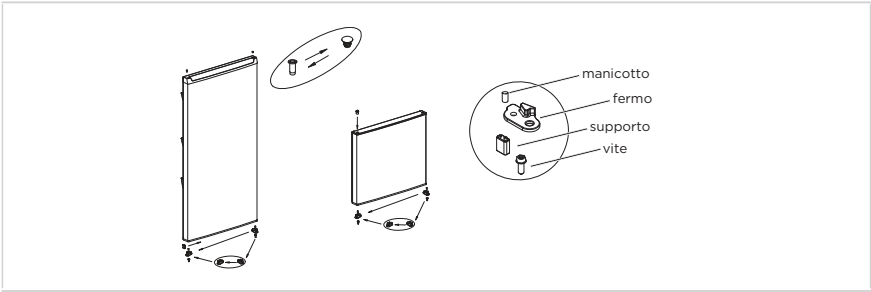
3. Rimuovere la cerniera centrale, le viti, il tappo dei fori per viti, quindi smontare lo sportello del congelatore.



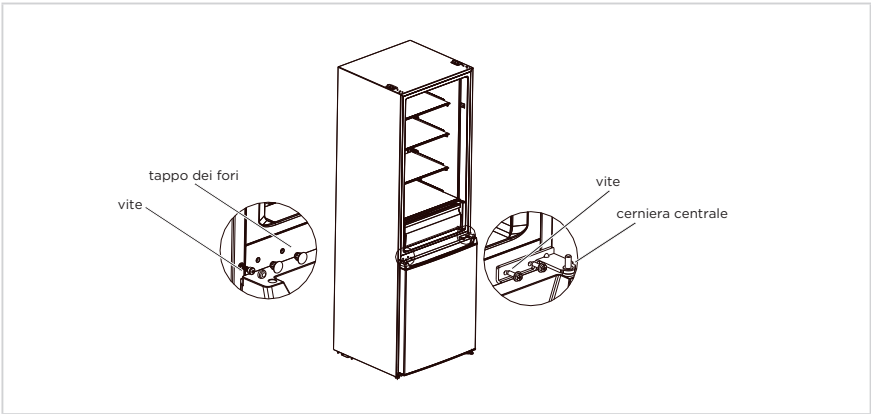
4. Rimuovere la cerniera inferiore, i tappi dei fori e le viti, installare l'albero della cerniera inferiore e il piedino di regolazione sull'altro lato della cerniera inferiore, dopodiché installare la cerniera sul lato opposto.



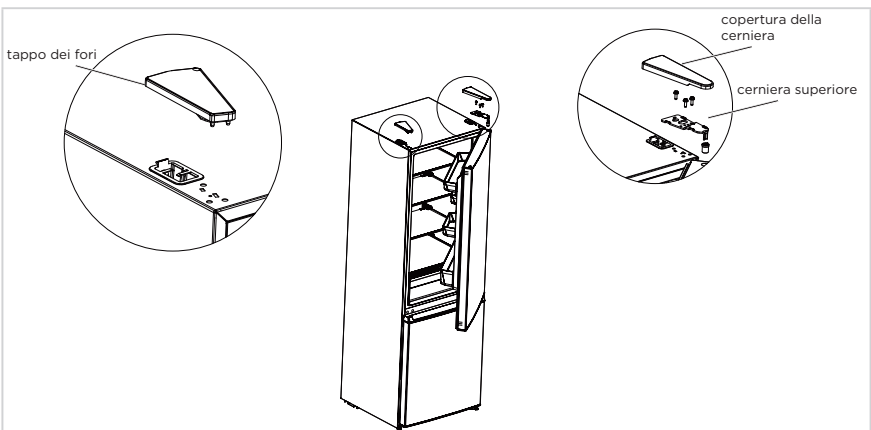
5. Rimuovere la vite, il manicotto e il fermo dallo sportello del frigorifero e da quello del congelatore, nonché il supporto del coperchio inferiore dello sportello del frigorifero. Successivamente, installarli sull'altro lato degli sportelli, procedendo in ordine. (Togliere il fermo inferiore dalla confezione degli accessori)
6. Invertire la posizione del manicotto e del tappo dei fori sul coperchio superiore dello sportello del frigorifero, quindi installare il manicotto della cerniera superiore dello sportello del congelatore nel foro dell'asse sull'altro lato.



7. Posizionare lo sportello del vano frigorifero sulla cerniera centrale e installare la cerniera superiore e il coperchio della cerniera.



8. Posizionare lo sportello del frigorifero sulla cerniera centrale, quindi installare la cerniera superiore, la copertura della cerniera e il tappo dei fori.



ATTENZIONE

La figura sopra riportata viene fornita solo a scopo indicativo. La configurazione effettiva dipende dalle caratteristiche fisiche del prodotto e dalle indicazioni del distributore.

Collocazione

- Prima dell'utilizzo, rimuovere tutti i materiali di imballaggio, le imbottiture della base e quelle in gommapiuma, oltre ai nastri adesivi all'interno del frigorifero; inoltre rimuovere le pellicole protettive sulle porte e il corpo del frigorifero.
- Tenere il prodotto lontano da fonti di calore ed evitare l'esposizione diretta alla luce solare. Non collocare il frigorifero in ambienti umidi per prevenire la formazione di ruggine e la riduzione dell'effetto isolante.
- Non spruzzare con liquidi né bagnare il frigo; non collocare il frigorifero in ambienti umidi per non comprometterne le capacità di isolamento elettrico.
- Collocare il frigorifero al chiuso in un ambiente ben ventilato, poggiandolo su un terreno piano e robusto (ruotare le rotelle a sinistra o a destra per regolarne il livellamento in caso di instabilità).



Piedini di livellamento

Per evitare vibrazioni, l'unità deve trovarsi in piano.

Se necessario, regolare le viti di livellamento per compensare le irregolarità del pavimento.

La parte anteriore deve essere leggermente più alta rispetto a quella posteriore per facilitare la chiusura dello sportello,

Le viti di livellamento possono essere girate facilmente ribaltando leggermente il mobile.

Girare le viti di livellamento in senso antiorario  per sollevare l'unità, in senso orario  per abbassarla.

Spostamento dell'apparecchio

1. Rimuovere tutti gli alimenti che si trovano all'interno dell'apparecchio.
2. Scollegare la spina di alimentazione, inserirla e fissarla nell'apposito gancio posto sul retro o sulla parte superiore dell'apparecchio.
3. Avvolgere con nastro adesivo parti come i ripiani e la maniglia dello sportello per evitare che cadano durante lo spostamento dell'apparecchio.
4. Spostare con cautela l'apparecchio insieme a più di due persone. In caso di trasporto dell'apparecchio per lunghi tratti, tenere l'apparecchio in posizione verticale.
5. Dopo aver installato l'apparecchio, collegare la spina a una presa di corrente per accenderlo.

ATTENZIONE

Precauzioni prima dell'utilizzo:

Prima di apportare eventuali modifiche, il frigorifero deve essere scollegato dall'alimentazione, inoltre è necessario prendere le dovute precauzioni per evitare lesioni personali.

Sostituzione della luce

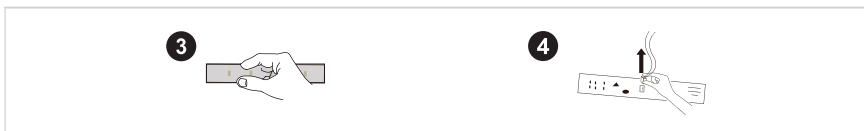
- Tutte le operazioni di sostituzione e manutenzione delle lampadine LED devono essere eseguite dal produttore, dal tecnico di assistenza autorizzato o da personale altrettanto qualificato. Questo prodotto contiene una sorgente luminosa con classe di efficienza energetica <F>.

Procedura

1. Staccare la spina prima di procedere con la rimozione.
2. Rimuovere il coprilampada con un cacciavite



3. Togliere il pannello della lampada.
4. Rimuovere il morsetto di collegamento.



Collegamento dell'apparecchio

Al primo utilizzo, attendere mezz'ora prima di collegare il frigorifero all'alimentazione.

ATTENZIONE

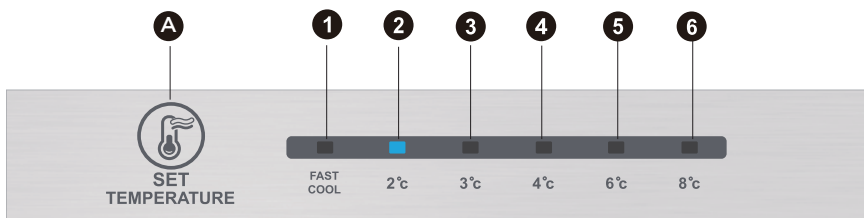
Prima di conservare vivande fresche o congelate nel frigorifero, esso deve essere stato in funzione almeno 2 o 3 ore, ovvero oltre 4 ore in estate, quando la temperatura ambientale è molto alta.

Suggerimenti per il risparmio energetico

- L'elettrodomestico deve essere collocato nell'area meglio ventilata della stanza, lontano dal calore di altre apparecchiature, da fonti di calore e dalla luce solare diretta.
- Far raffreddare i cibi caldi a temperatura ambiente prima di collocarli nel frigorifero. Un sovraccarico dell'apparecchio richiede un maggiore sforzo del compressore. I cibi che congelano troppo lentamente possono perdere qualità e andare a male.
- Avvolgere le vivande in adeguati contenitori protettivi e asciugarli prima di metterli in frigo. Ciò riduce la formazione di brina all'interno dell'apparecchio.
- I vani di conservazione del frigorifero non devono essere foderati con fogli di alluminio, carta oleata o tovaglioli di carta. Questi materiali possono interferire con la circolazione dell'aria fredda, riducendo l'efficienza dell'apparecchio.
- Sistemare in modo ordinato gli alimenti utilizzando apposite etichette, per evitare ricerche prolungate che costringano a tenere lo sportello aperto troppo a lungo. Estrarre in una sola volta tutti gli alimenti desiderati e richiudere immediatamente lo sportello.

ISTRUZIONI DI FUNZIONAMENTO

Pannello comandi



IT

ATTENZIONE

La figura sopra riportata viene fornita solo a scopo indicativo. La configurazione effettiva dipende dalle caratteristiche fisiche del prodotto e dalle indicazioni del distributore.

Tasti

A	Pulsante di impostazione della temperatura
---	--

Schermo del display

1	impostazione temperatura 1
2	impostazione temperatura 2
3	impostazione temperatura 3
4	impostazione temperatura 4
5	impostazione temperatura 5
6	impostazione temperatura 6

Display

All'accensione del frigorifero, lo schermo del display (compresa la luce dei tasti) si illumina completamente per 3 secondi, dopodiché il frigorifero inizierà a funzionare secondo l'impostazione della temperatura 3.

Visualizzazione delle condizioni di funzionamento

In caso di guasto, la spia LED corrispondente visualizzerà il codice del guasto (nel display di riciclo);

In assenza di guasti, la spia LED visualizza l'impostazione di temperatura esistente.

ATTENZIONE

Il pannello di controllo effettivo può variare da un modello all'altro.

IT

Istruzioni di funzionamento

Impostazione del livello

- L'impostazione della temperatura verrà modificata ogni volta che viene premuto il tasto SET. Dopo 15 secondi, il frigorifero funzionerà secondo il nuovo valore di impostazione.

Impostazione 1 → Impostazione 2 → Impostazione 3 → Impostazione 4 → Impostazione 5 → Impostazione 6 → Impostazione 1 →

Modalità di raffreddamento rapido:

- Accedere all'impostazione della modalità: Modalità di raffreddamento rapido a modulazione circolatoria.
- Funzionamento: l'indicatore di raffreddamento rapido si accende e il frigorifero funziona a 2 °C.
- Modalità di raffreddamento rapido disabilitata automaticamente per 24 ore.
- La funzione di raffreddamento rapido può essere utilizzata come funzione di congelazione.

Regolazione della manopola della valvola dell'aria manuale

- Se si solleva il regolatore della valvola dell'aria, la temperatura effettiva all'interno del vano congelatore diminuisce; se si abbassa il regolatore della valvola dell'aria, la temperatura effettiva all'interno del vano congelatore aumenta.

FREEZER-TEMP

COLDEST

COLDER

COLD



Codice errore

- I seguenti avvisi appaiono sul display per indicare le corrispondenti situazioni di guasto del frigorifero. Anche se il frigorifero può continuare a refrigerare e conservare le vivande fredde pur in presenza di tali condizioni di errore, l'utente dovrà tempestivamente contattare gli addetti alla manutenzione per segnalare il problema e consentire il ritorno al normale funzionamento.

Codice di guasto	Descrizione del guasto
Il LED 1 e il LED 2 sono accesi	Circuito del sensore di temperatura del frigorifero
Il LED 1 e il LED 3 sono accesi	Sensore di sbrinamento del congelatore
Il LED 1 e il LED 4 sono accesi	Sensore della temperatura ambiente

ATTENZIONE

Nota: La funzione di congelamento veloce è pensata per preservare il valore nutritivo del cibo nel congelatore. Consente di congelare gli alimenti in brevissimo tempo. Se una grande quantità di cibo viene congelata in una sola volta, si consiglia di attivare la funzione di congelamento veloce e inserire il cibo nell'apparecchio. In questo modo, la velocità di congelamento del vano congelatore aumenta, consentendo di congelare rapidamente il cibo e facilitarne la conservazione, preservando efficacemente le sostanze nutritive.

Vano frigorifero

- La camera di refrigerazione è adatta per la conservazione di una varietà di frutta, verdura, bevande e altri alimenti consumati a breve termine, tempo di conservazione suggerito da 3 a 5 giorni.
- I cibi cotti non devono essere sistemati nel vano refrigerante senza prima averli fatti raffreddare a temperatura ambiente.
- Si suggerisce di chiudere ermeticamente le vivande prima di sistemarle in frigo.
- I ripiani in vetro possono essere sistemati in alto o in basso secondo quanto necessario per ottimizzare lo spazio di conservazione e migliorare l'utilizzo dell'apparecchio.

Vano congelatore

- Il vano congelatore a bassa temperatura può essere utilizzato per conservare cibi freschi per periodi prolungati, ma è usato soprattutto per la conservazione di cibi congelati e per creare cubetti di ghiaccio.
- Il vano congelatore è adatto alla conservazione di carne, pesce, arancini e altre vivande che non devono essere consumate a breve termine.
- I blocchi di carne di grandi dimensioni devono essere suddivisi in pezzi più piccoli per un congelamento rapido e una facile disposizione. Le vivande devono essere consumate entro la data di scadenza.

ATTENZIONE

Nota: La conservazione di una quantità eccessiva di alimenti subito dopo avere collegato per la prima volta l'apparecchio all'alimentazione potrebbe compromettere la funzione di congelamento del frigorifero.

Ordine	TIPOLOGIA scomparto	Temp. di conservazione nominale [°C]	Alimenti adatti
1	Frigorifero	+2 - +8	Uova, cibi cotti, cibi confezionati, frutta e verdura, latticini, dolci, bevande e altri alimenti non sono adatti alla congelazione.
2	(***)*-Congelatore	≤-18	Frutti di mare (pesci, gamberetti, crostacei), prodotti ittici d'acqua dolce e prodotti a base di carne (conservazione raccomandata per 3 mesi: più lungo è il tempo di conservazione, peggiori saranno il gusto e le proprietà nutrizionali) sono alimenti freschi adatti ad essere congelati.
3	***-Congelatore	≤-18	Frutti di mare (pesci, gamberetti, crostacei), prodotti ittici d'acqua dolce e prodotti a base di carne (conservazione raccomandata per 3 mesi: più lungo è il tempo di conservazione, peggiori saranno il gusto e le proprietà nutrizionali) sono alimenti freschi adatti ad essere congelati.
4	** -Congelatore	≤-12	Frutti di mare (pesci, gamberetti, crostacei), prodotti ittici d'acqua dolce e prodotti a base di carne (conservazione raccomandata per 3 mesi: più lungo è il tempo di conservazione, peggiori saranno il gusto e le proprietà nutrizionali) sono alimenti freschi adatti ad essere congelati.
5	*-Congelatore	≤-6	Frutti di mare (pesci, gamberetti, crostacei), prodotti ittici d'acqua dolce e prodotti a base di carne (conservazione raccomandata per 3 mesi: più lungo è il tempo di conservazione, peggiori saranno il gusto e le proprietà nutrizionali) sono alimenti freschi adatti ad essere congelati.
6	0 stelle	-6 - 0	Carne fresca di maiale, manzo, pesce, pollo, alcuni cibi trattati e confezionati, ecc. (si consiglia di consumare questi alimenti lo stesso giorno o al massimo entro 3 giorni). Alimenti parzialmente trasformati e incapsulati (alimenti non congelabili).
7	Conservazione a breve termine	-2 - +3	Carne di maiale fresca/congelata, manzo, pollo, prodotti ittici d'acqua dolce, ecc. (7 giorni sotto 0 °C e sopra 0 °C si consiglia di consumarli entro lo stesso giorno, preferibilmente entro non più di 2 giorni). Prodotti ittici (meno di 0 per 15 giorni, si sconsiglia di conservarli sopra 0 °C).
8	Alimenti freschi	0 +4	Carne fresca di maiale, manzo, pesce, pollo, cibi cotti, ecc. (si consiglia di consumare questi alimenti lo stesso giorno o al massimo entro 3 giorni).
9	Vino	+5 - +20	Vino rosso, vino bianco, spumante, ecc.

ATTENZIONE

conservare gli alimenti in base agli scomparti o alla temperatura di conservazione desiderata.

PULIZIA E MANUTENZIONE

Pulizia complessiva

- La polvere dietro al frigorifero e sul pavimento deve essere regolarmente rimossa per migliorare il funzionamento e risparmiare energia.
- Controllare periodicamente l'accumulo di detriti sulla guarnizione della porta. Pulire la guarnizione dello sportello con un panno morbido imbevuto con acqua e sapone o con un detergente diluito.
- L'interno del frigorifero va pulito regolarmente per evitare la formazione di cattivi odori.
- Prima di procedere alla pulizia degli interni, scollegare l'alimentazione, rimuovere tutti i cibi e le bevande, oltre a scaffali, cassette ecc.
- Pulire l'interno del frigorifero con un panno morbido o una spugna, imbevuti in una soluzione di 1 L di acqua tiepida con due cucchiaini di bicarbonato di sodio. Successivamente, risciacquare con acqua e asciugare accuratamente. Dopo la pulizia, lasciare aperto lo sportello e lasciare asciugare all'aria prima di ricollegare l'alimentazione elettrica.
- La pulizia di aree del frigo che sono difficili da raggiungere (quali angoli e aperture strette) va effettuata regolarmente servendosi di uno straccio o un pennello morbido. Se necessario, servirsi di strumenti aggiuntivi di pulizia (ad es., bastoncini) per evitare l'accumulo di sporco e residui contaminanti in tali punti.
- Non usare saponi, detersivi, polveri abrasive, detersivi spray e simili, che potrebbero causare l'accumulo di cattivi odori e anche la contaminazione delle vivande all'interno del frigorifero.
- Pulire il ripiano delle bottiglie, scaffali e cassette con un panno morbido imbevuto con acqua e sapone o un detergente diluito. Asciugare con un panno morbido o lasciare asciugare all'aria.
- Pulire la superficie esterna del frigorifero con un panno morbido imbevuto con acqua e sapone, un detergente, o prodotti simili, quindi asciugare.
- Non usare spazzole rigide o metalliche, strumenti di pulizia in acciaio, sostanze abrasive (ad es. dentifrici), solventi organici (quali alcol, acetone, acetato di isoamile, ecc.), acqua bollente, sostanze acide o alcaline, che potrebbero danneggiare la superficie e l'interno del frigo. L'acqua bollente e i solventi organici, come il benzene, potrebbero deformare o danneggiare le parti in plastica.
- Durante le operazioni di pulizia, non lavare direttamente con acqua o altri liquidi per evitare il rischio di corto circuito e non compromettere l'isolamento elettrico dell'elettrodomestico.

ATTENZIONE

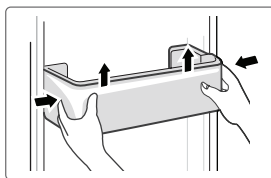
Scollegare il frigorifero dall'alimentazione elettrica prima di procedere a sbrinamento e pulizia.

Sbrinamento

- Il frigorifero funziona in base al principio di raffreddamento ad aria ed è dotato della funzione di sbrinamento automatico. Il ghiaccio che si forma a causa di variazioni stagionali di temperatura può essere rimosso anche manualmente, scollegando l'apparecchio dall'alimentazione elettrica o utilizzando un panno asciutto.

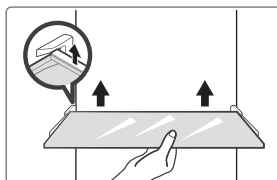
Pulizia del balconcino della porta

- Seguendo la freccia direzionale indicata nella figura seguente, afferrare il vassoio con entrambe le mani e spingerlo verso l'alto per poi estrarlo.
- Dopo avere lavato il vassoio precedentemente rimosso, è possibile regolare l'altezza di installazione secondo le proprie esigenze.



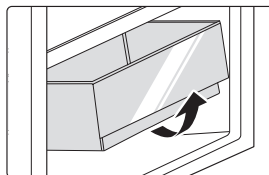
Pulizia dei ripiani in vetro

- Poiché la parte interna del frigo viene a contatto con i ripiani e funge da arresto, è possibile sollevare i ripiani per estrarli.
- Pulire e sistemare i ripiani come richiesto.



Pulizia del cassetto delle verdure

1. Rimuovere i contenuti del cassetto. Afferrare la maniglia del cassetto delle verdure ed estrarlo completamente fino all'arresto.
2. Sollevare il cassetto delle verdure e rimuoverlo estraendolo completamente.



Guasti di funzionamento

Interruzione di corrente:

In caso di interruzioni di corrente, il frigorifero è in grado di conservare le vivande contenute al suo interno per diverse ore, anche in estate. Durante l'interruzione di corrente, ridurre le aperture del frigo ed evitare di inserirvi nuove vivande fresche.

Periodi prolungati di mancato utilizzo:

In tal caso il frigorifero deve essere scollegato dall'alimentazione elettrica, lasciando la porta aperta per evitare la formazione di cattivi odori al suo interno.

Spostamenti:

Prima di spostare il frigorifero, svuotarlo completamente, fissare con del nastro adesivo le divisioni in vetro, il contenitore delle verdure, il vano congelatore, i cassettei ecc. Inoltre stringere i piedini di livellamento, chiudere le porte e fissarle con del nastro adesivo. Durante lo spostamento, non capovolgere il frigorifero, né muoverlo orizzontalmente, evitando di sottoporlo a urti e vibrazioni.

L'inclinazione durante il trasporto non deve superare i 45°.

● ATTENZIONE

Una volta avviato, l'apparecchio deve funzionare ininterrottamente. In generale, l'utilizzo del frigorifero non deve essere interrotto, per evitare di comprometterne il corretto funzionamento.

RISOLUZIONE DEI PROBLEMI

I seguenti problemi semplici possono essere risolti dall'utente. Contattare il servizio di assistenza post-vendita se non è possibile risolvere questi problemi.

Problema	Possibile causa
Mancato funzionamento	• Controllare che l'elettrodomestico sia collegato all'alimentazione elettrica e che la spina sia ben inserita nella presa.
	• Verificare che la tensione non sia troppo bassa.
	• Verificare che non ci siano interruzioni di corrente o cortocircuiti anche parziali
Cattivi odori	• Le vivande che emanano forte odore devono essere accuratamente protette
	• Controllare che non ci siano alimenti andati a male.
	• Pulire l'interno del frigorifero
Usura del compressore per funzionamento prolungato	• Un utilizzo prolungato del compressore è normale in estate quando la temperatura ambientale è più elevata.
	• Si suggerisce in ogni caso di non sovraccaricare mai con troppe vivande il frigorifero
	• Le vivande calde devono essere fatte raffreddare prima di essere messe in frigo
	• Gli sportelli vengono aperti troppo di frequente
La luce non si accende	• Controllare che il frigorifero sia collegato correttamente all'alimentazione e che la lampadina non sia danneggiata.
	• La luce deve essere sostituita da un tecnico esperto
Lo sportello non si chiude correttamente	• È possibile che lo sportello sia ostruito da confezioni di cibo.
	• Il frigorifero è inclinato.
Rumori forti	• Controllare che il pavimento sia livellato e che il frigorifero vi sia poggiato in modo stabile
	• Controllare che gli accessori siano posizionati correttamente.

Problema	Possibile causa
La guarnizione dello sportello non garantisce una chiusura ermetica	<ul style="list-style-type: none"> • Rimuovere corpi estranei dalla guarnizione della porta. • Riscaldare e raffreddare la guarnizione della porta per ripristinarla (oppure servirsi di un asciugatore elettrico o di una tovaglia bollente per riscaldarla)
Fuoriuscita dell'acqua dalla vaschetta di raccolta	<ul style="list-style-type: none"> • C'è troppo cibo nel vano refrigerante oppure le vivande conservate contengono troppa acqua, che causa un eccessivo sbrinamento. • Gli sportelli non si chiudono correttamente, causando la formazione di ghiaccio a causa dell'ingresso di aria e un aumento dell'acqua di sbrinamento.
L'involucro esterno dell'apparecchio è caldo	<ul style="list-style-type: none"> • La dissipazione di calore del condensatore integrato avviene normalmente tramite l'alloggiamento del frigo. Se l'alloggiamento diventa troppo caldo a causa dell'elevata temperatura ambientale o per la conservazione di troppe vivande, si suggerisce di garantire un'adeguata ventilazione per facilitare la dissipazione del calore
Condensa sulla superficie	<ul style="list-style-type: none"> • La formazione di condensa sulla superficie esterna e sulle guarnizioni degli sportelli del frigorifero è normale quando l'umidità dell'ambiente è elevata. È sufficiente asciugare la condensa con un panno pulito.
Rumori anomali	<ul style="list-style-type: none"> • Ronzio: il compressore può produrre dei ronzii, in particolare in fase di accensione e spegnimento. Ciò è perfettamente normale. • Cigolii: Il flusso del refrigerante all'interno dell'elettrodomestico può produrre cigolii, il che è normale.

IT

APPENDICE

Disposizioni speciali dei nuovi standard europei

I pezzi di ricambio indicati nella tabella che segue possono essere acquistati tramite il servizio di assistenza

Parte da ordinare	Fornita da	Tempo minimo di messa a disposizione
Termostati	Personale di manutenzione professionale	Almeno 7 anni dopo il lancio sul mercato dell'ultimo modello
Sensori di temperatura	Personale di manutenzione professionale	Almeno 7 anni dopo il lancio sul mercato dell'ultimo modello
Circuiti stampati	Personale di manutenzione professionale	Almeno 7 anni dopo il lancio sul mercato dell'ultimo modello
Sorgente luminosa	Personale di manutenzione professionale	Almeno 7 anni dopo il lancio sul mercato dell'ultimo modello
Maniglie degli sportelli	Riparatori professionisti e utenti finali	Almeno 7 anni dopo il lancio sul mercato dell'ultimo modello
Cerniere dello sportello	Riparatori professionisti e utenti finali	Almeno 7 anni dopo il lancio sul mercato dell'ultimo modello
Vassoi	Riparatori professionisti e utenti finali	Almeno 7 anni dopo il lancio sul mercato dell'ultimo modello
Cestelli	Riparatori professionisti e utenti finali	Almeno 7 anni dopo il lancio sul mercato dell'ultimo modello
Guarnizioni dello sportello	Riparatori professionisti e utenti finali	Almeno 10 anni dopo il lancio sul mercato dell'ultimo modello

Gentile cliente

1. Per restituire o sostituire il prodotto, rivolgersi al punto vendita presso cui è stato acquistato.

(Ricordarsi di portare la ricevuta dell'acquisto)

2. In caso il prodotto necessiti di riparazione, occorre contattare il centro di assistenza post-vendita.

ATTENZIONE

Le informazioni sul modello contenute nel database e l'identificativo del modello possono essere ottenuti attraverso un link ed eseguendo la scansione del codice QR, se presente, riportato sull'etichetta energetica del prodotto.

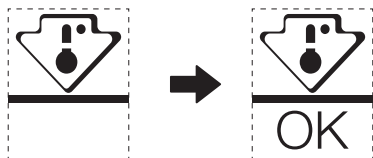
Per ulteriori informazioni sull'efficienza energetica dell'apparecchio, visitare il sito <https://ec.europa.eu> e cercare il nome del modello.

Il nome del modello è riportato sull'etichetta dati dell'apparecchio.

Zona più fredda del frigorifero

OPZIONALE: indicatore temperatura OK

- L'indicatore temperatura OK può essere utilizzato per determinare le temperature inferiori a +4 °C. Ridurre gradualmente la temperatura qualora l'indicatore non indichi "OK".



- Per mantenere la temperatura di quest'area, non cambiare la posizione dello scaffale. Nei frigoriferi ad aria compressa (dotati di ventola o nei modelli No Frost), il simbolo della zona più fredda è assente, perché la temperatura interna è omogenea.

Impostazione della temperatura

- Per configurare al meglio il frigorifero, esso è dotato di un indicatore di temperatura che controlla la temperatura media nella zona più fredda.
- **AVVERTENZA:** Questo indicatore funziona solo in questo modello, non tentare di usarlo in altri frigoriferi (nei quali la zona più fredda è diversa), né per nessun altro scopo.

Controllo della temperatura nella zona più fredda

- L'indicatore di temperatura permette di controllare con regolarità la corretta temperatura della zona più fredda. In realtà, la temperatura interna del frigo dipende da vari fattori, quali la temperatura ambientale esterna, la quantità di cibo conservata e la frequenza di apertura della porta. Tenere conto di questi fattori per configurare il dispositivo.
- Quando l'indicatore mostra «OK», il termostato è ben regolato e la temperatura interna è corretta.
- Se l'indicatore di temperatura diventa BIANCO, vuol dire che la temperatura è troppo alta; in tal caso, incrementare l'impostazione del controllo di temperatura del frigo e attendere 12 ore prima di controllare di nuovo l'indicatore. Dopo aver inserito cibo fresco in frigo o dopo l'apertura della porta, è possibile che l'indicatore di temperatura diventi BIANCO dopo un po' di tempo.

DOCUMENTAZIONE E CERTIFICAZIONI

Dichiarazione di conformità

Con la presente confermiamo che i nomi dei modelli dei clienti e i nomi dei modelli Midea corrispondono rispettivamente ai nomi dei modelli in questione.

Marca	Modello Midea	Modello commerciale	Modello di fabbrica
Midea	HD-403RWENJ	MDRB424FGE01I	CE-BCD310WE-JT
Midea	HD-403RWENJ	MDRB424FGE02I	CE-BCD310WE-JT

IT

Nome del produttore: Guangzhou Midea Hualing Refrigerator Co., Ltd.
Indirizzo del produttore: N. 5 Xinguangsi Road, Qianfeng Zhujiang, Nansha District, Guangzhou City, Guangdong Province, Repubblica Popolare Cinese

Noi sottoscritti, Guangzhou Midea Hualing Refrigerator Co., Ltd., dichiariamo che i prodotti di cui sopra sono conformi alle norme e agli standard attualmente in vigore.

GRACIAS POR SU CARTA

¡Gracias por elegir Midea! Antes de usar su nuevo producto Midea, lea detenidamente este manual para asegurarse de que sabe cómo operar las características y funciones que su nuevo aparato ofrece de forma segura.

CONTENIDO

GRACIAS POR SU CARTA	01
ESPECIFICACIONES	02
VISTA GENERAL DEL PRODUCTO	03
INSTALACIÓN DEL PRODUCTO	04
INSTRUCCIONES DE FUNCIONAMIENTO	11
LIMPIEZA Y MANTENIMIENTO	15
PROBLEMAS Y SOLUCIONES	17
APÉNDICE	19
DOCUMENTOS Y CERTIFICACIONES	21

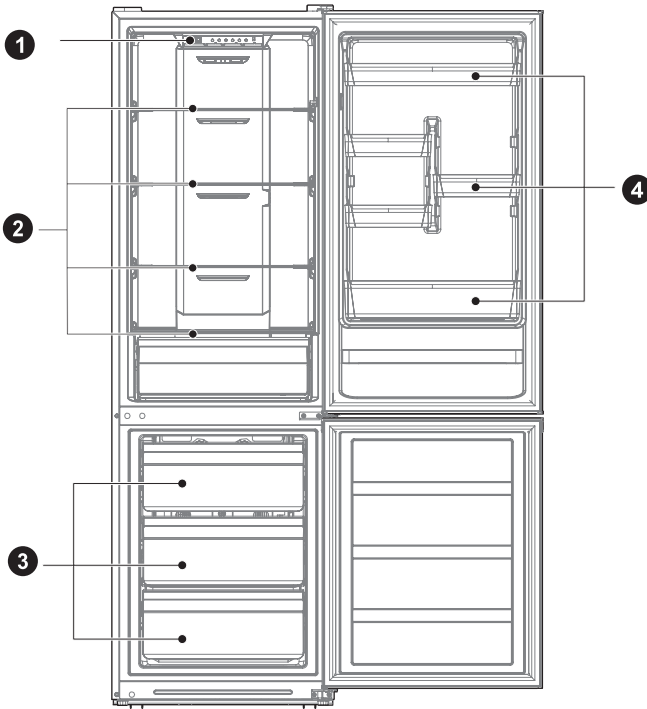
ESPECIFICACIONES

Modelo del producto	MDRB424FGE01 MDRB424FGE02I
Volumen del compartimento de almacenamiento de alimentos frescos	224 L
Volumen de almacenamiento de alimentos congelados	86 L
Tipo de descongelación	Descongelación automática
Tiempo de aumento de temperatura	8 h
Capacidad de congelación	3,9 kg/24h
Tensión nominal	220-240 V-
Corriente nominal	0.8 A
Dimensiones generales (A × A × D)	1880x595x630 mm

ES

VISTA GENERAL DEL PRODUCTO

Nombres de los componentes



- 1 Cajón
- 2 Repisa

- 3 Cajón
- 4 Bandeja de la puerta

● ATENCIÓN

La imagen que aparece arriba tiene solo una finalidad de referencia. La configuración real dependerá del producto físico o declaración por parte del distribuidor.

INSTALACIÓN DEL PRODUCTO

Instrucciones de instalación

Para aparatos frigoríficos con clase climática

- Dependiendo de la clase climática, este aparato de refrigeración está diseñado para usarse dentro de los rangos de temperatura ambiente especificados en la siguiente tabla.
- La clase climática se puede encontrar en la placa de características. El producto podría no funcionar adecuadamente a temperaturas que no estén comprendidas en el rango especificado.
- Puede encontrar la clase de clima en la etiqueta del producto.

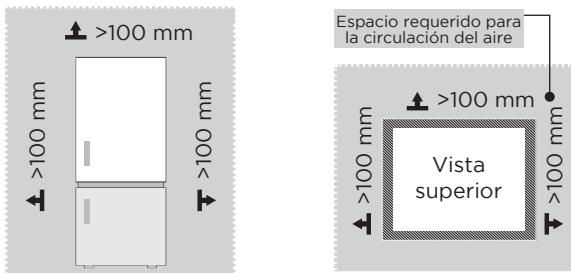
Rango de temperatura efectiva

- La nevera está diseñada para funcionar con normalidad dentro del rango de temperaturas especificado en su clasificación.

Clase	Símbolo	Alcance de temperatura ambiente °C	
		IEC 62552 (ISO 15502)	ISO 8561
Templada extendida	SN	+ 10 hasta + 32	+ 10 hasta + 32
Templada	N	+ 16 hasta + 32	+ 16 hasta + 32
Subtropical	ST	+ 16 hasta + 38	+ 18 hasta + 38
Tropical	T	+ 16 hasta + 43	+ 18 hasta + 43

Dimensiones y espacios libres

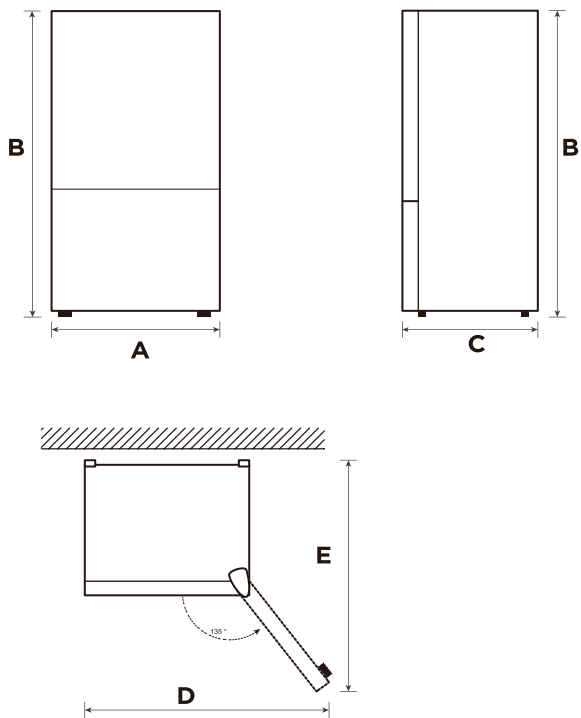
- Si es demasiado pequeño de una distancia desde elementos adyacentes se puede provocar la degradación de la capacidad de congelación y aumentar los costes de electricidad. Deje más de 100 mm de espacio libre desde cada pared adyacente cuando instale el aparato.



⚠ ATENCIÓN

La imagen que aparece arriba tiene solo una finalidad de referencia. La configuración real dependerá del producto físico o declaración por parte del distribuidor.

Diagrama de requerimientos de espacio (cuando la puerta esté abierta y cuando la puerta esté cerrada)



ES

Anchura	Altura general	Profundidad	Anchura con las puertas abiertas 3.40 m	Profundidad con las puertas abiertas 3.40 m
A	B	C	D	E
595	1880	630	988	1074

Aviso: Todas las dimensiones son en milímetros

Cambio de puerta de derecha a izquierda (opcional)

Basándose en la ubicación donde piense usar el frigorífico, puede que encuentre más práctico invertir la posición de la puerta.

PRECAUCIÓN

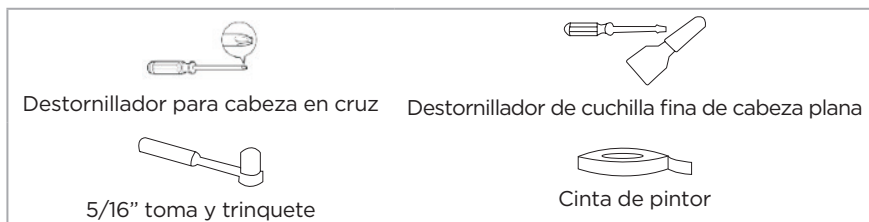
PRECAUCIÓN: Para evitar lesiones personales o a la propiedad, le recomendamos que otra persona le ayude durante el proceso de invertir la apertura de la puerta.

Preparación para invertir la posición de la puerta

Necesitará: un destornillador estándar, un destornillador de cabeza Phillips y la llave Allen que se adjunta.

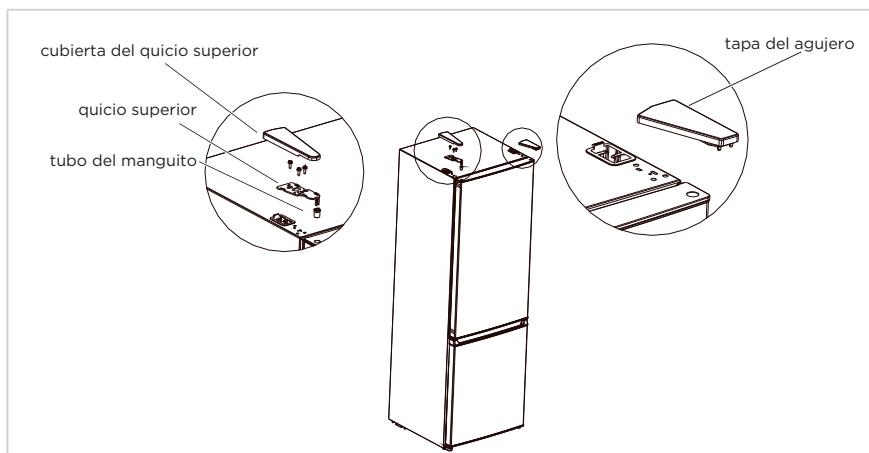
- Asegúrese de que su frigorífico está desenchufado y vacío.
- Consiga que otra persona le ayude durante el proceso.
- Guarde todas las piezas que retire para reutilizarlas más tarde.

Herramientas necesarias para cambiar la puerta:

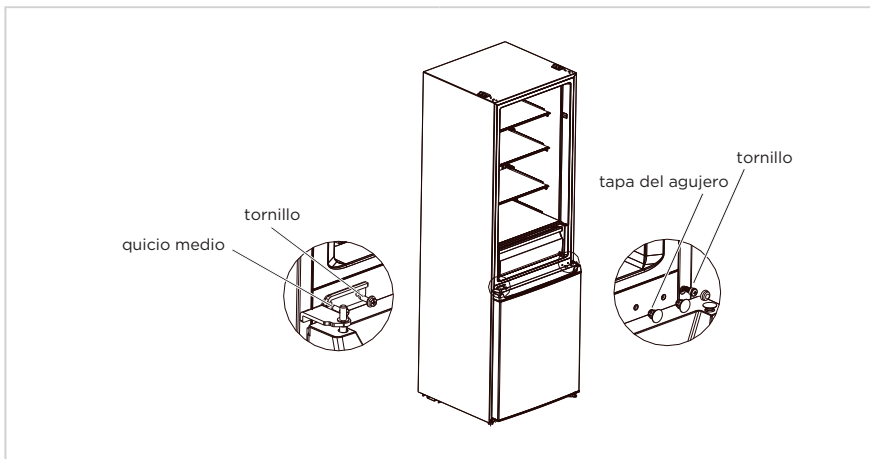


Paso

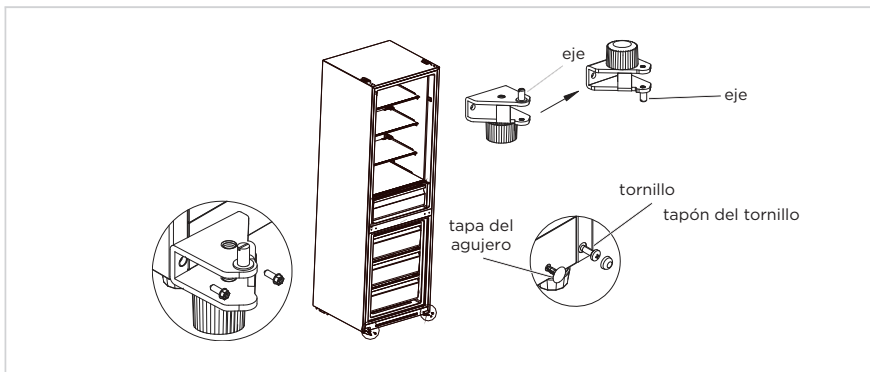
1. Apague el frigorífico y retire todos los objetos de las bandejas de la puerta.
2. Desmonte la cubierta del quicio superior, desconecte los cables de señal, el quicio superior y la tapa del agujero del otro lado, y saque la puerta del frigorífico.



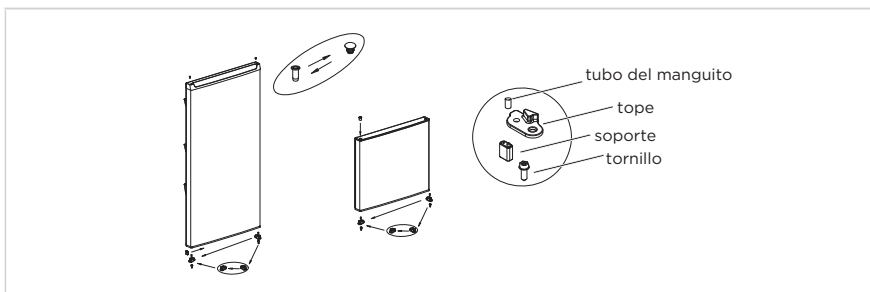
3. Desmonte el quicio medio, los tornillos, los tapones de los agujeros de los tornillos y retire la puerta del congelador.



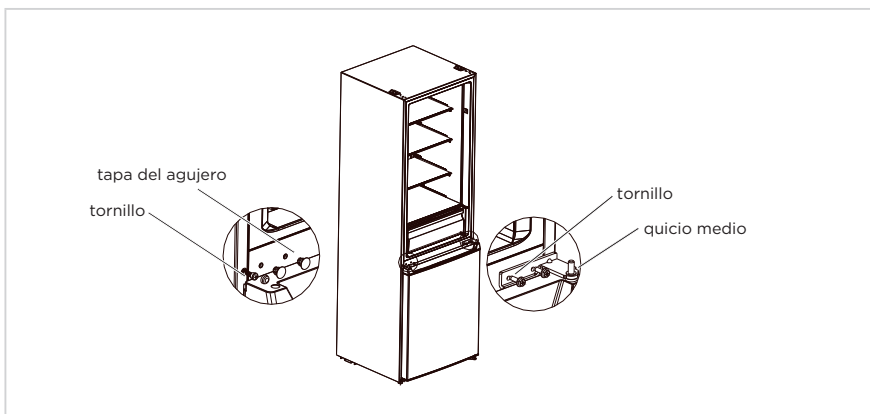
4. Desmonte el quicio inferior, las tapas de los agujeros y los tornillos; instale el eje del quicio inferior y ajuste la pata en el otro lado del quicio inferior y, a continuación, instale el quicio en el otro lado.



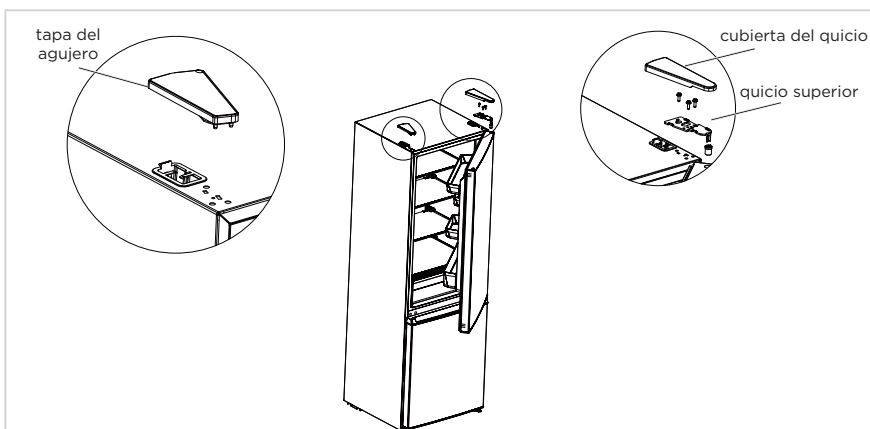
5. Desmonte el tornillo, el tubo de manguito y el tope de la puerta del frigorífico y de la puerta del congelador, y retire también el soporte de la cubierta inferior de la puerta del frigorífico. A continuación, instálelos en el otro lado de las puertas por orden. (Saque el tope inferior de la bolsa de accesorios)
6. Cambie la posición del tubo del manguito y la tapa del agujero en la cubierta superior de la puerta del frigorífico, e instale el manguito del quicio superior de la puerta del congelador en el orificio del otro lado del manguito del eje.



7. Coloque la puerta del congelador en el quicio inferior, instale el quicio medio, los tornillos y los tapones de los agujeros de los tornillos.



8. Coloque la puerta del refrigerador sobre el quicio medio, instale el quicio superior, la cubierta del quicio superior y la tapa del agujero.



● ATENCIÓN

La imagen que aparece arriba tiene solo una finalidad de referencia. La configuración real dependerá del producto físico o declaración por parte del distribuidor.

ES

Colocación

- Antes de su uso, retire todos los materiales del embalaje, incluyendo almohadillados inferiores, almohadillados de espuma y Cintas del interior del frigorífico; retire la película protectora de las puertas y de la carcasa del frigorífico.
- Manténgalo alejado del calor y evite la luz solar directa. No coloque el congelador en espacios húmedos o con agua para prevenir el óxido o la reducción del efecto de aislamiento.
- No pulverice o lave el frigorífico; no coloque el frigorífico en espacios húmedos donde sea fácil salpicarlo con agua para no afectar a las propiedades aislantes eléctricas del frigorífico.
- El frigorífico debe colocarse en un espacio interior bien ventilado; el piso debe ser plano y robusto (gírelo a la izquierda o derecha para ajustar las ruedas para nivelar si es inestable).

ES



Nivelación de los pies

Para evitar vibraciones, se debe nivelar la unidad.

Si es necesario, ajuste los tornillos de nivelación para compensar el suelo irregular.

La parte delantera debe ser ligeramente más alta que la trasera para ayudar al cierre de la puerta.

Los tornillos de nivelación se pueden girar con facilidad inclinando ligeramente el aparato.

Gire en sentido antihorario los tornillos de nivelación  para subir la unidad y en sentido horario  para bajarla.

Mover el aparato

1. Saque toda la comida del interior del aparato.
2. Desenchufe el cable de alimentación, inserte el enchufe y fíjelo en el gancho a tal efecto en la parte trasera o superior del aparato.
3. Fije con cinta adhesiva las piezas como las estanterías y el mango de la puerta para que no se caigan cuando se mueva el aparato.
4. Mueva el aparato usando dos o más personas y con cuidado. Cuando transporte el aparato una larga distancia, mantenga el aparato en posición vertical.
5. Tras instalar el aparato, conecte el enchufe a una toma de corriente y encienda el aparato.

ATENCIÓN

Precauciones antes del funcionamiento:

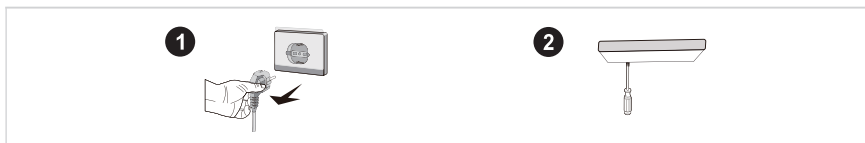
Antes de realizar cambios, el frigorífico debe desconectarse de la corriente. Deben tomarse precauciones para evitar cualquier daño personal.

Cambio de lámparas

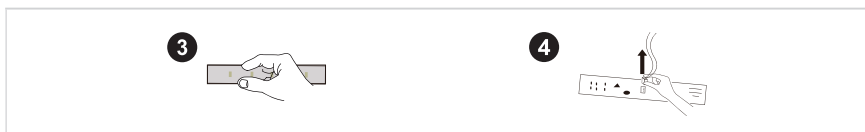
- Cualquier sustitución o mantenimiento de las bombillas LED está previsto que lo realice el fabricante, su agente de mantenimiento o una persona con una cualificación similar. Este producto contiene una fuente de luz de eficiencia energética de clase <F>.

Paso

1. Desconecte el enchufe antes de la retirada.
2. Utilice un destornillador para retirar la pantalla de la lámpara.



3. Desmonte el panel de la lámpara.
4. Quite el terminal de conexión.



ES

Conexión del aparato

Antes de empezar a usarlo, mantenga el frigorífico quieto durante media hora antes de conectarlo a la alimentación.

⚠ ATENCIÓN

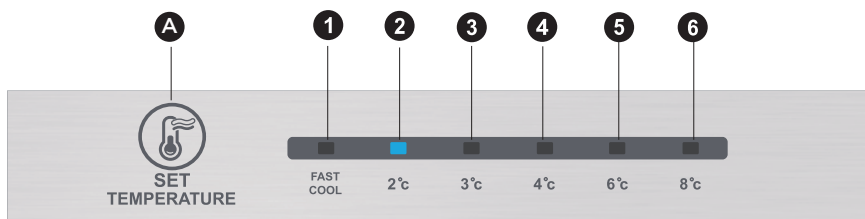
Antes de colocar cualquier alimento fresco o congelado, el frigorífico debe haber estado funcionando durante 2-3 horas, o más de 4 horas en verano cuando la temperatura ambiente es alta.

Consejos para ahorrar energía

- El aparato debe colocarse en la zona más fresca de la sala, alejado del calor que produzcan aparatos o conductos de calefacción y alejado de la luz solar directa.
- Deje que los alimentos calientes se enfríen a temperatura ambiente antes de colocarlos en el aparato. Sobrecargar el aparato fuerza al compresor a funcionar durante más tiempo. Los alimentos que se congelan muy lentamente pueden perder calidad o estropearse.
- Asegúrese de envolver adecuadamente los alimentos y secar los recipientes antes de colocarlos en el aparato. Esto disminuye la acumulación de hielo dentro del aparato.
- La cesta de almacenamiento del aparato no debe revestirse de papel de aluminio, papel de cera o toallitas de papel. Los revestimientos interfieren con la circulación del aire frío, haciendo que el aparato sea menos eficiente.
- Organice y etiquete los alimentos para reducir las aperturas de la puerta y búsquedas prolongadas. Retire tantos artículos como necesite de una vez y cierre la puerta a la mayor brevedad posible.

INSTRUCCIONES DE FUNCIONAMIENTO

Panel de control



ES

● ATENCIÓN

La imagen que aparece arriba tiene solo una finalidad de referencia. La configuración real dependerá del producto físico o declaración por parte del distribuidor.

Teclas

A	Botón de alarma/encendido/apagado
---	-----------------------------------

Pantalla

1	Configuración de temperatura 1
2	Configuración de temperatura 2
3	Configuración de temperatura 3
4	Configuración de temperatura 4
5	Configuración de temperatura 5
6	Configuración de temperatura 6

Pantalla

Cuando se encienda el frigorífico, la pantalla (incluyendo la luz principal) brillará completamente durante 3 segundos; posteriormente, el frigorífico funciona conforme a la configuración de temperatura 3.

Pantalla de funcionamiento normal

En caso de que se produzca un fallo, la luz LED correspondiente mostrará una pantalla combinada del código de fallo (en la pantalla de reciclaje);

Cuando no haya ningún fallo, la luz LED mostrará la configuración de temperatura existente.

● ATENCIÓN

El panel de control real puede diferir de un modelo a otro.

Instrucciones de funcionamiento

Configuración de engranajes

- Se modificará la configuración de temperatura una vez cada vez que pulse la tecla SET. Posteriormente el frigorífico funcionará bajo el nuevo valor de configuración después de 15 segundos.

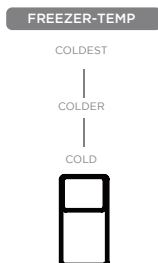
Configuración 1 → Configuración 2 → Configuración 3 → Configuración 4 → Configuración 5 → Configuración 6 → Configuración 1 →

Modo de refrigeración rápida:

- Entrar: Modo de refrigeración rápida con modulación de circulación.
- Funcionamiento: el indicador de enfriamiento rápido se enciende y el frigorífico funciona a 2 °C.
- El modo de enfriamiento rápido se desactiva automáticamente en 24 horas.
- La función de refrigeración rápida puede usarse como la función de super congelación.

Ajuste de dial manual de humedad del aire

- Gire hacia arriba el control deslizante del dial de humedad del aire; la temperatura real dentro de la cámara del congelador caerá; gire hacia abajo el control deslizante del dial de humedad del aire; la temperatura real dentro de la cámara del congelador aumentará.



Código de error

- Las siguientes advertencias que aparecen en la pantalla indican los fallos correspondientes del frigorífico. Aunque el frigorífico puede todavía disponer de la función de refrigeración y congelación con los siguientes fallos, el usuario debe ponerse en contacto con un especialista en mantenimiento para el mantenimiento para asegurar el uso normal del frigorífico.

Código de fallo	Descripción del fallo
El LED 1 y el LED 2 están encendidos	Circuito del sensor de temperatura del frigorífico
El LED 1 y el LED 3 están encendidos	Sensor de descongelación del congelador
El LED 1 y el LED 4 están encendidos	Sensor de temperatura ambiente

ATENCIÓN

Nota: La función de congelación rápida está diseñada para mantener el valor nutricional de los alimentos en el congelador. Puede congelar los alimentos en el menor tiempo posible. Si se congela una gran cantidad de alimentos a la vez, se recomienda que el usuario active la función de congelación rápida e introduzca los alimentos. En ese momento, la velocidad de congelación del compartimento de congelación aumentará, lo que permitirá congelar rápidamente los alimentos, bloquear eficazmente la nutrición de los mismos y facilitar su almacenamiento.

Cámara de refrigeración

- La cámara de refrigeración es apta para el almacenamiento de una gran variedad de frutas, verduras y otros alimentos consumidos a corto plazo, tiempo sugerido de almacenamiento de 3 a 5 días.
- No se deben colocar alimentos cocinados en la cámara del congelador hasta que no estén refrigerados a temperatura ambiente.
- Se recomienda que los alimentos se sellen antes de ponerlos en el congelador.
- Se pueden ajustar las estanterías puede ajustarse arriba o abajo para disponer de una cantidad razonable de espacio de almacenamiento y facilidad de uso.

Cámara de congelación

- La cámara de congelación a baja temperatura puede mantener los alimentos frescos durante mucho tiempo y se usa principalmente para guardar alimentos congelados y hacer hielo.
- La cámara de congelación es apta para guardar carne, pescado, bolas de arroz y otros alimentos que no van a consumirse a corto plazo.
- La carne debe dividirse preferentemente en trozos pequeños para que se congelen rápidamente y sean fáciles de coger. Tenga en cuenta que los alimentos deben consumirse dentro de su fecha de caducidad.

ATENCIÓN

Nota: El almacenamiento de demasiados alimentos durante su funcionamiento tras la conexión inicial a la alimentación puede afectar negativamente al efectos de congelación del frigorífico.

Pedido	TIPO de compartimentos	Temperatura objetivo de almacenamiento [°C]	Alimentos adecuados
1	Frigorífico	+2 - +8	Huevos, alimentos cocinados, alimentos envasados, frutas y verduras, productos lácteos, pasteles, bebidas y otros alimentos no aptos para su congelación.
2	(***)*-Congelador	≤-18	Pescado y marisco (gambas, moluscos), productos de agua dulce y productos cárnicos (recomendado 3 meses; cuanto mayor sea el tiempo de almacenamiento, peor será el sabor y los valores nutricionales), apto para alimentos frescos congelados.
3	***-Congelador	≤-18	Pescado y marisco (gambas, moluscos), productos de agua dulce y productos cárnicos (recomendado 3 meses; cuanto mayor sea el tiempo de almacenamiento, peor será el sabor y los valores nutricionales), apto para alimentos frescos congelados.
4	** -Congelador	≤-12	Pescado y marisco (gambas, moluscos), productos de agua dulce y productos cárnicos (recomendado 3 meses; cuanto mayor sea el tiempo de almacenamiento, peor será el sabor y los valores nutricionales), apto para alimentos frescos congelados.
5	*-Congelador	≤-6	Pescado y marisco (gambas, moluscos), productos de agua dulce y productos cárnicos (recomendado 3 meses; cuanto mayor sea el tiempo de almacenamiento, peor será el sabor y los valores nutricionales), apto para alimentos frescos congelados.
6	0 estrellas	-6 - 0	Cerdo, ternera, pescado y pollo frescos, algunos alimentos procesados empaquetados, etc. (Consumo recomendado el mismo día, preferentemente antes de 3 días.) Alimentos procesados parcialmente envasados (alimentos no congelables).
7	Frío	-2 - +3	Cerdo fresco / congelado, ternera, pollo, productos de pesca frescos, etc. (7 días por debajo de 0°C y por encima de 0°C; se recomienda para su consumo en el mismo día, preferentemente no más de 2 días). Marisco (menos de 0 durante 15 días; no se recomienda guardar por encima de 0°C).
8	Alimentos frescos	0 - +4	Cerdo, ternera, pescado y pollo frescos, alimentos cocinados, etc. (Consumo recomendado el mismo día, preferentemente antes de 3 días.)
9	Vino	+5 - +20	Vino tinto, vino espumoso, etc.

⚠ ATENCIÓN

guarde diferentes alimentos conforme a los compartimentos o la temperatura de almacenamiento objetivo de su compra.

LIMPIEZA Y MANTENIMIENTO

Limpieza general

- El polvo detrás del refrigerador y del suelo debe limpiarse rápidamente para mejorar el efecto de refrigeración y el ahorro energético.
- Compruebe regularmente la cesta de la puerta para asegurarse de que no haya residuos. Limpie la cesta de la puerta con un paño suave humedecido con agua jabonosa o detergente diluido.
- El interior del refrigerador debe limpiarse regularmente para evitar los malos olores.
- Apague la alimentación antes de limpiar el interior, retire todos los alimentos, bebidas, estanterías, cajones, etc.
- Use un paño suave o esponja para limpiar el interior del refrigerador, con dos cucharadas de bicarbonato sódico y un cuarto de agua caliente. Posteriormente aclárelo con agua y séquelo. Tras la limpieza, abra la puerta y déjelo secar de forma natural antes de encender la alimentación.
- Para aquellas áreas que son difíciles de limpiar en el frigorífico (como espacios, esquinas y paredes estrechas), se recomienda limpiarlas regularmente con un paño suave, un cepillo suave, etc. y cuando sea necesario, combinarlo con algunas herramientas auxiliares (como palos delgados) para asegurarse de que no hay acumulación de contaminantes o bacterias en estas áreas.
- No use jabón, detergente, polvo para fregar, limpiadores en spray, etc., ya que estos pueden causar malos olores en el interior del refrigerador o contaminar los alimentos.
- Limpie el botellero, estanterías y cajones con un paño suave humedecido con agua jabonosa o detergente diluido. Séquelo con un paño suave o séquelo de forma natural.
- Limpie la superficie exterior del refrigerador con un paño suave humedecido con agua jabonosa, detergente, etc. y después séquelo.
- No use cepillos duros, estropajos de acero, estropajos de alambre, productos abrasivos (como pasta de dientes) disolventes orgánicos (como acetona, alcohol, aceite de plátano, etc.), agua hirviendo, artículos ácidos o alcalinos que pueden dañar la superficie y el interior del refrigerador. El agua hirviendo y los disolventes orgánicos como el benceno pueden deformar o dañar las piezas de plástico.
- No lo aclare directamente con agua u otros líquidos durante la limpieza para evitar cortocircuitos o que afecte al aislamiento eléctrico tras la inmersión.

ATENCIÓN

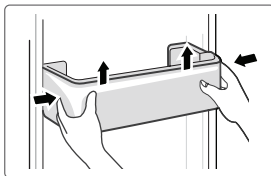
Desenchufe el frigorífico para la descongelación y la limpieza.

Descongelación

- El frigorífico está fabricado de acuerdo al principio de refrigeración del aire y, por tanto, cuenta con una función de descongelación automática. El hielo formado debido al cambio de estación o temperatura asimismo puede retirarse manualmente mediante la desconexión del aparato de la alimentación o limpiándolo con una toalla seca.

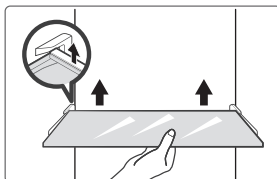
Limpieza de la bandeja de la puerta

- Según la flecha de dirección de la figura que aparece debajo, use ambas manos para apretar la bandeja, empujarla hacia arriba y después puede extraerla.
- Después del lavado, habiendo extraído la bandeja, se puede ajustar su altura de instalación en función de sus necesidades.



Limpieza de la estantería de vidrio

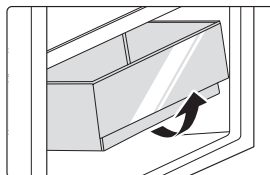
- Como la parte más interna del revestimiento del refrigerador donde entran en contacto las estanterías dispone de un tope, debe elevar las estanterías y después podrá extraerlas.
- Ajuste o limpie las estanterías según sus necesidades.



ES

Limpieza del cajón de las verduras

1. Retire los contenidos del cajón. Sujete el asa del cajón de las verduras y extraígalo completamente hasta que se detenga.
2. Levante hacia arriba el cajón de las verduras y retírelo extrayéndolo.



Sin funcionamiento

Fallo de alimentación:

En caso de un fallo de alimentación, incluso en verano, los alimentos en el interior del aparato pueden mantenerse durante varias horas; durante un fallo de alimentación, se debe reducir las veces que se abre la puerta y no se deben colocar más alimentos frescos en el aparato.

Ausencia de uso prolongada:

El aparato debe desenchufarse y después limpiarse; posteriormente, las puertas se dejan abiertas para evitar los malos olores.

Traslado:

Antes de mover el refrigerador, extraiga todos los objetos al exterior, fije las partes de cristal, el soporte de las verduras, los cajones de la cámara de congelación, etc. con cinta y apriete los pies de equilibrado; cierre las puertas y fijelas con cinta. Durante el traslado, no se debe colocar el aparato al revés u horizontalmente o hacer que vibre; la inclinación durante el movimiento no será superior a 45°.

● ATENCIÓN

EL aparato debe funcionar de forma continua una vez que se enciende. En general, el funcionamiento del aparato no debe interrumpirse; el caso contrario, se puede ver alterada su vida útil

PROBLEMAS Y SOLUCIONES

El usuario puede ocuparse de los siguientes problemas simples. Llame al servicio posventa si no se solucionan los problemas.

Problema	Posible motivo
Fallo en el funcionamiento	• Compruebe si el aparato está conectado a la alimentación I si el enchufe tiene bien los contactos.
	• Compruebe si la tensión es demasiado baja.
	• Compruebe si hay un fallo de corriente o han saltado los circuitos parciales.
Mal olor	• Se deben envolver bien los alimentos que produzcan mal olor.
	• Compruebe si hay alimentos podridos.
	• Limpie el interior del refrigerador.
Funcionamiento durante mucho tiempo del compresor	• Es normal el funcionamiento prolongado del refrigerador en verano cuando la temperatura ambiente es.
	• No se recomienda tener muchos alimentos en el aparato al mismo tiempo.
	• Se deben enfriar los alimentos antes de empezar a ponerlos en el aparato.
La luz no se enciende.	• Las puertas se abren con demasiada frecuencia.
	• Compruebe si el refrigerador está conectado a la alimentación y si la luz que se debe iluminar presenta daños.
	• Recorra a un técnico calificado para cambiar la lámpara.
La puerta no se puede cerrar debidamente	• La puerta está atascada por los envases de alimentos.
	• El frigorífico está inclinado.
Ruidos altos	• Compruebe si el suelo está nivelado y si el refrigerador está colocado de forma estable.
	• Compruebe si los accesorios están colocados en las ubicaciones adecuadas

Problema	Posible motivo
El sello de la puerta no está estanco	<ul style="list-style-type: none"> • Retire materiales extraños del sello de la puerta • Caliente el sello de la puerta y después refrigérelo para restaurarlo (o sóplelo con un secador eléctrico o use una toalla caliente para calentarlo)
La bandeja de agua se desborda.	<ul style="list-style-type: none"> • Hay demasiados alimentos en la cámara o los alimentos almacenados contienen demasiada agua, lo que provoca una grave descongelación • Las puertas no están cerradas debidamente lo que provocar hielo debido a la entrada de aire y al aumento de agua debido a la descongelación
Carcasa caliente	<ul style="list-style-type: none"> • Disipación del calor del condensador integrado mediante la carcasa, que es normal cuando la carcasa se calienta debido a una temperatura ambiente elevada, o el almacenamiento de demasiado alimentos o si se cierra del compresor y proporciona una buena ventilación para facilitar la disipación del calor
Condensación de la superficie	<ul style="list-style-type: none"> • La condensación de la superficie exterior y los sellos de la puerta del refrigerador es normal cuando la humedad ambiente es demasiado alta. Simplemente limpie la condensación con una toallita limpia.
Ruido anormal	<ul style="list-style-type: none"> • Pitido: El compresor puede producir pitidos durante el funcionamiento y los pitidos son altos en especial durante el inicio y la parada. Esto es normal. • Crujido: El refrigerante que fluye por el interior del aparato puede producir crujidos, lo que es normal.

APÉNDICE

Especial para el nuevo estándar europeo

Las piezas pedidas que se incluyen en la siguiente tabla se pueden adquirir en la red de proveedores de servicios.

Pieza pedida	Proporcionada por	Tiempo mínimo hasta el suministro
Termostatos	Personal profesional de mantenimiento	Al menos 7 años después de que se haya lanzado al mercado el último modelo
Sensor de temperatura	Personal profesional de mantenimiento	Al menos 7 años después de que se haya lanzado al mercado el último modelo
Placa de circuito impreso	Personal profesional de mantenimiento	Al menos 7 años después de que se haya lanzado al mercado el último modelo
Fuente de luz	Personal profesional de mantenimiento	Al menos 7 años después de que se haya lanzado al mercado el último modelo
Pomo de la puerta	Reparadores profesionales y usuarios finales	Al menos 7 años después de que se haya lanzado al mercado el último modelo
Bisagras de las puertas	Reparadores profesionales y usuarios finales	Al menos 7 años después de que se haya lanzado al mercado el último modelo
Bandejas	Reparadores profesionales y usuarios finales	Al menos 7 años después de que se haya lanzado al mercado el último modelo
Cestas	Reparadores profesionales y usuarios finales	Al menos 7 años después de que se haya lanzado al mercado el último modelo
Juntas de puertas	Reparadores profesionales y usuarios finales	Al menos 10 años después de que se haya lanzado al mercado el último modelo

Estimado cliente

1. Si desea devolver o sustituir el producto, póngase en contacto con el establecimiento donde lo compró.
(Recuerde traer la factura de compra)
2. Si el producto se avería y necesita reparación, póngase en contacto con el proveedor de servicios pos-venta.

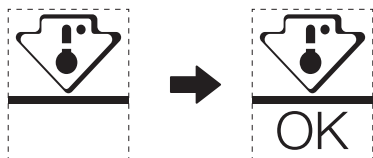
ATENCIÓN

La información sobre el modelo incluida en la base de datos de productos, así como el identificador del modelo, se pueden obtener por un enlace al que se accede escaneando un código QR, de haberlo, en la etiqueta de eficiencia energética del producto. Para obtener más información sobre la eficiencia energética del aparato, visite la página web <https://ec.europa.eu> y búsquelo usando el nombre del modelo. El nombre del modelo puede encontrarse en la etiqueta identificativa del aparato.

Zona más fría del frigorífico

OPCIONAL: Indicador OK de temperatura

- El indicador OK de temperatura puede usarse para determinar temperaturas inferiores a +4°C. Gradualmente, reduzca la temperatura si el signo no «OK».



- Para garantizar la temperatura de esta zona, no cambie el estante de posición. En frigoríficos de aire forzado, (equipados con un ventilador o modelos No Frost), el símbolo de la zona más fría no se representa porque la temperatura en el interior es homogénea.

Configuración del indicador de temperatura

- Para facilitar la correcta configuración del frigorífico, este está equipado con un indicador de temperatura que controlará la temperatura media en la zona más fría.
- ADVERTENCIA: este indicador tiene como finalidad funcionar solo con su frigorífico; no lo use en ningún otro frigorífico (de hecho, la zona más fría no es la misma) o para cualquier otro uso.

Comprobación de la temperatura en la zona más fría

- Con el indicador de temperatura, puede comprobar regularmente que la temperatura de la zona más fría es correcta. De hecho, la temperatura interna del frigorífico depende de varios factores como la temperatura ambiente de la sala, la cantidad de alimentos guardados y la frecuencia de la apertura de la puerta. Tenga en cuenta estos factores cuando configure el aparato.
- Cuando el indicador muestra «OK», el termostato está bien ajustado y la temperatura interna es correcta.
- Si el indicador de temperatura aparece BLANCO, la temperatura es demasiado alta; en este caso, suba la configuración del control de temperatura del frigorífico y espere 12 horas antes de llevar a cabo una nueva inspección visual del indicador. Cuando se introduce comida fresca o se deja la puerta abierta, es posible que el indicador de temperatura aparezca BLANCO al poco tiempo.

DOCUMENTOS Y CERTIFICACIONES

Declaración de conformidad

Por la presente, confirmamos que los nombres de modelos de clientes siguientes y los nombres del modelos de Midea se corresponden entre sí respectivamente.

Marca	Modelo Midea	Modelo de marketing	Modelo de fábrica
Midea	HD-403RWENJ	MDRB424FGE01I	CE-BCD310WE-JT
Midea	HD-403RWENJ	MDRB424FGE02I	CE-BCD310WE-JT

ES

Nombre del fabricante: Guangzhou Midea Hualing Refrigerator Co., Ltd.
Dirección del fabricante: N.º 5 Xinguangsi Road, Qianfeng Zhujiang, Distrito de Nansha, Ciudad de Guangzhou, Provincia de Guangdong, R. P. China

Nosotros, Guangzhou Midea Hualing Refrigerator Co., Ltd., por la presente declaramos que los productos mencionados anteriormente cumplen con los estándares y normativas vigentes actualmente y citadas con anterioridad.

NOTA DE AGRADECIMENTO

Muito obrigado por escolher Midea! Antes de utilizar o seu novo produto Midea, leia este manual atentamente para garantir que sabe utilizar as funcionalidades e funções disponibilizadas pelo seu novo aparelho em segurança.

CONTEÚDO

NOTA DE AGRADECIMENTO	01
ESPECIFICAÇÕES	02
APRESENTAÇÃO DO PRODUTO	03
INSTALAÇÃO DO PRODUTO	04
INSTRUÇÕES DE OPERAÇÃO	11
LIMPEZA E MANUTENÇÃO	15
RESOLUÇÃO DE PROBLEMAS	17
APÊNDICE	19
DOC E CERTIFICAÇÕES	21

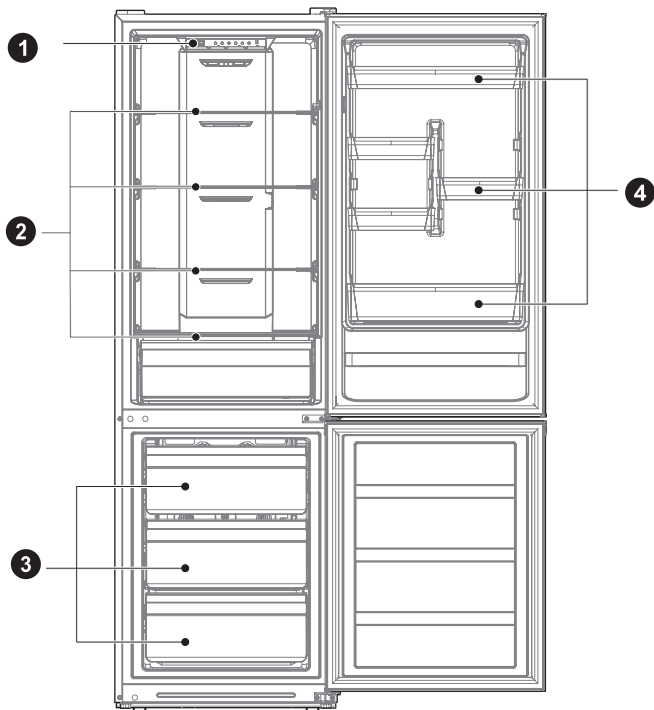
ESPECIFICAÇÕES

Modelo do produto	MDRB424FGE01 MDRB424FGE02
Volume do compartimento de armazenamento de alimentos frescos	224 L
Volume do armazenamento de alimentos congelados	86 L
Tipo de Descongelação	Descongelação automática
Tempo de Aumento de Temperatura	8h
Capacidade de Congelação	3,9 kg/24h
Tensão Nominal	220-240 V-
Corrente Nominal	0,8 A
Dimensão Total (A × L × P)	1880x595x630 mm

PT

APRESENTAÇÃO DO PRODUTO

Nome dos componentes



1 Gaveta

2 Prateleira

3 Gaveta

4 Bandeja da porta

● ATENÇÃO

A imagem acima é apenas para referência. A configuração real dependerá do produto físico ou da declaração do distribuidor.

PT

INSTALAÇÃO DO PRODUTO

Instruções de instalação

Para aparelhos de refrigeração com classe climática

- Dependendo da classe climática, este aparelho frigorífico destina-se a ser utilizado nos intervalos de temperatura ambiente, tal como especificado na tabela seguinte.
- A classe climática pode ser encontrada na placa de classificação. O produto pode não funcionar corretamente a temperaturas fora do intervalo especificado.
- Pode encontrar a classe climática na etiqueta do produto.

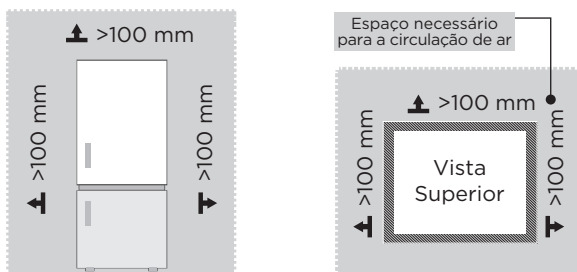
Intervalo efetivo de temperaturas

- O produto é concebido para funcionar normalmente no intervalo de temperaturas especificado pela sua classificação de classe.

Classe	Símbolo	Limite de temperatura ambiente °C	
		IEC 62552 (ISO 15502)	ISO 8561
Temperatura alargada	SN	+10 a +32	+10 a +32
Temperado	N	+16 a +32	+16 a +32
Subtropical	ST	+16 a +38	+18 a +38
Tropical	T	+16 a +43	+18 a +43

Dimensões e espaços

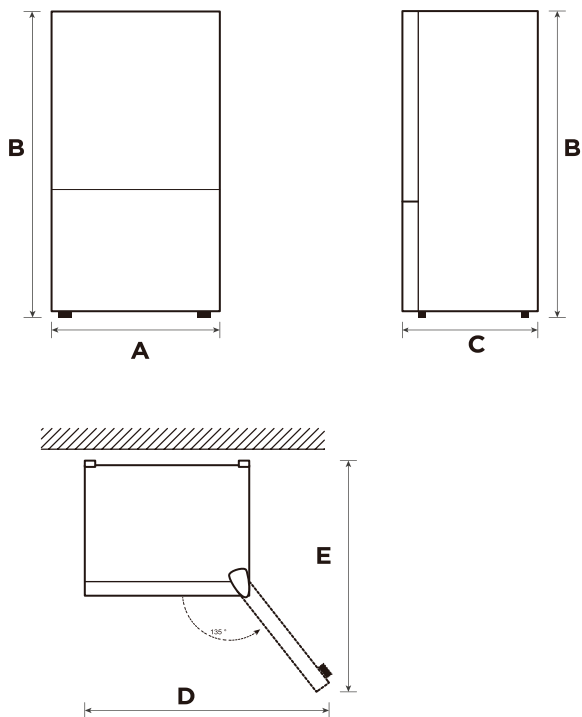
- Uma distância demasiado pequena de itens adjacentes pode resultar na degradação da capacidade de congelação e no aumento dos custos de eletricidade. Permita mais de 100 mm de espaço livre de cada parede adjacente ao instalar o aparelho.



⚠ ATENÇÃO

A imagem acima é apenas para referência. A configuração real dependerá do produto físico ou da declaração do distribuidor.

Diagrama do espaço necessário (com a porta aberta e com a porta fechada)



PT

Largura	Altura total	Profundidade	Largura com portas abertas 135°	Profundidade com portas abertas 135°
A	B	C	D	E
595	1880	630	988	1074

Observação: Todas as dimensões encontram-se em mm

Alteração do lado da porta (esquerdo/direito) (Opcional)

Com base no local onde planeia utilizar o seu frigorífico, poderá achar mais conveniente inverter a posição da porta.

CUIDADO

CUIDADO: Para evitar ferir-se ou danos materiais, recomendamos que alguém o ajude durante o processo de inversão de portas.

Preparar para inverter a posição da porta

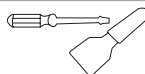
Vai precisar de: Uma chave de parafusos padrão, uma chave de parafusos Phillips, e a chave Allen incluída.

- Certifique-se de que o seu frigorífico está desligado da tomada e vazio.
- Tenha alguém disponível para o ajudar no processo.
- Guarde todas as peças que remover para as reutilizar mais tarde.

Ferramentas necessárias para a inversão da porta:



Chave de fendas de estrela



Espátula Chave de fendas de lâmina fina



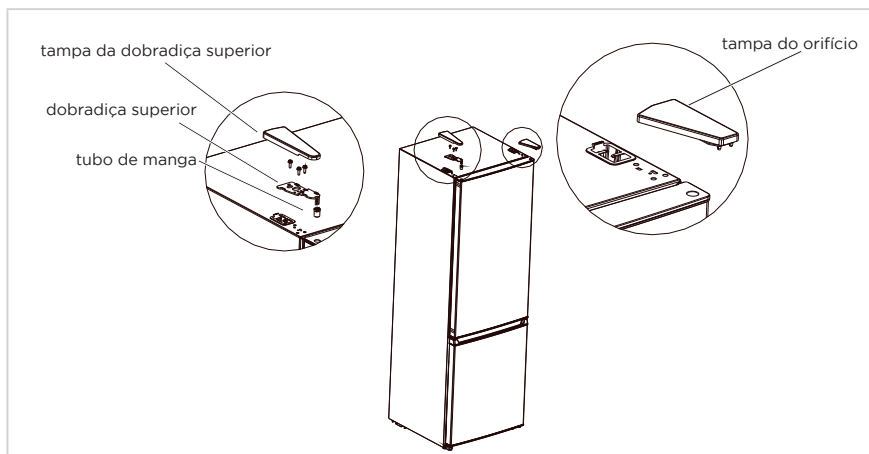
Chave de catraca de 5/16"



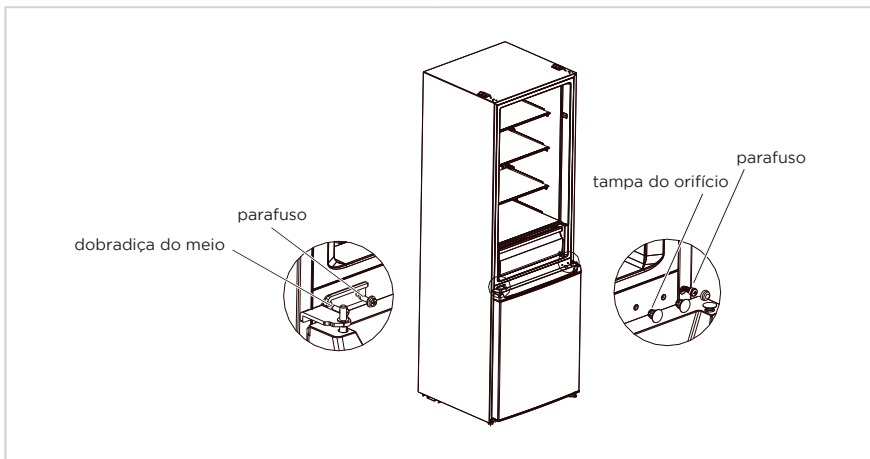
Fita adesiva

Passo

1. Desligar o frigorífico e remover todos os objetos dos tabuleiros das portas.
2. Desmontar a tampa superior da dobradiça, desligar os fios de sinal, a dobradiça superior e a tampa do orifício do outro lado, retirar a porta de refrigeração.

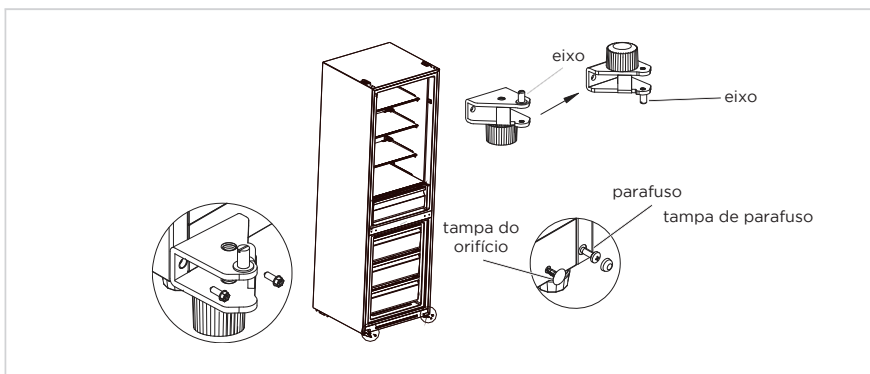


3. Desmontar a dobradiça central, os parafusos, as tampas dos orifícios dos parafusos e retirar a porta do congelador.

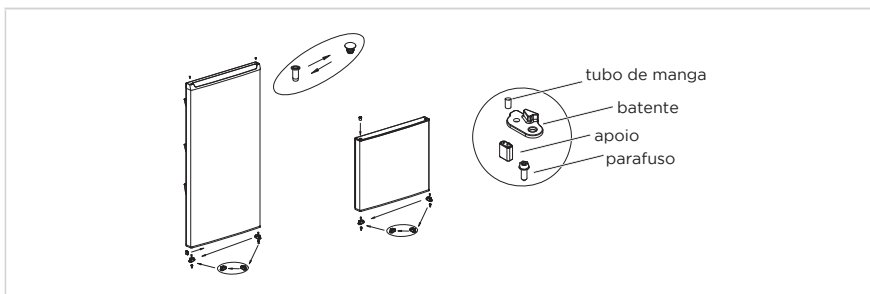


PT

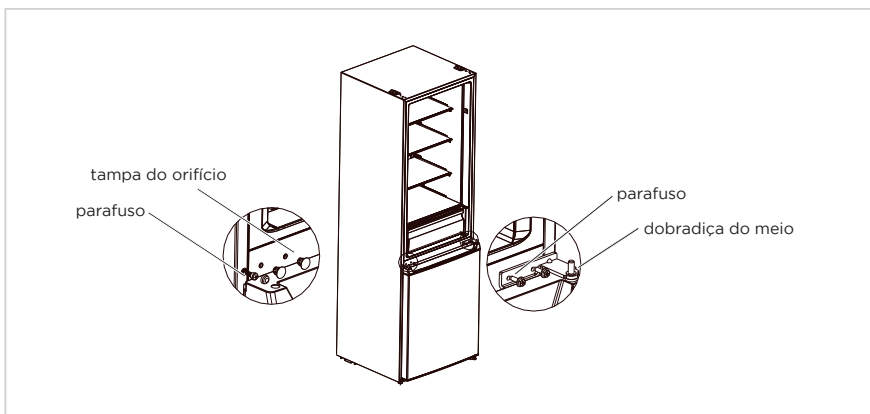
4. Desmontar a dobradiça inferior, as tampas dos orifícios e os parafusos, instalar o eixo da dobradiça inferior e ajustar o pé do outro lado da dobradiça inferior, depois instalar a dobradiça do outro lado.



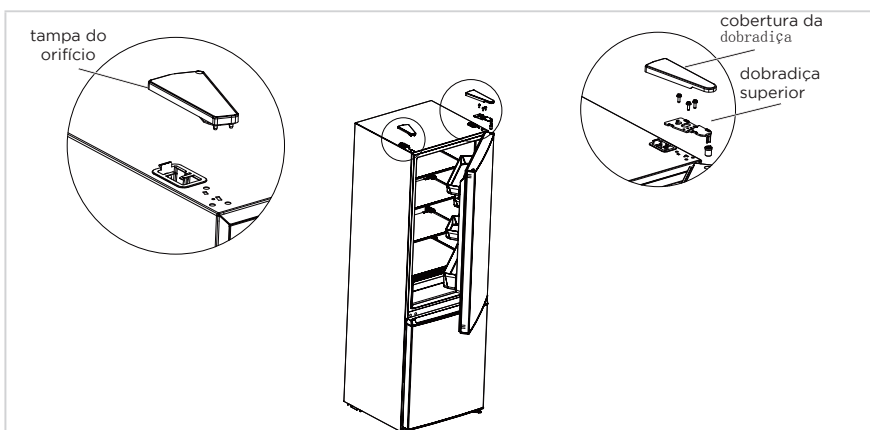
5. Desmontar o parafuso, o tubo da manga e o batente da porta do frigorífico e da porta do congelador, sendo o suporte na tampa inferior da porta do frigorífico também removido. Em seguida, deve instalá-los no outro lado das portas por ordem. (Retire o batente inferior da embalagem de acessórios)
6. Trocar a posição do tubo da manga e da tampa do orifício na tampa superior da porta frigorífica, e instalar a manga superior da dobradiça na porta do congelador para o orifício do outro lado da manga do eixo.



7. Colocar a porta do congelador na dobradiça inferior, instalar a dobradiça do meio, os parafusos e as tampas dos orifícios dos parafusos.



8. Colocar a porta frigorífica na dobradiça central, instalar a dobradiça superior, a tampa da dobradiça e a tampa do orifício.



● ATENÇÃO

A imagem acima é apenas para referência. A configuração real dependerá do produto físico ou da declaração do distribuidor.

Posicionamento

- Antes da utilização, remova todos os materiais de embalagem, incluindo as almofadas do fundo, as espumas e as fitas no interior do frigorífico; rasgue a película de proteção das portas e do corpo do frigorífico.
- Manter o aparelho afastado do calor e da luz solar direta. Não colocar o congelador em locais húmidos ou com água para evitar o enferrujamento ou a redução do efeito de isolamento.
- Não pulverize nem molhe o frigorífico, não coloque o frigorífico em locais húmidos, onde possa ser salpicado com água, de modo a não afetar as propriedades do isolamento elétrico do frigorífico.
- O frigorífico deve ser colocado num local interior bem ventilado, o piso deve ser plano e resistente (rode a roda para a esquerda ou para a direita para nivelar, se instável).



Pés de nivelamento

Para evitar vibração, a unidade deve estar nivelada.

Se necessário, ajuste os parafusos de nivelamento para compensar o chão desnivelado.

A frente deve estar ligeiramente mais alta que a traseira para ajudar no fechamento da porta.

Os parafusos de nivelamento podem ser facilmente rodados, inclinando ligeiramente o armário.

Rode os parafusos de nivelamento no sentido contrário ao dos ponteiros do relógio  para elevar a unidade e no sentido dos ponteiros do relógio  para os baixar.

Mover o aparelho

1. Retire todos os alimentos do interior do aparelho.
2. Puxe a ficha de alimentação, introduza-a e fixe-a no gancho da ficha de alimentação na parte de trás ou em cima do aparelho.
3. Cole as peças, tais como prateleiras e o puxador da porta, com fita adesiva para evitar que caiam enquanto se desloca o aparelho.
4. Desloque o aparelho com mais de duas pessoas com cuidado. Ao transportar o aparelho numa longa distância, mantenha o aparelho na vertical.
5. Após a instalação do aparelho, ligue a ficha de alimentação a uma tomada para ligar o aparelho.

ATENÇÃO

Precauções antes da operação:

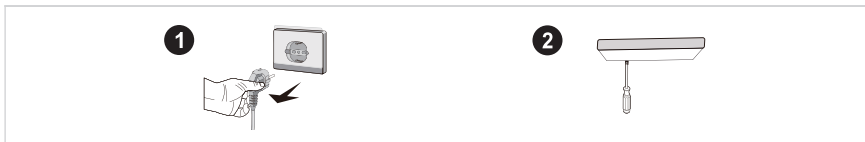
Antes de fazer alterações, o frigorífico deve ser desligado da corrente. devem ser tomadas precauções para evitar qualquer ferimento pessoal.

Substituir a luz

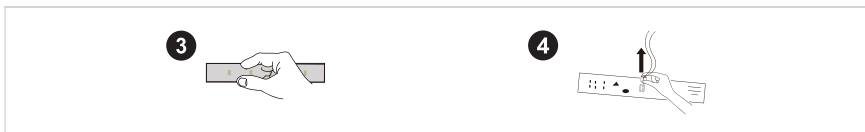
- Qualquer substituição ou manutenção das lâmpadas LED destina-se a ser feita pelo fabricante, o respetivo agente de serviço ou pessoa qualificada similar. Este produto contém uma fonte de luz de classe de eficiência energética <F>.

Passo

1. Retire a ficha antes de remover.
2. Remova a cobertura com uma chave de fendas.



3. Retire o painel da lâmpada.
4. Retire o terminal de ligação.



PT

Ligar o aparelho

Antes do arranque inicial, manter o frigorífico imóvel durante meia hora antes de o ligar à fonte de alimentação.

● ATENÇÃO

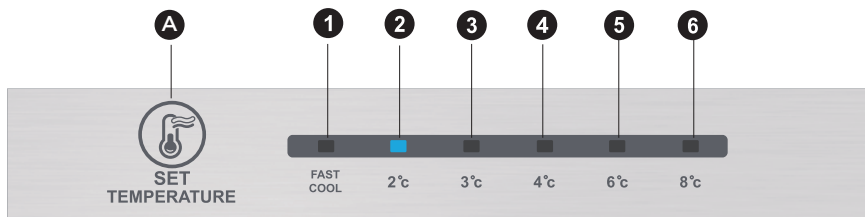
Antes de colocar alimentos frescos ou congelados, o frigorífico deve funcionar vazio durante 2-3 horas, ou mais de 4 horas no verão, quando a temperatura ambiente é mais alta.

Sugestões para economia de energia

- O aparelho deve ser colocado na área mais fresca da divisão, longe de aparelhos que produzam calor, de condutas de aquecimento e da luz solar direta.
- Deixar os alimentos quentes arrefecerem à temperatura ambiente antes de os colocar no aparelho. Sobrecarregar o aparelho força o compressor a trabalhar durante mais tempo. Os alimentos que congelam muito lentamente podem perder qualidade ou estragar-se.
- Assegurar que embrulha devidamente os alimentos e que seca os recipientes antes de os colocar no aparelho. Isto reduz a acumulação de gelo no interior do aparelho.
- O recipiente de armazenamento não deve ser forrado com folha de alumínio, papel de cera ou papel de cozinha. Os revestimentos interferem com a circulação do ar, tornando o aparelho menos eficiente.
- Organizar e rotular os alimentos para reduzir as aberturas da porta e as procuras prolongadas. Retirar o maior número de artigos de uma só vez e fechar a porta o mais rápido possível.

INSTRUÇÕES DE FUNCIONAMENTO

Painel de controlo



● ATENÇÃO

A imagem acima é apenas para referência. A configuração real dependerá do produto físico ou da declaração do distribuidor.

PT

Principal

A	Botão alarme/desligar/ligar
---	-----------------------------

Visor

1	definição de temperatura 1
2	definição de temperatura 2
3	definição de temperatura 3
4	definição de temperatura 4
5	definição de temperatura 5
6	definição de temperatura 6

Visor

Quando ligar o frigorífico, o visor (incluindo a luz principal) brilhará fixamente, durante 3 s e, em seguida, o frigorífico funciona de acordo com a definição de temperatura 3.

Indicação de funcionamento normal

Na ocorrência de alguma falha, a luz LED correspondente apresenta uma indicação combinada do código de falha (no visor de reciclagem);

Se não houver falha, a luz LED mostrará a definição de temperatura existente.

● ATENÇÃO

O painel de controlo real pode diferir de modelo para modelo.

Instruções de funcionamento

Definição do nível

- A definição da temperatura será alterada uma vez, sempre que se premir a tecla SET. Em seguida, o frigorífico funcionará sob o novo valor de definição após 15 s.

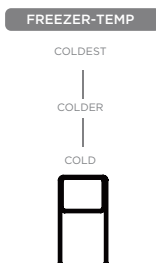
Definição 1 → Definição 2 → Definição 3 → Definição 4 → Definição 5 → Definição 6 → Definição 1 →

Modo de refrigeração rápida:

- Introduzir: Modo de modulação circulatória de refrigeração rápida.
- Operar: O indicador de arrefecimento rápido acende, e o frigorífico funciona a 2°C.
- O modo de arrefecimento rápido é desativado automaticamente durante 24H.
- A função de refrigeração rápida pode ser usada como função de super congelamento.

Ajuste do botão de amortecimento manual do ar

- Rodar o regulador de humidade do ar para cima, faz com que a temperatura efetiva dentro do congelador baixe, rodar o regulador de humidade do ar para baixo, faz com que a temperatura efetiva dentro do congelador aumente.



Código de erro

- Os seguintes avisos que aparecem no visor indicam avarias correspondentes do frigorífico. Embora o frigorífico ainda possa ter funções de refrigeração e congelação com as seguintes falhas, o utilizador deve contactar um técnico especialista em manutenção, de modo a assegurar a utilização normal do frigorífico.

Código da Anomalia	Descrição da Anomalia
O LED 1 e LED 2 acesos	Circuito do sensor de temperatura do frigorífico
O LED 1 e LED 3 acesos	Sensor de descongelamento do congelador
O LED 1 e LED 4 acesos	Sensor de temperatura ambiente

● ATENÇÃO

Nota: A função de congelação rápida foi concebida para manter o valor nutricional dos alimentos no congelador. Pode congelar os alimentos no mais curto espaço de tempo. Se uma grande quantidade de alimentos for congelada de uma vez, é recomendado que o utilizador ligue a função de congelação rápida e coloque os alimentos. Neste momento, a velocidade de congelação do compartimento de congelação é aumentada, o que pode congelar rapidamente os alimentos, bloquear eficazmente a nutrição dos alimentos e facilitar o seu armazenamento.

Câmara frigorífica

- A câmara frigorífica é adequada para o armazenamento de uma variedade de frutas, legumes, bebidas e outros alimentos consumidos a curto prazo, tempo de armazenamento sugerido de 3 dias a 5 dias.
- Os alimentos cozinhados não devem ser colocados na câmara de refrigeração até estarem à temperatura ambiente.
- É recomendado selar os alimentos antes de colocá-los no frigorífico.
- As prateleiras de vidro podem ser ajustadas para cima ou para baixo para ter uma quantidade razoável de espaço de armazenamento e facilitar a utilização.

Câmara de congelação

- A baixa temperatura da câmara de congelamento pode manter os alimentos frescos por mais tempo e é utilizada principalmente para armazenar alimentos congelados e fazer gelo.
- A câmara de congelamento é adequada para o armazenamento de carne, peixe, bolas de arroz e outros alimentos que não serão consumidos a curto prazo.
- Os pedaços de carne devem ser divididos, preferencialmente, em pequenos pedaços para congelação rápida e acesso fácil. Ter em atenção que os alimentos devem ser consumidos dentro da validade.

ATENÇÃO

Nota: O armazenamento de muitos alimentos durante o funcionamento após a ligação inicial à corrente pode afetar adversamente o efeito de congelação do frigorífico.

Ordem	TIPO dos compartimentos	Temperatura de armazenamento [°C]	Alimentos apropriados
1	Frigorífico	+2 - +8	Ovos, alimentos cozinhados, alimentos embalados, fruta, vegetais, laticínios, bolos, bebidas e outros alimentos não devem ser congelados.
2	(***)*-Congelador	≤-18	Produtos do mar (peixe, camarão, marisco), produtos aquáticos de água doce e produtos de carne (recomendados para 3 meses, quanto maior o tempo de armazenamento, pior o sabor e a nutrição), adequado para alimentos frescos congelados.
3	***-Congelador	≤-18	Produtos do mar (peixe, camarão, marisco), produtos aquáticos de água doce e produtos de carne (recomendados para 3 meses, quanto maior o tempo de armazenamento, pior o sabor e a nutrição), adequado para alimentos frescos congelados.
4	***-Congelador	≤-12	Produtos do mar (peixe, camarão, marisco), produtos aquáticos de água doce e produtos de carne (recomendados para 3 meses, quanto maior o tempo de armazenamento, pior o sabor e a nutrição), adequado para alimentos frescos congelados.
5	*-Congelador	≤-6	Produtos do mar (peixe, camarão, marisco), produtos aquáticos de água doce e produtos de carne (recomendados para 3 meses, quanto maior o tempo de armazenamento, pior o sabor e a nutrição), adequado para alimentos frescos congelados.
6	0 estrelas	-6 - 0	Carne fresca de porco, vaca, peixe, frango, alguns alimentos processados embalados, etc. (recomenda-se comer no mesmo dia, de preferência não mais do que 3 dias). Alimentos processados parcialmente embalados (alimentos que não podem ser congelados).
7	Refrigeração	-2 - +3	Carne de porco, vaca, galinha, peixe de água doce congelados/frescos, etc. (7 dias abaixo de 0 °C e acima de 0 °C recomendados para consumo no mesmo dia ou dentro de não mais de 2 dias). Peixe e marisco (abaixo de 0 °C durante 15 dias, não recomendado a armazenamento acima de 0 °C)
8	Alimentos frescos	0 - +4	Carne fresca de porco, vaca, peixe, frango, alimentos cozinhados, etc. (recomenda-se comer no mesmo dia, de preferência não mais do que 3 dias)
9	Vinho	+5 - +20	Vinho tinto, vinho branco, vinho espumante, etc.

ATENÇÃO

guarde os diferentes alimentos de acordo com os compartimentos ou temperatura de armazenamento dos produtos adquiridos.

LIMPEZA E MANUTENÇÃO

Limpeza geral

- O pó e poeira atrás do frigorífico e no chão devem ser limpos para melhorar o efeito de arrefecimento e poupar energia.
- Verificar o vedante da porta regularmente para se certificar que não tem detritos. Limpe o vedante da porta com um pano humedecido com água com sabão ou detergente diluído.
- O interior do frigorífico deve ser limpo regularmente para evitar odores.
- Desligue da corrente antes de limpar o interior, retirar todos os alimentos, bebidas, prateleiras, gavetas, etc.
- Utilize um pano macio ou uma esponja para limpar o interior do frigorífico, com duas colheres de sopa de bicarbonato de soda num litro de água morna. Em seguida, enxaguar com a água e limpar. Depois de limpar, abra a porta e deixe secar naturalmente antes de ligar a alimentação.
- Para as áreas difíceis de limpar no frigorífico (tais como espaços ou cantos estreitos), é recomendado esfregá-las regularmente com um pano macio, uma escova macia, etc. e, quando necessário, combinar com ferramentas auxiliares (como palitos finos) para garantir que não há acumulação de contaminantes ou bactérias nestas áreas.
- Não utilize sabão, detergente, pó para esfregar, detergente em spray, etc., pois estes podem causar odores no interior do frigorífico ou a contaminação de alimentos.
- Limpe o suporte de garrafas, as prateleiras e as gavetas com um pano humedecido com água com sabão ou detergente diluído. Secar com um pano macio ou deixar secar naturalmente.
- Limpe a superfície exterior do frigorífico com um pano humedecido com água com sabão, detergente, etc. e, em seguida, seque.
- Não utilize escovas duras, palha de aço, escovas de arame, produtos abrasivos (tais como pasta de dentes), solventes orgânicos (tais como álcool, acetona, óleo de banana, etc.), água a ferver ou produtos ácidos ou alcalinos, que possam danificar a superfície e o interior do frigorífico. Água a ferver e solventes orgânicos, como benzeno, podem deformar ou danificar as peças plásticas.
- Não passar diretamente por água ou outros líquidos durante a limpeza para evitar curto-circuitos ou afetar o isolamento elétrico depois da imersão.

ATENÇÃO

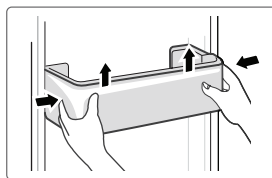
Desligue o frigorífico da tomada para o descongelar e limpar.

Descongelar

- O frigorífico é feito com base no princípio de arrefecimento por ar e, portanto, tem a função de descongelação automática. O gelo formado devido a mudança de estação ou temperatura também pode ser removido manualmente, desligando o aparelho da corrente ou esfregando com uma toalha seca.

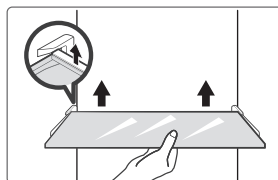
Limpar o tabuleiro da porta

- De acordo com a seta de direção na figura abaixo, usar as duas mãos para apertar o tabuleiro e empurrá-lo para cima para a retirar.
- Após a lavagem do tabuleiro que foi retirado pode ajustar a respetiva altura de instalação de acordo com a sua exigência.



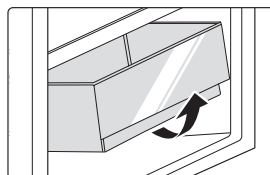
Limpar a prateleiras em vidro

- Como a parte mais interna do forro do frigorífico, onde entra em contacto com as prateleiras, tem um batente, deve levantar as prateleiras para as poder retirar.
- Ajustar ou limpar as prateleiras de acordo com a sua exigência.



Limpar a gaveta dos frescos

1. Remova o conteúdo da gaveta. Segurar a pega da gaveta dos frescos e puxá-la completamente para fora até parar.
2. Levantar a gaveta dos frescos e retirá-la puxando-a para fora.



Fora de serviço

Falha de energia:

Em caso de falha de energia, mesmo no verão, os alimentos dentro do aparelho podem ser mantidos por várias horas; durante uma falha de energia, o número de vezes que a porta é aberta deve ser reduzido e não devem ser postos mais alimentos frescos no aparelho.

Não utilização prolongada:

O aparelho deve ser desligado da tomada e depois limpo; em seguida, as portas são deixadas abertas para evitar odores.

Mover:

Antes de o frigorífico ser movido, retire todos os artigos no interior, fixe as divisórias de vidro, o suporte de legumes, as gavetas da câmara de congelamento, etc. com fita adesiva, aperte os pés de nivelamento, feche as portas e fixe-as com fita adesiva. Ao mover, o aparelho não deve ser virado ao contrário, deitado horizontalmente ou sofrer vibrações; a inclinação durante o deslocamento não deve ser superior a 45°.

● ATENÇÃO

O aparelho deve funcionar ininterruptamente uma vez iniciado. Regra geral, a operação do aparelho não deve ser interrompida, caso contrário, a sua vida útil pode ser prejudicada.

RESOLUÇÃO DE PROBLEMAS

Podem ser solucionados pelo utilizador os seguintes problemas simples. Por favor, contacte o departamento de serviço pós-venda se os problemas não forem resolvidos.

Problema	Motivo possível
Falha de funcionamento	• Verifique se o aparelho está ligado à corrente ou se a ficha está bem ligada
	• Verifique se a tensão é demasiado baixa
	• Verifique se há uma falha de energia ou se alguns circuitos dispararam
Odores	• Os alimentos com odor devem ser bem embrulhados
	• Verifique se há comida estragada
	• Limpe o interior do frigorífico
Funcionamento prolongado do compressor	• O funcionamento prolongado do compressor é normal no verão quando a temperatura ambiente é alta
	• Não é aconselhável colocar muitos alimentos no aparelho ao mesmo tempo
	• Os alimentos devem arrefecer antes de serem colocados no aparelho
	• As portas são abertas com demasiada frequência
A luz não acende	• Verifique se o frigorífico está ligado à rede elétrica e se a luz de iluminação está danificada
	• A lâmpada deve ser substituída por um especialista
A porta não fecha bem	• A porta está presa por embalagens de alimentos.
	• O frigorífico está inclinado.
Ruídos altos	• Verifique se o piso está nivelado e se o frigorífico está colocado de forma estável
	• Verifique se os acessórios estão colocados nos locais apropriados

Problema	Motivo possível
A junta de vedação da porta não está a vedar	<ul style="list-style-type: none"> • Remova matérias estranhas do vedante da porta • Aqueça a vedação da porta e depois arrefeça-a para restauração (utilize um secador elétrico ou utilize uma toalha quente para aquecimento)
O depósito de água transborda	<ul style="list-style-type: none"> • Há demasiados alimentos na câmara ou os alimentos armazenados contêm muita água, resultando numa descongelação profusa • As portas não estão bem fechadas, resultando em gelo, devido à entrada de ar e ao aumento de água derivado da descongelação
Caixa do aparelho	<ul style="list-style-type: none"> • A dissipação de calor do condensador incorporado através da caixa, que é normal quando a caixa se torna quente devido à alta temperatura ambiente, ao armazenamento de demasiados alimentos ou ao encerramento do compressor, proporcionam uma ventilação adequada para facilitar a dissipação de calor
Condensação na superfície	<ul style="list-style-type: none"> • A condensação na superfície exterior e nos vedantes das portas do frigorífico é normal quando a humidade ambiente é demasiado elevada. Simplesmente limpe a condensação com uma toalha limpa.
Ruído anormal	<ul style="list-style-type: none"> • Zumbido: O compressor pode produzir ruídos durante o funcionamento e os ruídos são altos, principalmente no arranque ou paragem. Isto é normal. • Crepitação: O refrigerante a circular dentro do aparelho pode crepitar, o que é normal.

PT

APÊNDICE

Especial para a nova norma europeia

As peças encomendadas na tabela seguinte podem ser adquiridas no canal do fornecedor de serviços

Peça encomendada	Fornecida por	Tempo mínimo necessário para o fornecimento
Termóstatos	Pessoal de manutenção profissional	Pelo menos 7 anos após o último modelo ser lançado no mercado
Sensor de temperatura	Pessoal de manutenção profissional	Pelo menos 7 anos após o último modelo ser lançado no mercado
Placa de circuito impresso	Pessoal de manutenção profissional	Pelo menos 7 anos após o último modelo ser lançado no mercado
Fonte de luz	Pessoal de manutenção profissional	Pelo menos 7 anos após o último modelo ser lançado no mercado
Pega da porta	Reparadores profissionais e utilizadores finais	Pelo menos 7 anos após o último modelo ser lançado no mercado
Dobradiças da porta	Reparadores profissionais e utilizadores finais	Pelo menos 7 anos após o último modelo ser lançado no mercado
Tabuleiros	Reparadores profissionais e utilizadores finais	Pelo menos 7 anos após o último modelo ser lançado no mercado
Cestos	Reparadores profissionais e utilizadores finais	Pelo menos 7 anos após o último modelo ser lançado no mercado
Juntas da porta	Reparadores profissionais e utilizadores finais	Pelo menos 10 anos após o último modelo ser lançado no mercado

PT

Caro(a) cliente

1. Se pretender devolver ou substituir o produto, deve contactar o estabelecimento comercial onde o mesmo foi comprado.

(Lembre-se de trazer a fatura de compra)

2. Se o seu produto não avariar e necessitar de reparação, deve contactar o prestador de serviço pós-venda.

● ATENÇÃO

As informações do modelo na base de dados do produto, bem como o identificador do modelo, podem ser obtidos através de uma ligação digitalizada através de um código QR, se existir, no rótulo de eficiência energética do produto.

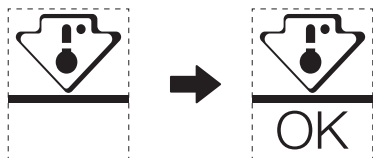
Para mais informações sobre a eficiência energética do aparelho, visite <https://ec.europa.eu> e pesquise usando o nome do modelo.

O nome do modelo pode ser encontrado na etiqueta de classificação do aparelho.

Zona mais fria do frigorífico

OPCIONAL: Indicador de temperatura OK

- O indicador de temperatura OK pode ser utilizado para determinar temperaturas inferiores a +4°C. Reduza gradualmente a temperatura se o sinal não indicar "OK".



- Para garantir a temperatura nesta área, não altere o posicionamento da prateleira. Frigoríficos de ar forçado (equipados com um ventilador ou modelos No Frost), o símbolo da zona mais fria não é representado porque a temperatura no interior é homogénea.

Definição do indicador de temperatura

- Para ajudar a configurar corretamente o seu frigorífico, este está equipado com um indicador de temperatura que monitoriza a temperatura média na zona mais fria.
- AVISO: Este indicador destina-se a funcionar apenas com o seu frigorífico, não o utilize noutro frigorífico (de facto, a zona mais fria não é a mesma), ou para qualquer outra utilização.

Verificar a temperatura na zona mais fria

- Com o indicador de temperatura, pode verificar regularmente se a temperatura da zona mais fria está correta. De facto, a temperatura interna do frigorífico depende de vários fatores tais como a temperatura ambiente da divisão, a quantidade de alimentos armazenados e a frequência de abertura das portas. Tenha estes fatores em consideração ao configurar o aparelho.
- Quando o indicador mostrar «OK», significa que o termóstato está bem regulado e a temperatura interna está correta.
- Se o indicador de temperatura ficar BRANCO, significa que a temperatura está demasiado alta; neste caso, aumente a definição do controlo de temperatura do frigorífico e aguarde 12 horas antes de voltar a inspecionar visualmente o indicador. Quando tiverem sido colocados alimentos frescos ou a porta tiver sido deixada aberta, é possível que o indicador de temperatura fique BRANCO após algum tempo.

DOC E CERTIFICAÇÕES

Declaração de conformidade

Pelo presente confirmamos que os seguintes nomes de modelos de clientes e nomes de modelos Midea coincidem entre si respetivamente.

Marca	Modelo Midea	Modelo de comercialização	Modelo de fábrica
Midea	HD-403RWENJ	MDRB424FGE01I	CE-BCD310WE-JT
Midea	HD-403RWENJ	MDRB424FGE02I	CE-BCD310WE-JT

PT

Nome do fabricante: Guangzhou Midea Hualing Refrigerator Co., Ltd.
Morada do fabricante: No. 5 Xinguangsi Road, Qianfeng Zhujiang, Distrito de Nansha, Cidade de Guangzhou, Província de Guangdong, República Popular da China

Nós Guangzhou Midea Hualing Refrigerator Co., Ltd, declaramos por este meio que os produtos acima mencionados estão em conformidade com os regulamentos e normas atualmente válidos acima mencionados.

LIST Z PODZIĘKOWANIEM

Dziękujemy za wybranie produktu Midea! Przed użyciem nowego produktu firmy Midea dokładnie zapoznaj się z niniejszą instrukcją, aby mieć pewność, że wiesz, jak bezpiecznie korzystać z funkcji oferowanych przez nowe urządzenie.

SPIS TREŚCI

LIST Z PODZIĘKOWANIEM	01
SPECYFIKACJA	02
PRZEGLĄD PRODUKTU	03
INSTALACJA PRODUKTU	04
INSTRUKCJA OBSŁUGI	11
CZYSZCZENIE I KONSERWACJA	15
ROZWIĄZYWANIE PROBLEMÓW	17
DODATEK	19
DOKUMENTACJA I CERTYFIKATY	21

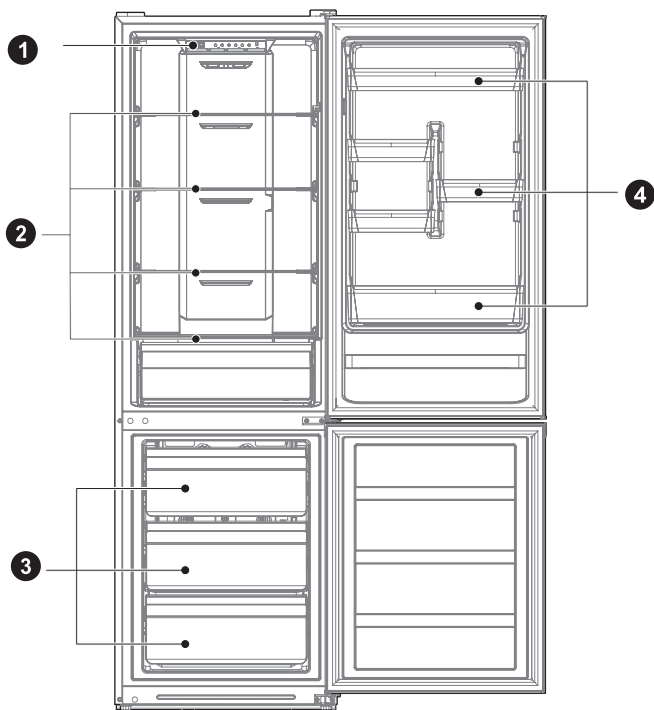
SPECYFIKACJA

Model produktu	MDRB424FGE01I MDRB424FGE02I
Pojemność komory na żywność świeżą	224 L
Pojemność komory na mrożonki	86 L
Procedura rozmrażania	Rozmrażanie automatyczne
Czas wzrostu temperatury	8 h
Zdolność zamrażania	3,9 kg/24h
Napięcie znamionowe	220-240 V~
Natężenie znamionowe	0,8 A
Wymiary ogólne (W × S × G)	1880x595x630 mm

PL

PRZEGLĄD PRODUKTU

Elementy



1 Szuflada

2 Półka

3 Szuflada

4 Balkonik na drzwi

UWAGA

Powyższa ilustracja ma charakter poglądowy. Rzeczywista konfiguracja zależy od modelu bądź zamówienia dystrybutora.

INSTALACJA PRODUKTU

Instrukcja instalacji

Dla urządzeń chłodniczych z oznaczoną klasą klimatyczną

- W zależności od klasy klimatycznej niniejsze urządzenie chłodnicze jest przeznaczone do użytku w zakresach temperatur otoczenia podanych w poniższej tabeli.
- Klasę klimatyczną można znaleźć na tabliczce znamionowej. Produkt może nie działać prawidłowo w temperaturach spoza określonego zakresu.
- Klasę klimatyczną można znaleźć na etykiecie produktu.

Zakres temperatury otoczenia

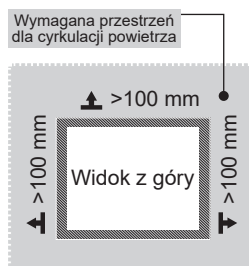
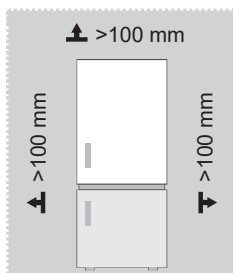
- Lodówka została zaprojektowana do pracy w zakresie temperatur określonym przez jej klasę znamionową.

Klasa	Symbol	Zakres temperatury otoczenia (°C)	
		IEC 62552 (ISO 15502)	ISO 8561
Rozszerzona umiarkowana	SN	+10°C do +32°C	+10°C do +32°C
Umiarkowana	N	+16°C do +32°C	+16°C do +32°C
Subtropikalna	ST	+16°C do +38°C	+18°C do +38°C
Tropikalna	T	+16°C do +43°C	+18°C do +43°C

PL

Wymiary i odstępy

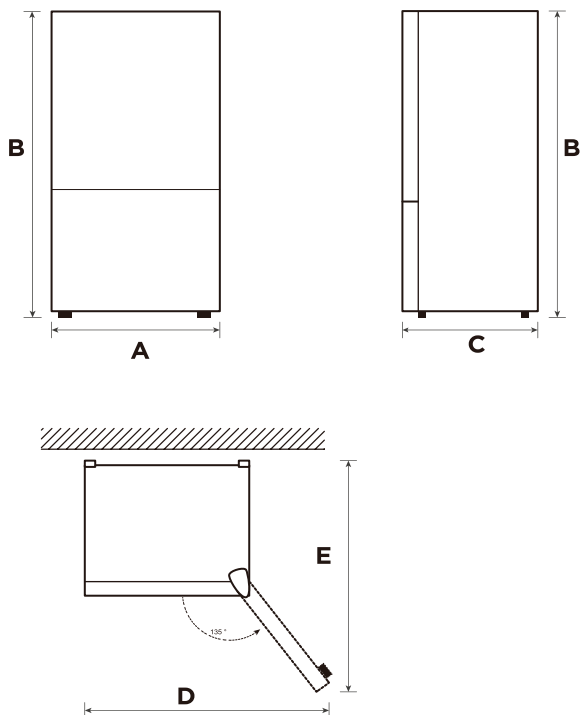
- Zbyt mały odstęp od pobliskich przedmiotów może spowodować obniżenie skuteczności mrożenia i zwiększenie kosztu energii elektrycznej. Podczas instalacji należy zapewnić ponad 100 mm odstęp od ścian wokół urządzenia.



UWAGA

Powyższa ilustracja ma charakter poglądowy. Rzeczywista konfiguracja zależy od modelu bądź zamówienia dystrybutora.

Schemat wymogów przestrzennych (gdy drzwi są otwarte i gdy drzwi są zamknięte)



PL

Szerokość	Wysokość ogólna	Głębokość	Szerokość, drzwi otwarte do 135°	Głębokość, drzwi otwarte do 135°
A	B	C	D	E
595	1880	630	988	1074

Uwaga: Wszystkie wymiary w mm

Zmiana kierunku otwierania drzwi (opcjonalna)

W zależności od miejsca, gdzie lodówka będzie ustawiona, może zająć konieczność zmiany kierunku otwierania drzwi.

OSTROŻNIE

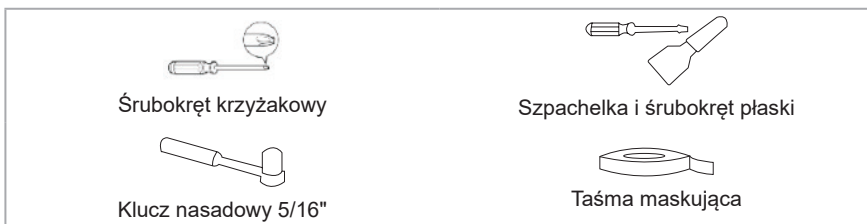
PRZESTROGA: Aby uniknąć obrażeń ciała lub szkód materialnych, zalecamy zorganizowanie drugiej osoby do pomocy w procedurze zmiany kierunku otwierania drzwi.

Przygotowanie do zmiany kierunku otwierania drzwi

Przygotować: Standardowy wkrętak, wkrętak krzyżakowy oraz dołączony klucz imbusowy.

- Upewnić się, że lodówka jest odłączona i że jest pusta.
- Skorzystać z pomocy drugiej osoby.
- Zachować wszystkie demontowane elementy, żeby można było użyć ich później.

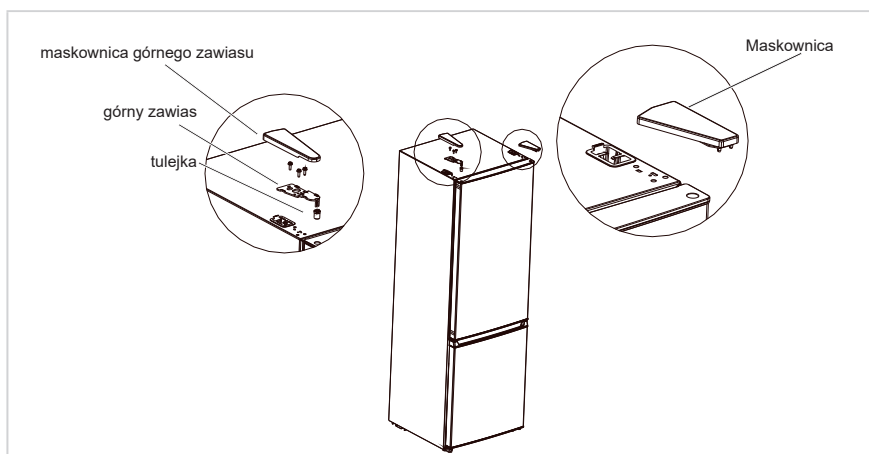
Narzędzia potrzebne do przełożenia drzwi:



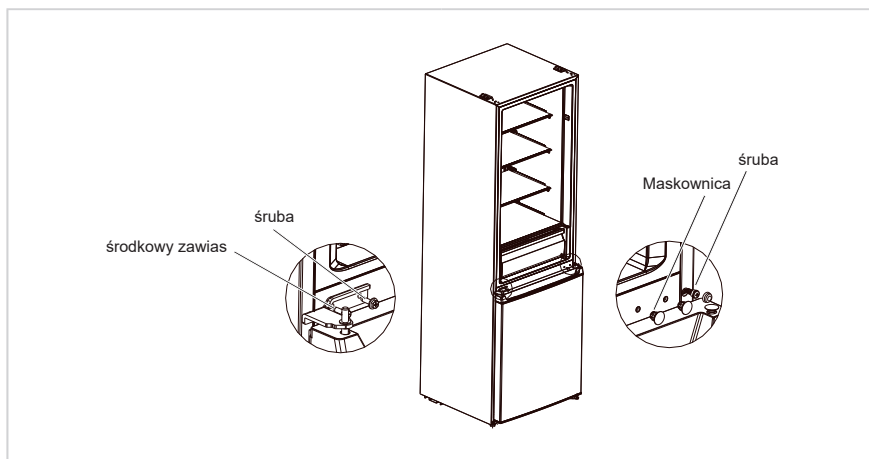
PL

Krok

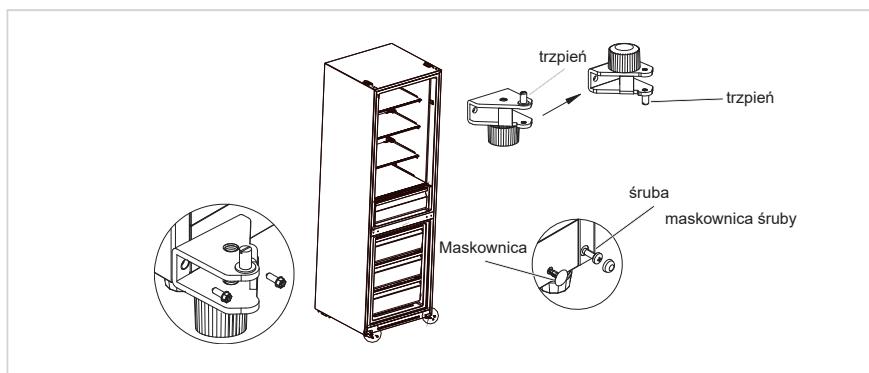
1. Wyłączyć lodówkę i wyjąć wszystkie przedmioty z balkoników na drzwiach.
2. Zdemontować maskownicę górnego zawiasu, rozłączyć przewody sygnałowe, zdemontować górny zawias i zaślepkę otworu po drugiej stronie. Zdjąć drzwi lodówki.



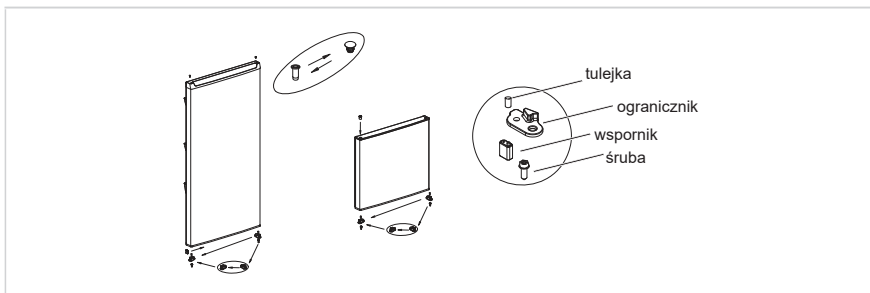
3. Zdemontować środkowy zawias, wykręcić śruby, zdemontować zaślepki otworów śrub i zdemontować drzwi zamrażarki.



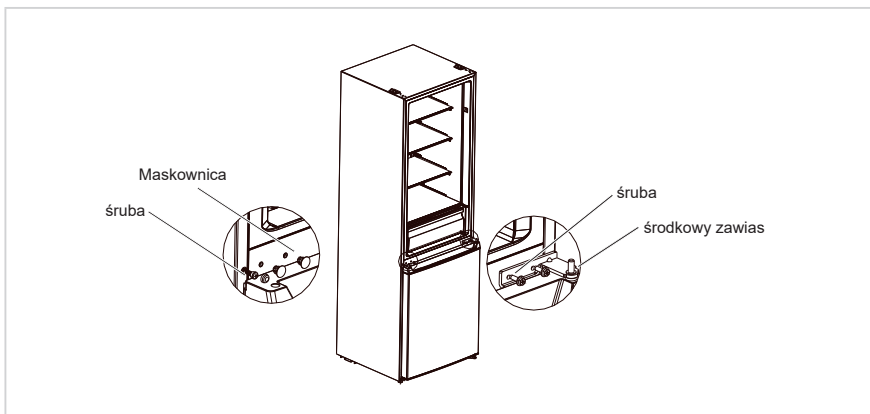
4. Zdemontować dolny zawias, zaślepki otworów i wykręcić śruby. Zamontować trzpień dolnego zawiasu i wyregulować nóżkę z drugiej strony dolnego zawiasu, a następnie zamontować zawias z drugiej strony.



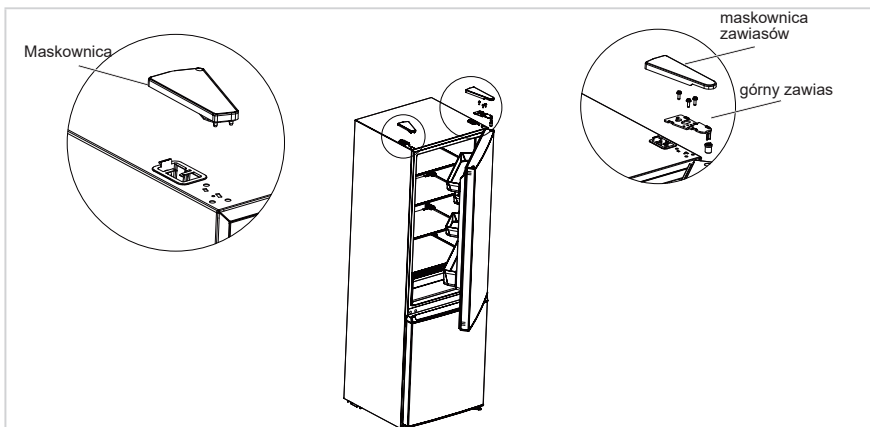
5. Wykręcić śrubę, wyjąć tulejkę i ogranicznik z drzwi lodówki i zamrażarki, wyjąć również wspornik dolnej maskownicy drzwi zamrażarki. Następnie zamontować je kolejno po drugiej stronie drzwi. (Wyjąć dolny ogranicznik z torebki z akcesoriami)
6. Zamienić położenie tulejki i zaślepki otworu na górnej maskownicy drzwi lodówki i zamontować tuleję górnego zawiasu na drzwiach zamrażarki w otworze z drugiej strony tulejki osiowej.



7. Założyć drzwi zamrażarki na dolny zawias, zamontować środkowy zawias, śruby i zaślepki otworów śrub.



8. Założyć drzwi lodówki na środkowy zawias, zamontować górny zawias, maskownicę zawiasu i zaślepkę otworu.



UWAGA

Powyższa ilustracja ma charakter poglądowy. Rzeczywista konfiguracja zależy od modelu bądź zamówienia dystrybutora.

Miejsce pracy

- Przed użyciem urządzenia należy usunąć wszystkie elementy opakowania w tym dolne poduszki, podkładki z pianki i taśmy znajdujące się wewnątrz chłodziarki; należy również zerwać folię ochronną z drzwi i obudowy lodówki.
- Przechowywać z dala od ognia i unikać miejsc bezpośrednio nasłonecznionych. Nie umieszczać zamrażarki w miejscu wilgotnym lub w pobliżu wody, aby zapobiec rdzewieniu i pogorszeniu skuteczności izolacji.
- Nie rozpylać na lodówkę cieczy ani nie myć lodówki; nie umieszczać lodówki w miejscach wilgotnych, gdzie może zostać zachłapana wodą, która może spowodować utratę właściwości izolacyjnych podzespołów elektrycznych lodówki.
- Ustaw chłodziarkę w dobrze wentylowanym pomieszczeniu. Podłoże powinno być płaskie i solidne (jeśli jest niestabilne, wyreguluj nóżki obracając kółkami w prawo lub lewo w celu wypoziomowania urządzenia).



Nóżki poziomujące

Aby zapobiec wibracjom, należy wypoziomować urządzenie.

W razie potrzeby wyregulować śruby poziomujące, aby skompensować nierówności podłoża.

Przód powinien być lekko uniesiony względem tyłu, aby zamykanie drzwi było łatwiejsze.

Aby ułatwić sobie przekręcanie śrub poziomujących, należy lekko pochylić urządzenie.

Obracać śruby poziomujące w lewo , aby podnieść urządzenie lub w prawo , aby urządzenie obniżyć.

Przemieszczanie urządzenia

1. Wyjąć wszystkie produkty z urządzenia.
2. Odłączyć wtyczkę zasilającą urządzenia od gniazda, umieścić i zablokować ją w uchwycie na wtyczkę z tyłu urządzenia lub na jego wierzchu.
3. Przymocować za pomocą taśmy samoprzylepnej elementy, takie jak półki i rączka drzwiczek, aby zapobiec ich wypadnięciu podczas przemieszczania urządzenia.
4. Urządzenie powinny przemieszczać dwie osoby, zachowując najwyższą ostrożność. Gdy urządzenie jest przemieszczane na dużą odległość, należy utrzymywać je w położeniu pionowym.
5. Po instalacji na miejscu podłączyć wtyczkę zasilającą do gniazda, aby włączyć urządzenie.

UWAGA

Środki ostrożności przed regulacją:

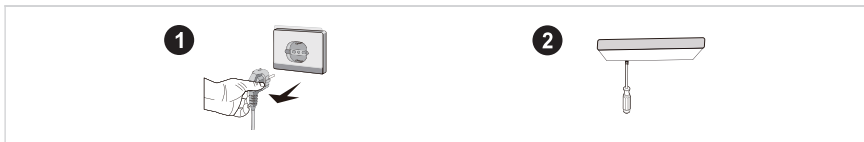
Przed wprowadzeniem zmian należy odłączyć lodówkę od zasilania. Zachować ostrożność, aby zapobiec obrażeniom ciała.

Wymiana źródła światła

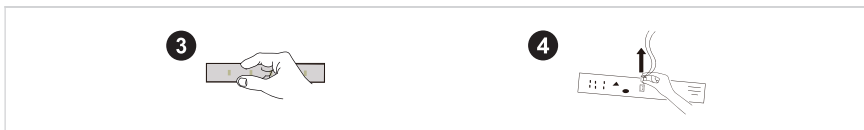
- Wymiana lub konserwacja lamp LED powinna być wykonana przez producenta, podległy mu serwis lub podobny profesjonalny punkt usługowy. Urządzenie jest wyposażone w źródło światła o klasie wydajności energetycznej <F>.

Krok

1. Odłączyć wtyczkę przed demontażem.
2. Klosz zdjąć za pomocą śrubokręta.



3. Zdjąć panel lampy.
4. Odłączyć wtyczkę przewodu zasilającego.



PL

Podłączanie urządzenia

Przed pierwszym uruchomieniem i podłączeniem do źródła zasilania należy odstawić lodówkę na przynajmniej pół godziny.

UWAGA

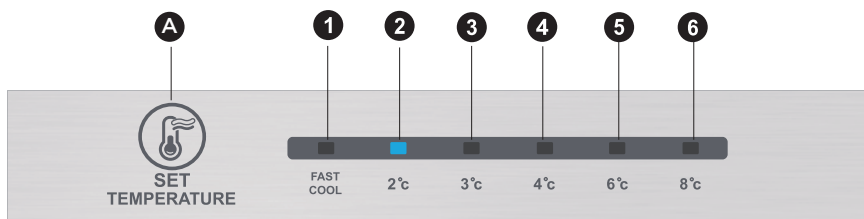
Chłodziarkę należy uruchomić 2-3 godziny przed umieszczeniem w niej jakichkolwiek produktów spożywczych; latem 4 godziny, jeśli temperatura otoczenia jest wysoka.

Wskazówki na temat oszczędzania energii

- Urządzenie należy umieścić w najchłodniejszym miejscu w pomieszczeniu, z dala od urządzeń generujących ciepło lub kanałów ciepłego powietrza, w miejscu, które nie jest bezpośrednio nasłonecznione.
- Gorące potrawy należy wystudzić do temperatury pokojowej zanim zostaną umieszczone w urządzeniu. Umieszczenie w urządzeniu zbyt dużej ilości produktów wymusza dłuższą pracę sprężarki. Żywność, która jest zamrażana zbyt wolno może stracić walory smakowe lub ulec zepsuciu.
- Przed umieszczeniem produktów spożywczych w urządzeniu pamiętaj o ich prawidłowym zawinięciu i wytarciu pojemników do sucha. Pozwala to ograniczyć gromadzenie się lodu wewnątrz urządzenia.
- Pojemników wewnątrz urządzenia nie należy wyklejać folią aluminiową, woskowanym papierem ani papierowymi ręcznikami. Materiały tego typu zakłócają obieg zimnego powietrza, przez co urządzenie staje się mniej wydajne.
- Należy dbać o prawidłowe układanie żywności i jej oznakowanie, aby zredukować częstotliwość otwierania drzwi oraz skrócić czas poszukiwania danego produktu. Należy za jednym otwarciem drzwi wyjąć możliwie jak najwięcej produktów i zamknąć drzwi tak szybko jak to możliwe.

INSTRUKCJA OBSŁUGI

Panel sterowania



UWAGA

Powyższa ilustracja ma charakter poglądowy. Rzeczywista konfiguracja zależy od modelu bądź zamówienia dystrybutora.

Przyciski

A	Przycisk alarm/wyłączenie/włączenie zasilania
---	---

Ekran wyświetlacza

1	1 ustawienie temperatury
2	2 ustawienie temperatury
3	3 ustawienie temperatury
4	4 ustawienie temperatury
5	5 ustawienie temperatury
6	6 ustawienie temperatury

Wyświetlacz

Po włączeniu lodówki wyświetlacz (w tym podświetlenie przycisku) włączy się na 3 s, a lodówka zacznie działać z 3 ustawieniem temperatury.

Wyświetlacz zwykłej pracy

Gdy wystąpi błąd, odpowiednia dioda oznajmi kod błędu (na zmiennym wyświetlaczu);

Gdy nie ma błędu, dioda wskazuje aktualne ustawienie temperatury.

UWAGA

Panel sterowania może wyglądać nieco inaczej w zależności od modelu.

Instrukcja obsługi

Ustawianie trybu pracy

- Ustawienie temperatury zmienia się po każdym naciśnięciu przycisku konfiguracji. Następnie, po 15 sekundach, lodówka rozpocznie pracę z nowym ustawieniem temperatury.

Ustawienie 1 → Ustawienie 2 → Ustawienie 3 → Ustawienie 4 → Ustawienie 5 → Ustawienie 6 → Ustawienie 1 →

Tryb szybkiego chłodzenia:

- Uruchomienie: wybór trybu szybkiego chłodzenia.
- Działanie: włącza się wskaźnik szybkiego chłodzenia, a lodówka utrzymuje temperaturę 2°C.
- Tryb szybkiego chłodzenia zostanie automatycznie wyłączony po 24 godzinach.
- Funkcja szybkiego chłodzenia może być używana jako funkcja intensywnego zamrażania.

Regulacja ręcznego pokrętła przepustnicy powietrza

- Po przestawieniu suwaka przepustnicy powietrza do góry, temperatura wewnątrz zamrażarki spadnie, przestawienie suwaka przepustnicy powietrza na dół spowoduje wzrost temperatury w zamrażarce.

FREEZER-TEMP

COLDEST

COLDER

COLD



Kod błędu

- Poniższe ostrzeżenia, które pojawiają się na wyświetlaczu oznaczają błędy lodówki. Wystąpienie błędu nie zawsze oznacza utratę funkcji chłodzenia lub zamrażania, mimo to należy zawsze skontaktować się z serwisem, aby zapewnić prawidłową pracę urządzenia.

Kod błędu	Opis błędu
Dioda LED 1 i dioda LED 2 włączone	Obwód czujnika temperatury lodówki
Dioda LED 1 i dioda LED 3 włączone	Czujnik rozmrażania zamrażarki
Dioda LED 1 i dioda LED 4 włączone	Czujnik temperatury otoczenia

UWAGA

Uwaga: Funkcja szybkiego mrożenia pozwala zachować wartości odżywcze żywności przechowywanej w zamrażarce. Umożliwia ona zamrożenie żywności w najkrótszym możliwym czasie. Jeżeli równocześnie mrożona będzie duża ilość żywności, zalecane jest włączenie funkcji szybkiego mrożenia i włożenie żywności. Spowoduje to zwiększenie szybkości zamrażania przez komorę zamrażarki, dzięki czemu nastąpi szybkie zamrożenie żywności, z zachowaniem wartości odżywczych, co sprzyja przechowywaniu żywności.

Komora chłodziarki

- Komora chłodziarki jest przeznaczona do przechowywania owoców, warzyw, napojów i innych produktów żywnościowych, które zostaną skonsumowane w krótkim czasie. Sugerowany czas przechowywania to 3 do 5 dni.
- Przygotowane potrawy można umieszczać w chłodziarce dopiero po ich całkowitym wystygnięciu (temperatura pokojowa).
- Zaleca się szczelne opakowanie żywności umieszczanej w chłodziarce.
- Szklane półki można umieścić wyżej lub niżej, aby dostosować dostępną przestrzeń do umieszczonej żywności i zwiększyć wygodę użytkowania.

Komora zamrażarki

- Komora zamrażarki umożliwia zachowanie świeżości żywności przez długi czas. Służy ona głównie do przechowywania mrożonek i wytwarzania lodu.
- Komora zamrażarki umożliwia przechowywanie mięsa, ryb, kulek ryżowych i innej żywności, która nie będzie konsumowana w najbliższym czasie.
- Mięso należy podzielić na mniejsze porcje, aby umożliwić szybkie mrożenie i ułatwić użytkowanie. Żywność należy spożytkować przed upłynięciem terminu przydatności do spożycia.

UWAGA

Uwaga: Umieszczenie zbyt dużej ilości produktów spożywczych po pierwszym podłączeniu urządzenia do zasilania może niekorzystnie wpłynąć na efektywność zamrażania.

Zamów	Przegroda RODZAJ	Docelowa temp. przechowywania [°C]	Odpowiednia żywność
1	Lodówka	+2 ~ +8	Jajka, żywność gotowana, żywność pakowana, owoce i warzywa, produkty nabiałowe, ciasta, napoje i inna żywność, której nie można mrozić.
2	(***)*-Zamrażarka	≤-18	Owoce morza (ryby, krewetki, małże), produkty rybne słodkowodne i mięso (zalecany czas przechowywania to 3 miesiące, im dłuższy czas przechowywania tym gorszy smak i wartości odżywcze), możliwość mrożenia świeżej żywności.
3	***-Zamrażarka	≤-18	Owoce morza (ryby, krewetki, małże), produkty rybne słodkowodne i mięso (zalecany czas przechowywania to 3 miesiące, im dłuższy czas przechowywania tym gorszy smak i wartości odżywcze), możliwość mrożenia świeżej żywności.
4	**Zamrażarka	≤-12	Owoce morza (ryby, krewetki, małże), produkty rybne słodkowodne i mięso (zalecany czas przechowywania to 3 miesiące, im dłuższy czas przechowywania tym gorszy smak i wartości odżywcze), możliwość mrożenia świeżej żywności.
5	*Zamrażarka	≤-6	Owoce morza (ryby, krewetki, małże), produkty rybne słodkowodne i mięso (zalecany czas przechowywania to 3 miesiące, im dłuższy czas przechowywania tym gorszy smak i wartości odżywcze), możliwość mrożenia świeżej żywności.
6	0 gwiazdek	-6 ~ 0	Świeża wieprzowina, wołowina, ryby, kurczak, przetworzona żywność pakowana itp. (Zalecane spożycie w ciągu bieżącego dnia, przechowywanie nie dłużej niż 3 dni). Częściowo utrwalona żywność przetworzona (żywność, której nie można mrozić).
7	Schładzanie	-2 ~ +3	Świeża/mrożona wieprzowina, wołowina, kurczak, ryby słodkowodne itp. (7 dni poniżej 0°C, a powyżej 0°C zaleca się zużycie w ciągu bieżącego dnia; nie przechowywać dłużej niż 2 dni). Owoce morza (mniej niż 0 przez 15 dni, nie zaleca się przechowywania powyżej 0°C).
8	Świeża żywność	0 ~ +4	Świeża wieprzowina, wołowina, ryby, kurczak, żywność gotowana itp. (Zalecane spożycie w ciągu bieżącego dnia, przechowywanie nie dłużej niż 3 dni).
9	Wino	+5 ~ +20	Wino czerwone, wino białe, wino musujące itp.

UWAGA

żywność należy przechowywać w odpowiednich przegrodach lub zgodnie z oznaczeniem na opakowaniu.

CZYSZCZENIE I KONSERWACJA

Czyszczenie ogólne

- Należy regularnie usuwać kurz gromadzący się za lodówką. Pozwoli to poprawić wydajność chłodzenia i oszczędzić energię.
- Należy regularnie sprawdzać uszczelki w drzwiach i upewnić się, że nie są zabrudzone. Uszczelkę w drzwiach należy czyścić miękką szmatką zwilżoną wodą z mydłem lub rozcieńczonym detergentem.
- Wnętrze lodówki należy regularnie czyścić, aby zapobiec powstawaniu nieprzyjemnych woni.
- Przed czyszczeniem należy wyłączyć zasilanie, usunąć wszystkie produkty żywnościowe i napoje, wyjąć półki, szuflady itp.
- Do czyszczenia wnętrza chłodziarki używać miękkiej ściereczki lub gąbki oraz roztworu dwóch łyżek stołowych sody oczyszczonej rozpuszczonych w kwarcie ciepłej wody. Przetrzeć czystą wodą. Po czyszczeniu, zanim włączone zostanie zasilanie, otworzyć drzwi i poczekać, aż urządzenie wyschnie.
- W przypadku przestrzeni w chłodziarce, które trudno jest wyczyścić (takich jak wąskie przestrzenie, szczeliny lub narożniki), zaleca się ich regularne przecieranie miękką szmatką, miękką szczotką, a gdy jest taka potrzeba narzędziem pomocniczym (na przykład cienkim patyczkiem). Pozwoli to zapobiec gromadzeniu się w tych przestrzeniach zanieczyszczeń i bakterii.
- Nie używać mydła, detergentów, proszków do szorowania, środków czyszczących w sprayu itp., gdyż mogą one spowodować skażenie żywności lub utrzymywanie się we wnętrzu chłodziarki silnego zapachu.
- Półkę na butelki, półki i szuflady należy czyścić miękką szmatką zwilżoną wodą z mydłem lub rozcieńczonym detergentem. Osuszyć za pomocą miękkiej szmatki lub pozostawić do wyschnięcia.
- Zewnętrzne powierzchnie lodówki przecierać miękką szmatką zwilżoną wodą z mydłem, detergentem itp., a następnie wytrzeć do sucha.
- Nie używać twardych szczotek, wełny stalowej, szczotek drucianych, środków ściernych (takich jak pasta do zębów), rozpuszczalników organicznych (takich jak alkohol, aceton, olej z bananów itp.), wrzącej wody, środków kwasowych lub zasadowych, gdyż mogą one uszkodzić wewnętrzne lub zewnętrzne powierzchnie lodówki. Wrząca woda i rozpuszczalniki organiczne, takie jak benzen, mogą spowodować odkształcenie elementów z tworzyw sztucznych.
- Podczas czyszczenia nie płukać urządzenia bezpośrednio wodą lub innymi płynami, aby uniknąć zwarcia lub naruszenia izolacji poprzez jej zawilgocenie.

UWAGA

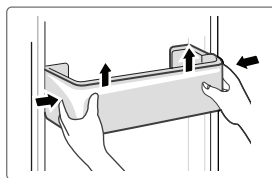
Na czas czyszczenia i rozmrażania lodówka powinna być wyłączona.

Odszranianie

- Lodówka działa na zasadzie chłodzenia powietrzem, dlatego posiada funkcję automatycznego rozmrażania. Lód gromadzący się z powodu zmiany warunków otoczenia lub temperatury można usunąć ręcznie, odłączając urządzenie od zasilania lub poprzez przetarcie suchym ręcznikiem.

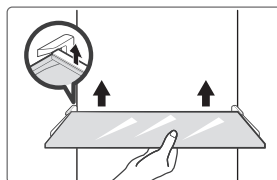
Czyszczenie balkoników drzwiowych

- Ścisnąć obiema dłońmi balkonik w kierunku wskazanym na poniższym obrazku przez strzałki i pchnąć go do góry, aby go wyjąć.
- Po umyciu wyjętego balkonika można umieścić go na dowolnej wysokości.



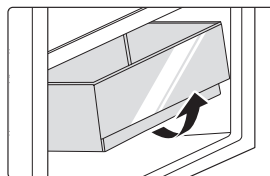
Czyszczenie szklanych półek

- W tylnej części półki znajduje się wypust blokujący dlatego, aby wyjąć półkę, należy ją unieść.
- Wyczyścić i wyregulować półki zgodnie z zapotrzebowaniem.



Czyszczenie szuflady na warzywa

1. Wyjąć zawartość szuflady. Chwycić za rączkę szuflady na warzywa i wysunąć ją całkowicie, do oporu.
2. Unieść szufladę na warzywa i wyjąć ją, wyciągając.



PL

Gdy urządzenie nie działa

Awaria zasilania:

W razie awarii zasilania, nawet latem, temperatura żywności przechowywanej w urządzeniu będzie zachowana przez kilka godzin. Podczas przerwy w dostawie energii elektrycznej należy ograniczyć częstotliwość otwierania drzwi lodówki i nie należy umieszczać w niej dodatkowej nieschłodzonej żywności.

Długa przerwa w korzystaniu z urządzenia:

urządzenie należy odłączyć od zasilania, a następnie wyczyścić. Pozostawić otwarte drzwi, aby zapobiec powstawaniu nieprzyjemnych zapachów.

Przemieszczanie:

przed przemieszczeniem lodówki należy wyjąć z niej wszystkie produkty żywnościowe, za pomocą taśmy samoprzylepnej przymocować szklane elementy wyposażenia wewnętrznego, pojemnik na warzywa, szuflady komory zamrażarki i skrócić nóżki poziomujące, a następnie okleić je taśmą. Podczas przemieszczania urządzenie nie może być obrócone do góry dnem ani ułożone poziomo. Urządzenia nie należy poddawać wstrząsom. Przemieszczanego urządzenia nie należy pochyłać o więcej niż 45°.

● UWAGA

Po uruchomieniu urządzenie powinno działać bez przerw. Praca urządzenia nie powinna być zakłócana, gdyż może to spowodować skrócenie żywotności urządzenia.

ROZWIĄZYWANIE PROBLEMÓW

Poniższe proste w rozwiązaniu problemy użytkownik może usunąć samodzielnie. Jeśli problemy nie zostaną rozwiązane, należy skontaktować się z działem serwisu posprzedażowego.

Problem	Prawdopodobna przyczyna
Nie działa	<ul style="list-style-type: none">• Sprawdzić, czy urządzenie jest podłączone do zasilania oraz czy wtyczka jest poprawnie podłączona
	<ul style="list-style-type: none">• Sprawdzić, czy napięcie jest odpowiednio wysokie
	<ul style="list-style-type: none">• Sprawdzić, czy zasilanie działa lub czy nie doszło do wyłączenia obwodu zasilającego
Nieprzyjemna woń	<ul style="list-style-type: none">• Żywność wydzielającą intensywną woń należy szczelnie opakować
	<ul style="list-style-type: none">• Sprawdzić, czy żywność zepsuła się
	<ul style="list-style-type: none">• Wyczyścić wnętrze lodówki
Przedłużająca się praca sprężarki	<ul style="list-style-type: none">• Długa praca lodówki jest zjawiskiem normalnym w lecie, kiedy występują wysokie temperatury
	<ul style="list-style-type: none">• Nie zaleca się przechowywania dużej ilości żywności
	<ul style="list-style-type: none">• Żywność należy wystudzić przed umieszczeniem jej w lodówce
	<ul style="list-style-type: none">• Drzwi otwierane są zbyt często
Oświetlenie nie włącza się	<ul style="list-style-type: none">• Sprawdzić, czy urządzenie jest podłączone do źródła zasilania i czy źródło światła jest sprawne
	<ul style="list-style-type: none">• Zlecić wymianę źródła światła specjalście
Nie można prawidłowo zamknąć drzwi	<ul style="list-style-type: none">• Drzwi blokowane są przez umieszczoną żywność
	<ul style="list-style-type: none">• Lodówka jest przechylona.
Głośne hałasy	<ul style="list-style-type: none">• Sprawdzić, czy posadzka jest równa i czy lodówka stoi stabilnie
	<ul style="list-style-type: none">• Sprawdzić, czy akcesoria znajdują się na swoich miejscach

Problem	Prawdopodobna przyczyna
Uszczelka drzwi jest rozciągnięta	<ul style="list-style-type: none"> • Usunąć ciała obce znajdujące się na uszczelce • Podgrzać uszczelkę drzwi i schłodzić ją, aby przywrócić jej kształt (użyć suszarki elektrycznej lub gorącego ręcznika)
Przelewanie się wody w zbiorniku	<ul style="list-style-type: none"> • W komorze znajduje się zbyt dużo żywności lub żywność zawiera zbyt dużo wody co skutkuje intensywnym odszranianiem. • Drzwi nie są poprawnie zamknięte, co powoduje powstawanie szronu pod wpływem przedostawania się do wnętrza ciepłego powietrza. Roztopianie szronu skutkuje pojawianiem się nadmiernej ilości wody
Ciepła obudowa	<ul style="list-style-type: none"> • Odprowadzanie ciepła wbudowanego skraplacza przez obudowę; jest to zjawisko normalne. Gdy obudowa rozgrzewa się do wysokich temperatur z powodu wysokiej temperatury otoczenia, umieszczenia zbyt dużej ilości żywności lub wyłączenia się sprężarki, należy zapewnić odpowiednią wentylację, która umożliwi odprowadzenie ciepła
Skraplanie się wody na powierzchni	<ul style="list-style-type: none"> • Skroplenie się wody na powierzchni zewnętrznej i uszczelkach drzwi jest zjawiskiem normalnym, gdy wilgotność powietrza jest wysoka. Skroploną wodę można wytrzeć czystym ręcznikiem.
Niestandardowe odgłosy	<ul style="list-style-type: none"> • Brzęczenie: Pracująca sprężarka może brzęczeć zwłaszcza podczas uruchamiania i wyłączania się. Jest to zjawisko normalne. • Trzaski: Chłodziwo krążące w urządzeniu może wydawać dźwięki przypominające trzaski. Jest to zjawisko normalne.

PL

DODATEK

Wymagania dotyczące nowych standardów Europejskich

Części zamawiane z poniższej tabeli można uzyskać za pośrednictwem kanału serwisowego.

Zamówiona część	Dostarczana przez	Minimalny wymagany czas dostępności
Termostaty	Profesjonalny personel serwisowy	Przynajmniej 7 lat od wprowadzenia na rynek ostatniego modelu
Czujnik temperatury	Profesjonalny personel serwisowy	Przynajmniej 7 lat od wprowadzenia na rynek ostatniego modelu
Płytką drukowaną	Profesjonalny personel serwisowy	Przynajmniej 7 lat od wprowadzenia na rynek ostatniego modelu
Źródło światła	Profesjonalny personel serwisowy	Przynajmniej 7 lat od wprowadzenia na rynek ostatniego modelu
Uchwyt drzwiczek	Profesjonalne serwisy i użytkownicy końcowi	Przynajmniej 7 lat od wprowadzenia na rynek ostatniego modelu
Zawiasy drzwi	Profesjonalne serwisy i użytkownicy końcowi	Przynajmniej 7 lat od wprowadzenia na rynek ostatniego modelu
Tace	Profesjonalne serwisy i użytkownicy końcowi	Przynajmniej 7 lat od wprowadzenia na rynek ostatniego modelu
Kosze	Profesjonalne serwisy i użytkownicy końcowi	Przynajmniej 7 lat od wprowadzenia na rynek ostatniego modelu
Uszczelki drzwi	Profesjonalne serwisy i użytkownicy końcowi	Przynajmniej 10 lat od wprowadzenia na rynek ostatniego modelu

Drogi kliencie,

1. W razie chęci zwrotu lub wymiany produktu należy się skontaktować z punktem zakupu. (Należy pamiętać o dostarczeniu paragonu zakupu)
2. W razie awarii urządzenia należy się skontaktować z działem obsługi klienta.

UWAGA

Informacje o modelu dostępne w bazie danych oraz identyfikator modelu można znaleźć na stronie internetowej, której adres można uzyskać, skanując kod QR (jeśli jest dostępny) znajdujący się na etykiecie wydajności energetycznej urządzenia.

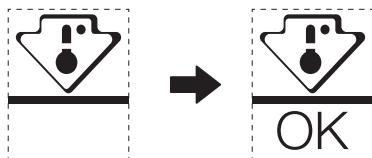
Aby dowiedzieć się więcej na temat wydajności energetycznej urządzenia, należy przejść do strony <https://ec.europa.eu> i wyszukać nazwę modelu urządzenia.

Nazwę modelu znaleźć można na etykiecie znamionowej urządzenia.

Najzimniejsza strefa w lodówce

OPCJONALNIE: wskaźnik OK temperatury

- Za pomocą wskaźnika OK temperatury można określić temperaturę poniżej +4°C. Stopniowo obniżać temperaturę, jeśli wskazanie „OK” nie jest wyświetlane.



- Aby zapewnić właściwą temperaturę w tej przestrzeni, nie zmieniać położenia półki. Lodówki z wymuszonym obiegiem powietrza (wyposażone w wentylator lub modele No Frost) nie posiadają oznaczenia najzimniejszej strefy, ponieważ panuje w nich równomierna temperatura.

Wskaźnik ustawionej temperatury

- Lodówka została wyposażona we wskaźnik ustawionej temperatury, który pomaga wybrać właściwe ustawienie i monitoruje średnią temperaturę w najzimniejszej strefie.
- **OSTRZEŻENIE:** wskaźnik może być stosowany wyłącznie w konkretnej lodówce, nie można go umieścić w innej lodówce (strefy najniższej temperatury różnią się między sobą) ani stosować do innych celów.

Sprawdzanie temperatury w najzimniejszej strefie

- Wskaźnik temperatury ułatwia regularne sprawdzanie, czy temperatura w najzimniejszej strefie jest właściwa. Na temperaturę wewnątrz lodówki wpływa wiele czynników, takich jak temperatura otoczenia, ilość umieszczonej żywności oraz częstotliwość otwierania drzwi. Konfigurując urządzenie, należy wziąć te czynniki pod uwagę.
- Gdy wskaźnik wyświetla komunikat «OK», oznacza to właściwe ustawienie termostatu i osiągnięcie pożądanej temperatury wewnętrznej.
- Gdy wskaźnik temperatury zmienia kolor na BIAŁY, oznacza to, że temperatura jest zbyt wysoka; w takiej sytuacji należy zwiększyć wartość ustawienia temperatury w lodówce i poczekać 12 godzin przed ponowieniem inspekcji wizualnej. Chwilę po dołożeniu świeżej żywności lub pozostawieniu otwartych drzwi wskaźnik temperatury może zmienić kolor na BIAŁY.

DOKUMENTACJA I CERTYFIKATY

Deklaracja zgodności

Niniejszym potwierdzamy, że poniższe konsumenckie nazwy modeli oraz nazwy modeli Midea są ze sobą zgodne.

Marka	Mode Midea	Model marketingowy	Model fabryczny
Midea	HD-403RWENJ	MDRB424FGE01I	CE-BCD310WE-JT
Midea	HD-403RWENJ	MDRB424FGE02I	CE-BCD310WE-JT

PL

Nazwa producenta: Guangzhou Midea Hualing Refrigerator Co., Ltd.
Adres producenta: No. 5 Xinguangsi Road, Qianfeng Zhujiang, Nansha District, Guangzhou City, Guangdong Province, P.R.China

Firma Guangzhou Midea Hualing Refrigerator Co., Ltd. oświadcza niniejszym, że produkty wymienione powyżej są zgodne z aktualnie obowiązującymi przepisami i normami.

PODĚKOVÁNÍ

Děkujeme vám, že jste si zvolili značku Midea. Před použitím svého nového výrobku Midea si prosím pečlivě přečtete tento návod, abyste si byli jistí, jak bezpečným způsobem ovládat možnosti a funkce, které váš nový spotřebič nabízí.

OBSAH

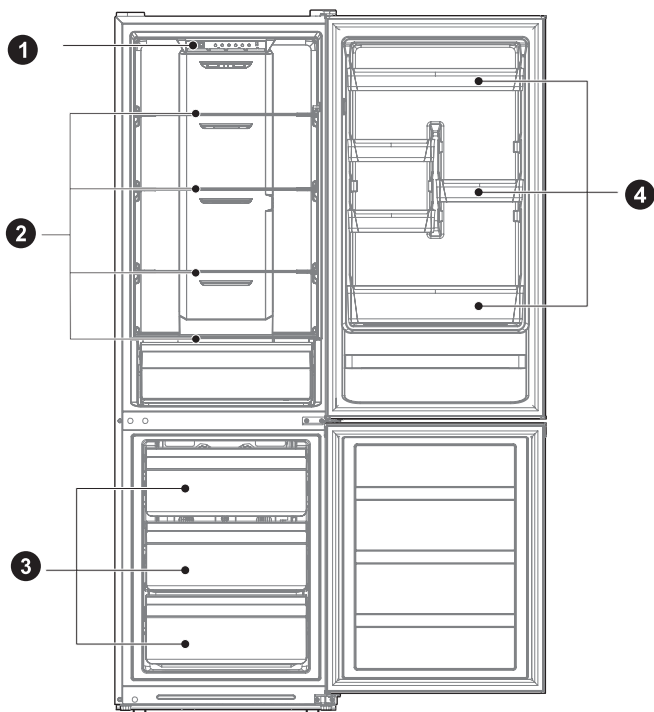
PODĚKOVÁNÍ	01
TECHNICKÉ ÚDAJE	02
PŘEHLED PRODUKTU	03
MONTÁŽ VÝROBKU	04
POKYNY K OVLÁDÁNÍ	11
ČIŠTĚNÍ A ÚDRŽBA	15
ŘEŠENÍ PROBLÉMŮ	17
DODATEK	19
PROHLÁŠENÍ O SHODĚ A OSVĚDČENÍ	21

TECHNICKÉ ÚDAJE

Model výrobku	MDRB424FGE01I MDRB424FGE02I
Objem úložného prostoru pro čerstvé potraviny	224 L
Objem úložného prostoru pro zmrazené potraviny	86 L
Typ odmrazování	Automatické rozmrazování
Doba zvýšení teploty	8 h
Mrazicí kapacita	3,9 kg/24h
Jmenovité napětí	220–240 V~
Jmenovitý proud	0,8 A
Celkové rozměry (V × Š × H)	1 880 × 595 × 630 mm

PŘEHLED PRODUKTU

Názvy součástí



1 Šuplík

2 Police

3 Šuplík

4 Police dveří

UPOZORNĚNÍ

Výše uvedený obrázek slouží pouze pro referenci. Skutečná konfigurace bude záviset na fyzickém výrobku nebo prohlášení distributora.

CZ

MONTÁŽ VÝROBKU

Pokyny k montáži

Pro chladicí zařízení s klimatickou třídou

- V závislosti na klimatické třídě je tento chladicí spotřebič určen k použití v rozmezí okolní teploty podle následující tabulky.
- Klimatickou třídu najdete na typovém štítku. Výrobek nemusí při teplotách mimo uvedený rozsah fungovat správně.
- Klimatickou třídu najdete na štítku výrobku.

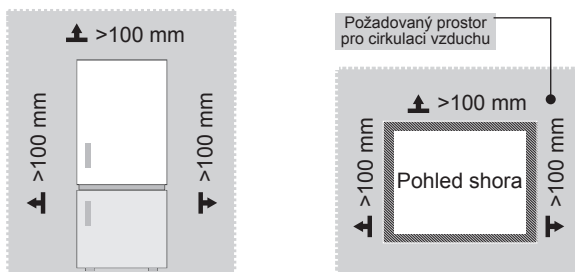
Efektivní rozsah teplot

- Výrobek je navržen tak, aby normálně fungoval v teplotním rozsahu určeném jeho třídou.

Třída	Symbol	Rozsah okolní teploty °C	
		IEC 62552 (ISO 15502)	ISO 8561
Rozšířené mírné pásmo	SN	+10 až +32	+10 až +32
Mírné pásmo	N	+16 až +32	+16 až +32
Subtropické pásmo	ST	+16 až +38	+18 až +38
Tropické pásmo	T	+16 až +43	+18 až +43

Rozměry a odstupy

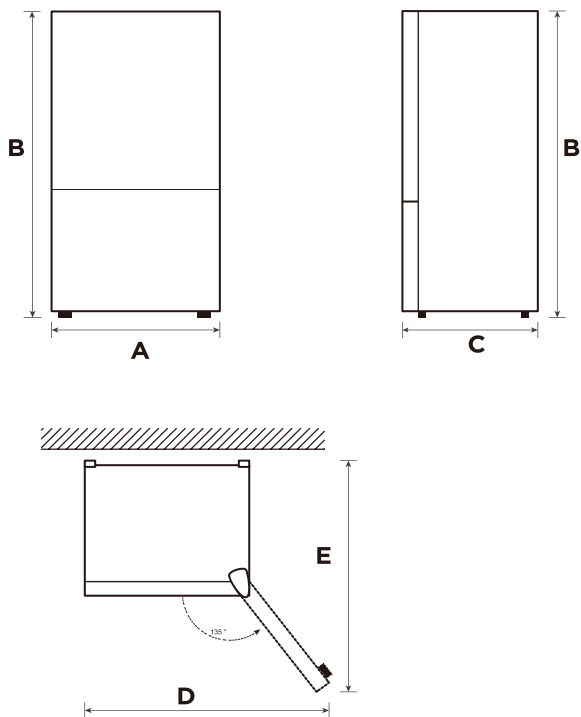
- Příliš malá vzdálenost od sousedních předmětů může vést ke zhoršení funkce mrazení a vyšším nákladům na elektrickou energii. Při montáži spotřebiče ponechte odstup od všech sousedních stěn více než 100 mm.



UPOZORNĚNÍ

Výše uvedený obrázek slouží pouze pro referenci. Skutečná konfigurace bude záviset na fyzickém výrobku nebo prohlášení distributora.

Schéma požadavků na prostor (při otevřených a zavřených dveřích)



CZ

Šířka	Celková výška	Hloubka	Šířka při otevření dveří v úhlu 135°	Hloubka při otevření dveří v úhlu 135°
A	B	C	D	E
595	1 880	630	988	1074

Poznámka: Všechny rozměry jsou uvedeny v milimetrech.

Změna z pravých dveří na levé (volitelná)

V závislosti na místě, kde plánujete chladničku používat, může být pohodlnější obrátit orientaci dveří.

VAROVÁNÍ

VAROVÁNÍ: Doporučujeme, aby vám během procesu obrácení dveří někdo pomáhal, abyste zabránili zranění nebo poškození majetku.

Příprava na obrácení orientace dveří

Budete potřebovat: běžný šroubovák, křížový šroubovák a dodaný imbusový klíč.

- Zkontrolujte, zda je chladnička odpojena a zda je prázdná.
- Mějte někoho při ruce, aby vám během procesu pomohl.
- Všechny součásti, které sejmete, si ponechte, abyste je mohli později znovu využít.

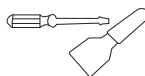
Nástroje potřebné ke změně orientace dveří:



Křížový šroubovák



5/16" nástrčná hlavice a ráčna



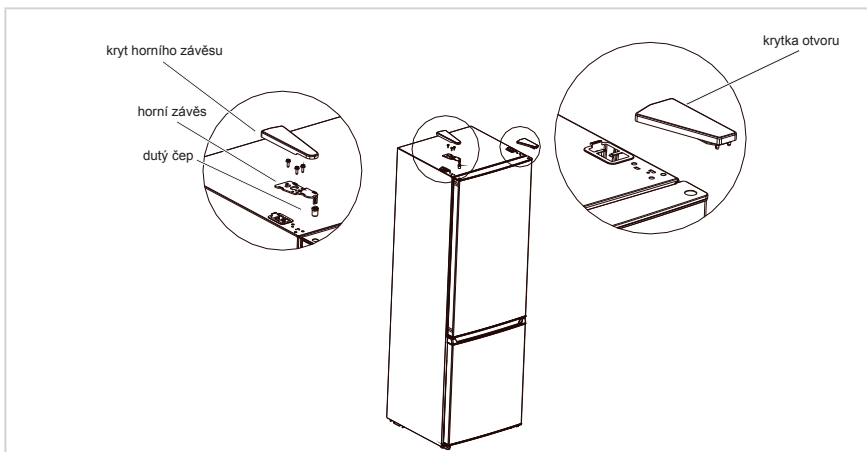
Nůž na tmel
šroubovák s tenkou hlavou



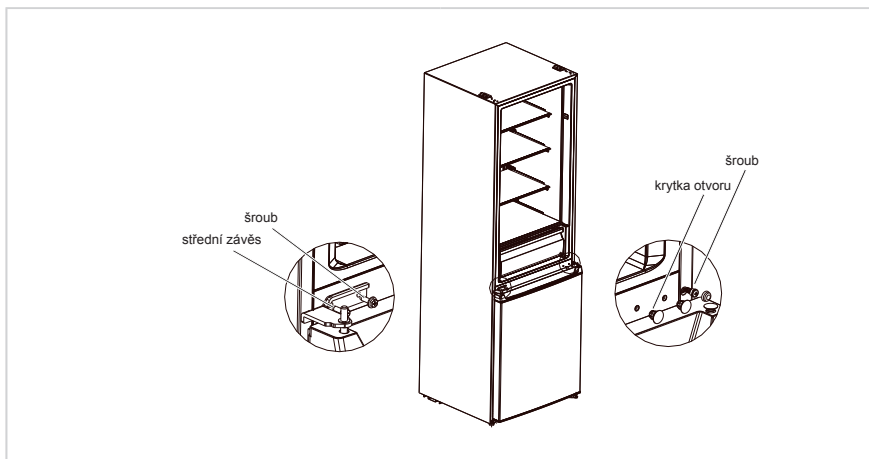
Krycí páska

Postup

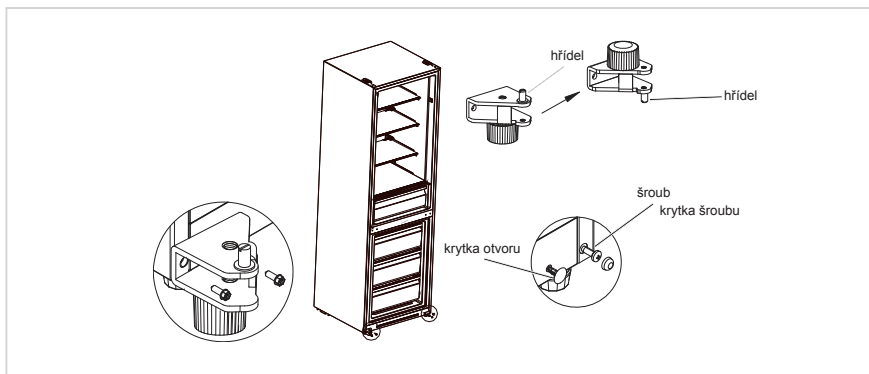
1. Vypněte chladničku a odstraňte všechny předměty z přihrádek ve dveřích.
2. Demontujte kryt horního závěsu, horní závěs a krytku otvoru na druhé straně a vyjměte dveře chladničky.



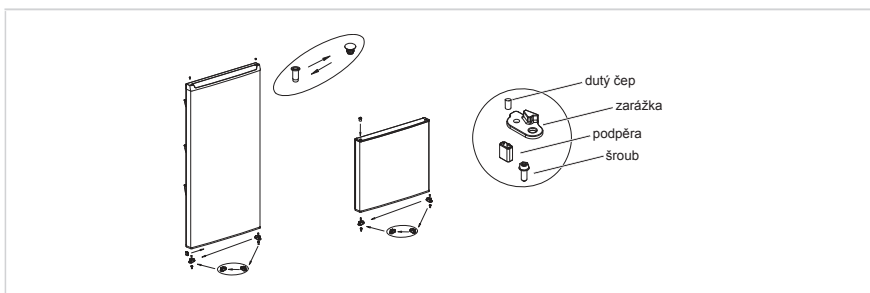
3. Demontujte střední závěs, šrouby, krytky otvorů pro šrouby a vyjměte dveře mrazničky.



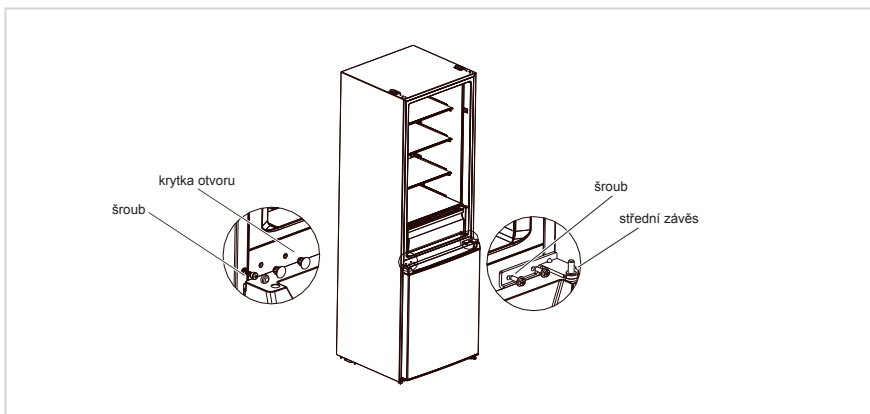
4. Demontujte spodní závěs, krytky otvorů a šrouby, namontujte hřídel spodního závěsu a nastavte nožičku na druhé straně spodního závěsu, poté namontujte závěs na druhé straně.



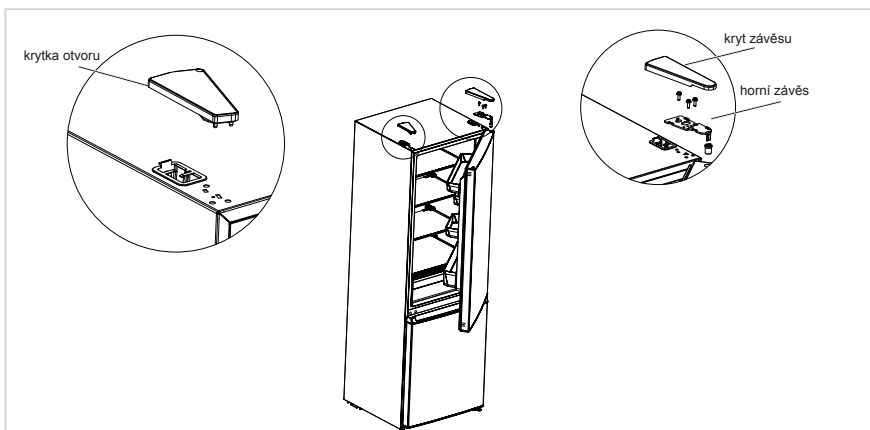
5. Demontujte šroub, objímkovou trubku a zarážku na dveřích chladničky a mrazničky. Odstraní se také podpěra na spodním krytu dveří chladničky. Poté díly namontujte v pořadí na druhou stranu dveří. (Ze sáčku s příslušenstvím vezměte spodní zarážku.)
6. Vyměňte polohu dutého čepu a krytky otvoru na horním krytu dveří chladničky a namontujte objímku horního závěsu na dveře mrazničky do otvoru na druhé straně objímky osy.



7. Nasadíte dveře chladicího prostoru na střední závěs a namontujte horní závěs a kryt závěsu.



8. Umístěte dveře chladničky na střední závěs a namontujte horní závěs, kryt závěsu a krytku otvoru.



UPOZORNĚNÍ

Výše uvedený obrázek slouží pouze pro referenci. Skutečná konfigurace bude záviset na fyzickém výrobku nebo prohlášení distributora.

Umístění

- Před použitím vyjměte veškerý obalový materiál včetně spodních vycpávek, pěnových destiček a pásek ve vnitřním prostoru chladničky. Sloupněte ochrannou fólii na dveřích a konstrukci chladničky.
- Umístěte spotřebič mimo dosah tepla a přímého slunečního záření. Neumísťujte mrazničku do vlhkých nebo mokrých míst, abyste zabránili korozi nebo snížení izolačního efektu.
- Na chladničku nestříkejte vodu ani ji neomývejte; nedávejte chladničku na vlhká místa, kde by mohla být snadno postříkána vodou, mohlo by to negativně ovlivnit elektrické izolační vlastnosti chladničky.
- Chladicí box je umístěn na dobře větraném místě v interiéru; plocha musí být rovná a pevná (otáčením doleva nebo doprava upravte vyrovnávací nožku, pokud je výrobek nestabilní).

Vyrovnávací nožičky

Spotřebič musí být vyrovnán, aby se zabránilo vibracím.

Pokud to bude nutné, nastavte vyrovnávací nožičky, aby vykompenzovaly nerovnou podlahu.

Jako pomoc k zavírání dveří by měla být přední část spotřebiče mírně vyšší než zadní část.

Vyrovnávacími šrouby lze snadno otáčet, když spotřebič mírně nakloníte.

Otáčením vyrovnávacími šrouby proti směru hodinových ručiček  spotřebič zvednete, otáčením ve směru hodinových ručiček  jej snížíte.

Přesunování spotřebiče

1. Vyjměte z vnitřku spotřebiče veškeré potraviny.
2. Vytáhněte napájecí zástrčku, vložte ji na háček napájecí zástrčky na zadní nebo horní části spotřebiče a zástrčku připevněte.
3. Přilepte lepicí páskou díly, jako jsou police a madlo dveří, abyste zabránili jejich vypadnutí během přesunování spotřebiče.
4. Spotřebič opatrně přesunujte ve více než dvou lidech. Přepravujete-li spotřebič na delší vzdálenost, udržujte jej ve svislé poloze.
5. Jakmile bude spotřebič namontován na místě, připojte napájecí zástrčku do zásuvky, a spotřebič tak zapněte.

UPOZORNĚNÍ

Bezpečnostní opatření před uvedením do provozu:

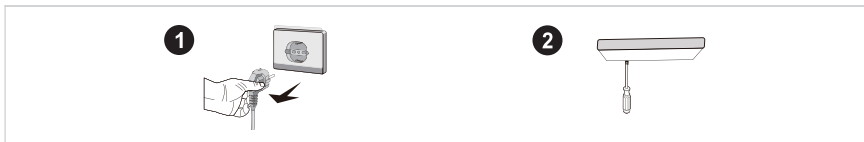
Před prováděním změn musí být chladnička odpojena od napájení. Je nutné dbát bezpečnostních opatření, abyste zabránili zranění osob.

Výměna žárovky

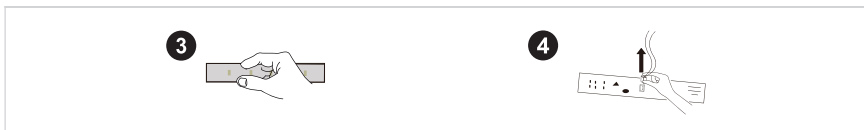
- Jakoukoli výměnu nebo údržbu LED osvětlení musí provádět výrobce, jeho servisní zástupce nebo podobně kvalifikovaná osoba. Tento výrobek obsahuje světelný zdroj energetické účinnosti třídy <F>.

Postup

1. Před vyjmutím vytáhněte zástrčku.
2. Pomocí šroubováku sejměte stínidlo světla



3. Demontujte panel světla.
4. Sejměte přípojovací svorku.



Připojení spotřebiče

Před prvním spuštěním nechte lednici v klidu půl hodiny stát, než ji připojíte k napájení.

UPOZORNĚNÍ

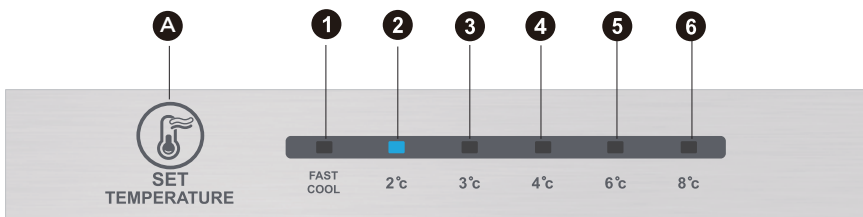
Než dovnitř vložíte jakékoli čerstvé nebo mražené potraviny, měla by chladnička běžet 2–3 hodiny nebo i více než 4 hodiny v létě, kdy je okolní teplota vysoká.

Tipy pro úsporu energie

- Spotřebič by měl být umístěn v nechladnějším místě místnosti, mimo dosah spotřebičů produkujících teplo a topných potrubí i mimo dosah přímého slunečního záření.
- Nevkládejte do spotřebiče horké potraviny – nechte je před vložením vychladnout na pokojovou teplotu. Přetěžování spotřebiče by vedlo k delšímu spuštění kompresoru. Potraviny, které by se zmrazovaly příliš pomalu, by mohly snížit svou kvalitu nebo se znehodnotit.
- Potraviny je nutné řádně zabalit a nádoby dosucha otřít, než je do spotřebiče vložíte. Omezíte tím vznik námrazy ve vnitřním prostoru spotřebiče.
- Zásuvka spotřebiče pro uchovávání potravin by neměla být obalena hliníkovou fólií, voskovaným papírem ani papírovými ručníky. Obaly narušují cirkulaci chladného vzduchu a spotřebič je pak méně účinný.
- Uspořádejte si potraviny a označte je tak, abyste zkrátili dobu otevření dveří a zamezili dlouhému hledání. Vyjměte najednou co nejvíce potravin a co nejdříve zavřete dveře.

POKYNY K OVLÁDÁNÍ

Ovládací panel



UPOZORNĚNÍ

Výše uvedený obrázek slouží pouze pro referenci. Skutečná konfigurace bude záviset na fyzickém výrobku nebo prohlášení distributora.

Tlačítko

A	Tlačítko nastavení teploty
---	----------------------------

Obrazovka displeje

1	Nastavení teploty 1
2	Nastavení teploty 2
3	Nastavení teploty 3
4	Nastavení teploty 4
5	Nastavení teploty 5
6	Nastavení teploty 6

CZ

Zobrazení

Při zapnutí chladničky se obrazovka displeje (včetně světelných tlačítek) rozsvítí naplno na 3 s, poté bude chladnička pracovat podle nastavení teploty 3.

Zobrazení normálního chodu

V případě závady bude odpovídající indikátor LED kombinovaně zobrazovat kód závady (v opakujícím se zobrazení);

Pokud není přítomna žádná závada, bude indikátor LED zobrazovat stávající nastavení teploty.

UPOZORNĚNÍ

Skutečný ovládací panel se může u jednotlivých modelů lišit.

Pokyny k obsluze

Nastavení vypínačem

- Nastavení teploty se změní každým stisknutím tlačítka SET. Po 15 sekundách bude chladnička pracovat podle nové nastavené hodnoty.

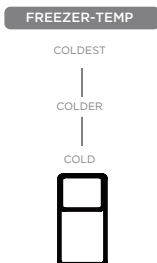
Nastavení 1 → Nastavení 2 → Nastavení 3 → nastavení 4 → Nastavení 5 →
Nastavení 6 → Nastavení 1 →

Režim rychlého chlazení:

- Aktivace: Periodicky se opakující změna režimu rychlého chlazení.
- Provoz: Rozsvítí se indikátor rychlého chlazení a chladnička bude pracovat při teplotě 2 °C.
- Režim rychlého chlazení se po 24 hodinách automaticky ukončí.
- Funkci rychlého chlazení lze použít jako funkci super mrazení.

Nastavení manuálního regulátoru vzduchové klapky

- Otočte posuvník vzduchové klapky nahoru, skutečná teplota uvnitř prostoru mrazničky klesne. Otočte posuvník vzduchové klapky dolů, skutečná teplota uvnitř prostoru mrazničky stoupne.



Chybový kód

- Následující výstrahy zobrazené na displeji indikují odpovídající závady chladničky. Přestože chladnička může při následujících poruchách stále poskytovat funkci chlazení a mrazení, uživatel musí požádat příslušného odborníka o údržbu, aby bylo možné chladničku používat běžným způsobem.

Kód chyby	Popis závady
Svítlí indikátor LED 1 a LED 2	Obvod senzoru teploty chladničky
Svítlí indikátor LED 1 a LED 3	Snímač odmrazování mrazničky
Svítlí indikátor LED 1 a LED 4	Senzor okolní teploty

UPOZORNĚNÍ

Poznámka: Funkce rychlého mrazení je určena k zachování nutriční hodnoty potravin v mrazničce. Pomocí ní lze zmrazit potraviny za nejkratší dobu. Pokud do mrazničky vkládáte větší množství potravin najednou, doporučuje se funkci rychlého mrazení zapnout a vložit potraviny. V tuto chvíli se rychlost mrazení v mrazicím prostoru zvýší. Potraviny se rychle zmrazí, efektivně se zachová jejich nutriční hodnota a usnadní skladování.

Chladicí oddíl

- Chladicí prostor je vhodný pro skladování celé řady ovoce, zeleniny, nápojů a jiných potravin s krátkou dobou spotřeby. Doporučená doba skladování je 3 až 5 dní.
- Vařené potraviny by měly být do chladicího oddílu vloženy až po zchladnutí na pokojovou teplotu.
- Před vložením potravin do chladničky se doporučuje, aby byly utěsněny.
- Skleněné police lze nastavit nahoru nebo dolů pro přiměřené množství úložného prostoru a snadné používání.

Mrazicí oddíl

- V mrazicím prostoru s nízkou teplotou lze uchovávat potraviny čerstvé po delší dobu. Prostor se využívá především ke skladování mražených potravin a ke tvorbě ledu.
- Mrazicí prostor je vhodný ke skladování masa, ryb, rýžových kuliček a jiných potravin, které se nezkonzumují během krátké lhůty.
- Kusy masa je lepší rozdělit na menší porce, aby se rychleji zmrazily a byl k nim snadný přístup. Upozorňujeme, že potraviny je nutné zkonsumovat do doby použitelnosti.

UPOZORNĚNÍ

Poznámka: Pokud byste do chladničky vložili po připojení k napájení během provozu příliš mnoho potravin, mohl by být nepříznivě ovlivněn mrazicí účinek.

Pořadí	Typ prostoru	Cílová skladovací teplota [°C]	Příslušná potravin
1	Chladnička	+2 ~ +8	Vejce, vařené potraviny, balené potraviny, ovoce a zelenina, mléčné výrobky, dorty, nápoje a další potraviny, které nejsou vhodné k mrazení.
2	(***)*-Mraznička	≤-18	Potraviny z moře (ryby, krevety, měkkýši), sladkovodní vodní produkty a produkty z masa (doporučeno po dobu 3 měsíců; čím delší doba, tím horší chuť a výživové hodnoty), vhodné pro zmrazené čerstvé potraviny.
3	***-Mraznička	≤-18	Potraviny z moře (ryby, krevety, měkkýši), sladkovodní vodní produkty a produkty z masa (doporučeno po dobu 3 měsíců; čím delší doba, tím horší chuť a výživové hodnoty), vhodné pro zmrazené čerstvé potraviny.
4	** -Mraznička	≤-12	Potraviny z moře (ryby, krevety, měkkýši), sladkovodní vodní produkty a produkty z masa (doporučeno po dobu 3 měsíců; čím delší doba, tím horší chuť a výživové hodnoty), vhodné pro zmrazené čerstvé potraviny.
5	*-Mraznička	≤-6	Potraviny z moře (ryby, krevety, měkkýši), sladkovodní vodní produkty a produkty z masa (doporučeno po dobu 3 měsíců; čím delší doba, tím horší chuť a výživové hodnoty), vhodné pro zmrazené čerstvé potraviny.
6	0 hvězdiček	-6 ~ 0	Čerstvé vepřové, hovězí, ryby, kuřecí, určité zabalené zpracované potraviny atd. (doporučeno sníst ten samý den, nejlépe ne později než za 3 dny). Částečně balené zpracované potraviny (potraviny, které nejsou určeny k mrazení).
7	Mrazičkový prostor	-2 ~ +3	Čerstvé/mrazené vepřové, hovězí a kuřecí maso, výrobky ze sladkovodních ryb atd. (pod 0 °C mohou být potraviny uchovávány po 7 dnů, nad 0 °C se doporučuje potraviny konzumovat ve stejný den, nejlépe do maximálně 2 dnů), potraviny z moře (pod 0 °C po dobu 15 dnů, nedoporučuje se skladovat při teplotě nad 0 °C).
8	Čerstvé potraviny	0 ~ +4	Čerstvé vepřové, hovězí, ryby, kuřecí, vařené potraviny atd. (doporučeno sníst ten samý den, nejlépe ne později než za 3 dny).
9	Víno	+5 ~ +20	Červené víno, bílé víno, šumivé víno atd.

UPOZORNĚNÍ

Skladujte různé druhy potravin v jim příslušných prostorech nebo podle cílové skladovací teploty zakoupených výrobků.

ČIŠTĚNÍ A ÚDRŽBA

Celkové čištění

- Prach za chladničkou a na podlaze by měl být včas uklízen, aby se zlepšila účinnost chlazení a úspora energie.
- Pravidelně kontrolujte těsnění dveří, abyste se ujistili, že v něm nejsou nečistoty. Těsnění dveří čistěte pomocí měkkého hadříku navlhčeného ve vodě se saponátem nebo v naředěném čisticím prostředku.
- Vnitřní prostor chladničky je třeba pravidelně čistit, aby se zabránilo zápachu.
- Před čištěním vnitřního prostoru odpojte napájení, vyjměte potraviny, nápoje, police, šuplíky atd.
- Vyčistěte vnitřní prostor pomocí měkkého hadříku nebo houbičky a roztoku dvou polévkových lžic jedlé sody a přibližně jednoho litru teplé vody. Poté opláchněte vodou a otřete. Než připojíte napájení, otevřete po vyčištění dvířka a vnitřek nechte přirozeně uschnout.
- U oblastí, které se v chladničce obtížně čistí (jako jsou mezery nebo rohy), doporučujeme jejich pravidelné otírání měkkým hadříkem, měkkým kartáčem atd. V případě potřeby je zkombinujte s některými pomocnými nástroji (jako jsou tenké tyčinky), aby v těchto oblastech nedocházelo k hromadění kontaminantů nebo bakterií.
- Nepoužívejte saponát, čisticí prostředek, abrazivní prášek, čistič ve spreji atd., protože by mohly ve vnitřním prostoru chladničky způsobit zápach nebo kontaminaci potravin.
- Držák na lahve, police a zásuvky čistěte pomocí měkkého hadříku navlhčeného ve vodě se saponátem nebo v naředěném čisticím prostředku. Vysušte povrch měkkým hadříkem nebo jej nechte přirozeně oschnout.
- Vnější povrch chladničky otřete měkkým hadříkem navlhčeným ve vodě se saponátem, čisticím prostředkem atd. a poté jej osušte dosucha.
- K čištění povrchu a vnitřního prostoru chladničky nepoužívejte tvrdé kartáče, kovové drátěnky, drátěné kartáče, abrazivní látky (například zubní pasty), organická rozpouštědla (například alkohol, aceton, izoamylacetát atd.), vařící vodu, kyseliny ani alkalické látky, které by je mohly poškodit. Horká voda a organická rozpouštědla, jako je benzen, mohou způsobit deformaci nebo poškození plastových dílů.
- Během čištění neoplachujte přímo vodou ani jinými tekutinami, abyste předešli zkratům nebo nepoškodili elektrickou izolaci.

UPOZORNĚNÍ

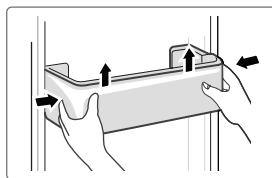
Před odmrazováním a čištěním chladničku odpojte.

Odmrazování

- Chladnička je založena na principu chlazení vzduchem, má proto funkci automatického odmrazování. Námrazu, která se tvoří se změnou ročního období nebo teploty, lze odstranit také ručně odpojením spotřebiče od napájení nebo otřením suchou utěrkou.

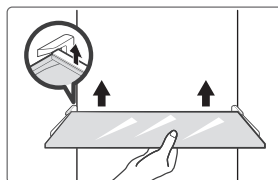
Čištění přihrádky ve dveřích

- Podle směru šipek na níže uvedeném obrázku stiskněte oběma rukama zásuvku, vytlačte ji nahoru a pak ji vyjměte.
- Po omytí přihrádky a jejím vyjmutí můžete nastavit její montážní výšku podle svých požadavků.



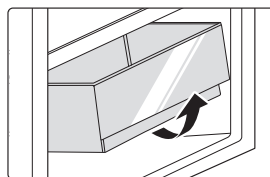
Čištění skleněné police

- V části obložení chladničky nejvíce vzadu, kde má police zarážku, nadzvedněte polici směrem nahoru a poté ji budete moct vytáhnout.
- Podle požadavků police nastavte nebo vyčistěte.



Čištění zásuvky na zeleninu

1. Vyjměte obsah zásuvky. Uchopte madlo zásuvky na zeleninu a zcela jej vytáhněte, dokud se nezastaví.
2. Zvedněte zásuvku na zeleninu nahoru a vytažením ji vyjměte.



Mimo provoz

Výpadek napájení:

Při výpadku napájení, a to dokonce i v létě, lze potraviny uvnitř spotřebiče uchovávat po několik hodin. Během výpadku napájení je nutné snížit četnost otevírání dveří a nevkládat do spotřebiče žádné další čerstvé potraviny.

Dlouhodobé nepoužívání:

Spotřebič je nutné odpojit od napájení a poté vyčistit. Dveře nechte otevřené, abyste zabránili vzniku zápachu.

Přemísťování:

Než budete chladničku přesunovat, vyjměte všechny předměty, upevněte páskou skleněné části, držák na zeleninu, šuplíky mrazicího oddílu atd. Pak utáhněte vyrovnávací nožičky, zavřete dveře a připevněte je pomocí pásky. Během přemísťování se spotřebič nesmí otočit vzhůru nohama ani do horizontální polohy ani nesmí být vystaven vibracím. Naklonění během přesouvání nesmí přesáhnout 45°.

● UPOZORNĚNÍ

Po spuštění by měl být spotřebič v nepřetržitém chodu. Obecně by neměl být provoz spotřebiče přerušován. V opačném případě by mohla být ovlivněna jeho životnost.

ŘEŠENÍ PROBLÉMŮ

Uživatel může vyřešit následující jednoduché problémy. Pokud se problémy nepodaří vyřešit, zavolejte na poprodejní servisní oddělení.

Problém	Možná příčina
Spotřebič nelze uvést do provozu.	• Zkontrolujte, zda je spotřebič připojený k napájení a zda je zástrčka řádně zasunuta.
	• Zkontrolujte, zda není napětí příliš nízké.
	• Zkontrolujte, zda nedošlo k výpadku napájení nebo vynechávání některého okruhu.
Dochází k zápachu.	• Aromatické potraviny je nutné těsně zabalit.
	• Zkontrolujte, zda není nějaká potravina zkažená.
	• Vyčistěte vnitřní prostor chladničky.
Kompresor je spuštěn dlouho.	• Dlouhé spuštění kompresoru je normální v létě, nebo když je okolní teplota příliš vysoká.
	• Nedoporučuje se vkládat do spotřebiče příliš mnoho potravin najednou.
	• Než se potraviny do spotřebiče vloží, je nutné je zchladit.
Světlo nesvíí.	• Neotevírejte dveře příliš často.
	• Zkontrolujte, zda je chladnička připojena k napájení a zda není světlo poškozeno.
	• Nechte žárovku vyměnit specialistou.
Dveře nelze dostatečně zavřít.	• Dveře jsou zaseknuté o balíčky s jídlem.
	• Chladnička je nakloněna.
Jsou slyšet hlasité zvuky.	• Zkontrolujte, zda je podlaha rovná a zda je chladnička umístěna stabilně.
	• Zkontrolujte, zda je veškeré příslušenství na správném místě.

Problém	Možná příčina
Těsnění dveří nepřiléhá.	<ul style="list-style-type: none"> • Sejměte z těsnění dveří cizí nečistoty. • Zahřejte těsnění dveří a poté jej opět zchladte, aby se vrátilo do původního tvaru (například jej vyfoukejte elektrickým vysoušečem nebo k zahřátí použijte horký ručník).
Nádobka na vodu přetéká.	<ul style="list-style-type: none"> • V prostoru pro potraviny je příliš mnoho potravin nebo uložené potraviny obsahují příliš mnoho vody, což vede k silnému odmrazování. • Dveře nejsou řádně zavřeny, což vede k námraze kvůli přívodu vzduchu a většímu množství vody kvůli odmrazování.
Plášť chladničky je horký.	<ul style="list-style-type: none"> • Dochází k odvodu tepla vestavěného kondenzátoru přes kryt, což je normální. Zahřívá-li se kryt v důsledku vysoké okolní teploty a skladování příliš velkého množství potravin nebo se vypne kompresor, zajistěte dobré větrání, aby se usnadnil odvod tepla.
Na povrchu dochází ke kondenzaci.	<ul style="list-style-type: none"> • Kondenzace na vnějším povrchu a těsnění dveří chladničky je normální, když je okolní vlhkost příliš vysoká. Jednoduše kondenzát otřete čistou utěrkou.
Dochází k abnormálnímu hluku.	<ul style="list-style-type: none"> • Bzučení: Kompresor může během provozu bzučet a toto bzučení je hlasité zejména při spouštění a zastavování. Jedná se o normální jev. • Skřípot: Chladivo proudící vnitřkem spotřebiče může produkovat skřípot, což je normální jev.

DODATEK

Speciální poznámka pro novou evropskou normu

Díly k objednání v následující tabulce lze získat od poskytovatele servisu.

Díl k objednání	Kdo jej poskytuje	Minimální doba požadovaná k poskytování
Termostaty	Profesionální specialisté na údržbu	Nejméně 7 let od uvedení posledního modelu na trh
Teplotní senzory	Profesionální specialisté na údržbu	Nejméně 7 let od uvedení posledního modelu na trh
Desky plošných spojů	Profesionální specialisté na údržbu	Nejméně 7 let od uvedení posledního modelu na trh
Žárovky	Profesionální specialisté na údržbu	Nejméně 7 let od uvedení posledního modelu na trh
Madla dveří	Profesionální opraváři a koncoví uživatelé	Nejméně 7 let od uvedení posledního modelu na trh
Závěsy dveří	Profesionální opraváři a koncoví uživatelé	Nejméně 7 let od uvedení posledního modelu na trh
Zásuvky	Profesionální opraváři a koncoví uživatelé	Nejméně 7 let od uvedení posledního modelu na trh
Koše	Profesionální opraváři a koncoví uživatelé	Nejméně 7 let od uvedení posledního modelu na trh
Těsnění dveří	Profesionální opraváři a koncoví uživatelé	Nejméně 10 let od uvedení posledního modelu na trh

Vážení zákazníci,

1. Pokud chcete výrobek vrátit nebo vyměnit, obraťte se na obchod, kde jste jej zakoupili. (Nezapomeňte přinést stvrzenku)
2. Pokud dojde k poruše výrobku a je vyžadována oprava, obraťte se na poskytovatele poprodejních služeb.

UPOZORNĚNÍ

Informace o modelu v databázi výrobků lze stejně jako označení modelu získat prostřednictvím webového odkazu otevřeného naskenováním kódu QR na štítku energetické účinnosti výrobku (nachází-li se tam).

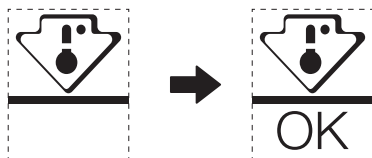
Informace o energetické účinnosti spotřebiče jsou uvedeny na webu <https://ec.europa.eu>, kde je vyhledáte podle názvu modelu.

Název modelu lze nalézt na typovém štítku spotřebiče.

Nejchladnější zóna chladničky

VOLITELNĚ: Indikátor OK-teploty

- Indikátor OK-teploty lze použít k určení teplot pod +4 °C. Pokud není na značce uvedeno „OK“, snižujte postupně teplotu.



- K zajištění teploty tohoto prostoru neměňte umístění police. U chladniček s nuceným oběhem vzduchu (vybavených ventilátorem nebo beznárazových) není symbol nejchladnější zóny uveden, protože teplota uvnitř je homogenní.

Nastavení indikátoru teploty

- Chladnička je vybavena indikátorem teploty, který monitoruje průměrnou teplotu nejchladnější zóny, aby vám to pomohlo chladničku dobře nastavit.
- VÝSTRAHA:** Tento indikátor je určen k fungování pouze s touto chladničkou. Nepoužívejte jej v jiné chladničce (nejchladnější zóny se ve skutečnosti liší) ani k žádnému jinému použití.

Kontrola teploty nejchladnější zóny

- Pomocí indikátoru teploty můžete pravidelně kontrolovat, že je teplota nejchladnější zóny správná. Vnitřní teplota chladničky ve skutečnosti závisí na několika faktorech, jako je okolní teplota v místnosti, množství uložených potravin a frekvence otevírání dveří. Vezměte tyto faktory při nastavování spotřebiče v úvahu.
- Pokud se na indikátoru zobrazuje „OK“, znamená to, že je termostat dobře nastaven a vnitřní teplota je správná.
- Pokud se indikátor teploty změní na BÍLOU barvu, znamená to, že je teplota příliš vysoká. V takovém případě zvyšte nastavení ovládání teploty chladničky a počkejte 12 hodin, než indikátor znovu vizuálně zkontrolujete. Je možné, že indikátor teploty změní dočasně barvu na BÍLOU, když vložíte čerstvé potraviny nebo když dveře zůstanou chvíli otevřené.

PROHLÁŠENÍ O SHODĚ A OSVĚDČENÍ

Prohlášení o shodě

Tímto prohlašujeme, že následující názvy modelů zákazníka a názvy modelů Midea se příslušně navzájem shodují.

Značka	Model Midea	Marketingový model	Tovární model
Midea	HD-403RWENJ	MDRB424FGE01I	CE-BCD310WE-JT
Midea	HD-403RWENJ	MDRB424FGE02I	CE-BCD310WE-JT

CZ

Název výrobce: Guangzhou Midea Hualing Refrigerator Co., Ltd.
Adresa výrobce: No. 5 Xinguangsi Road, Qianfeng Zhujiang, Nansha District, Guangzhou City, Guangdong Province, ČLR

My, společnost Guangzhou Midea Hualing Refrigerator Co., Ltd., tímto prohlašujeme, že výše uvedené výrobky splňují výše uvedené aktuálně platné předpisy a normy.

KÖSZÖNŐLEVÉL

Köszönjük, hogy a Mideát választotta! Az új Midea készüléke használatának megkezdése előtt olvassa el figyelmesen ezt az utasítást, hogy biztosan tudja, a készüléket az adott funkciók és jellemzők mellett hogyan tudja biztonságosan használni.

TARTALOM

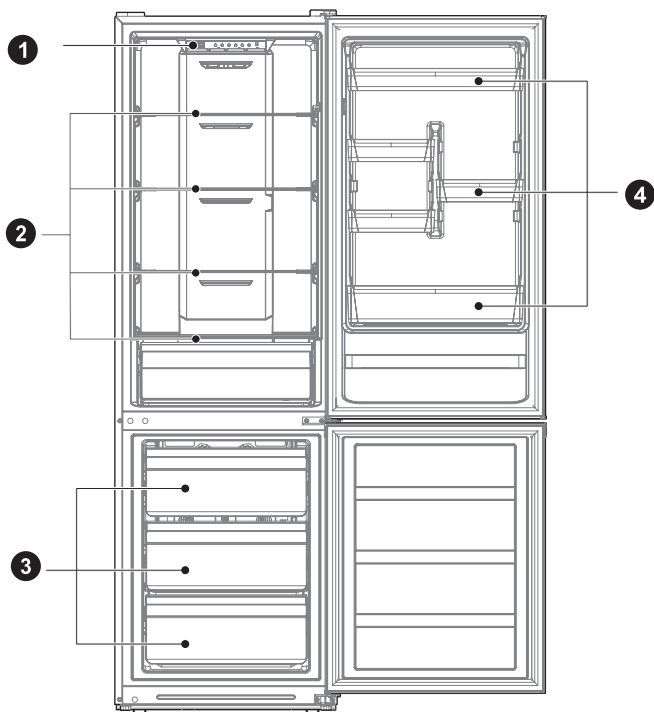
KÖSZÖNŐLEVÉL	01
MŰSZAKI JELLEMZŐK	02
A TERMÉK ÁTTEKINTÉSE	03
A KÉSZÜLÉK ÜZEMBE HELYEZÉSE	04
ÜZEMELTETÉSI UTASÍTÁSOK	11
TISZTÍTÁS ÉS KARBANTARTÁS	15
HIBAELHÁRÍTÁS	17
MELLÉKLET	19
DOKUMENTÁCIÓ ÉS TANÚSÍTVÁNYOK	21

MŰSZAKI JELLEMZŐK

Terméktípus	MDRB424FGE01I MDRB424FGE02I
Frissélelmiszer-rekesz térfogata	224 L
Fagyasztottélelmiszer-rekesz térfogata	86 L
Leolvasztás típusa	Automatikus leolvasztás
Hőmérséklet-emelkedési idő	8 h
Fagyasztási kapacitás	3,9 kg/24h
Névleges feszültség	220–240 V~
Névleges áramerősség	0,8 A
Teljes méret (M x H x Sz)	1880 x 595 x 630 mm

A TERMÉK ÁTTEKINTÉSE

Alkatrész neve



1 Fiók

2 Polc

3 Fiók

4 Ajtórekesz

● FIGYELEM

A fenti kép csak tájékoztató jellegű. A tényleges konfiguráció az adott terméktől vagy a forgalmazó nyilatkozatától függ.

A KÉSZÜLÉK ÜZEMBE HELYEZÉSE

Üzembe helyezési utasítások

Klímaosztállyal rendelkező hűtőgépekhez

- A klímaosztálytól függően ezt a hűtőgépet az alábbi táblázatban meghatározott környezeti hőmérséklet-tartományban kell használni.
- A klímaosztály a típusablán található. Előfordulhat, hogy a készülék nem működik megfelelően a meghatározott tartományon kívül.
- A klímaosztályt a termékcímkén találja.

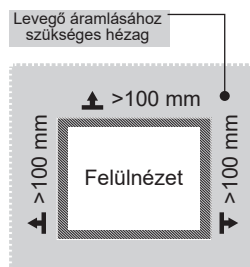
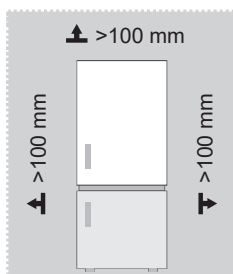
Hatékony hőmérséklet-tartomány

- A készüléket úgy alakították ki, hogy rendeltetésszerűen működjön az osztálybesorolásában meghatározott tartományban.

Osztály	Szimbólum	Környezeti hőmérsékleti tartomány °C	
		IEC 62552 (ISO 15502)	ISO 8561
Kiterjesztett mérsékelt	SN	+10 és +32 között	+10 és +32 között
Mérsékelt	N	+16 és +32 között	+16 és +32 között
Szubtrópusi	ST	+16 és +38 között	+ 18 és + 38 között
Trópusi	T	+16 és +43 között	+ 18 és + 43 között

Méreték és hézagok

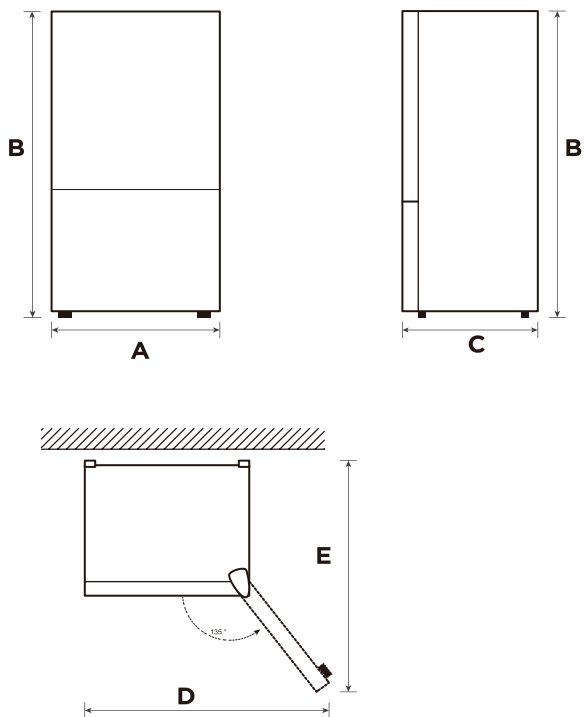
- Ha a készülék túl közel van a környező tárgyakhoz, akkor romolhat a fagyasztási teljesítménye és nőhet az áramfogyasztása. A készülék üzembe helyezésekor hagyjon legalább 100 mm-t a készülék és a körülötte lévő összes falfelület között.



FIGYELEM

A fenti kép csak tájékoztató jellegű. A tényleges konfiguráció az adott terméktől vagy a forgalmazó nyilatkozatától függ.

Ábra a helyigényről (nyitott és csukott ajtó mellett)



HU

Szélesség	Teljes magasság	Mélység	Szélesség 135°-ban nyitott ajtónál	Mélység 135°-ban nyitott ajtónál
A	B	C	D	E
595	1880	630	988	1074

Figyelem! Az összes méret mm-ben van megadva

A jobb és bal oldali ajtó megcserélése (opcionális)

Annak alapján, hogy hol kívánja használni a hűtőszekrényt, praktikusabb lehet megfordítani az ajtó helyzetét.

VIGYÁZAT

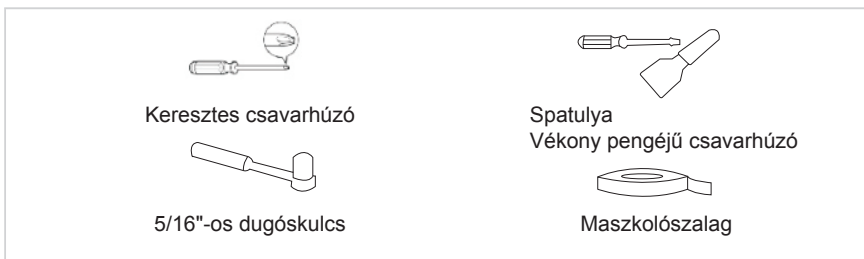
VIGYÁZAT: A személyi sérülés vagy anyagi kár elkerülése érdekében javasoljuk, hogy az ajtó átfordítását két személy végezze.

Az ajtó megfordításának előkészítése

A következőkre lesz szüksége: Egy normál csavarhúzó, egy csillagfejű csavarhúzó és a mellékelt imbuszkulcs.

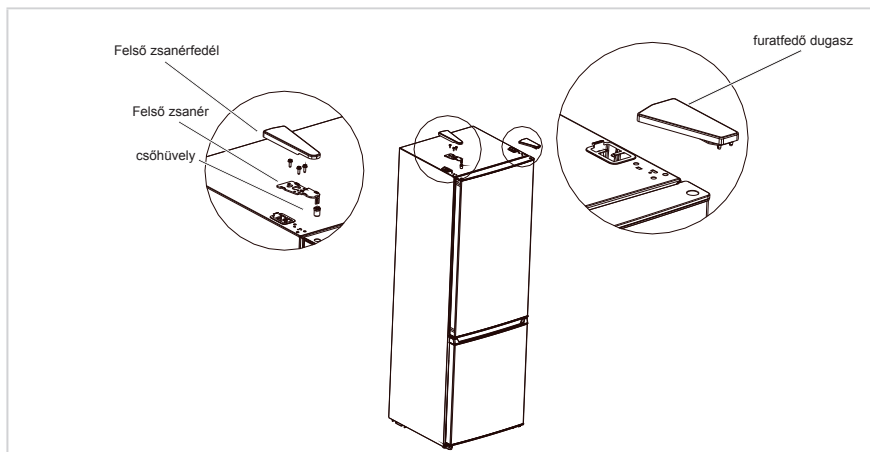
- Ügyeljen rá, hogy a hűtőszekrény ne csatlakozzon az elektromos hálózathoz, és belül üres legyen.
- Kérjen meg valakit, hogy segítse a feladat elvégzésében.
- Az összes eltávolított alkatrészt őrizze meg, hogy fel tudja őket ismét használni.

Az ajtócseréhez szükséges eszközök:

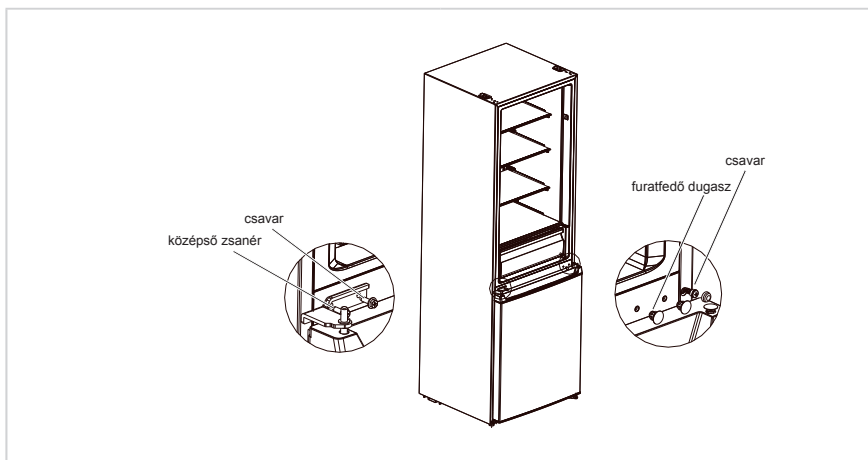


Lépés

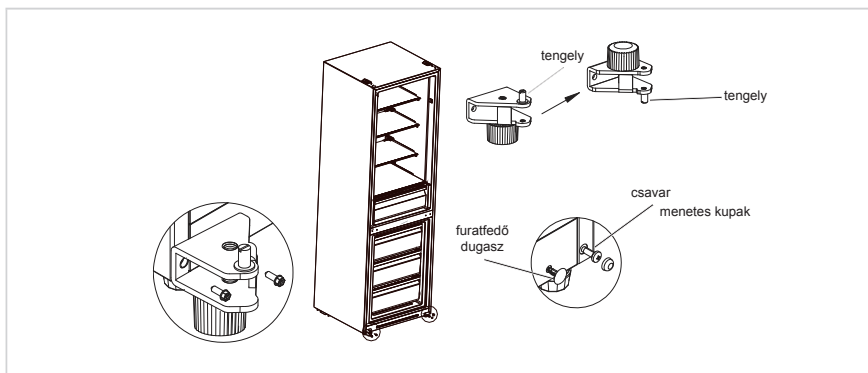
1. Kapcsolja ki a hűtőszekrényt, és távolítson el mindent az ajtótalpáról.
2. Szerelje le a felső zsanér takarófedelét, a felső zsanért és a csavartakaró kupakot a másik oldalán, és emelje le a hűtőajtót.



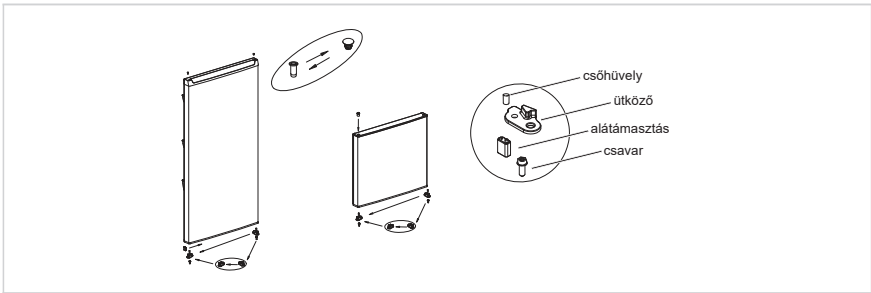
3. Szerelje le a középső zsanért, a csavarokat és a csavartartó kupakokat, majd emelje le a fagyasztó ajtaját.



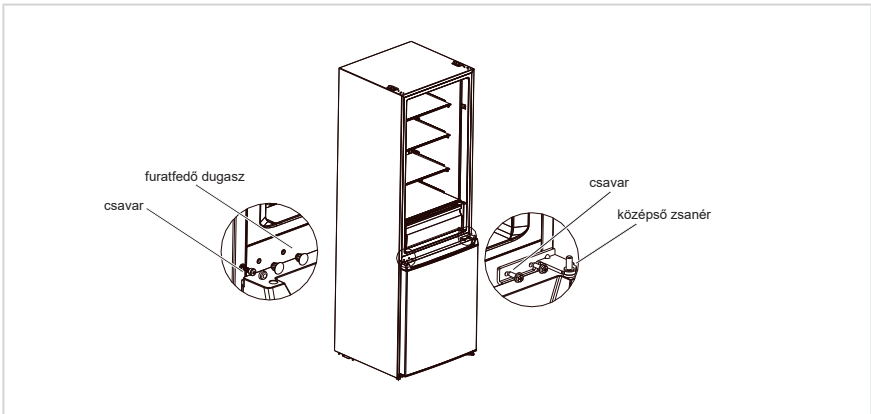
4. Szerelje le az alsó zsanért, a csavartartó kupakokat és csavarokat. Szerelje fel az alsó zsanér tengelyét, és állítsa be a talpat az alsó zsanér másik oldalán, majd szerelje fel a másik oldalra is a zsanért.



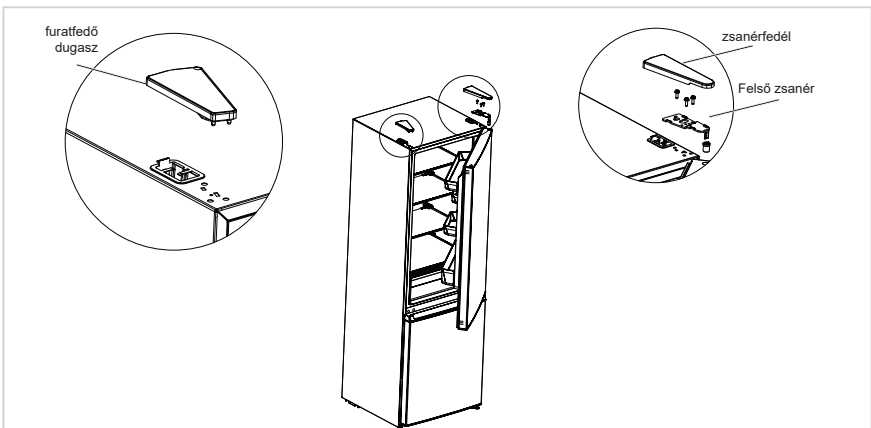
5. Csavarja ki a hűtőszekrény és a fagyasztó ajtajáról a csavart, a csőhüvelyt és a dugót, valamint a hűtőszekrényajtó alsó burkolatán a támasztéket is. Ezt követően fordított sorrendben szerelje őket vissza a másik oldalra. (Vegye ki az alsó dugót a tartozékos tasakból)
6. Cserélje fel a csőhüvely és a csavartakaró kupak helyzetét a hűtőszekrény ajtajának felső fedelén, és szerelje fel a felső zsanérhüvelyt a fagyasztóajtóra a tengelyhüvely másik oldalán lévő lyukba.



7. Tegye a hűtőtér ajtaját a középső zsanérra, majd helyezze fel a felső zsanért és a zsanérfedelelet.



8. Tegye a hűtőszekrény ajtaját a középső zsanérra, szerelje fel a felső zsanért, a zsanérfedőt és a csavartakaró kupakot.



FIGYELEM

A fenti ábra csak tájékoztató jellegű. A tényleges kialakítás az adott terméktől vagy a kereskedőtől függ.

Elhelyezés

- Használat előtt távolítsa el az összes csomagolóanyagot, beleértve az alsó párnákat, a habpárnákat, illetve a hűtőszekrény belsejében található szalagokat; húzza le a védőfóliát az ajtókról és a hűtőszekrény házáról.
- Tartsa távol hőtől, kerülje a közvetlen napfényt. Ne helyezze a fagyasztót nedves vagy vizes helyekre, így megelőzheti a rozsdásodást vagy a szigetelőhatás csökkenését.
- Ne permetezzen folyadékot a hűtőszekrényre, illetve ne mossa le; ne tegye a hűtőszekrényt olyan helyre, ahol könnyen fröccsenhet rá víz, hogy ne befolyásolja a hűtőszekrény elektromos szigetelési tulajdonságait.
- A hűtőszekrényt jól szellőző helyen kell elhelyezni; a padló legyen sík és teherbíró (ha instabil, forgassa el balra vagy jobbra, hogy beállíthassa a szintezőkereket).



Szintezőláb

A rázkódás elkerüléséhez a készüléket szintbe kell állítani.

Szükség esetén a szintezőcsavarok kiegyenlítik az egyenetlen padlót.

A készülék elejének enyhén magasabban kell lennie a hátuljánál, hogy segítse az ajtó becsukódását.

A szintezőcsavarok könnyen forgathatók, ha enyhén megdönti a készülékházat.

Forgassa a szintezőcsavarokat az óramutató járásával ellentétes irányba  a készülék megemeléséhez, vagy az óramutató járásával megegyező irányba  a készülék lejjebb engedéséhez.

A készülék mozgatása

1. Vegye ki az összes élelmiszert a készülékből.
2. Húzza ki a tápcsatlakozót a hálózati aljzatból, majd illessze be és rögzítse a készülék hátoldalán vagy tetején lévő tápcsatlakozótartó hurokba.
3. Ragasztószalaggal rögzítse az elmozdulásra képes alkatrészeket, például a polcokat és az ajtófogantyút, hogy ne essenek ki a készülék mozgatása közben.
4. A készüléket legalább hárman mozgassák. A készüléket nagy távolságra szállításkor tartsák álló helyzetben.
5. A készüléket az ismételt elhelyezése után csatlakoztassa az elektromos hálózathoz, majd kapcsolja be.

FIGYELEM

Óvintézkedések az üzembe helyezés előtt:

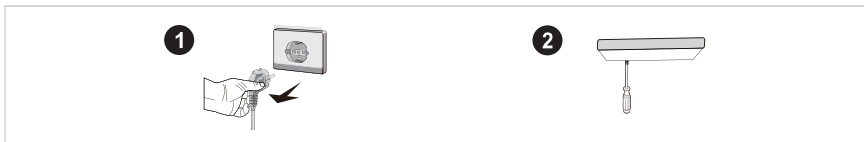
Mielőtt módosításokat végez, a hűtőszekrényt le kell választani az elektromos hálózatról: óvintézkedéseket kell tenni a személyi sérülés megelőzésére.

Izzócsere

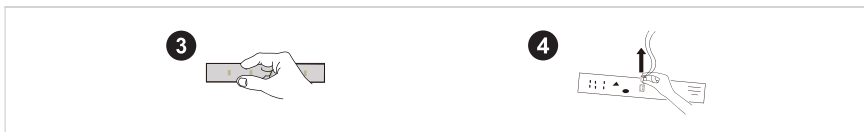
- A LED-lámpák bármilyen cseréjét vagy karbantartását a gyártó, annak szerveze vagy hasonló képesítéssel rendelkező személy végezheti. Ez a termék <F> energiahatékonysági osztályú fényforrást tartalmaz.

Lépés

1. Húzza ki a fali csatlakozót az eltávolítás előtt.
2. Csavarhúzóval távolítsa el a lámpafedelet



3. Vegye le a lámpapanelt.
4. Távolítsa el a csatlakozóterminált.



A készülék csatlakoztatása az elektromos hálózathoz

Az első bekapcsolás előtt a hűtőszekrényt hagyja fél óráig állni, mielőtt a hálózatra csatlakoztatja.

FIGYELEM

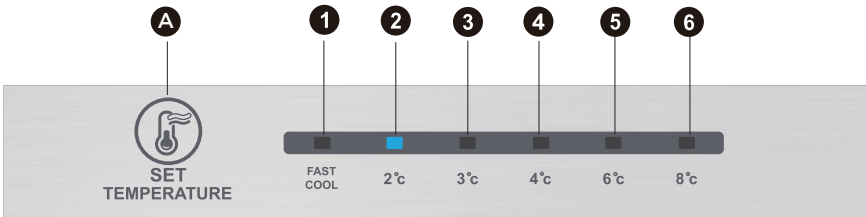
Mielőtt friss vagy fagyasztott ételt helyezne a hűtőszekrénybe, járassa 2-3 órát át, illetve nyáron, amikor a környezeti hőmérséklet magas, 4 óránál is hosszabban.

Energiatakarékosági tippek

- A berendezést a helyiség leghűvösebb részén kell elhelyezni, távol a hőtermelő berendezésektől, a fűtőcsövektől, illetve távol a közvetlen napfénytől.
- Hagyja a forró ételeket szobahőmérsékletűre hűlni, mielőtt azokat a készülékbe helyezi. Ha túl sok élelmiszer van a készülékben, a kompresszor hosszabban üzemel. A túl lassan megfagyó étel minősége csökkenhet vagy megromolhat.
- Az élelmiszereket megfelelően csomagolja be, a tárolóedényeket törölje szárazra, mielőtt a hűtőszekrénybe tenné azokat. Ezzel csökkenthető a berendezésben lerakódó jég mennyisége.
- A tárolórekeszt ne bélelje ki alumíniumfóliával, zsírpapírral vagy papírtörlővel. Ezek akadályozhatják a hideg levegő áramlását, amitől a készülék kevésbé lesz hatékony.
- Rendszeresen és címkézzé fel az ételeket, hogy csökkenthesse az ajtónyitások számát, és a hosszas keresgélést. Minden szükséges dolgot egy ajtónyitással vegyen ki és a lehető leghamarabb csukja be az ajtót.

ÜZEMELTETÉSI UTASÍTÁSOK

Kezelőpanel



FIGYELEM

A fenti kép csak tájékoztató jellegű. A tényleges konfiguráció az adott terméktől vagy a forgalmazó nyilatkozatától függ.

Jelzés

A	Hőmérséklet-beállító gomb
---	---------------------------

Kijelző

1	1. hőmérséklet-beállítás
2	2. hőmérséklet-beállítás
3	3. hőmérséklet-beállítás
4	4. hőmérséklet-beállítás
5	5. hőmérséklet-beállítás
6	6. hőmérséklet-beállítás

Kijelző

Amikor bekapcsolja a hűtőszekrényt, a kijelző (a kulcs fényvel együtt) 3 másodpercig teljes fényerővel világít, majd a hűtőszekrény a 3. hőmérséklet-beállítás szerint kezd működni.

Normál működés megjelenítése

Meghibásodás esetén a kapcsolódó LED fény a hibakóddal kombinálva (váltakozva) jelez;

Ha nincs meghibásodás, a LED a meglévő hőmérséklet-beállítást mutatja.

● FIGYELEM

A tényleges kezelőpanel modellenként eltérő lehet.

Üzemeltetési utasítások

Fokozatbeállítás

- A hőmérséklet-beállítás minden alkalommal változik, amikor megnyomja a SET gombot. A hűtőszekrény 15 másodperc eltelte után az új beállított érték szerint működik tovább.
1. beállítás → 2. beállítás → 3. beállítás → 4. beállítás → 5. beállítás → 6. beállítás → 1. beállítás →

Gyorshűtési mód:

- Belépés: A gyorsűtési mód beállítási lehetőségeinek váltogatása.
- Működtetés: Világítani kezd a gyorsűtési mód jelzőfénye, és a hűtőszekrény 2 °C-on működik.
- A gyorsűtési mód 24 óra után automatikusan letiltásra kerül.
- A gyorsűtési mód szuperfagyasztási funkcióként is használható.

Manuális hőmérséklet-szabályozó gomb állítása

- Ha felfelé tolja a hőmérséklet-szabályozót, a fagyasztóban a hőmérséklet csökkenni fog. Ha lefelé tolja, a fagyasztóban a hőmérséklet emelkedni fog.

FREEZER-TEMP

COLDEST

|

COLDER

|

COLD



Hibakód

- A kijelzőn megjelenő alábbi figyelmeztetések a hűtőszekrény hibáit jelzik. Bár a hűtőszekrény a következő hibák megjelenése esetén továbbra is képes lehet a hűtésre és a fagyasztásra, ilyenkor vegye fel a kapcsolatot egy szakképzett szerelővel, hogy elvégezze a karbantartást, és a hűtőszekrény megfelelően működhessen tovább.

Hibakód	Hibaleírás
Az 1. és a 2. LED világít	Hűtőszekrény hőfokérzékelő áramköre
Az 1. és a 3. LED világít	Fagyasztóleolvasztás érzékelője
Az 1. és a 4. LED világít	Környezeti hőmérséklet érzékelő

FIGYELEM

Megjegyzés: A gyorsfagyasztás funkciót úgy tervezték, hogy megőrizze a fagyasztóban lévő élelmiszerek tápértékét. A legrövidebb idő alatt lefagyaszthatja az élelmiszereket. Ha egyszerre nagy mennyiségű élelmiszert fagyaszt le, ajánlott, hogy a felhasználó kapcsolja be a gyorsfagyasztás funkciót, és ezt követően helyezze be az élelmiszereket. Ekkor a fagyasztórekesz fagyasztási sebessége megnő, így gyorsan lefagyasztja az élelmiszereket, hatékonyan megőrzi a tápértékét és megkönnyíti a tárolást.

Hűtőrekesz

- A hűtőtérben gyümölcsök, zöldségek, italok és egyéb olyan élelmiszerek széles köre tárolható, amelyek rövid időn belül fagyasztásra kerülnek; a javasolt tárolási idő 3-5 nap.
- Főtt ételeket addig ne tegyen a hűtőrekeszbe, amíg szobahőmérsékletűre nem hűltek.
- Mielőtt a hűtőbe helyezi az ételeket, javasoljuk, hogy zárja le őket.
- A megfelelő tárolóhely és a könnyű használhatóság érdekében az üvegpolicok magassága fel-le állítható.

Fagyasztórekesz

- Az alacsony hőmérsékletű fagyasztórekesz hosszú időn keresztül frissen tartja az ételeket, leginkább fagyasztott ételek tárolására és jég készítésére alkalmas.
- A fagyasztórekesz kiválóan alkalmas húсок, halak, rizsgolyók és egyéb olyan ételek fagyasztására, amelyeket nem szeretne rövid időn belül elfogyasztani.
- A nagyobb húсокot célszerű kisebb darabokra vágni, így gyorsabban megfagynak és könnyebben hozzáférhetők. Figyeljen arra, hogy az ételeket a minőségmegőrzési időn belül elfogyassza.

FIGYELEM

Megjegyzés: Ha az első bekapcsolást követően túl sok élelmiszert helyez a hűtőszekrénybe, az hátrányosan befolyásolhatja a berendezés fagyasztási teljesítményét.

Sorszám	Rekeszek TÍPUS	Célzott tárolási hőmérséklet [°C]	Megfelelő ételkészlet
1	Hűtőszekrény	+2 ~ +8	A tojás, a főtt étel, a csomagolt ételkészlet, a gyümölcs és zöldség, a tejtermékek, a sütemények, az italok és egyéb ételkészletek fagyasztásra nem alkalmasak.
2	(***)*- Fagyasztó	≤-18	Tenger gyümölcsei (halak, garnélarák, kagylók), édesvízi termékek és hústermékek (3 hónapig ajánlott, minél hosszabb a tárolási idő, annál rosszabb az íz és a tápérték), alkalmas fagyasztott friss ételkészletekhez.
3	***-Fagyasztó	≤-18	Tenger gyümölcsei (halak, garnélarák, kagylók), édesvízi termékek és hústermékek (3 hónapig ajánlott, minél hosszabb a tárolási idő, annál rosszabb az íz és a tápérték), alkalmas fagyasztott friss ételkészletekhez.
4	** -Fagyasztó	≤-12	Tenger gyümölcsei (halak, garnélarák, kagylók), édesvízi termékek és hústermékek (3 hónapig ajánlott, minél hosszabb a tárolási idő, annál rosszabb az íz és a tápérték), alkalmas fagyasztott friss ételkészletekhez.
5	*-Fagyasztó	≤-6	Tenger gyümölcsei (halak, garnélarák, kagylók), édesvízi termékek és hústermékek (3 hónapig ajánlott, minél hosszabb a tárolási idő, annál rosszabb az íz és a tápérték), alkalmas fagyasztott friss ételkészletekhez.
6	0-csillag	-6 ~ 0	Friss sertéshús, marhahús, hal, csirke, egyes csomagolt feldolgozott ételkészletek stb. (Ajánlott aznap elfogyasztani, és lehetőleg 3 napnál nem később). Részben lezárt feldolgozott ételkészletek (nem fagyasztható ételkészletek).
7	Fagyrekeszek	-2 ~ +3	Friss/fagyasztott sertéshús, marhahús, csirke, édesvízi és akváriumban nevelt termékek stb. (0 °C alatt 7 napon belül fogyasztandó, 0 °C felett ugyanazon a napon, de legfeljebb 2 napon belül fogyasztandó). Tenger gyümölcsei (0 °C alatt 15 napig állnak el, 0 °C feletti tárolásuk nem ajánlott).
8	Frissentartó	0 ~ +4	Friss sertéshús, marhahús, hal, csirke, főtt étel stb. (Ajánlott aznap elfogyasztani, lehetőleg 3 napnál nem később)
9	Bor	+5 ~ +20	Vörösbor, fehérbor, pezsgő stb.

FIGYELEM

A különféle ételkészleteket a nekik megfelelő rekeszekben vagy tárolási hőmérsékleten tárolja.

TISZTÍTÁS ÉS KARBANTARTÁS

Általános tisztítás

- A hűtőszekrény mögött, illetve a padlón összegyűlő port rendszeresen el kell távolítani, hogy a hűtési hatékonyság, illetve az energiamegtakarítás növelhető legyen.
- Rendszeresen ellenőrizze, hogy az ajtó tömítéseken ne legyen szennyeződés. Az ajtó tömítéseket szappanos vízben vagy hígított mosószerben megnedvesített puha ruhával törölje át.
- A hűtőszekrény belsejét rendszeresen tisztítani kell, hogy elkerülje a kellemetlen szagokat.
- A tisztítás megkezdése előtt húzza ki a gépet a dugaljából, távolítsa el az összes étel, italt, polcot, fiókot, stb.
- Puha ruhával vagy szivaccsal tisztítsa meg a hűtőszekrény belsejét; ehhez használja két evőkanál szódadikarbóna és egy liter meleg víz keverékét. Majd öblítse ki vízzel és törölje tisztára. A tisztítást követően nyissa ki az ajtót és a bekapcsolás előtt hagyja természetes módon megszáradni.
- Javasoljuk, hogy a hűtő nehezen takarítható részeit (szűk helyek, hézagok, sarkok) puha ronggyal vagy puha kefével tisztítsa meg, ha szükséges, használjon segédeszközöket (pl. vékony pálcikák), hogy ezeken a területeken ne halmozódjon fel a szennyeződés vagy baktérium.
- Ne használjon szappant, mosószert, súrolószert, spray tisztítószert stb., mivel ezek szagokat okozhatnak a hűtő belsejében vagy szennyezhetik az ételt.
- A palacktartókat, polcokat és fiókokat szappanos vízben vagy hígított mosószerben megnedvesített puha ruhával törölje át. Egy ronggyal törölje szárazra vagy hagyja természetes módon megszáradni.
- Szappanos vízzel vagy mosószerral megnedvesített ruhával törölje le a hűtőszekrény külső részét, majd törölje szárazra.
- Ne használjon kemény keféket, acél súrolót, súrolószereket (pl. fogkrémet), organikus oldószereket (pl. alkoholt, acetont, banánolajat, stb.), forró vizet, savas vagy lúgos szereket, amelyek károsíthatják a hűtőszekrény felületét, belsejét. A forró víztől és az olyan szerves oldószerektől, mint a benzol, a műanyag alkatrészek eldeformálódhatnak.
- Az öblítéshez ne használjon közvetlenül vizet vagy egyéb folyadékokat, hogy elkerülje a rövidzárlatot, illetve hogy az elektromos szigetelés ne károsodjon a vízbehatástól.

FIGYELEM

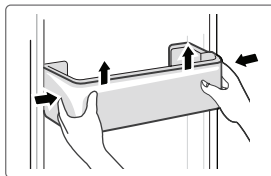
A leolvasztáshoz és tisztításhoz kérjük, húzza ki az hűtőszekrényt a dugaljából.

Leolvasztás

- A hűtőszekrény a léghűtés elve alapján készült, így automatikus leolvasztási funkcióval rendelkezik. Az évszakok vagy a hőmérséklet változása miatt kialakult jeget manuálisan is el lehet távolítani, ha a berendezést leválasztja az elektromos hálózatról, illetve egy papírtörlővel vagy száraz törölközővel le lehet törölni.

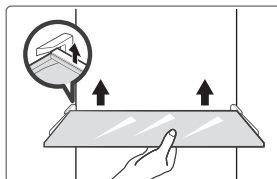
Ajtótálca tisztítása

- Az alábbi ábrán látható nyílnak megfelelően két kézzel fogja meg a tálcát és nyomja felfelé, majd vegye ki a helyéről.
- Miután a kivett tálcát elmosta, a beszerelési magasságát az igényeinek megfelelően állíthatja be.



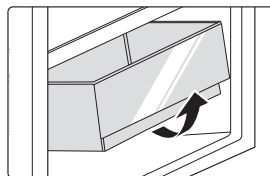
Üvegpolc tisztítása

- A hűtő belsejében, ahol a polc és a hűtő hátulja találkozik, egy kis mélyedés található; emelje meg a polcot felfelé, hogy kivehesse a helyéről.
- Igényei szerint állítsa be vagy tisztítsa meg a polcokat.



Zöldséges fiók tisztítása

1. Vegyen ki mindent a fiókból. Fogja meg a fiók markolatát, és húzza ki teljesen, ütközésig.
2. Emelje meg a zöldséges fiókot, és húzza ki az eltávolításához.



HU

Üzemen kívüli állapot

Áramkimaradás:

Áramkimaradás esetén, akár még nyáron is, az ételek több órán át tarthatók a készülékben; áramkimaradás esetén csökkenteni kell az ajtónyitások számát, nem szabad friss ételt a hűtőbe tenni.

Tartós használaton kívüli helyzet:

A készüléket ki kell húzni a dugaljából, ki kell tisztítani; majd az ajtókat nyitva kell hagyni, hogy ne legyen kellemetlen szag a hűtőben.

Mozgatás:

A hűtő mozgatása előtt távolítsa minden tárgyat a készülékből, ragasztószalaggal rögzítse az üveg elválasztókat, a zöldségtartót, a fagyasztórekeszeket stb., húzza meg a szintezőlabát; zárja be az ajtókat és rögzítse ragasztószalaggal. Mozgatás során a berendezést tilos fejtetőre vagy vízszintes pozícióba állítani, tilos rezgésnek kitenni; mozgatás során a megdőnés szöge nem lehet 45°-nál nagyobb.

FIGYELEM

Az indítást követően a berendezést folyamatosan kell üzemeltetni. Általánosságban elmondható, hogy a berendezés működésének megszakítása csökkenti a berendezés élettartamát.

HIBAELHÁRÍTÁS

A következő egyszerű problémákat a felhasználó is kezelni tudja. Kérjük, hívja a szervizünket, ha valamilyen problémát nem sikerül elhárítani.

Probléma	Lehetséges ok
Berendezés nem működik	• Ellenőrizze, hogy a berendezés csatlakoztatva van-e az elektromos hálózathoz, vagy hogy a dugvilla megfelelően érintkezik.
	• Ellenőrizze, hogy a feszültség nem túl alacsony-e.
	• Ellenőrizze, hogy nincs-e áramkimaradás, vagy az egyes áramkörök megszakítói nem oldottak le.
Szag	• Az erős szagú ételeket szorosan be kell csomagolni.
	• Ellenőrizze, hogy nincs-e rohadt étel a hűtőben.
	• Tisztítsa ki a hűtőszekrény belsejét
A kompresszor hosszú idejű működése	• Normális, ha a hűtő nyáron vagy magas környezeti hőmérséklet esetén hosszú ideig működik.
	• Ilyenkor javasolt kevesebb ételt helyezni a hűtőbe.
	• Mielőtt a készülékbe helyezné, hűtse le az ételt.
	• Az ajtókat túl gyakran nyitják
A lámpa nem világít.	• Ellenőrizze, hogy a hűtőszekrény csatlakoztatva van-e az elektromos hálózathoz, illetve a lámpa nem sérült-e.
	• Szakemberrel cseréltesse ki a lámpát
Az ajtók nem záródnak megfelelően	• Az ajtó valamelyik élelmiszerben elakad
	• A hűtő meg van döntve.
Hangos a készülék	• Ellenőrizze, hogy a padló vízszintes-e, illetve a hűtőberendezés stabilan áll-e.
	• Ellenőrizze, hogy a kiegészítők a megfelelő helyre vannak-e behelyezve.

Probléma	Lehetséges ok
Az ajtó tömítései nem szigetelnek megfelelően	<ul style="list-style-type: none"> • Távolítsa el az idegen anyagokat az ajtó tömítéseiről. • Melegítse fel az ajtó tömítéseket, majd a helyreállításhoz hűtse le őket (vagy hőlégfúvóval vagy meleg törülközővel melegítse fel).
A vízgyűjtő tálca túlcserdul	<ul style="list-style-type: none"> • Túl sok élelmiszer van a rekeszben vagy a tárolt élelmiszer túl sok vizet tartalmaz, ami a hűtő leolvadásához vezet. • Az ajtók nincsenek megfelelően becsukva, ami a bejutó levegő miatt jegesedéshez, leolvadás miatt túl sok vízhez vezet.
Meleg a burkolat	<ul style="list-style-type: none"> • A beépített kondenzátor burkolata felmelegedhet, ami normális jelenség. Ha a magas környezeti hőmérséklet, a túl sok tárolt élelmiszer vagy a kompresszor leállása miatt a burkolat túl forróvá válik, gondoskodjon megfelelő szellőzésről a hő eloszlásának elősegítésével.
Felületi páralecsapódás	<ul style="list-style-type: none"> • A hűtőszekrény külső felületén és az ajtó tömítéseken jelentkező páralecsapódás normális jelenség, ha a környezeti páratartalom túl magas. Törölje le a páralecsapódást egy tiszta törülközővel.
Rendellenes zaj	<ul style="list-style-type: none"> • Zúgás: Működés közben a kompresszorból zúgás hallható, és ez a zúgás indításkor vagy leállításkor különösen hangos. Ez normális. • Nyikorgás: A berendezésben áramló hűtőközeg nyikorgó hangot adhat, ami normális.

MELLÉKLET

Kimondottan az új európai szabványnak megfelelően

Az alábbi táblázatban lévő megrendelt alkatrészek a szolgáltatói csatornától szerezhetők be

Megrendelt alkatrész	Beszállító	Rendelkezésre bocsátáshoz szükséges minimális idő
Termosztátok	Professzionális karbantartó személyzet	Legalább 7 év azt követően, hogy az utolsó modell a piacra került
Hőmérséklet-érzékelők	Professzionális karbantartó személyzet	Legalább 7 év azt követően, hogy az utolsó modell a piacra került
Nyomatott áramköri lapkák	Professzionális karbantartó személyzet	Legalább 7 év azt követően, hogy az utolsó modell a piacra került
Fényforrások	Professzionális karbantartó személyzet	Legalább 7 év azt követően, hogy az utolsó modell a piacra került
Ajtófogantyúk	Professzionális szerelők és végfelhasználók	Legalább 7 év azt követően, hogy az utolsó modell a piacra került
Ajtózsanérok	Professzionális szerelők és végfelhasználók	Legalább 7 év azt követően, hogy az utolsó modell a piacra került
Tálcák	Professzionális szerelők és végfelhasználók	Legalább 7 év azt követően, hogy az utolsó modell a piacra került
Kosarak	Professzionális szerelők és végfelhasználók	Legalább 7 év azt követően, hogy az utolsó modell a piacra került
Ajtótömítések	Professzionális szerelők és végfelhasználók	Legalább 10 év azt követően, hogy az utolsó modell a piacra került

Kedves vásárló!

1. Ha a terméket szeretné visszaküldeni vagy kicserélni, vegye fel a kapcsolatot az értékesítővel.

(Ne felejtse el elhozni a vásárláskor kapott számlát)

2. Ha a termék elromlott és javításra van szükség, vegye fel a kapcsolatot a szervizrészleggel.

FIGYELEM

A termékadatbázisban található modellinformációkat, valamint a modellazonosító a termék energiahatékonysági címkéjén levő QR-kód (ha van) beolvasásával megnyíló webes hivatkozáson keresztül lehet elérni.

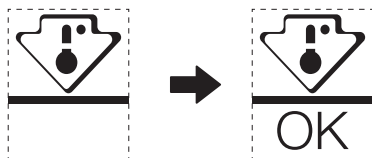
A készülék energiahatékonyságáról további tájékoztatást a <https://ec.europa.eu> webhelyen talál, a típusnévre rákeresve.

A típusnév a készülék adattábláján található.

A hűtőszekrény leghidegebb zónája

OPCIONÁLIS: OK-hőmérsékletjelzés

- Az OK-hőmérsékletjelzéssel a +4 °C alatti hőmérsékletek határozhatók meg. Fokozatosan csökken a hőmérséklet, amíg az „OK” jelzést nem látja.



- A terület hőmérsékletének garantálása érdekében, ne változtasson a polc elhelyezkedésén. A kényszerlevegős hűtőszekrények esetében (ventillátorral rendelkező vagy önleolvasztós modellek) nincs feltüntetve a leghidegebb zóna szimbólum, mert a belső hőmérséklet homogén.

Hőmérsékletjelző beállítása

- Azért, hogy segítsen Önnek a megfelelő beállításban, a hűtőszekrényt hőmérsékletjelzővel látták el, ami figyelmeztet a leghidegebb zóna átlagos hőmérsékletét.
- FIGYELEM: Ezt a jelzőt az ön hűtőszekrényével való együttműködésre tervezték, ne használja másik hűtőszekrényben (mert a leghidegebb zóna nem ugyanolyan), vagy más felhasználási célal.

A leghidegebb zóna hőmérsékletének ellenőrzése

- A hőmérsékletjelzővel rendszeresen tudja ellenőrizni, hogy a leghidegebb zóna hőmérséklete megfelelő-e. Valójában a hűtőszekrény belső hőmérséklete számos olyan tényezőtől függ, mint a helyiség környezeti hőmérséklete, a benne tárolt étel mennyisége és az ajtónyitás gyakorisága. A készülék beállításakor vegye figyelembe ezeket a tényezőket.
- Amikor a jelző «OK»-t mutat, az azt jelenti, hogy a termosztátot jól állították be, és a belső hőmérséklet megfelelő.
- Ha a hőmérsékletjelző FEHÉRRE vált, az azt jelenti, hogy a hőmérséklet túl magas; ebben az esetben növelje a hűtőszekrény hőmérsékletszabályozó beállítását, és várjon 12 órát, mielőtt újra szemrevételezéssel ellenőrizné a jelzőt. Ha friss élelmiszert helyeztek be, vagy az ajtót nyitva hagyták, előfordulhat, hogy a hőmérsékletjelző egy idő után FEHÉRRE vált.

DOKUMENTÁCIÓ ÉS TANÚSÍTVÁNYOK

Megfelelőségi nyilatkozat

Ezennel kijelentjük, hogy a következő vásárlói modellnevek és Midea típusnevek megfelelnek egymásnak.

Márka	Midea típus	Marketing típus	Gyári típus
Midea	HD-403RWENJ	MDRB424FGE01I	CE-BCD310WE-JT
Midea	HD-403RWENJ	MDRB424FGE02I	CE-BCD310WE-JT

HU

Gyártó neve: Guangzhou Midea Hualing Refrigerator Co., Ltd.
Gyártó címe: No. 5 Xinguangsi Road, Qianfeng Zhujiang, Nansha kerület, Guangzhou város,Guangdong tartomány, Kínai Népköztársaság

Mi, a Guangzhou Midea Hualing Refrigerator Co., Ltd. ezennel kijelentjük, hogy a fent említett termékek megfelelnek a fent említett, jelenleg érvényes előírásoknak és szabványoknak.

ĎAKOVNÝ LIST

Ďakujeme vám, že ste si vybrali značku Midea! Skôr, než budete svoj produkt značky Midea používať, dôkladne si tento návod prečítajte, aby ste mali istotu, ako bezpečným spôsobom používať vlastnosti a funkcie vášho nového spotrebiča.

OBSAH

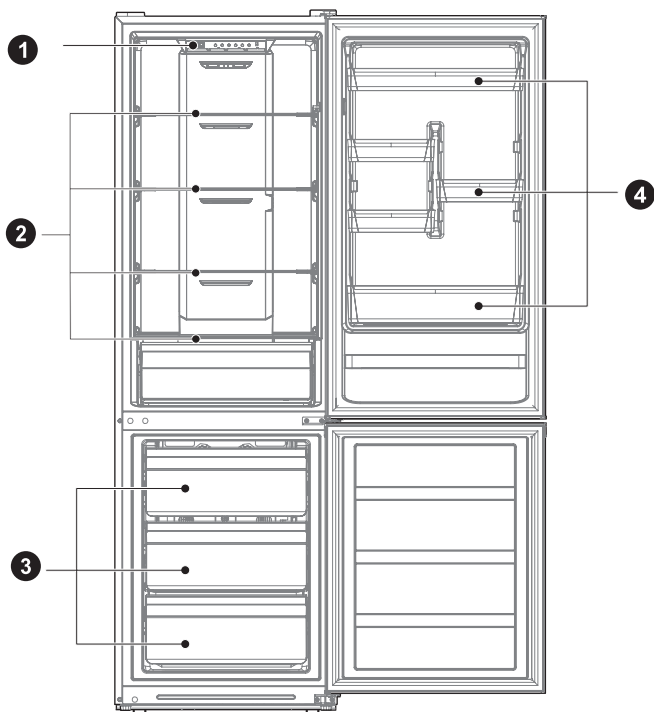
ĎAKOVNÝ LIST	01
ŠPECIFIKÁCIE	02
PREHĽAD YÝROBKU	03
INŠTALÁCIA PRODUKTU	04
POKYNY NA POUŽÍVANIE	11
ČISTENIE A ÚDRŽBA	15
ODSTRAŇOVANIE PROBLÉMOV	17
PRÍLOHA	19
DOKUMENTÁCIA A CERTIFIKÁTY	21

ŠPECIFIKÁCIE

Produktový model	MDRB424FGE01I MDRB424FGE02I
Objem priestoru na uloženie čerstvých potravín	224 L
Objem priestoru na uloženie mrazených potravín	86 L
Typ rozmrazovania	Automatické rozmrazovanie
Čas zvýšenia teploty	8 h
Mraziaci výkon	3,9 kg/24h
Menovité napätie	220 – 240 V~
Menovitý prúd	0,8 A
Celkové rozmery (V x Š x H)	1880 x 595 x 630 mm

PREHL'AD Y'ROBKU

Názvy dielov



1 Zásuvka

2 Polica

3 Zásuvka

4 Dverná zásuvka

UPOZORNENIE

Hore znázornený obrázok je len ilustračný. Skutočná konfigurácia závisí od reálneho výrobku alebo vyhlásenia distribútora.

SK

INŠTALÁCIA PRODUKTU

Pokyny na inštaláciu

Pre chladiace zariadenia s klimatickou triedou

- V závislosti od klimatickej triedy je toto chladiace zariadenie určené na použitie pri teplote okolia uvedenej v nasledujúcej tabuľke.
- Klimatická trieda je uvedená na typovom štítku. Výrobok nemusí správne fungovať pri teplotách mimo uvedeného rozsahu.
- Klimatická trieda je uvedená na produktovom štítku.

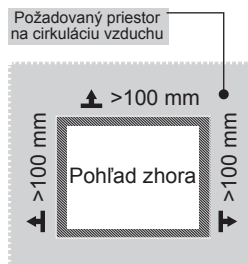
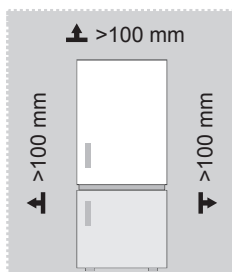
Efektívny rozsah teploty

- Výrobok je určený na bežnú prevádzku pri rozsahu teplôt podľa príslušnej klasifikačnej triedy.

Trieda	Symbol	Rozsah okolitej teploty v °C	
		IEC 62552 (ISO 15502)	ISO 8561
Rozšírená teplota	SN	+10 až +32	+10 až +32
Teplota	N	+16 až +32	+16 až +32
Subtrópy	ST	+16 až +38	+18 až +38
Trópy	T	+16 až +43	+18 až +43

Rozmery a odstupy

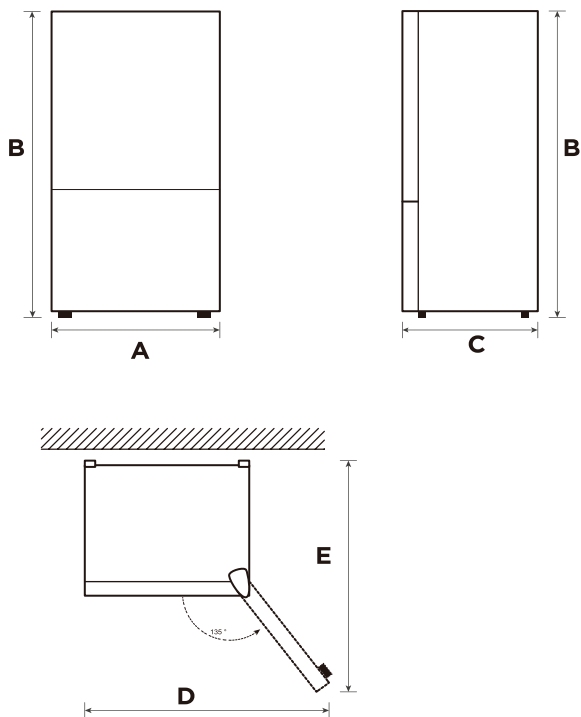
- Dôsledkom príliš malej vzdialenosti od susedných predmetov by mohlo byť zníženie mraziacej výkonnosti a zvýšenie nákladov za elektrinu. Pri inštalácii spotrebiča nechajte vzdialenosť viac ako 100 mm od každej susednej steny.



UPOZORNENIE

Hore znázornený obrázok je len ilustračný. Skutočná konfigurácia závisí od reálneho výrobku alebo vyhlásenia distribútora.

Schéma priestorových nárokov (keď sú dvere otvorené a keď sú dvere zatvorené)



SK

Šírka	Celková výška	Hĺbka	Šírka s dverami otvorenými na 135°	Hĺbka s dverami otvorenými na 135°
A	B	C	D	E
595	1880	630	988	1074

Upozornenie: Všetky rozmery sú v mm

Výmena otvárania dvierok sprava doľava (voliteľné)

Podľa toho, na akom mieste plánujete používať svoju chladničku, môže byť pre vás pohodlnejšie, keď sa otváranie dvierok otočí.

VAROVANIE

VAROVANIE: Aby ste predišli zraneniu alebo poškodeniu svojho majetku, odporúčame, aby vám niekto pri otáčaní otvárania dverí pomáhal.

Príprava na otočenie polohy dvierok

Budete potrebovať: Plochý skrutkovač, skrutkovač Phillips (krížový) a priložený maticový kľúč Allen.

- Skontrolujte, či je chladnička odpojená od napájania a prázdna.
- Zavolajte si niekoho, kto vám bude pri práci pomáhať.
- Odložte si všetky diely, ktoré demontujete, aby ste ich neskôr mohli použiť.

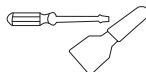
Nástroje potrebné na výmenu dvierok:



Krížový skrutkovač



5/16" zásuvka a račňa



Nôž na tmel
Skrutkovač s tenkou hlavou

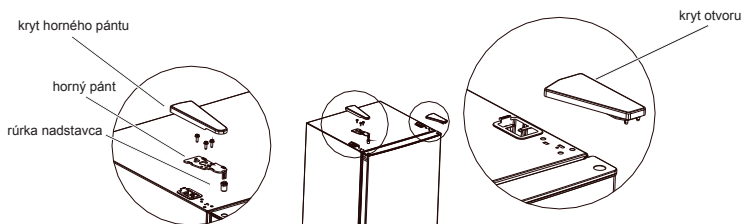


Maskovacia páska

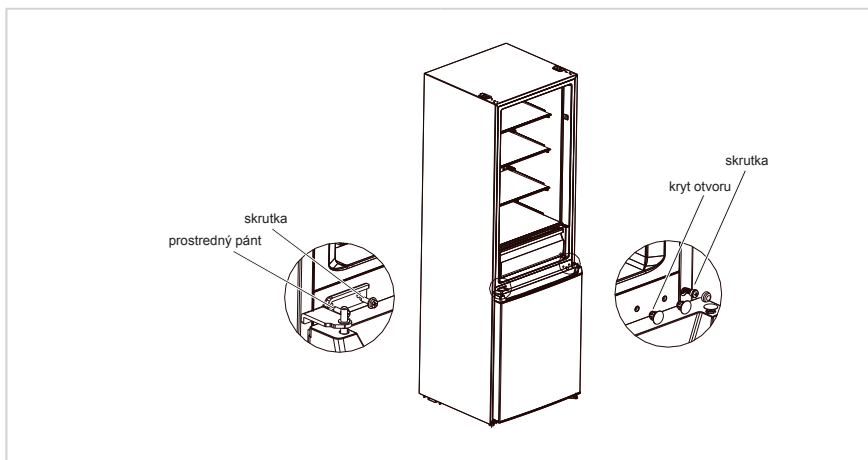
SK

Krok

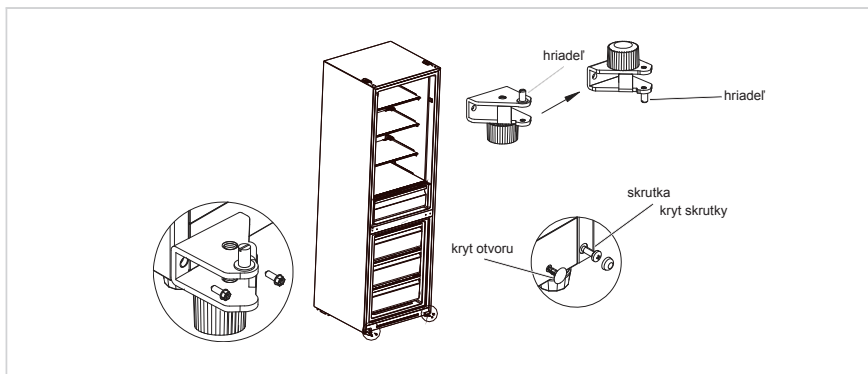
1. Vypnite chladničku a vytiahnite všetky veci zo zásobníkov na dverách.
2. Rozoberte kryt horného pántu, horný pánt a kryt otvoru na opačnej strane a odoberte dvierka chladničky.



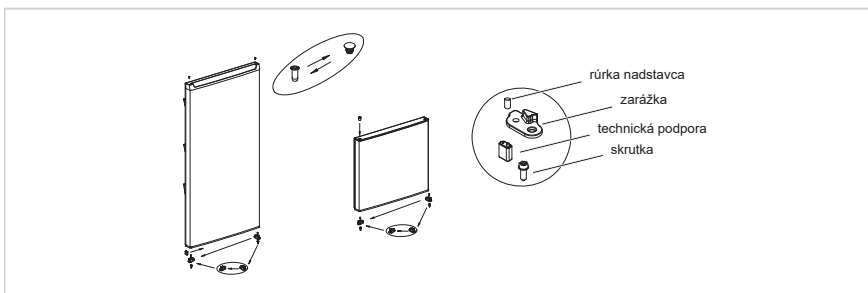
3. Rozoberte prostredný pánt, príslušné skrutky, kryty otvorov skrutiek a odoberte dvierka mrazničky.



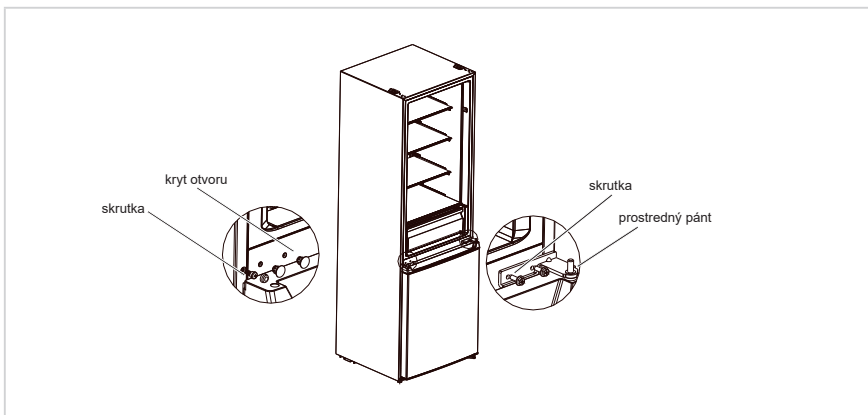
4. Demontujte dolný pánt, kryty otvorov a skrutky. Do dolného pántu na opačnej strane vložte čap dolného pántu a nastavte ho, potom na opačnú stranu namontujte pánt.



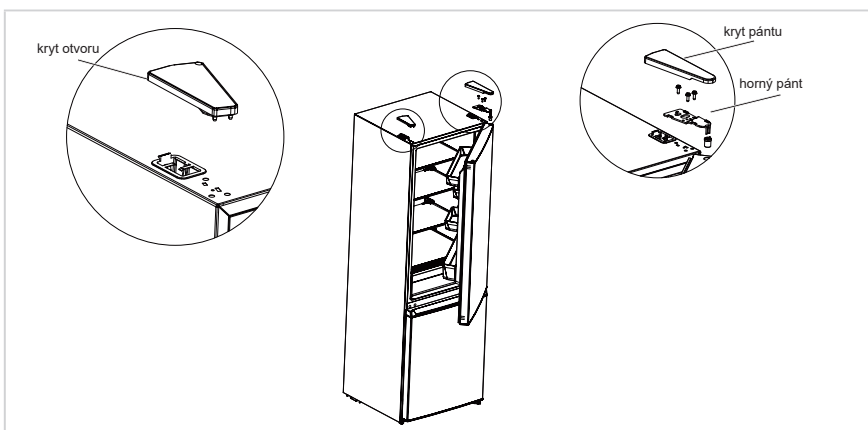
5. Demontujte z dvierok chladničky a mrazničky skrutku, rúrku nastavca a zarážku a demontujte aj držiak na dolnom kryte dvierok chladničky. Potom ich namontujte na opačnú stranu dvierok v poradí podľa demontáže. (Vyberte dolnú zarážku z balíka s príslušenstvom.)
6. Vymeňte polohu rúrky nastavca a krytu otvoru v hornom kryte dvierok chladničky a nainštalujte nastavtec horného pántu na dvierka mrazničky do otvoru na opačnej strane osi nastavca.



7. Nasadíte dverka chladiacej komory na prostredný pánt a namontujete horný pánt s krytom pántu.



8. Umiestnite dverka chladničky na prostredný pánt, nainštalujte horný pánt, kryt pántu a kryt otvoru.



● UPOZORNENIE

Hore znázornený obrázok je len ilustračný. Skutočná konfigurácia závisí od reálneho výrobku alebo vyhlásenia distribútora.

Umiestnenie

- Pred použitím odstráňte z chladničky všetok obalový materiál vrátane spodných vankúšov, penových podložiek a pásov. Odtrhnite ochrannú fóliu na dverách a tele chladničky.
- Držte mimo dosahu tepla a priameho slnečného svetla. Neumiestňujte mrazničku na vlhké ani vodnaté miesta, aby ste zabránili hrdzaveniu alebo zníženiu izolačného účinku.
- Nestriekajte a neoplachujte chladničku; nedávajte chladničku na vlhké miesta, ktoré môžu byť ľahko postriekané vodou, aby nedošlo k ovplyvneniu elektrických izolačných vlastností chladničky.
- Chladnička je umiestnená na dobre vetranom interiérovom mieste; Podklad musí byť rovný a pevný (otočením doľava alebo doprava nastavte vyrovnávacie koliesko, ak je nestabilné).



Vyrovnávacia noha

Prístroj sa musí vyrovnáť, aby nedochádzalo k vibráciám.

Podľa potreby nastavte vyrovnávacie skrutky tak, aby kompenzovali nerovnosti podlahy.

Predná strana by mala byť o niečo vyššie ako zadná, aby sa uľahčilo zatváranie dvierok.

Vyrovnávacie skrutky sa dajú ľahko otáčať po miernom naklonení skrine.

Otáčaním vyrovnávacích skrutiek proti smeru hodinových ručičiek  sa prístroj zdvihne, v smere hodinových ručičiek  sa spustí.

Premiestňovanie spotrebiča

1. Vyberte všetky potraviny zvnútra spotrebiča.
2. Vytiahnite zástrčku napájania zo zásuvky, zaveste ju na určený háčik na zadnej alebo hornej strane spotrebiča a upevnite ju.
3. Pohyblivé diely ako poličky a rukoväti dvierok upevnite páskou, aby pri premiestňovaní nevypadli.
4. Spotrebič premiestňujte opatrne a využite pomoc aspoň dvoch osôb. Keď prepravujete spotrebič na väčšiu vzdialenosť, udržiajte ho v zvislej polohe.
5. Po umiestnení spotrebiča zasuňte zástrčku napájania do zásuvky, aby ste mohli spotrebič zapnúť.

UPOZORNENIE

Preventívne opatrenia pred použitím:

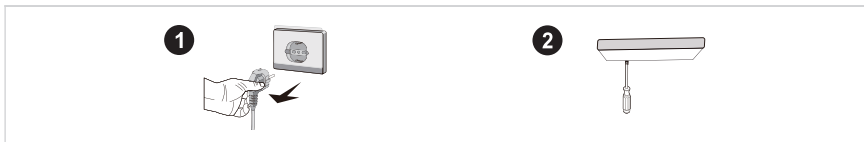
Pred vykonávaním zmien sa chladnička musí odpojiť od napájania a musí sa dbať na preventívne opatrenia, aby nedošlo k zraneniu osôb.

Výmena svetla

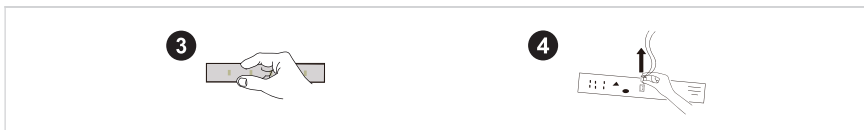
- Všetky výmeny alebo údržbu LED svetiel musí robiť výrobca, jeho servisný zástupca alebo podobne kvalifikovaná osoba. Tento výrobok obsahuje svetelný zdroj s energetickou triedou účinnosti <F>.

Krok

1. Pred odstránením vytiahnite zástrčku.
2. Odstráňte tienidlo pomocou skrutkovača



3. Dajte dolu panel žiarovky.
4. Odstráňte pripojovaciu svorku.



SK

Pripojenie spotrebiča

Pred prvým spustením nechajte chladničku stáť pol hodiny, až potom ju zapojte do elektrickej zásuvky.

UPOZORNENIE

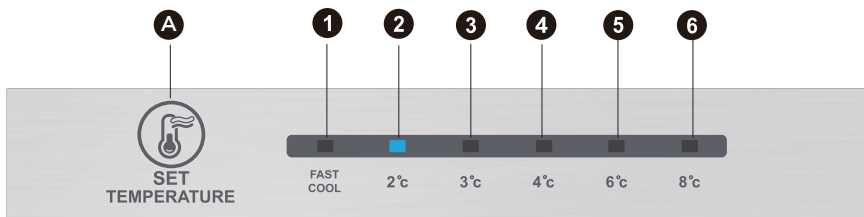
Pred vložením akýchkoľvek čerstvých alebo mrazených potravín musí byť chladnička v prevádzke 2 až 3 hodiny alebo v lete viac ako 4 hodiny (keď je okolitá teplota vysoká).

Rady na úsporu energie

- Spotrebič by mal byť umiestnený na najchladnejšom mieste miestnosti, mimo dosah zariadení produkujúcich teplo alebo vykurovacích potrubí a mimo priameho slnečného žiarenia.
- Pred vložením do spotrebiča nechajte teplé jedlá vychladnúť na izbovú teplotu. Preťaženie spotrebiča núti kompresor pracovať dlhšie. Potraviny, ktoré mrazia príliš pomaly, môžu stratiť kvalitu alebo sa pokaziť.
- Nezabudnite potraviny správne zabaliť a nádoby pred vložením do spotrebiča utrieť do sucha. Toto obmedzuje tvorbu námrazy vo vnútri spotrebiča.
- Úložný box spotrebiča nemá byť obložený hliníkovou fóliou, voskovým papierom ani papierovými utierkami. Vložky narúšajú cirkuláciu studeného vzduchu, čo znižuje účinnosť spotrebiča.
- Usporiadajte a označte jedlo tak, aby ste obmedzili otváranie dverí a dlhšie hľadanie. Vyberte naraz toľko predmetov, koľko potrebujete, a čo najskôr zatvorte dvere.

POKYNY NA POUŽÍVANIE

Ovládací panel



UPOZORNENIE

Hore znázornený obrázok je len ilustračný. Skutočná konfigurácia závisí od reálneho výrobku alebo vyhlásenia distribútora.

Tlačidlo

A	Tlačidlo na nastavenie teploty
---	--------------------------------

Displej

1	nastavenie teploty 1
2	nastavenie teploty 2
3	nastavenie teploty 3
4	nastavenie teploty 4
5	nastavenie teploty 5
6	nastavenie teploty 6

SK

Displej

Po zapnutí napájania chladničky sa obrazovka displeja (vrátane osvetlenia tlačidiel) na 3 s naplno rozsvieti, potom chladnička pobeží podľa nastavenia teploty 3.

Displej pri normálnej činnosti:

V prípade poruchy sa rozsvietením kombinácie príslušných LED zobrazí chybový kód (zobrazuje sa cyklicky).

Ak sa chyba nevyskytne, kontrolky LED budú zobrazovať reálne nastavenie teploty.

UPOZORNENIE

Skutočný ovládací panel sa môže na jednotlivých modeloch líšiť.

Pokyny na používanie

Nastavenie rýchlosti chladenia

- Nastavenie teploty sa bude meniť vždy po stlačení klávesu SET. Chladnička bude potom pracovať podľa hodnoty nového nastavenia po 15 s.

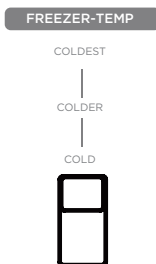
Nastavenie 1 → Nastavenie 2 → Nastavenie 3 → Nastavenie 4 → Nastavenie 5 →
Nastavenie 6 → Nastavenie 1 →

Režim rýchleho chladenia:

- Vstúpiť: Režim s rýchlou cirkuláciou chladiaceho média.
- Použitie: Indikátor rýchleho chladenia sa rozsvieti a chladnička pobeží pri 2 °C.
- Režim rýchleho chladenia sa automaticky na 24 hodín deaktivuje.
- Režim rýchleho chladenia je možné použiť na funkciu rýchleho zmrazovania.

Nastavenie manuálneho vzduchového regulátora

- Posunutím manuálneho vzduchového regulátora nahor sa skutočná teplota vnútri mraziaceho oddelenia zníži, posunutím vzduchového regulátora nadol sa skutočná teplota vnútri mraziaceho oddelenia zvýši.



Kód chyby

- Nasledujúce výstrahy zobrazené na displeji označujú zodpovedajúce poruchy chladničky. Aj keby si chladnička s nasledujúcimi chybami zachovala chladiacu a mraziacu funkciu, používateľ by sa mal obrátiť na špecialistu údržby a požiadať o opravu, aby sa zabezpečilo normálne používanie chladničky.

Kód chyby	Popis chyby
Svieti LED 1 a LED 2	Snímač teploty okruhu chladničky
Svieti LED 1 a LED 3	Snímač rozmrazenia mrazičky
Svieti LED 1 a LED 4	Snímač okolitej teploty

UPOZORNENIE

Poznámka: Funkcia rýchleho mrazenia je navrhnutá tak, aby zachovala nutričné hodnoty potravín v mrazičke. Dokáže zmraziť jedlo v najkratšom čase. Ak zmrazujete veľké množstvo potravín naraz, odporúča sa, aby používateľ zapol funkciu rýchleho mrazenia a vložil potraviny. V tomto čase sa zvýši rýchlosť mrazenia mraziacej priehradky, čo môže rýchlo zmraziť potraviny, efektívne uchovať nutričné hodnoty potravín a uľahčiť skladovanie.

Chladiaca komora

- Chladiaca komora je vhodná na skladovanie najrôznejších druhov ovocia, zeleniny, nápojov a iných potravín konzumovaných v krátkodobom horizonte, odporúčaná doba skladovania sú 3 až 5 dní.
- Varené jedlo sa nesmie dávať do chladiacej komory, kým nevychladne na izbovú teplotu.
- Pred vložením do chladničky sa odporúča potraviny uzavrieť.
- Sklenené police je možné nastaviť nahor alebo nadol, aby poskytovali vhodný úložný priestor a ľahko sa používali.

Mraziaca komora

- Nízkotepelná mraziaca komora môže udržiavať potraviny čerstvé dlho a používa sa hlavne na skladovanie mrazených potravín a výrobu ľadu.
- Mraziaca komora je vhodná na uskladnenie mäsa, rýb, ryžových gulôčok a iných potravín, ktoré nebudú konzumované v krátkej dobe.
- Kusy mäsa by sa mali prednostne rozdeliť na malé kúsky pre rýchle zmrazenie a ľahký prístup. Upozorňujeme, že jedlo musí byť spotrebované v priebehu času.

UPOZORNENIE

Poznámka: Skladovanie príliš veľkého množstva potravín počas prevádzky po prvom pripojení k napájaniu môže nepriaznivo ovplyvniť mraziaci účinok chladničky.

Poradie	TYP priehradky	Cieľová skladovacia tepl. [°C]	Vhodné potraviny
1	Chladnička	+2 ~ +8	Vajička, varené potraviny, balené potraviny, ovocie a zelenina, mliečne výrobky, zákusky, nápoje a iné potraviny nevhodné na zmrazenie.
2	(***)*-Mraznička	≤-18	Morské plody (ryby, krevety, mäkkýše), produkty zo sladkovodných vôd a mäsové výrobky (odporúča sa 3 mesiace, čím dlhšia doba skladovania, tým horšia chuť a výživná hodnota), vhodné na mrazené čerstvé potraviny.
3	***-Mraznička	≤-18	Morské plody (ryby, krevety, mäkkýše), produkty zo sladkovodných vôd a mäsové výrobky (odporúča sa 3 mesiace, čím dlhšia doba skladovania, tým horšia chuť a výživná hodnota), vhodné na mrazené čerstvé potraviny.
4	** -Mraznička	≤-12	Morské plody (ryby, krevety, mäkkýše), produkty zo sladkovodných vôd a mäsové výrobky (odporúča sa 3 mesiace, čím dlhšia doba skladovania, tým horšia chuť a výživná hodnota), vhodné na mrazené čerstvé potraviny.
5	*-Mraznička	≤-6	Morské plody (ryby, krevety, mäkkýše), produkty zo sladkovodných vôd a mäsové výrobky (odporúča sa 3 mesiace, čím dlhšia doba skladovania, tým horšia chuť a výživná hodnota), vhodné na mrazené čerstvé potraviny.
6	0 hviezdíček	-6 0	Čerstvé bravčové, hovädzie, ryby, kuracie mäso, niektoré balené spracované potraviny atď. (odporúča sa zjesť v ten istý deň, najlepšie nie viac ako 3 dni). Čiastočne uzavreté spracované potraviny (potraviny, ktoré sa nezmrazuju).
7	Okolo nuly	-2 ~ +3	Čerstvé/mrazené bravčové, hovädzie, hydina, produkty z čistej vody atď. (7 dní pod 0 °C a nad 0 °C sa odporúča skonzumovať ešte v ten istý deň, ideálne nie dlhšie ako 2 dni). Morské plody (pod 0 na 15 dní, nie je vhodné skladovať nad 0 °C).
8	Čerstvé potraviny	0 ~ +4	Čerstvé bravčové, hovädzie, ryby, kuracie mäso, varené jedlo atď. (Odporúča sa jesť v ten istý deň, najlepšie nie dlhšie ako 3 dni)
9	Víno	+5 ~ +20	Červené víno, biele víno, šumivé víno atď.

UPOZORNENIE

rozičné potraviny, ktoré si zakúpite, skladujte v rôznych priehradkách alebo podľa cieľovej skladovacej teploty.

ČISTENIE A ÚDRŽBA

Celkové čistenie

- Prach za chladničkou a na zemi sa musí včas vyčistiť, aby sa zlepšil chladiaci efekt a úspora energie.
- Pravidelne kontrolujte tesnenie dverí, či tam nie sú nečistoty. Vyčistíte tesnenie dverí mäkkou handričkou navlhčenou mydlovou vodou alebo zriedeným saponátom.
- Vnútro chladničky je potrebné pravidelne čistiť, aby nepáchla.
- Pred čistením interiéru vypnite napájanie, vyťahnite všetky potraviny, nápoje, poličky, zásuvky atď.
- Mäkkou handričkou alebo špongiou vyčistíte vnútro chladničky roztokom z dvoch polievkových lyžíc sódy bikarbóny a litra teplej vody. Potom opláchnite vodou a dočista utrite. Po vyčistení otvorte dvere a pred opätovným zapnutím nechajte prirodzene vyschnúť.
- Na oblasti, ktoré sa v chladničke ťažko čistia (napríklad úzke štrbiny, medzery alebo rohy) sa odporúča pravidelne ich otrieť mäkkou handrou, mäkkou kefou atď. A podľa potreby to skombinovať s niektorými pomocnými nástrojmi (ako napr. tenké tyčinky), aby sa zabezpečilo, že sa v týchto miestach nebudú hromadiť kontaminanty ani baktérie.
- Nepoužívajte mydlo, saponát, čistiaci prášok, sprejový čistič atď., pretože by mohli spôsobiť zápach vo vnútri chladničky alebo kontaminovať potraviny.
- Vyčistíte rám na fľaše, poličky a zásuvky mäkkou handričkou navlhčenou mydlovou vodou alebo zriedeným saponátom. Vysušte mäkkou handričkou, prípadne nechajte prirodzene vyschnúť.
- Vonkajší povrch chladničky utrite mäkkou handričkou navlhčenou mydlovou vodou, saponátom atď., a potom utrite dosucha.
- Nepoužívajte tvrdé kefy, čistiace oceľové guľôčky, drôtené kefy, abrazívne prostriedky (napríklad zubné pasty), organické rozpúšťadlá (napríklad alkohol, acetón, banánový olej atď.), vriacu vodu, kyslé ani zásadité predmety, ktoré môžu poškodiť povrch chladničky a interiér. Vriaca voda a organické rozpúšťadlá, ako je benzén, môžu deformovať alebo poškodiť plastové časti.
- Počas čistenia neoplachujte priamo vodou ani inými tekutinami, aby ste predišli skratom a neovplyvnili elektrickú izoláciu ponorením do tekutiny.

UPOZORNENIE

Pred rozmrazovaním a čistením chladničku odpojte.

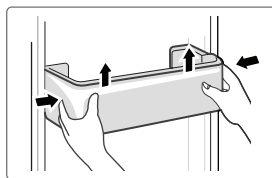
Odmrazovanie

- Chladnička je vyrobená na princípe chladenia vzduchom a má teda funkciu automatického odmravovania. Námrazu vytvorenú v dôsledku zmeny ročného obdobia alebo teploty je možné odstrániť aj ručne odpojením spotrebiča od napájania alebo utretím suchým uterákom.

Čistenie zásobníka na dverách

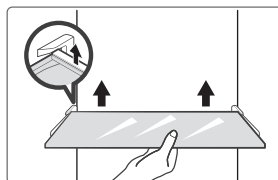
- Podľa smerovej šípky na obrázku nižšie stlačte zásobník dvoma rukami a vytlačte ho smerom hore, aby sa dal vytiahnuť.
- Po umytí bola zásuvka vytiahnutá,

môžete nastaviť jej inštalovanú výšku podľa svojich požiadaviek.



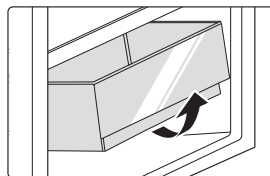
Čistenie sklenených polic

- Pretože najvnútornejšia časť vložky chladničky, v ktorej je kontakt s policami, má spätný doraz, zdvihnete police smerom hore a potom ju budete môcť vybrať.
- Upravte alebo vyčistite poličky podľa svojich potrieb.



Čistenie priehradky na zeleninu

1. Vyberte obsah priehradky. Držte rukoväť priehradky na zeleninu a úplne ju vytiahnite, kým sa nezastaví.
2. Zdvihnite priehradku na zeleninu nahor a ťahom ju vyberte von.



Mimo prevádzku

Výpadok energie:

V prípade výpadku prúdu (aj v lete), môžete potraviny vo vnútri spotrebiča uchovávať niekoľko hodín. Počas výpadku energie je potrebné redukovať počet otvorení dverí a do spotrebiča sa už nesmú dávať čerstvé potraviny.

Dlhodobé nepoužívanie:

Spotrebič je potrebné odpojiť a vyčistiť. Dvere treba nechať otvorené, aby nevznikal zápach.

Presúva sa:

Pred premiestnením chladničky vytiahnite von všetky predmety, zafixujte páskou sklenené priečky, držiak na zeleninu, zásuvky mraziacej komory atď. a zatahnite vyrovnávacie nožičky. Zatvorte dvere a zafixujte ich páskou. Počas premiestňovania nesmie byť spotrebič položený hore dnom ani vodorovne, nesmie ani vibrovať. Sklon počas premiestňovania nesmie byť väčší ako 45°.

● UPOZORNENIE

Po spustení musí spotrebič bežať nepretržite. Prevádzka spotrebiča sa spravidla nesmie prerušiť, inak by sa mohla znížiť jeho životnosť.

ODSTRAŇOVANIE PROBLÉMOV

Nasledujúce jednoduché problémy dokáže vyriešiť samotný používateľ. Ak sa problémy nepodarí vyriešiť, obráťte sa na oddelenie popredajných služieb.

Problém	Možná príčina
Porucha prevádzky	<ul style="list-style-type: none">• Skontrolujte, či je spotrebič zapojený do zásuvky a či má zástrčka dobrý kontakt.
	<ul style="list-style-type: none">• Skontrolujte, či nie je napätie nízke.
	<ul style="list-style-type: none">• Skontrolujte, či nedošlo k výpadku napájania alebo či nedošlo k poruche čiastkových obvodov.
Zápach	<ul style="list-style-type: none">• Zapáchajúce potraviny je potrebné tesne uzavrieť.
	<ul style="list-style-type: none">• Skontrolujte, či v chladničke nie sú zhnité potraviny.
	<ul style="list-style-type: none">• Vyčistite vnútro chladničky.
Dlhodobá prevádzka kompresora	<ul style="list-style-type: none">• Dlhá prevádzka chladničky je normálna v lete, keď je okolitá teplota vysoká.
	<ul style="list-style-type: none">• Neodporúča sa mať v spotrebiči súčasne príliš veľa jedla.
	<ul style="list-style-type: none">• Jedlo musí byť pred vložením do spotrebiča vychladnuté.
	<ul style="list-style-type: none">• Dvere sa otvárajú príliš často.
Svetlá nesvietia	<ul style="list-style-type: none">• Skontrolujte, či je chladnička pripojená k zdroju napájania a či nie je poškodený svetelný indikátor.
	<ul style="list-style-type: none">• Svetlo musí vymieňať odborník.
Je možné, že dvierka nie sú dobre zatvorené	<ul style="list-style-type: none">• Dvierka sú zablokované balíkmi jedla
	<ul style="list-style-type: none">• Chladnička je naklonená.
Hlasné zvuky	<ul style="list-style-type: none">• Skontrolujte, či je podlaha rovná a či je chladnička umiestnená stabilne.
	<ul style="list-style-type: none">• Skontrolujte, či je príslušenstvo umiestnené na správnom mieste.

Problém	Možná příčina
Dvere netesia	<ul style="list-style-type: none"> • Odstráňte cudzorodé predmety z tesnenia dverí. • Zahrejte tesnenie dverí a potom ho ochladte na obnovenie (alebo ho oúknite fénom alebo na zahriatie použite horúci uterák).
Pretečenie zásobníka na vodu	<ul style="list-style-type: none"> • V komore je príliš veľa jedla alebo skladované potraviny obsahujú príliš veľa vody, čo vedie k silnému rozmrazovaniu. • Dvere nie sú správne zatvorené, čo vedie k zamrznutiu v dôsledku vstupu vzduchu a zvýšeniu množstva vody v dôsledku rozmrazovania.
Horúci povrch	<ul style="list-style-type: none"> • Cez kryt dochádza k vyžarovaniu tepla zo vstavaného kondenzora, toto je normálne. Ak sa kryt spotrebiča rozhorúči kvôli vysokej teplote prostredia, nie je vhodné skladovať príliš veľa potravín, lebo kompresor sa môže vypnúť. Uľahčite rozptyl tepla vhodným vetraním.
Kondenzácia na povrchu	<ul style="list-style-type: none"> • Kondenzácia na vonkajšom povrchu a tesnení dverí chladničky je normálna, keď je okolitá vlhkosť príliš vysoká. Jednoducho utrite kondenzát čistým uterákom.
Nezvyčajný hluk	<ul style="list-style-type: none"> • Bzučanie: Kompresor môže počas prevádzky vydávať bzučanie a tieto zvuky sú hlasné, najmä pri štarte alebo zastavení. Je to normálny jav. • Vŕzganie: Chladivo prúdiace vo vnútri spotrebiča môže vydávať vŕzganie, čo je normálne.

PRÍLOHA

Špeciálne pre novú európsku normu

V nasledujúcej tabuľke sú uvedené diely, ktoré je možné objednať prostredníctvom poskytovateľa servisu.

Objednávaný diel	Poskytuje	Minimálny čas potrebný na poskytnutie
Termostaty	Profesionálny pracovník údržby	Najmenej 7 rokov po uvedení posledného modelu na trh
Snímače teploty	Profesionálny pracovník údržby	Najmenej 7 rokov po uvedení posledného modelu na trh
Dosky s plošnými spojmi	Profesionálny pracovník údržby	Najmenej 7 rokov po uvedení posledného modelu na trh
Svetelný zdroj	Profesionálny pracovník údržby	Najmenej 7 rokov po uvedení posledného modelu na trh
Rukováti dverí	Profesionálni opravári a koncoví používatelia	Najmenej 7 rokov po uvedení posledného modelu na trh
Pánty dverí	Profesionálni opravári a koncoví používatelia	Najmenej 7 rokov po uvedení posledného modelu na trh
Podnosy	Profesionálni opravári a koncoví používatelia	Najmenej 7 rokov po uvedení posledného modelu na trh
Košé	Profesionálni opravári a koncoví používatelia	Najmenej 7 rokov po uvedení posledného modelu na trh
Tesnenia dverí	Profesionálni opravári a koncoví používatelia	Najmenej 10 rokov po uvedení posledného modelu na trh

SK

Vážený zákazník,

1. Ak chcete výrobok vrátiť alebo vymeniť, obráťte sa na obchod, v ktorom ste ho kúpili. (Nezabudnite priniesť doklad o zakúpení)
2. Ak sa váš výrobok pokazí a je potrebné ho opraviť, kontaktujte poskytovateľa popredajného servisu.

UPOZORNENIE

Informácie o modeli v databáze produktov a identifikátor modelu je možné získať prostredníctvom webového prepojenia naskenovaného pomocou kódu QR, ak je uvedený na štítku energetickej účinnosti výrobku.

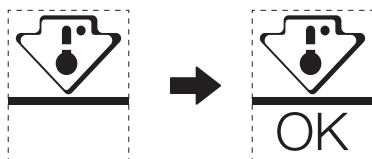
Ďalšie informácie o energetickej účinnosti spotrebiča nájdete na stránke <https://ec.europa.eu> a vyhľadajte si podrobnosti podľa názvu modelu.

Názov modelu sa nachádza na typovom štítku spotrebiča.

Najchladnejšia zóna v chladničke

VOLITEĽNÝ DOPLNOK: indikátor teploty – OK

- Indikátor teploty – OK je možné použiť na určenie, či je teplota pod +4 °C. Teplotu je možné postupne znižovať, ak indikátor nezobrazuje „OK“.



- Ak chcete zaistiť teplotu v tejto oblasti, nemeňte umiestnenie police. Pre chladničky s núteným obehom vzduchu (vybavené ventilátorom alebo modely bez mrazenia) symbol najchladnejšej zóny nie je znázornený, pretože teplota vo vnútri je homogénna.

Nastavenie indikátora teploty

- V rámci dobrého nastavenia je chladnička vybavená indikátorom teploty, ktorý bude sledovať priemernú teplotu v najchladnejšej zóne.
- VÝSTRAHA:** Tento indikátor je určený len pre vašu chladničku, nepoužívajte ho v inej chladničke (v skutočnosti najchladnejšia zóna nie je rovnaká) ani na žiadne iné účely.

Overenie teploty v najchladnejšej zóne

- Vďaka indikátoru teploty môžete pravidelne kontrolovať, či je teplota v najchladnejšej zón správna. Vnútna teplota chladničky v skutočnosti závisí od niekoľkých faktorov, ako je teplota okolia v miestnosti, množstvo uložených potravín a frekvencia otvárania dverí. Pri nastavení spotrebiča zoberte tieto faktory do úvahy.
- Keď indikátor ukazuje «OK», znamená to, že termostat je dobre nastavený a vnútorná teplota je správna.
- Ak sa indikátor teploty zmení na BIELY, znamená to, že teplota je príliš vysoká; v takom prípade zvýšte nastavenie ovládania teploty chladničky a počkajte 12 hodín pred vykonaním novej vizuálnej kontroly indikátora. Po vložení čerstvých potravín alebo ponechaní otvorených dvierok je možné, že sa ukazovateľ teploty po chvíli zmení na BIELY.

DOKUMENTÁCIA A CERTIFIKÁTY

Vyhlásenie o zhode

Týmto potvrdzujeme, že nasledujúce názvy modelov a názvy modelov značky Midea si navzájom zodpovedajú.

Značka	Model Midea	Marketingový model	Model podľa výrobcu
Midea	HD-403RWENJ	MDRB424FGE01I	CE-BCD310WE-JT
Midea	HD-403RWENJ	MDRB424FGE02I	CE-BCD310WE-JT

Názov výrobcu: Guangzhou Midea Hualing Refrigerator Co., Ltd.
Adresa výrobcu: No. 5 Xinguangsi Road, Qianfeng Zhujiang, Nansha District, Guangzhou City, Guangdong Province, P.R.China

SK

My, spoločnosť Guangzhou Midea Hualing Refrigerator Co., Ltd., týmto vyhlasujeme, že vyššie uvedené produkty sú v súlade s vyššie uvedenými aktuálne platnými predpismi a normami.

PORUKA ZAHVALNOSTI

Hvala vam što ste izabrali kompaniju Midea! Pre upotrebe svog novog Midea proizvoda, pažljivo pročitajte ovo uputstvo da biste se uverili da znate kako da na bezbedan način koristite karakteristike i funkcije koje vaš novi uređaj nudi.

SADRŽAJ

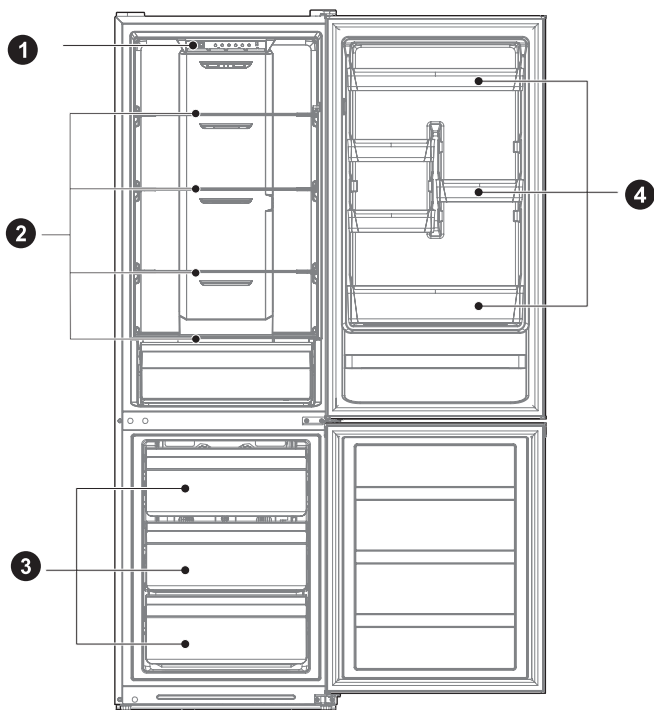
PORUKA ZAHVALNOSTI -----	01
SPECIFIKACIJE -----	02
PREGLED PROIZVODA -----	03
INSTALACIJA PROIZVODA -----	04
UPUTSTVO ZA UPOTREBU -----	11
ČIŠĆENJE I ODRŽAVANJE -----	15
OTKLANJANJE PROBLEMA -----	17
DODATAK -----	19
DOKUMENTACIJA I SERTIFIKATI -----	21

SPECIFIKACIJE

Model proizvoda	MDRB424FGE01 MDRB424FGE02I
Zapremina odeljka za čuvanje sveže hrane	224 L
Zapremina odeljka za čuvanje zamrznute hrane	86 L
Tip odmrzavanja	Automatsko odmrzavanje
Vreme rasta temperature	8 h
Kapacitet zamrzavanja	3,9 kg/24h
Nominalni napon	220-240 V~
Nazivna jačina struje	0,8 A
Ukupne dimenzije (V x Š x D)	1880x595x630mm

PREGLED PROIZVODA

Nazivi komponenti



1 Fioka

2 Polica

3 Fioka

4 Polica za vrata

● PAŽNJA

Slika iznad služi samo za referencu. Stvarna konfiguracija će zavisiti od kupljenog proizvoda ili izjave distributera.

INSTALACIJA PROIZVODA

Uputstvo za instalaciju

Za uređaje za hlađenje sa klimatskom klasom

- U zavisnosti od klimatske klase, ovaj uređaj za hlađenje predviđen je za upotrebu u opsezima temperature okruženja navedenim u sledećoj tabeli.
- Klimatsku klasu možete da pronađete na pločici sa specifikacijama. Proizvod ne može ispravno da funkcioniše na temperaturama van navedenog opsega.
- Klimatsku klasu možete naći na nalepnici proizvoda.

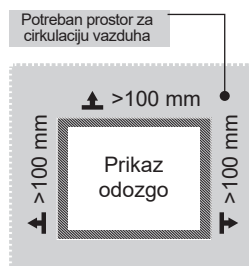
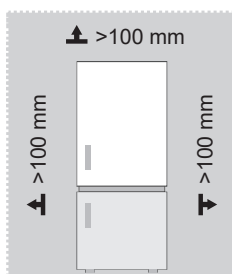
Efektivni opseg temperature

- Proizvod je projektovan tako da normalno radi u opsegu temperature koji je naveden u specifikacijama klase.

Klasa	Simbol	Opseg temperature okoline °C	
		IEC 62552 (ISO 15502)	ISO 8561
Proširena umerena	SN	+ 10 do + 32	+ 10 do + 32
Umerena	N	+ 16 do + 32	+ 16 do + 32
Subtropska	ST	+ 16 do + 38	+ 18 do + 38
Tropska	T	+ 16 do + 43	+ 18 do + 43

Dimenzije i rastojanja

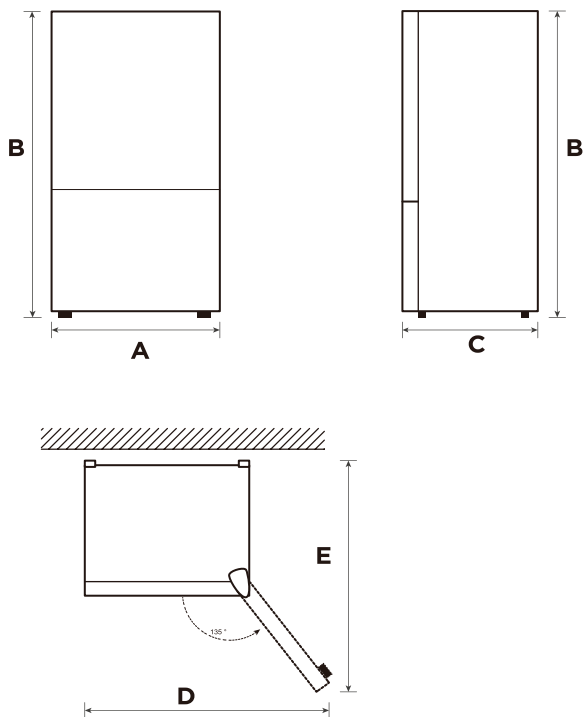
- Nedovoljno rastojanje od susednih predmeta može da dovede do smanjenja kapaciteta zamrzavanja i povećanja troškova električne energije. Prilikom postavljanja uređaja, ostavite više od 100 mm slobodnog prostora od svakog susjednog zida.



PAŽNJA

Slika iznad služi samo za referencu. Stvarna konfiguracija će zavisiti od kupljenog proizvoda ili izjave distributera.

Crtež potrebnog prostora (kada su vrata otvorena i kada su vrata zatvorena)



SR

Širina	Ukupna visina	Dubina	Širina otvaranja vrata 135°	Dubina otvaranja vrata 135°
A	B	C	D	E
595	1880	630	988	1074

Napomena: Sve dimenzije u mm

Promena strane otvaranja vrata (opcija)

U zavisnosti od lokacije na kojoj planirate da koristite frižider, možda će vam biti zgodnije da promenite stranu otvaranja vrata.

OPREZ

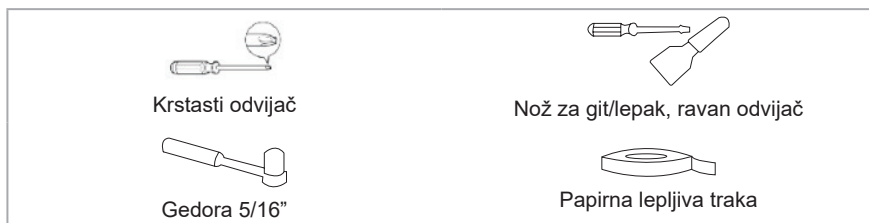
OPREZ: Da se ne biste povredili ili da biste izbegli oštećenje imovine, preporučujemo da vam neko pomogne tokom promene strane otvaranja vrata.

Priprema za promenu strane otvaranja vrata

Potrebni su: Standardni odvijač, Phillips odvijač i priloženi imbus ključ.

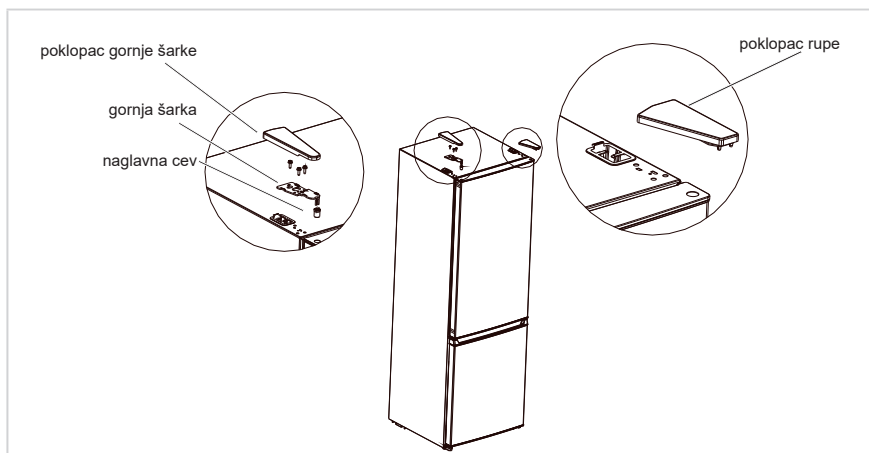
- Uverite se da je vaš frižider isključen i prazan.
- Neka vam neko pomogne tokom ovog postupka.
- Sačuvajte sve delove koje uklonite da biste ih kasnije ponovo postavili.

Alati potrebni za promenu strane otvaranja vrata:

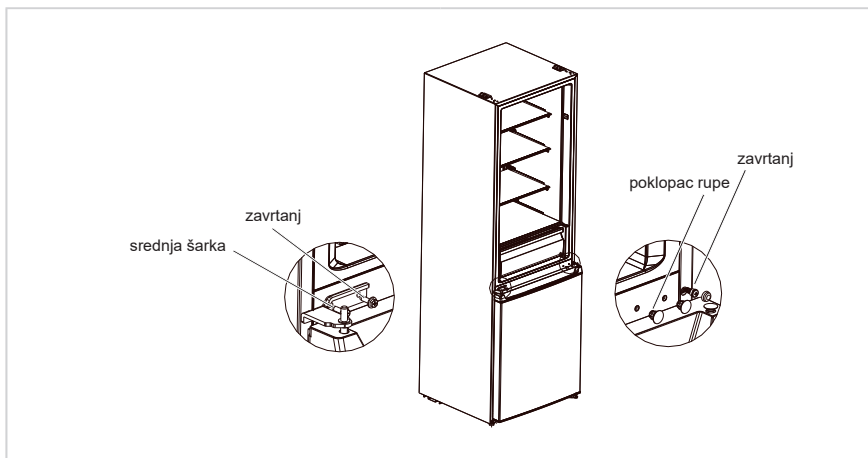


Korak

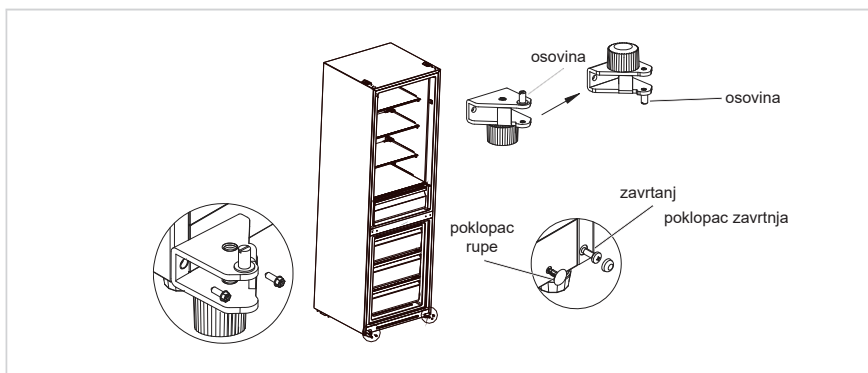
1. Isključite frižider i uklonite sve predmete sa polica na vratima.
2. Demontirajte gornji poklopac sa šarkom, odvojite signalne kablove, gornju šarku i poklopac otvora sa druge strane, uklonite vrata rashladnog uređaja.



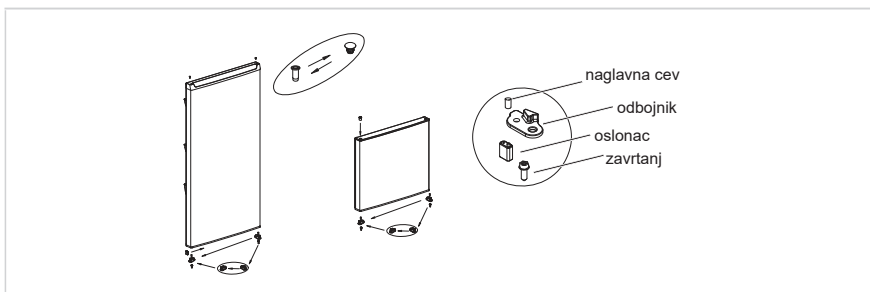
3. Demontirajte srednju šarku, zavrtnje, poklopce otvora za zavrtnje i skinite vrata zamrzivača.



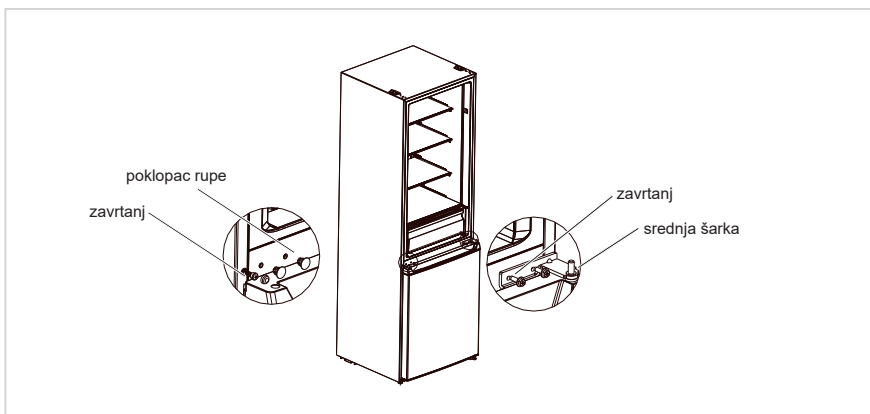
4. Demontirajte donju šarku, poklopce otvora i zavrtnje, postavite osovinu donje šarke i podesite nožicu sa druge strane donje šarke, a zatim postavite šarku na drugu stranu.



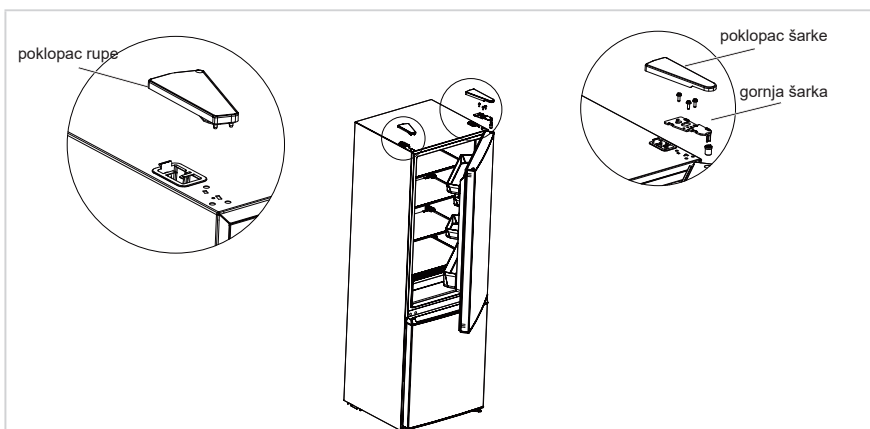
5. Demontirajte zavrtnj, naglavnu cev i odbojnik sa vrata frižidera i vrata zamrzivača, takođe uklonite oslonac na donjem poklopcu vrata za hlađenje. Zatim ih redom postavite na drugu stranu vrata. (Izvadite donji odbojnik iz paketa sa dodacima)
6. Zamenite položaj naglavne cevi i poklopca otvora na gornjem poklopcu vrata za hlađenje i postavite gornji rukavac šarke na vratima zamrzivača u otvor na drugoj strani osovinskog rukavca.



7. Postavite vrata zamrzivača na donju šarku, postavite srednju šarku, zavrtnje i poklopce za rupe za zavrtnje.



8. Postavite vrata za hlađenje na srednju šarku, montirajte gornju šarku, poklopac šarke i poklopac otvora.



SR

● PAŽNJA

Slika iznad služi samo za referencu. Stvarna konfiguracija će zavisiti od kupljenog proizvoda ili izjave distributera.

Postavljanje

- Pre upotrebe uklonite sve ambalažne materijale, uključujući uloške na dnu, penaste obloge i trake u frižideru; uklonite zaštitnu foliju na vratima i kućištu frižidera.
- Držite dalje od toplote i izbegavajte direktnu sunčevu svetlost. Ne stavljate frižider na vlažna ili vodena mesta da biste sprečili rđanje ili smanjenje efekta izolacije.
- Ne prskajte po frižideru i ne perite ga; ne stavljajte frižider na vlažna mesta na kojima bi lako mogla voda da prska po njemu, jer bi to moglo da utiče na električnu izolovanost frižidera.
- Frižider treba da se postavi u dobro provetrenom zatvorenom prostoru; podloga mora biti ravna i čvrsta (okrećite levo ili desno da biste podesili točkić za nivelisanje ako je nestabilan).



Stopice za nivelisanje

Da bi se izbegle vibracije, uređaj mora biti nivelisan.

Ako je potrebno, podesite zavrtnje za nivelisanje da biste kompenzovali neravan pod.

Prednji deo treba da bude nešto viši od zadnjeg da bi se lakše zatvorila vrata.

Zavrtnji za nivelisanje mogu lako da se okreću ako se kućište malo nagne.

Okrećite zavrtnje za nivelisanje suprotno smeru kazaljke na satu  da biste podigli uređaj ili u smeru kazaljke na satu  da biste ga spustili.

Premeštanje uređaja

1. Uklonite svu hranu iz unutrašnjosti uređaja.
2. Izvucite utikač za napajanje, umetnite i pričvrstite na kuku za utikač na zadnjoj strani ili na vrhu uređaja.
3. Zalepите delove kao što su police i ručka na vratima da ne bi pali dok premeštate uređaj.
4. Uređaj pažljivo premeštajte uz pomoć jedne ili više osoba. Kada transportujete uređaj na velike udaljenosti, uređaj mora biti u uspravnom položaju.
5. Nakon instaliranja uređaja, priključite utikač u utičnicu da biste uključili uređaj.

PAŽNJA

Mere predostrožnosti pre početka upotrebe:

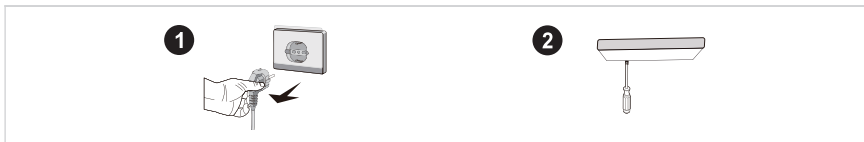
Pre nego što izvršite promene, frižider mora biti isključen iz struje. Treba preduzeti mere predostrožnosti kako bi se sprečile bilo kakve telesne povrede.

Zamena sijalica

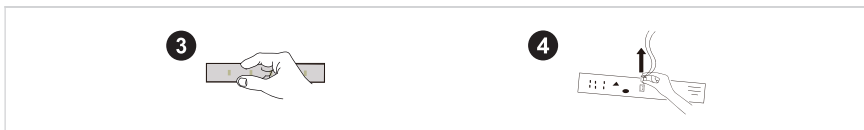
- Svaku zamenu ili održavanje LED sijalica treba da izvrši proizvođač, njegov serviser ili slično kvalifikovana osoba. Ovaj proizvod sadrži izvor svetlosti klase energetske efikasnosti <F>.

Korak

1. Isključite strujni kabl iz utičnice pre zamene.
2. Skinite štitnik sijalice odvijačem.



3. Skinite panel sijalice.
4. Uklonite priključak.



Povezivanje uređaja

Pre prvog pokretanja, frižider ne treba pomerati pola sata pre nego što ga priključite na napajanje.

PAŽNJA

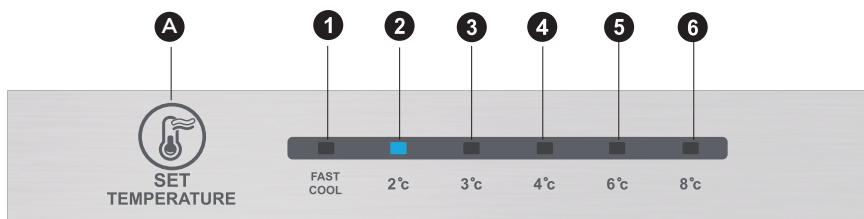
Pre stavljanja bilo kakve sveže ili zamrznute hrane, frižider treba da radi 2-3 sata, ili leti više od 4 sata kada je temperatura okoline visoka.

Saveti za štednju energije

- Uređaj treba da se nalazi u najhladnijem delu prostorije, daleko od uređaja koji proizvode toplotu ili grejnih vodova, i van direktne sunčeve svetlosti.
- Ostavite tople namirnice da se ohlade na sobnu temperaturu pre stavljanja u uređaj. Preopterećenje uređaja dovodi do dužeg rada kompresora. Hrana koja se zamrzava suviše sporo može izgubiti kvalitet ili se pokvariti.
- Obavezno dobro umotajte hranu i obrišite posude pre nego što ih stavite u uređaj. Ovo smanjuje gomilanje leda unutar uređaja.
- Kutiju za skladištenje ne treba oblagati aluminijumskom folijom, voštanim papirom ili papirnim ubrusom. Obloge ometaju cirkulaciju hladnog vazduha, što čini uređaj manje efikasnim.
- Organizujte i označite hranu kako bi se smanjila česta otvaranja vrata i vreme traženja. Izvadite odjednom onoliko namirnica koliko je potrebno i zatvorite vrata što je pre moguće.

UPUTSTVO ZA UPOTREBU

Kontrolna tabla



● PAŽNJA

Slika iznad služi samo za referencu. Stvarna konfiguracija će zavisiti od kupljenog proizvoda ili izjave distributera.

Taster

A	Alarm/taster za isključivanje i uključivanje
---	--

Sadržaj displeja

1	Podešavanje temperature 1
2	Podešavanje temperature 2
3	Podešavanje temperature 3
4	Podešavanje temperature 4
5	Podešavanje temperature 5
6	Podešavanje temperature 6

Ekran

Kada uključite frižider, ekran (uključujući svetlo tastera) će se upaliti na 3 s, a zatim će frižider raditi u skladu sa podešavanjem temperature 3.

Prikaz normalnog rada

U slučaju kvara, odgovarajuća LED lampica će dati kombinovani prikaz koda greške (na prikazu za reciklažu);

Ako nema greške, LED lampica će prikazati postojeće podešavanje temperature.

● PAŽNJA

Stvarna kontrolna tabla se može razlikovati od modela do modela.

Uputstvo za upotrebu

Podešavanje rada

- Podešavanje temperature će se promeniti jednom svaki put kada pritisnete taster SET. Frižider će nakon 15 sekundi početi da radi sa novom vrednošću podešavanja.

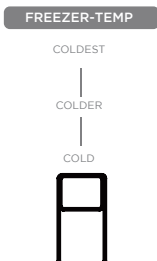
Podešavanje 1 → Podešavanje 2 → Podešavanje 3 → Podešavanje 4 → Podešavanje 5
→ Podešavanje 6 → Podešavanje 1 →

Režim brzog hlađenja:

- Ulazak: Režim brzog hlađenja sa regulacijom cirkulacije.
- Rukovanje: Indikator brzog hlađenja se pali, a frižider radi na 2°C.
- Režim brzog hlađenja se automatski isključuje na 24 sata.
- Funkcija brzog hlađenja se može koristiti kao funkcija super zamrzavanja.

Podešavanje ručice za ručnu vazдушnu klapnu

- Okrenite ručicu vazdušne klapne nagore, stvarna temperatura u zamrzivaču će pasti, okrenite ručicu vazdušne klapne nadole, stvarna temperatura u komori zamrzivača će porasti.



SR

Šifra greške

- Sledeća upozorenja koja se pojavljuju na ekranu ukazuju na odgovarajuće kvarove frižidera. Iako frižider može i dalje da ima funkciju hlađenja i zamrzavanja sa sledećim kvarovima, korisnik treba da se obrati serviseru radi održavanja kako bi se obezbedila normalna upotreba frižidera.

Šifra kvara	Opis kvara
LED 1 i LED 2 svetle	Kolo senzora temperature frižidera
LED 1 i LED 3 svetle	Senzor za odmrzavanje zamrzivača
LED 1 i LED 4 svetle	Senzor temperature okoline

● PAŽNJA

Napomena: Funkcija brzog zamrzavanja je predviđena za održavanje hranljive vrednosti hrane u zamrzivaču. Ona može da zamrzne hranu u najkraćem roku. Ako se odjednom zamrzava velika količina hrane, korisniku se preporučuje da uključi funkciju brzog zamrzavanja i da stavi hranu unutra. Tom prilikom, zamrzavanje unutar zamrzivača se ubrzava da bi se hrana brzo zamrzla, a time i efikasno očuvala hranljivost hrane i doprinelo kvalitetu čuvanja.

Komora za rashlađivanje

- Frižider je pogodan za skladištenje raznih vrsta voća, povrća, pića i ostale hrane koja se konzumira u kratkom roku, preporučeno vreme skladištenja od 3 dana do 5 dana.
- Kuvana hrana se ne sme stavljati u frižider dok se ne ohladi na sobnu temperaturu.
- Preporučuje se da hranu zatvorite pre stavljanja u frižider.
- Staklene police mogu da se podignu ili spuste da bi se dobio odgovarajući prostor za odlaganje i jednostavnu upotrebu.

Komora za zamrzavanje

- Zamrzivač na niskoj temperaturi može dugo vremena da održava hranu svežom i uglavnom se koristi za skladištenje zamrznute hrane i pravljenje leda.
- Zamrzivač je pogodan za skladištenje mesa, ribe, pirinčanih kuglica i ostale hrane koja se ne neće konzumirati u kratkom roku.
- Komade mesa je poželjno podeliti na manje komade radi bržeg zamrzavanja i jednostavnog pristupa. Imajte u vidu da hranu treba konzumirati u roku skladištenja.

PAŽNJA

Napomena: Skladištenje previše hrane tokom rada, nakon prvog priključenja na napajanje može negativno da utiče na efekat zamrzavanja frižidera.

Redosled	TIP odeljka	Ciljna temperatura skladištenja [°C]	Pogodne namirnice
1	Frižider	+2 ~ +8	Jaja, kuvana hrana, upakovana hrana, voće i povrće, mlečni proizvodi, kolači, pića i druga hrana nisu pogodni za zamrzavanje.
2	(***)*zamrzivač	≤-18	Plodovi mora (riba, škampi, školjke), proizvodi iz slatkovodnih voda i proizvodi od mesa (preporučuju se skladištenje ne duže od 3 meseca, što je duže vreme skladištenja, lošiji su ukus i ishrana), pogodni za zamrznutu svežu hranu.
3	***zamrzivač	≤-18	Plodovi mora (riba, škampi, školjke), proizvodi iz slatkovodnih voda i proizvodi od mesa (preporučuju se skladištenje ne duže od 3 meseca, što je duže vreme skladištenja, lošiji su ukus i ishrana), pogodni za zamrznutu svežu hranu.
4	**zamrzivač	≤-12	Plodovi mora (riba, škampi, školjke), proizvodi iz slatkovodnih voda i proizvodi od mesa (preporučuju se skladištenje ne duže od 3 meseca, što je duže vreme skladištenja, lošiji su ukus i ishrana), pogodni za zamrznutu svežu hranu.
5	*-zamrzivač	≤-6	Plodovi mora (riba, škampi, školjke), proizvodi iz slatkovodnih voda i proizvodi od mesa (preporučuju se skladištenje ne duže od 3 meseca, što je duže vreme skladištenja, lošiji su ukus i ishrana), pogodni za zamrznutu svežu hranu.
6	0 zvezdica	-6 ~ 0	Sveža svinjetina, govedina, riba, piletina, neke upakovane prerađene namirnice itd. (Preporučuje se da se jede u toku istog dana, po mogućnosti ne skladištiti duže od 3 dana). Delimično inkapsulirana prerađena hrana (hrana koja se ne može zamrzavati).
7	Hlađenje	-2 ~ +3	Sveže/zamrznuto svinjetina, govedina, piletina, proizvodi iz slatkovodnih voda, itd. (7 dana ispod 0°C i iznad 0°C, preporučuje se konzumiranje u toku istog dana, poželjno ne duže od 2 dana). Morski plodovi (manje od 0 za 15 dana, ne preporučuje se skladištenje iznad 0°C).
8	Sveža hrana	0 ~ +4	Sveža svinjetina, govedina, riba, piletina, kuvana hrana itd. (Preporučuje se da se jede u toku istog dana, poželjno ne duže od 3 dana)
9	Vino	+5 ~ +20	Crveno vino, belo vino, penušavo vino itd.

SR

● PAŽNJA

Različite namirnice skladištite u skladu sa odeljcima ili potrebnom ciljnom temperaturom skladištenja.

ČIŠĆENJE I ODRŽAVANJE

Opšte čišćenje

- Prašinu iza frižidera i na podu treba blagovremeno čistiti kako bi se povećao efekat hlađenja i ušteda energije.
- Redovno proveravajte zaptivku vrata da biste bili sigurni da nema otpada. Očistite zaptivku vrata mekom krpom koja je navlažena u sapunicu ili razblaženi deterdžent.
- Unutrašnjost frižidera treba redovno čistiti kako bi se izbegao neprijatan miris.
- Isključite struju pre čišćenja unutrašnjosti, uklonite svu hranu, pića, police, fioke, itd.
- Koristite meku krpu ili sunđer za čišćenje unutrašnjost frižidera, sa dve kašike sode bikarbone i litar tople vode. Zatim isperite vodom i obrišite. Nakon čišćenja otvorite vrata i pustite da se prirodno osuši pre uključivanja u struju.
- Za područja koja je teško očistiti u frižideru (poput uskih sendviča, praznina ili uglova), preporučuje se da ih redovno brišete mekom krpom, mekom četkom, itd. i po potrebi kombinujete sa nekim pomoćnim alatima (npr. tankim štapićima) kako bi se obezbedilo da se na tim područjima ne nakupljaju zagađivači ili bakterije.
- Ne koristite sapun, deterdžent, prašak za ribanje, sredstvo za čišćenje u spreju, itd., jer to može prouzrokovati neprijatne mirise u unutrašnjosti frižidera ili kontaminiranu hranu.
- Očistite okvir za flaše, police i fioke mekom krpom koja je navlažena u sapunicu ili razblaženi deterdžent. Osušite mekom krpom ili osušite prirodno.
- Obrišite spoljašnju površinu frižidera mekom krpom koja je navlažena sapunicom, deterdžentom, itd, a zatim je obrišite suvom krpom.
- Nemojte koristiti tvrde četke, čelične kuglice za čišćenje, žičane četke, abrazivna sredstva (kao što su paste za zube), organske rastvarače (kao što su alkohol, aceton, ulje banane, itd.), ključalu vodu, kisele ili alkalne predmete koji mogu da oštete površinu i unutrašnjost frižidera. Ključala voda i organski rastvarači, kao što je benzen, mogu deformisati ili oštetiti plastične delove.
- Tokom čišćenja nemojte ispirati direktno vodom ili drugim tečnostima da biste izbegli kratak spoj ili uticali na električnu izolaciju nakon potapanja.

PAŽNJA

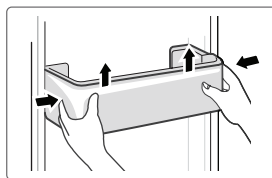
Isključite frižider radi odmrzavanja i čišćenja.

Odmrzavanje

- Frižider je napravljen po principu hlađenja vazduha i zato ima funkciju automatskog odmrzavanja. Mraz koji se formira zbog promene godišnjeg doba ili temperature može i ručno da se ukloni isključivanjem uređaja sa napajanja ili brisanjem suvim peškirom.

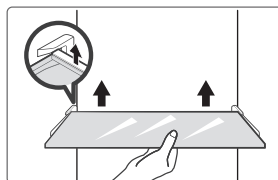
Čišćenje police za vrata

- Prema strelici smera na donjoj slici, sa obe ruke gurnite policu nagore, a zatim je možete izvaditi.
- Nakon pranja izvađene police možete da podesite njenu visinu ugradnje kako želite.



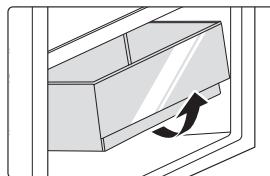
Čišćenje staklene police

- Kako najdublji unutrašnji deo podloge frižidera gde kontakt sa policama ima graničnik, morate da podignete police nagore, a zatim ih možete izvaditi.
- Podesite ili očistite police prema vašim potrebama.



Čišćenje fioke za povrće

1. Uklonite sadržaj fioke. Uхватite ručku fioke za povrće i izvucite je do kraja, dok se ne zaustavi.
2. Podignite fioku za povrće i izvucite je povlačenjem.



SR

Prestanak rada

Nestanak struje:

U slučaju nestanka struje, čak i ako je to leti, hrana unutar uređaja može da se sačuva nekoliko sati; tokom nestanka struje, učestalost otvaranja vrata treba smanjiti i više ne stavljati svežu hranu u uređaj.

Dugotrajno nekorišćenje:

Uređaj treba isključiti i zatim očistiti; zatim ostaviti vrata otvorena kako bi se sprečio neprijatan miris.

Premeštanje:

Pre nego što premeštate frižider, izvadite sve predmete napolje, pričvrstite trakom staklene pregrade, držač povrća, fioku zamrzivača i sl., a zatim zategnite stopice za nivelisanje; zatvorite vrata i pričvrstite ih trakom. Tokom premeštanja, uređaj ne sme da se postavlja naopako ili horizontalno, niti da se trese; nagib tokom kretanja ne sme biti veći od 45°.

● PAŽNJA

Uređaj će neprekidno raditi nakon što se pokrene. Generalno, rad uređaja ne sme da se prekida, u suprotnom se vek trajanja može smanjiti.

OTKLANJANJE PROBLEMA

Sledeće jednostavne probleme može da reši korisnik. Ukoliko u tome ne uspete, pozovite postprodajno servisno odeljenje.

Problem	Mogući razlog
Uređaj ne radi	• Proverite da li je uređaj priključen na napajanje ili da li je utikač dobro priključen
	• Proverite da li je napon preizak
	• Proverite da li postoji prekid napajanja ili isključenje delimičnih kola
Miris	• Hranu koja odaje miris treba dobro umotati
	• Proverite da li ima trulih namirnica
	• Očistite unutrašnjost frižidera
Dugotrajni rad kompresora	• Dugotrajni rad frižidera je normalan leti kada je temperatura okoline visoka
	• Ne stavljajte previše hrane u uređaj odjednom
	• Hrana treba da se ohladi pre stavljanja u uređaj
Svetlo se ne pali	• Vrata se prečesto otvaraju
	• Proverite da li je frižider priključen na napajanje i da li je svetlo oštećeno
	• Neka svetlo zameni obučena osoba
Vrata se ne mogu dobro zatvoriti	• Ambalaža namirnica blokira vrata
	• Frižider je nagnut
Jaka buka	• Proverite da li je pod ravan i da li je frižider stabilno postavljen
	• Proverite da li je dodatna oprema pravilno postavljena

Problem	Mogući razlog
Zaptivka vrata nije čvrsta	<ul style="list-style-type: none"> • Uklonite strane materije na zaptivki vrata • Zagrejte zaptivku vrata, a zatim je ohladite za obnovu (ili je izduvajte električnim sušačem ili koristite vrući peškir za zagrevanje)
Posuda za vodu se preliva	<ul style="list-style-type: none"> • U odeljku ima previše hrane ili skladištena hrana sadrži previše vode, što dovodi do jačeg odmrzavanja • Vrata nisu dobro zatvorena, što dovodi do stvaranja ledenih naslaga, zbog ulaska vazduha i povećanja vode zbog odmrzavanja
Vruće kućište	<ul style="list-style-type: none"> • Odvođenje toplote ugrađenog kondenzatora preko kućišta, što je normalna pojava. Kada se kućište zagreje zbog visoke temperature okoline, skladištenja previše hrane ili isključivanja kompresora, obezbedite zvučnu ventilaciju kako biste olakšali odvođenje toplote
Površinska kondenzacija	<ul style="list-style-type: none"> • Kondenzacija na spoljašnjoj površini i zaptivkama vrata frižidera je normalna kad je vlažnost okoline prevelika. Dovoljno je da obrišete kondenzat čistim peškirom.
Neuobičajeni zvuk	<ul style="list-style-type: none"> • Zujanje: Kompresor može da proizvodi zujanje tokom rada, a zujanje je glasno, posebno prilikom pokretanja ili zaustavljanja. To je normalno. • Škripa: Rashladno sredstvo koje teče unutar uređaja može da proizvodi škripu, što je normalno.

DODATAK

Posebno za novi evropski standard

Poručene delove navedene u sledećoj tabeli možete nabaviti od dobavljača usluga

Naručeni deo	Dostavlja	Minimalno vreme potrebno za pružanje usluge
Termostati	Stručno osoblje za održavanje	Najmanje 7 godina od stavljanja posljednjeg modela na tržište
Senzori temperature	Stručno osoblje za održavanje	Najmanje 7 godina od stavljanja posljednjeg modela na tržište
Štampane ploče	Stručno osoblje za održavanje	Najmanje 7 godina od stavljanja posljednjeg modela na tržište
Izvor osvetljenja	Stručno osoblje za održavanje	Najmanje 7 godina od stavljanja posljednjeg modela na tržište
Ručice vrata	Profesionalni serviseri i krajnji korisnici	Najmanje 7 godina od stavljanja posljednjeg modela na tržište
Šarke vrata	Profesionalni serviseri i krajnji korisnici	Najmanje 7 godina od stavljanja posljednjeg modela na tržište
Tacne	Profesionalni serviseri i krajnji korisnici	Najmanje 7 godina od stavljanja posljednjeg modela na tržište
Korpe	Profesionalni serviseri i krajnji korisnici	Najmanje 7 godina od stavljanja posljednjeg modela na tržište
Zaptivke vrata	Profesionalni serviseri i krajnji korisnici	Najmanje 10 godina od stavljanja posljednjeg modela na tržište

Poštovani kupci

1. Ako želite da vratite ili zamenite proizvod, kontaktirajte prodavnicu u kojoj ste kupovali. (Ne zaboravite da ponesete račun za kupovinu)
2. Ako se vaš proizvod pokvari i treba da se popravi, kontaktirajte pružaoca postprodajne usluge.

PAŽNJA

Informacije o modelu u bazi podataka o proizvodima, kao i identifikator modela, mogu se saznati na linku koji se otvara kada se skenira QR kod na nalepnici o energetske efikasnosti na proizvodu.

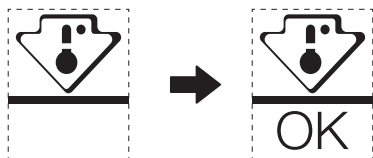
Za više informacija o energetske efikasnosti uređaja, posetite <https://ec.europa.eu> i pretražite koristeći naziv modela.

Naziv modela se može naći na etiketi uređaja.

Najhladnija zona u frižideru

OPCIJA: Indikator temperature OK

- Indikator temperature OK može da se koristi za određivanje temperatura ispod +4°C. Postepeno smanjite temperaturu ako znak ne pokazuje „OK“.



- Da bi se održavala ujednačena temperatura u ovoj oblasti, nemojte menjati položaj police. Kod frižidera sa protokom vazduha (uređaji sa ventilatorom ili modeli „bez zaleđivanja“) simbola najhladnije zone nema jer je temperatura unutrašnjosti svuda ista.

Indikator podešavanja temperature

- Da biste dobro podesili frižider, koristite indikator temperature koji prati prosečnu temperaturu u najhladnijoj zoni.
- UPOZORENJE:** Ovaj indikator je projektovan tako da funkcioniše samo sa vašim frižiderom. Nemojte ga koristiti za druge frižidere (najhladnija zona nije ista) niti u druge svrhe.

Provera temperature u najhladnijoj zoni

- Pomoću indikatora temperature možete redovno da proveravate da li je temperatura u najhladnijoj zoni ispravna. Unutrašnja temperatura frižidera zavisi od nekoliko činilaca, kao što su temperatura okruženja u prostoriji, količina hrane u uređaju i učestalost otvaranja vrata. Uzmite ove činioce u obzir kada podešavate uređaj.
- Kada se na indikatoru pokaže „OK“, to znači da je termostat dobro podešen i da je unutrašnja temperatura ispravna.
- Ukoliko indikator temperature postane BEO, to znači da je temperatura previsoka. U tom slučaju postavite podešavanje temperature frižidera na višu vrednost i sačekajte 12 sati, a zatim ponovo vizuelno proverite indikator. Kada u uređaj stavite sveže namirnice ili ostavite otvorena vrata, moguće je da će indikator temperature postati BEO posle nekog vremena.

DOKUMENTACIJA I SERTIFIKATI

Izjava o usaglašenosti

Ovim potvrđujemo da se sledeći nazivi modela kupca i nazivi Midea modela međusobno podudaraju.

Marka	Midea model	Marketinški model	Fabrički model
Midea	HD-403RWENJ	MDRB424FGE01I	CE-BCD310WE-JT
Midea	HD-403RWENJ	MDRB424FGE02I	CE-BCD310WE-JT

Naziv proizvođača:

Guangzhou Midea Hualing Refrigerator Co., Ltd.

Adresa proizvođača:

No. 5 Xinguangsi Road, Qianfeng Zhujiang, Nansha District, Guangzhou City, Guangdong Province, N.R. Kina

SR

Mi, Guangzhou Midea Hualing Refrigerator Co., Ltd., ovim izjavljujemo da su gorenavedeni proizvodi u skladu sa gore navedenim važećim propisima i standardima.

PISMO ZAHVALE

Hvala što ste odabrali Mideu! Prije korištenja novog proizvoda tvrtke Midea temeljito pročitajte ovaj priručnik kako biste bili sigurni da znate na siguran način upravljati značajkama i funkcijama svog novog aparata.

SADRŽAJ

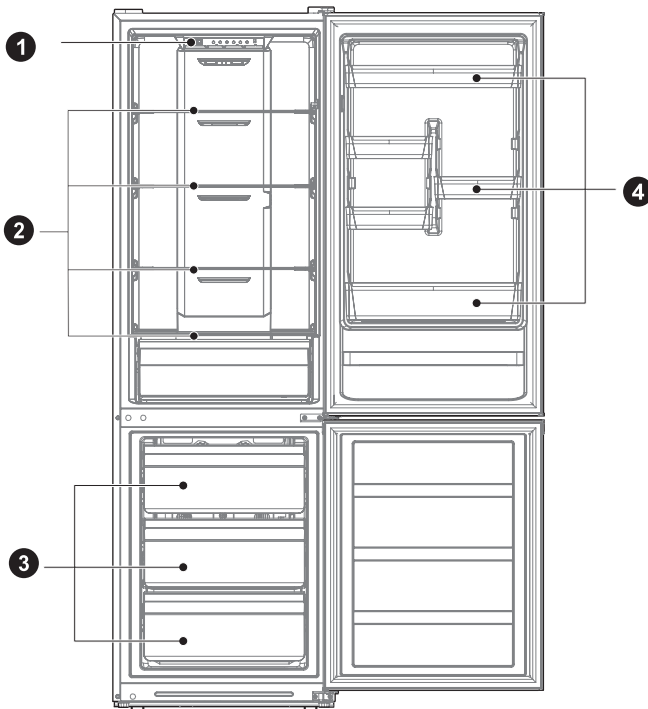
PISMO ZAHVALE	01
SPECIFIKACIJE	02
PREGLED PROIZVODA	03
UGRADNJA PROIZVODA	04
RADNE UPUTE	11
ČIŠĆENJE I ODRŽAVANJE	15
RJEŠAVANJE PROBLEMA	17
DODATAK	19
DOKUMENTI I CERTIFIKACIJE	21

SPECIFIKACIJE

Model proizvoda	MDRB424FGE01 MDRB424FGE02I
Kapacitet pretinca za pohranu svježe hrane	224 L
Volumen pohrane smerznute hrane	86 L
Vrsta	Automatsko odmrzavanje
Vrijeme povećanja temperature	8 h
Kapacitet zamrzavanja	3,9 kg/24h
Nazivni napon	220-240 V~
Nazivna jakost struje	0.8 A
Ukupne dimenzije (V x Š x D)	1880x595x630 mm

PREGLED PROIZVODA

Nazivi komponenata



1 Ladica

2 Polica

3 Ladica

4 Plitica u vratima

● PAŽNJA

Gornja slika služi samo kao referenca. Stvarna konfiguracija ovisit će o fizičkom proizvodu ili izjavi distributera.

HR

UGRADNJA PROIZVODA

Upute za ugradnju

Za rashladne uređaje s klimatskim razredom

- Ovisno o klimatskom razredu, ovaj rashladni uređaj namijenjen je uporabi u temperaturnim rasponima okoline kako je navedeno u sljedećoj tablici.
- Klimatski razred može se pronaći na natpisnoj pločici. Proizvod možda neće ispravno raditi na temperaturama izvan navedenog raspona.
- Klimatski razred možete pronaći na etiketi proizvoda.

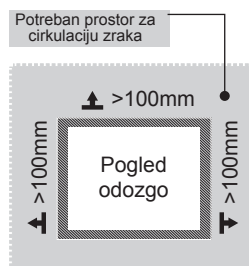
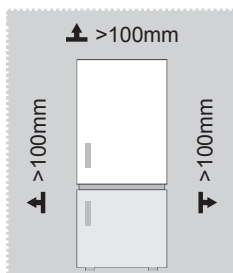
Učinkovit temperaturni raspon

- Proizvod je konstruiran za normalan rad u temperaturnom rasponu koji je određen ocjenom razreda.

Razred	Simbol	Raspon temperature okoline °C	
		IEC 62552 (ISO 15502)	ISO 8561
Prošireni umjereni	SN	+ 10 do + 32	+ 10 do + 32
Umjereni	N	+ 16 do + 32	+ 16 do + 32
Subtropski	ST	+ 16 do + 38	+ 18 do + 38
Tropski	T	+ 16 do + 43	+ 18 do + 43

Dimenzije i razmaci

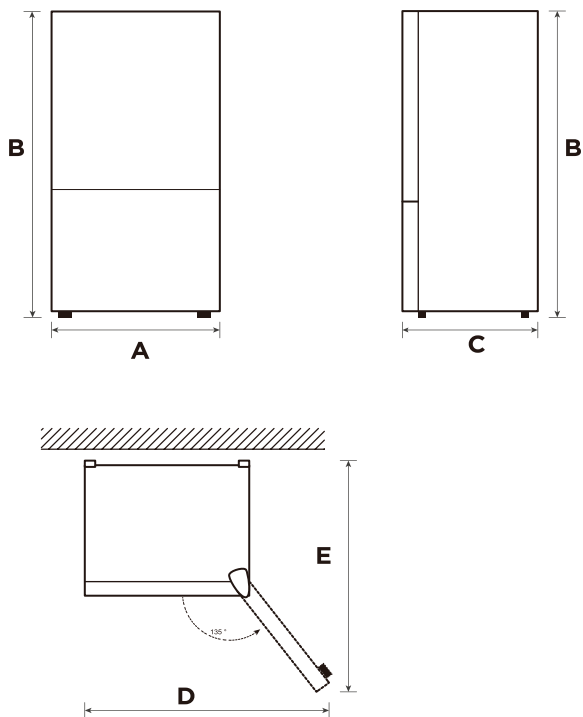
- Premala udaljenost od susjednih predmeta može dovesti do smanjenja sposobnosti zamrzavanja i povećanja troškova električne energije. Ostavite više od 100 mm slobodnog prostora od svakog susjednog zida kada postavljate uređaj.



PAŽNJA

Gornja slika služi samo kao referenca. Stvarna konfiguracija ovisit će o fizičkom proizvodu ili izjavi distributera.

Dijagram potrebnog prostora (kada su vrata otvorena i kada su vrata zatvorena)



HR

Širina	Ukupna visina	Dubina	Širina otvaranja vrata 135°	Dubina otvaranja vrata 135°
A	B	C	D	E
595	1880	630	988	1074

Napomena: Sve dimenzije u mm

Promjena vrata desno-lijevo (opcija)

Ovisno o mjestu na kojem planirate koristiti hladnjak, možda će vam biti zgodnije obrnuti položaj vrata.

OPREZ

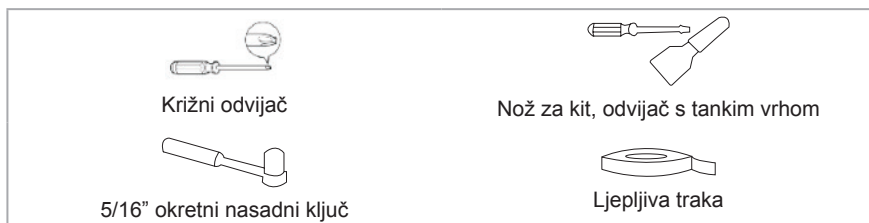
OPREZ: Kako biste izbjegli ozljede ili štetu na imovini, preporučujemo da vam netko pomogne tijekom okretanja vrata.

Priprema za promjenu položaja vrata

Trebate: standardni odvijač, križni odvijač i priloženi imbus ključ.

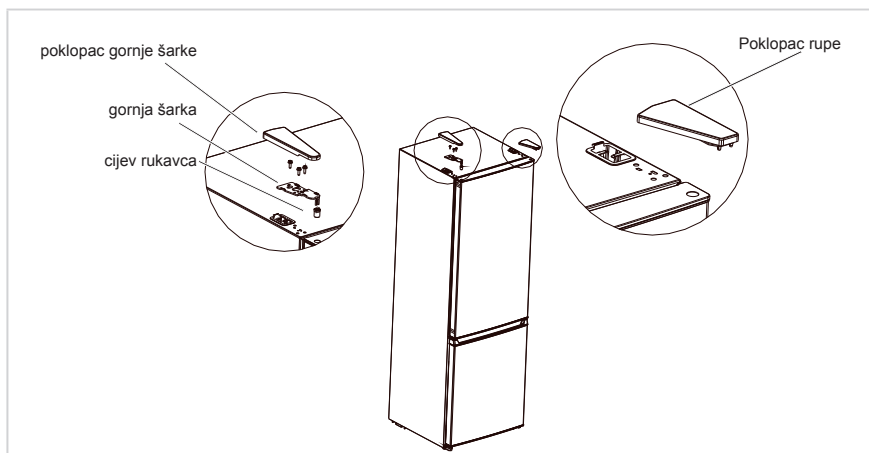
- Provjerite je li vaš hladnjak isključen i prazan.
- Neka vam netko pomogne.
- Sačuvajte sve dijelove koje ste uklonili kako biste ih kasnije mogli ponovno upotrijebiti.

Alati potrebni za promjenu vrata:

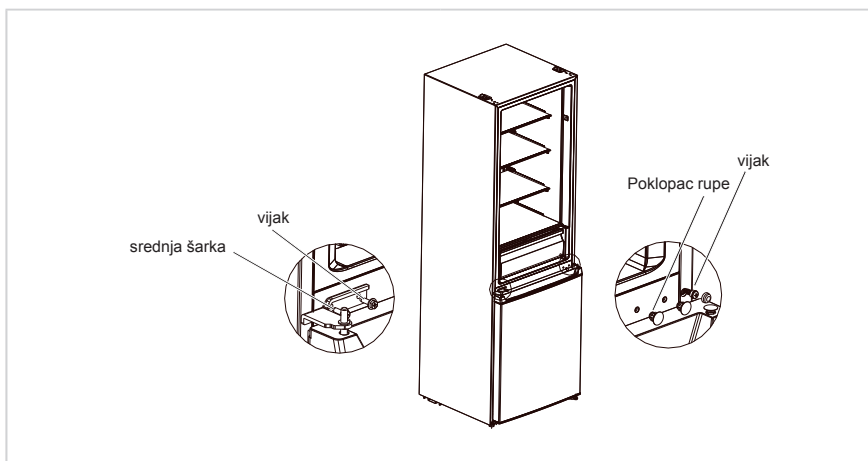


Korak

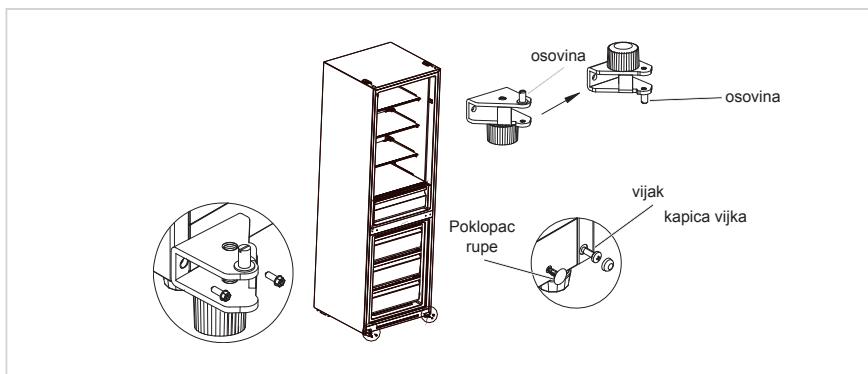
1. Isključite hladnjak i uklonite sve predmete s plitica u vratima.
2. Rastavite poklopac gornje šarke, odvojite signalne žice, gornju šarku i poklopac rupe s druge strane, a zatim uklonite vrata hladnjaka.



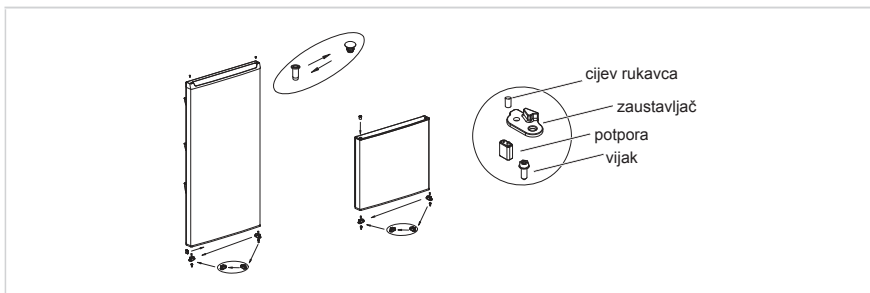
3. Rastavite srednju šarku, vijke, kapice rupa za vijke i uklonite vrata zamrzivača.



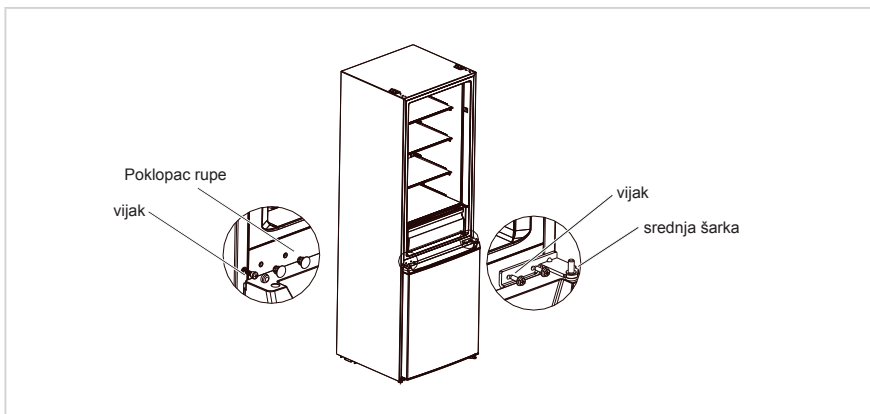
4. Rastavite donju šarku, kapice rupa i vijke, instalirajte osovinu donje šarke i namjestite podnožje na drugoj strani donje šarke, a zatim postavite šarku na drugu stranu.



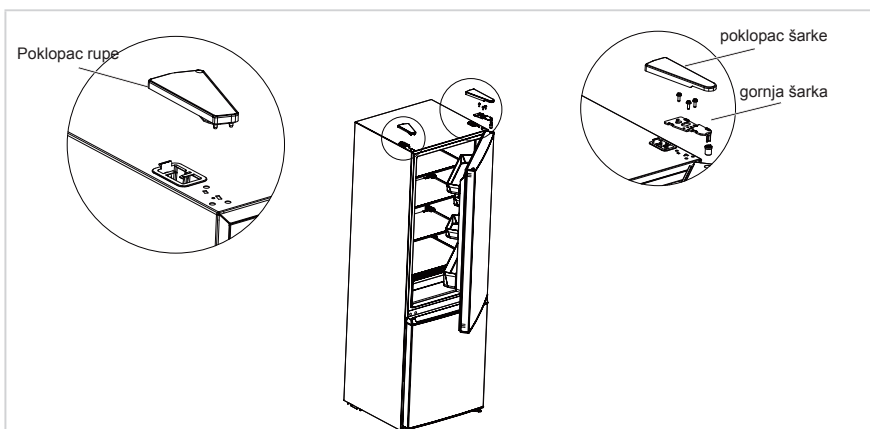
5. Skinite vijak, navlačnu cijev i čep s vrata hladnjaka i vrata zamrzivača, a zatim uklonite nosač na donjem poklopcu vrata hladnjaka. Zatim ih redom postavite s druge strane vrata. (Izvadite donji čep iz paketa pribora)
6. Zamijenite položaj navlačne cijevi i poklopca otvora na gornjem poklopcu vrata hladnjaka i postavite gornji naglavak šarke na vrata zamrzivača u rupu na drugoj strani rukavca osovine.



7. Stavite vrata zamrzivača na donju šarku, postavite srednju šarku, vijke i kapice rupa za vijke.



8. Stavite vrata hladnjaka na srednju šarku, postavite gornju šarku, poklopac šarke i poklopac otvora.



● PAŽNJA

Gornja slika služi samo kao referenca. Stvarna konfiguracija ovisit će o fizičkom proizvodu ili izjavi distributera.

Postavljanje

- Prije uporabe uklonite sav materijal za pakiranje, uključujući donje jastuke, jastučice od pjene i trake iz hladnjaka; otkinuti zaštitni film na vratima i kućištu hladnjaka.
- Držite dalje od topline i izbjegavajte izravnu sunčevu svjetlost. Ne stavljajte zamrzivač na vlažna ili vodena mjesta kako biste spriječili hrđu ili smanjili izolacijski učinak.
- Ne prskajte i ne perite hladnjak; ne stavljajte hladnjak na vlažna mjesta koja se lako prskaju vodom kako ne bi utjecala na svojstva električne izolacije hladnjaka.
- Hladnjak se postavlja na dobro prozračeno zatvoreno mjesto; tlo mora biti ravno i čvrsto (zakrenuti lijevo ili desno da podesite kotač za niveliranje ako je nestabilan).



Nožice za niveliranje

Kako biste izbjegli vibracije, uređaj treba poravnati.

Ako je potrebno, podesite vijke za poravnavanje kako biste kompenzirali neravnine poda.

Prednja strana treba biti malo viša od stražnje kako bi se olakšalo zatvaranje vrata.

Vijci za niveliranje mogu se lako okrenuti laganim naginjanjem kućišta.

Okrenite vijke za niveliranje u smjeru suprotnom od kazaljke na satu  za podizanje, a u smjeru kazaljke na satu  za spuštanje.

Premještanje uređaja

1. Uklonite svu hranu iz uređaja.
2. Izvucite utikač, umetnite ga i pričvrstite u kuku utikača na stražnjoj ili gornjoj strani uređaja.
3. Zalijepite dijelove kao što su police i ručka na vratima kako biste spriječili da otpadnu tijekom pomjeranja uređaja.
4. Pažljivo premještajte uređaj s više od dvije osobe. Kada prenosite uređaj na velike udaljenosti, držite ga uspravno.
5. Nakon postavljanja uređaja, uključite utikač u utičnicu kako biste uključili uređaj.

PAŽNJA

Mjere predostrožnosti prije rada:

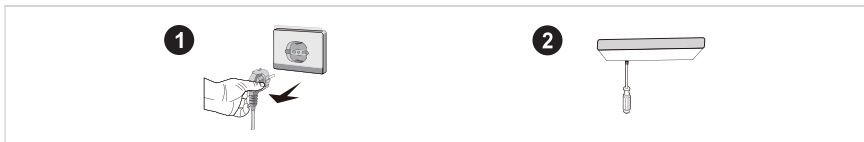
Prije izmjena hladnjak mora biti isključen iz struje. Treba poduzeti mjere opreza kako bi se spriječile ozljede.

Zamjena svjetiljke

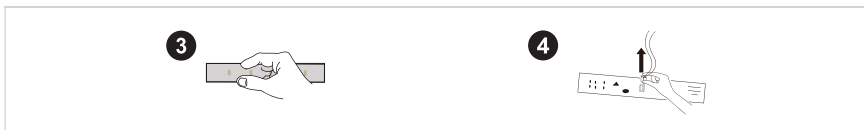
- Svaku zamjenu ili održavanje LED svjetiljki treba izvršiti proizvođač, njegov serviser ili slična kvalificirana osoba. Ovaj proizvod sadrži izvor svjetlosti klase energetske učinkovitosti <F>.

Korak

1. Prije vađenja izvadite utikač.
2. Uklonite sjenilo lampe odvijanjem.



3. Skinite ploču lampe.
4. Uklonite priključni terminal.



Priključivanje uređaja

Prije prvog pokretanja pustite da hladnjak miruje pola sata prije spajanja na napajanje.

● PAŽNJA

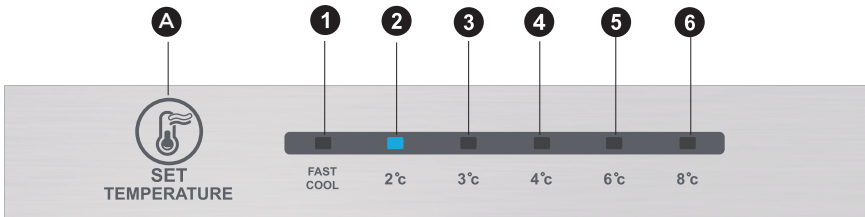
Prije stavljanja bilo kakve svježe ili smrznute hrane, hladnjak je trebao raditi 2-3 sata ili ljeti više od 4 sata kada je temperatura okoline visoka.

Savjeti za uštedu energije

- Uređaj bi trebao biti smješten u najhladnijem prostoru sobe, dalje od uređaja za proizvodnju topline ili kanala za grijanje i izvan izravne sunčeve svjetlosti.
- Ostavite vruću hranu da se ohladi na sobnu temperaturu prije stavljanja u uređaj. Preopterećenje uređaja prisiljava kompresor da dulje radi. Hrana koja se previše sporo smrzava može izgubiti kvalitetu ili se pokvariti.
- Pazite da hranu pravilno zamotate i posude dobro obrišite prije stavljanja u aparat. To smanjuje nakupljanje mraza u uređaju.
- Koš za odlaganje uređaja ne smije biti obložena aluminijskom folijom, voštanim papirom ili papirnatim ubrusom. Obloge ometaju cirkulaciju hladnog zraka, čineći uređaj manje učinkovitim.
- Organizirajte i označite hranu kako biste smanjili otvaranje vrata i produžena pretraživanja. Uklonite odjednom što više stvari i što prije zatvorite vrata.

UPUTE ZA RAD

Upravljačka ploča



● PAŽNJA

Gornja slika služi samo kao referenca. Stvarna konfiguracija ovisit će o fizičkom proizvodu ili izjavi distributera.

Tipka

A	Tipka za uključivanje/isključivanje alarma
---	--

Zaslon

1	postavka temperature 1
2	postavka temperature 2
3	postavka temperature 3
4	postavka temperature 4
5	postavka temperature 5
6	postavka temperature 6

Zaslon

Kada uključite hladnjak, zaslon (uključujući svjetlo tipke) svijetli potpuno 3 sekunde, a zatim hladnjak radi prema postavci temperature 3.

Prikaz normalnog rada

U slučaju kvara, odgovarajuće LED svjetlo daje kombinirani prikaz šifre greške (na zaslonu recikliranja);

Gdje nema greške, LED svjetlo prikazuje postojeću postavku temperature.

● PAŽNJA

Stvarna upravljačka ploča može se razlikovati ovisno o modelu.

Upute za rad

Postavka opreme

- Postavka temperature mijenja se jednom svaki put kada pritisnete tipku SET. Tada hladnjak radi s novom postavkom nakon 15 sekundi.

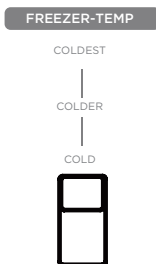
Postavka 1 → Postavka 2 → Postavka 3 → Postavka 4 → Postavka 5 → Postavka 6 → Postavka 1 →

Način brzog hlađenja:

- Unos: Način brzog hlađenja s promjenom cirkulacije.
- Način rada: Svijetli indikator brzog hlađenja, a hladnjak radi na 2 °C.
- Način brzog hlađenja automatski je onemogućen 24 sata.
- Funkcija brzog hlađenja može se koristiti kao funkcija super-zamrzavanja.

Podešavanje ručnog gumba prigušnika zraka

- Okrenite klizač prigušnika zraka prema gore i temperatura unutar zamrzivača će se smanjiti; okrenite klizač prigušnika zraka prema dolje i temperatura unutar zamrzivača će porasti.



Kod pogreške

- Sljedeća upozorenja koja se pojavljuju na zaslonu ukazuju na odgovarajuće kvarove hladnjaka. Iako hladnjak još uvijek može imati funkciju hlađenja i zamrzavanja sa sljedećim greškama, korisnik treba kontaktirati sa stručnjakom za održavanje radi održavanja te kako bi se omogućila normalna uporaba hladnjaka.

Oznaka kvara	Opis kvara
LED 1 i LED 2 svjetiljke svijetle	Krug senzora temperature hladnjaka
LED 1 i LED 3 svjetiljke svijetle	Senzor odmrzavanja zamrzivača
LED 1 i LED 4 svjetiljke svijetle	Senzor temperature okoline

● PAŽNJA

Napomena: Funkcija brzog zamrzavanja dizajnirana je za održavanje nutritivne vrijednosti hrane u zamrzivaču. Može zamrznuti hranu u najkraćem vremenu. Ako se odjednom zamrzne velika količina hrane, preporučuje se da korisnik uključi funkciju brzog zamrzavanja i stavi hranu. U tom trenutku povećava se brzina zamrzavanja odjeljka za zamrzavanje, što može brzo zamrznuti hranu, učinkovito očuvati nutritivnu vrijednost hrane i olakšati skladištenje.

Rashladna komora

- Rashladna komora prikladna je za skladištenje raznih vrsta voća, povrća, pića i druge hrane potrošene u kratkom roku, predloženo vrijeme skladištenja 3dana do 5dana.
- Hrana za kuhanje ne smije se stavljati u rashladnu komoru dok se ne ohladi na sobnu temperaturu.
- Hranu je preporučljivo zatvoriti prije stavljanja u hladnjak.
- Staklene police mogu se namjestiti gore ili dolje za razumnu količinu prostora za pohranu i jednostavnu uporabu.

Komora za zamrzavanje

- Komora za zamrzavanje na niskim temperaturama može dugo vremena održavati hranu svježom i uglavnom se koristi za skladištenje smrznute hrane i pravljenje leda.
- Komora za zamrzavanje prikladna je za skladištenje mesa, ribe, rižinih kuglica i ostale hrane koja se ne smije konzumirati u kratkom roku.
- Komade mesa poželjno je podijeliti na male komade radi brzog zamrzavanja i lakog pristupa. Napominjemo da će se hrana konzumirati u roku skladištenja.

PAŽNJA

Napomena: Pohrana prevelike količine hrane tijekom rada nakon početnog priključivanja na napajanje može negativno utjecati na učinak zamrzavanja hladnjaka.

Redoslijed	TIP pretinaca	Ciljana temp. pohrane [°C]	Prikladna hrana
1	Hladnjak	+2 ~ +8	Jaja, kuhana hrana, pakirana hrana, voće i povrće, mliječni proizvodi, kolači, pića i druga hrana nisu prikladni za zamrzavanje.
2	(***)*-Zamrzivač	≤-18	Morski plodovi (riba, škampi, školjke), proizvodi iz slatkovodnih voda i mesni proizvodi (preporučeno 3 mjeseca, što je duže vrijeme skladištenja, to je lošiji okus i nutritivna vrijednost), prikladno za smrznutu svježiju hranu.
3	***-Zamrzivač	≤-18	Morski plodovi (riba, škampi, školjke), proizvodi iz slatkovodnih voda i mesni proizvodi (preporučeno 3 mjeseca, što je duže vrijeme skladištenja, to je lošiji okus i nutritivna vrijednost), prikladno za smrznutu svježiju hranu.
4	** -Zamrzivač	≤-12	Morski plodovi (riba, škampi, školjke), proizvodi iz slatkovodnih voda i mesni proizvodi (preporučeno 3 mjeseca, što je duže vrijeme skladištenja, to je lošiji okus i nutritivna vrijednost), prikladno za smrznutu svježiju hranu.
5	*-Zamrzivač	≤-6	Morski plodovi (riba, škampi, školjke), proizvodi iz slatkovodnih voda i mesni proizvodi (preporučeno 3 mjeseca, što je duže vrijeme skladištenja, to je lošiji okus i nutritivna vrijednost), prikladno za smrznutu svježiju hranu.
6	0-zvezdica	-6 ~ 0	Svježa svinjetina, govedina, riba, piletina, pojedina pakirana prerađena hrana itd. (Preporuča se pojesti unutar istog dana, po mogućnosti ne više od 3 dana). Djelomično inkapsulirana prerađena hrana (hrana koja se ne zamrzava).
7	Hlađenje	-2 ~ +3	Svježa/smrznuta svinjetina, govedina, piletina, proizvodi iz slatkovodnih voda, itd. (7 dana ispod 0°C i iznad 0°C preporučuje se konzumacija unutar tog dana, po mogućnosti ne dulje od 2 dana). Plodovi mora (manje od 0 za 15 dana, ne preporučuje se čuvanje iznad 0°C).
8	Svježa hrana	0 ~ +4	Svježa svinjetina, govedina, riba, piletina, kuhana hrana itd. (Preporuča se pojesti unutar istog dana, najbolje ne duže od 3 dana)
9	Vino	+5 ~ +20	Crvena vina, bijela vina, pjenušci itd.

PAŽNJA

pohranite različite namirnice u skladu s odjeljcima ili ciljanom temperaturom skladištenja kupljene hrane.

ČIŠĆENJE I ODRŽAVANJE

Ukupno čišćenje

- Prah iza hladnjaka i na zemlji mora se pravovremeno očistiti kako bi se poboljšao učinak hlađenja i ušteda energije.
- Redovito provjeravajte brtvu vrata kako biste bili sigurni da nema smeća. Očistite brtvu vrata mekom krpom navlaženom vodom sa sapunicom ili razrijeđenim deterdžentom.
- Unutrašnjost hladnjaka treba redovito čistiti kako bi se izbjegao miris.
- Isključite napajanje prije čišćenja unutrašnjosti, uklonite svu hranu, piće, police, ladice itd.
- Mekom krpom ili spužvom očistite unutrašnjost hladnjaka s dvije žlice sode bikarbone i litru tople vode. Zatim isperite vodom i obrišite. Nakon čišćenja otvorite vrata i pustite da se prirodno osuši prije uključivanja napajanja.
- Za područja koja je teško očistiti u hladnjaku (poput uskih sendviča, praznina ili kutova), preporučuje se redovito ih brisati mekom krpom, mekom četkom itd. I po potrebi kombinirati s nekim pomoćnim alatima (poput tanki štapići) kako bi se osiguralo da se na tim područjima ne nakupljaju zagađivači ili bakterije.
- Ne koristite sapun, deterdžent, prašak za ribanje, sredstvo za čišćenje u spreju itd., jer to može uzrokovati mirise u unutrašnjosti hladnjaka ili onečišćenu hranu.
- Očistite okvir boca, police i ladice mekom krpom navlaženom sapunicom ili razrijeđenim deterdžentom. Osušite mekom krpom ili pustite da se prirodno osuši.
- Obrišite vanjsku površinu hladnjaka mekom krpom navlaženom vodom sa sapunicom, deterdžentom itd., a zatim je obrišite suhom krpom.
- Ne upotrebljavajte tvrde četke, čiste čelične kuglice, žičane četke, abrazive (poput pasta za zube), organska otapala (kao što su alkohol, aceton, ulje banane itd.), Kipuću vodu, kiseline ili alkalne predmete koji mogu oštetiti površinu hladnjaka. i unutrašnjost. Vrela voda i organska otapala poput benzena mogu deformirati ili oštetiti plastične dijelove.
- Tijekom čišćenja nemojte ispirati izravno vodom ili drugim tekućinama kako biste izbjegli kratki spoj ili utjecali na električnu izolaciju nakon potapanja.

PAŽNJA

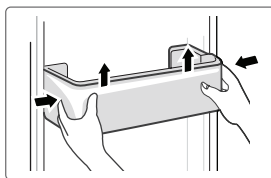
Molimo isključite hladnjak za odmrzavanje i čišćenje.

Odmrzavanje

- Hladnjak je proizveden na temelju hlađenja zrakom i stoga ima funkciju odmrzavanja. Inje nastalo zbog promjene godišnjeg doba ili temperature može se ukloniti i ručnim isključivanjem uređaja iz napajanja ili brisanjem suhim ručnikom.

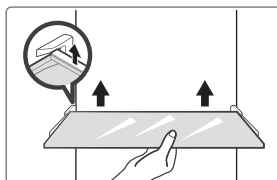
Čišćenje ladice vrata

- Prema strelici smjera na donjoj slici, upotrijebite obje ruke ladicu i gurnite je prema gore, a zatim je možete izvaditi.
- Nakon što ste izvadili ladicu, možete podesiti njenu visinu u skladu sa svojim zahtjevima.



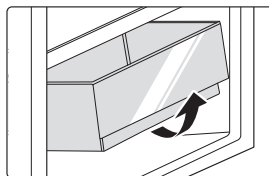
Čišćenje staklene police

- Kako unutarnji dio obloge hladnjaka gdje kontakt s policama ima zapornicu, podignite police prema gore, a zatim je možete izvaditi.
- Podesite ili očistite police prema vašim zahtjevima.



Čišćenje ladice za povrće

1. Izvadite sadržaj ladice. Držite ručku ladice za povrće i potpuno je izvucite dok se ne zaustavi.
2. Podignite ladicu za povrće i izvadite je izvlačenjem.



Van funkcije

Prekid napajanja:

U slučaju nestanka struje, čak i ljeti, hrana unutar uređaja može se držati nekoliko sati; tijekom nestanka struje, vrijeme otvaranja vrata smanjit će se i u uređaj se više neće stavljati svježja hrana.

Dugotrajna neuporaba:

Uređaj treba isključiti i zatim očistiti; tada vrata ostaju otvorena kako bi se spriječio miris.

Premještanje:

Prije premještanja hladnjaka izvadite sve predmete iznutra, pričvrstite trakom staklene pregrade, držač povrća, ladice komore za zamrzavanje i slično, te pritegnite nožice za izravnavanje; zatvorite vrata i popravite ih trakom. Tijekom premještanja, uređaj ne smije biti postavljen naopako ili vodoravno niti vibrirati. Nagib tijekom premještanja ne smije biti veći od 45°.

● PAŽNJA

Nakon pokretanja uređaj će neprekidno raditi. Načelno se rad uređaja ne smije prekidati jer se inače vijek njegova trajanja može smanjiti.

RJEŠAVANJE PROBLEMA

Sljedeće probleme možete pokušati riješiti sami. Ako ne uspijete, molimo da se obratite ovlaštenom servisu.

Problem	Mogući razlog
Neispravan rad	• Provjerite je li uređaj priključen na struju ili je li utikač ima kontakt.
	• Provjerite je li napon prenizak
	• Provjerite postoji li prekid napajanja ili su se isključili djelomični krugovi.
Neugodan miris	• Hrana s mirisom mora biti čvrsto zamotana.
	• Provjerite ima li trule hrane.
	• Očistite unutrašnjost hladnjaka.
Dugotrajni rad kompresora.	• Dugotrajni rad hladnjaka normalan je ljeti kada je temperatura okoline visoka.
	• Nije sugestivno imati previše hrane u uređaju istodobno.
	• Hrana će se ohladiti prije stavljanja u uređaj.
Svjetlo se ne pali	• Provjerite je li hladnjak priključen na napajanje i je li rasvjetno tijelo oštećeno.
	• Zamjenu svjetla prepustite stručnjaku
	• Vrata se prečesto otvaraju.
Vrata se ne mogu pravilno zatvoriti	• Vrata su zaglavljena paketima hrane
	• Hladnjak je nagnut.
Glasna buka	• Provjerite je li pod ravan i je li hladnjak stabilno postavljen.
	• Provjerite nalazi li se pribor na ispravnim mjestima

Problem	Mogući razlog
Brтва vrata nije čvrsta	<ul style="list-style-type: none"> • Uklonite strane stvari na brtvi vrata. • Zagrijte brtvu vrata, a zatim je ohladite za restauraciju (ili je ispuhnite električnim sušilom ili koristite vrući ručnik za zagrijavanje).
Posuda za vodu se prelijeva	<ul style="list-style-type: none"> • U komori ima previše hrane ili skladištena hrana sadrži previše vode, što rezultira jakim odmrzavanjem. • Vrata nisu ispravno zatvorena, što rezultira zamrzavanjem zbog ulaska zraka i povećanom količinom vode zbog odmrzavanja
Vruće kućište	<ul style="list-style-type: none"> • Odvođenje topline ugrađenog kondenzatora preko kućišta, što je normalno Kada se kućište zagrije zbog visoke temperature okoline, skladištenja previše hrane ili isključivanja kompresora, osigurajte zvučnu ventilaciju kako biste olakšali odvođenje topline
Površinska kondenzacija	<ul style="list-style-type: none"> • Kondenzacija na vanjskoj površini i brtvama vrata hladnjaka normalna je kad je vlažnost okoline previsoka. Dovoljno je obrisati kondenzat čistim ručnikom.
Neuobičajena buka	<ul style="list-style-type: none"> • Zvuk zujanja: Kompresor može stvarati zvuk zujanja tijekom rada, koji je posebno jak pri pokretanju ili zaustavljanju. To je normalno. • Škripanje: Rashladno sredstvo koje teče unutar uređaja može uzrokovati škripanje što je normalno.

DODATAK

Posebno za novi europski standard

Naručeni dijelovi u sljedećoj tablici mogu se nabaviti putem kanala davatelja usluga

Naručeni dio	Pružatelj	Minimalno vrijeme potrebno za nabavu
Termostati	Stručno osoblje za održavanje	Najmanje 7 godina nakon što je posljednji model lansiran na tržište
Senzori temperature	Stručno osoblje za održavanje	Najmanje 7 godina nakon što je posljednji model lansiran na tržište
Tiskane pločice	Stručno osoblje za održavanje	Najmanje 7 godina nakon što je posljednji model lansiran na tržište
Izvor rasvjete	Stručno osoblje za održavanje	Najmanje 7 godina nakon što je posljednji model lansiran na tržište
Ručke na vratima	Profesionalni serviseri i krajnji korisnici	Najmanje 7 godina nakon što je posljednji model lansiran na tržište
Šarke na vratima	Profesionalni serviseri i krajnji korisnici	Najmanje 7 godina nakon što je posljednji model lansiran na tržište
Plitice	Profesionalni serviseri i krajnji korisnici	Najmanje 7 godina nakon što je posljednji model lansiran na tržište
Košare	Profesionalni serviseri i krajnji korisnici	Najmanje 7 godina nakon što je posljednji model lansiran na tržište
Brtve vrata	Profesionalni serviseri i krajnji korisnici	Najmanje 10 godina nakon što je posljednji model lansiran na tržište

Poštovani kupče

1. Ako želite vratiti ili zamijeniti proizvod, kontaktirajte trgovinu u kojoj kupujete.
(Ne zaboravite ponijeti račun za kupnju)
2. Ako se vaš proizvod pokvari i treba ga popraviti, kontaktirajte davatelja usluga nakon prodaje.

PAŽNJA

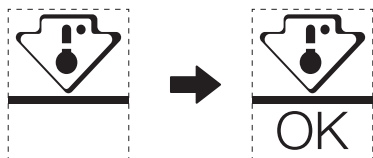
Informacije o modelu u bazi podataka o proizvodu, kao i identifikator modela, mogu se dobiti putem web-poveznice skenirane QR kodom, ako postoji, na naljepnici energetske učinkovitosti proizvoda. Za više informacija o energetske učinkovitosti uređaja posjetite <https://ec.europa.eu> i pretražite pomoću naziva modela.

Naziv modela nalazi se na oznaci uređaja.

Najhladnija zona u hladnjaku

DODATNO: OK-indikator temperature

- OK-indikator temperature može se koristiti za određivanje temperatura ispod +4°C. Postupno smanjite temperaturu ako znak ne pokazuje "OK".



- Kako biste osigurali temperaturu u tom području, nemojte mijenjati položaj police. Hladnjaci s hlađenjem pod pritiskom (opremljeni ventilatorom ili modeli bez inja), simbol najhladnije zone nije predstavljen jer je unutarnja temperatura homogena.

Postavka indikatora temperature

- Kao pomoć pri pravilnom postavljanju hladnjaka imate indikator temperature koji će pratiti prosječnu temperaturu u najhladnijoj zoni.
- UPOZORENJE: Ovaj indikator namijenjen je isključivo radu s vašim hladnjakom, nemojte ga koristiti na drugom hladnjaku (najhladnija zona nije ista) ili za drugu namjenu.

Provjera temperature u najhladnijoj zoni

- Indikator temperature omogućuje redovitu provjeru je li temperatura najhladnije zone točna. Zaista, unutarnja temperatura hladnjaka ovisi o nekoliko čimbenika kao što su temperatura u prostoriji, količina hrane i učestalost otvaranja vrata. Kod postavljanja uređaja razmotrite te čimbenike.
- Kad indikator prikazuje „OK“, to znači da je termostat dobro podešen i da je unutarnja temperatura točna.
- Ako indikator temperature postane BIJELI, to znači da je temperatura previsoka, u tom slučaju povećajte postavku kontrole temperature hladnjaka i pričekajte 12 sati prije novog vizualnog pregleda indikatora. Kad stavite svježiju hranu ili ostavite vrata otvorenima, moguće je da će nakon nekog vremena indikator postati BIJELI.

DOKUMENTI I CERTIFIKACIJE

Izjava o sukladnosti

Ovime potvrđujemo da se sljedeći nazivi modela kupaca i nazivi modela Midea međusobno podudaraju.

Robna marka	Midea Model	Marketinški model	Tvornički model
Midea	HD-403RWENJ	MDRB424FGE01I	CE-BCD310WE-JT
Midea	HD-403RWENJ	MDRB424FGE02I	CE-BCD310WE-JT

Naziv proizvođača: Guangzhou Midea Hualing Refrigerator Co., Ltd.
Adresa proizvođača: No. 5 Xinguangsi Road, Qianfeng Zhujiang, Okrug Nansha, Grad Guangzhou, Provincija Guangdong, NR Kina

Mi, Guangzhou Midea Hualing Refrigerator Co., Ltd., ovime izjavljujemo da su gore navedeni proizvodi u skladu s gore navedenim trenutno važećim propisima i standardima.

HR

ZAHVALNO PISMO

Hvala, ker ste izbrali Midea! Pred uporabo vašega novega izdelka Midea natančno preberite ta priročnik, da zagotovite varno upravljanje z lastnostmi in funkcijami, ki jih ponuja vaša nova naprava.

KAZALO

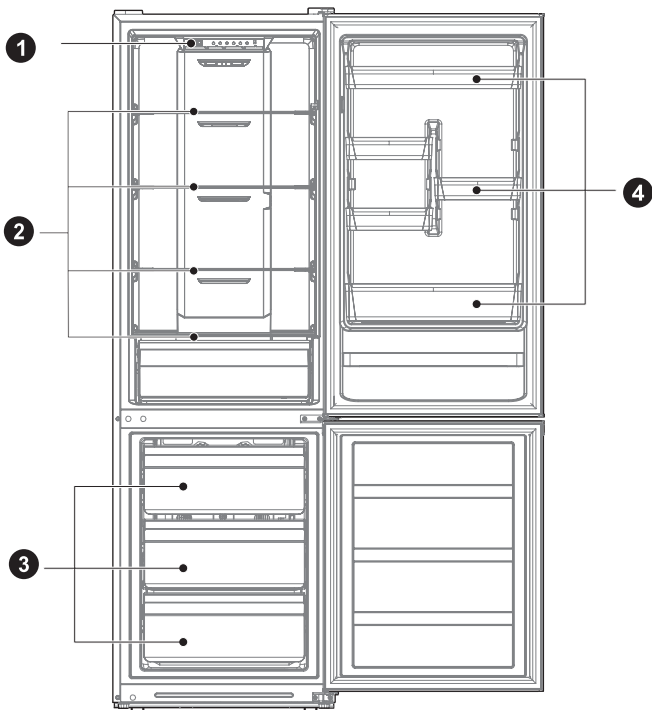
ZAHVALNO PISMO	01
SPECIFIKACIJE	02
PREGLED IZDELKA	03
NAMESTITEV IZDELKA	04
NAVODILA ZA UPORABO	11
ČIŠČENJE IN VZDRŽEVANJE	15
ODPRAVLJANJE TEŽAV	17
PRILOGA	19
DOKUMENTI IN CERTIFIKATI	21

SPECIFIKACIJE

Model izdelka	MDRB424FGE01 MDRB424FGE02I
Volumen prostora za shranjevanje sveže hrane	224 L
Volumen shranjevanja zamrznjene hrane	86 L
Vrsta odmrzovanja	Samodejno odtajanje
Čas povišanja temperature	8 h
Zmogljivost zamrzovanja	3,9 kg/24h
Nazivna napetost	220–240 V~
Nazivni tok	0,8 A
Skupna mera (V x Š x G)	1880 x 595 x 630 mm

PREGLED IZDELKA

Imena sestavnih delov



1 Predal

2 Polica

3 Predal

4 Pladenj za vrata

POZOR

Zgornja slika je samo za referenco. Dejanska konfiguracija je odvisna od fizičnega izdelka ali izjave distributerja.

NAMESTITEV IZDELKA

Navodila za namestitev

Za hladilne naprave s klimatskim razredom

- Odvisno od klimatskega razreda je ta hladilni aparat namenjen uporabi pri temperaturnih območjih okolja, kot je navedeno na napisni tablici.
- Klimatski razred najdete na napisni tablici. Izdelek morda ne bo deloval pravilno pri temperaturah zunaj določenega območja.
- Klimatski razred je označen na oznaki izdelka.

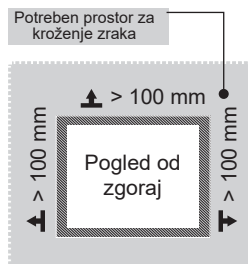
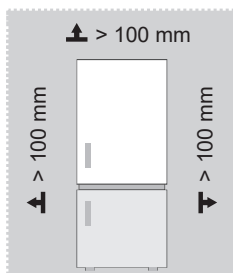
Učinkovito temperaturno območje

- Izdelek je zasnovan za normalno delovanje v temperaturnem območju, ki ga določa ocena razreda.

Razred	Simbol	Razpon temperature okolice °C	
		IEC 62552 (ISO 15502)	ISO 8561
Razširjeni zmerni	SN	+10 do +32	+10 do +32
Zmerni	N	+16 do +32	+16 do +32
Subtropski	ST	+16 do +38	+18 do +38
Tropski	T	+16 do +43	+18 do +43

Mere in razmiki

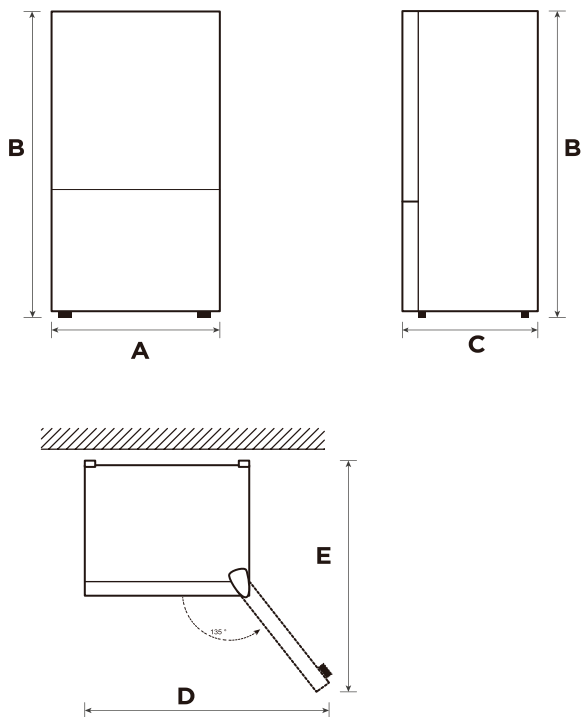
- Premajhna razdalja od bližnjih predmetov lahko povzroči poslabšanje zmogljivosti zamrzovanja in večje stroške elektrike. Pri namestitvi naprave pustite več kot 100 mm razmika od vsake sosednje stene.



POZOR

Zgornja slika je samo za referenco. Dejanska konfiguracija je odvisna od fizičnega izdelka ali izjave distributerja.

Diagram potrebnega prostora (ko so vrata odprta in ko so vrata zaprta)



SL

Širina	Skupna višina	Globina	Širina ob odprtih vratih 135°	Globina ob odprtih vratih 135°
A	B	C	D	E
595	1880	630	988	1074

Opomba: Vse mere so v mm

Zamenjava odpiranja vrat v smeri desno-levo (izbirno)

Glede na lokacijo, kjer boste hladilnik uporabljali, bo morda priročneje, če obrnete položaj namestitve vrat.

POZOR

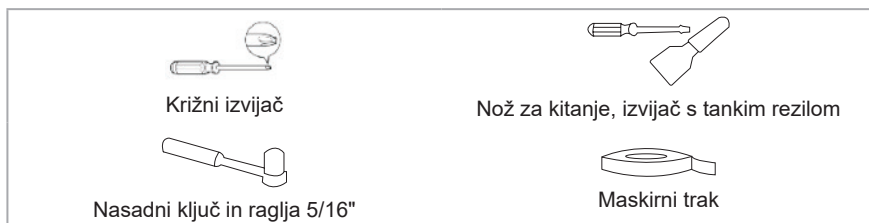
POZOR: Da se izognete poškodovanju sebe ali materialni škodi, priporočamo, da vam pri postopku zamenjave smeri odpiranja vrat pomaga druga oseba.

Priprava za zamenjavo položaja namestitve vrat

Potrebovali boste: standardni izvijač, križni izvijač in priloženi imbus ključ.

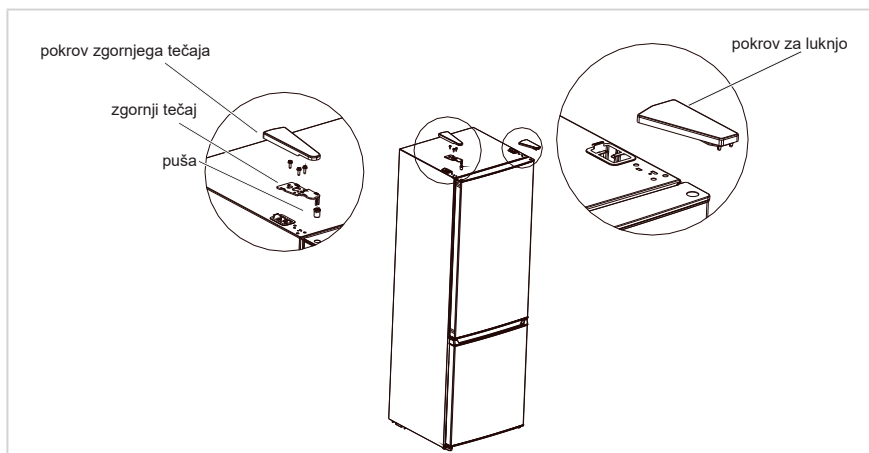
- Prepričajte se, da je hladilnik odklopljen z napajanja in prazen.
- Prosite nekoga, da vam pomaga pri postopku.
- Shranite vse odstranjene dele, da jih boste pozneje ponovno uporabili.

Orodje, potrebno za zamenjavo smeri odpiranja vrat:

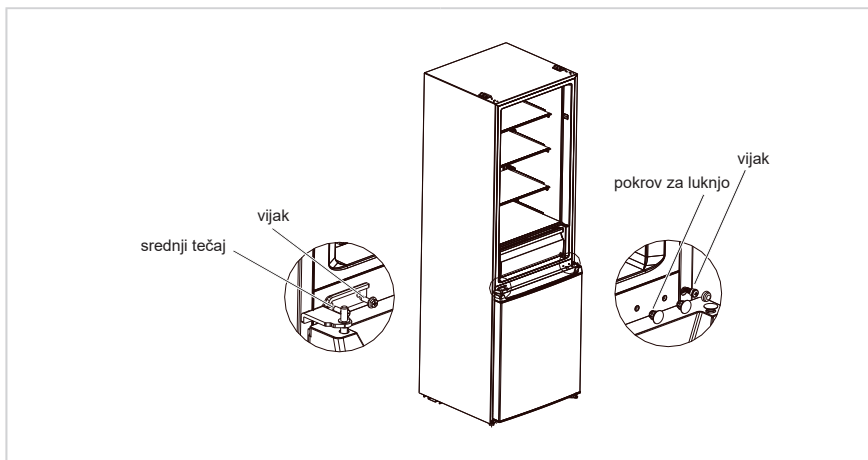


Koraki

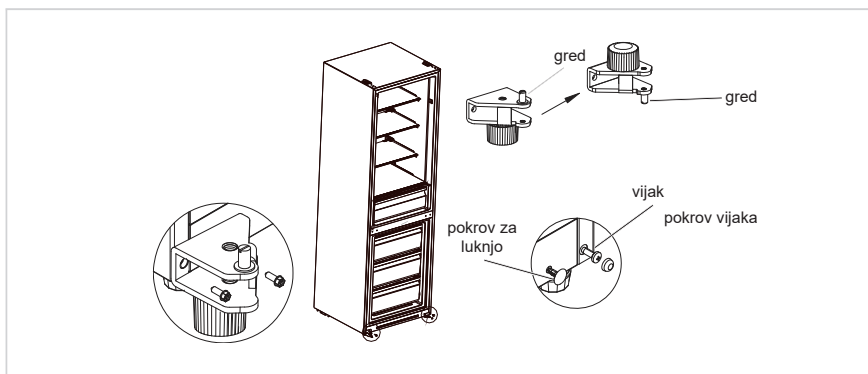
1. Izklopite hladilnik in odstranite vse predmete iz vratnih polic.
2. Razstavite zgornji pokrov tečajja, odklopite signalne žice, zgornji tečaj in pokrov za luknjo na drugi strani ter odstranite vrata hladilnika.



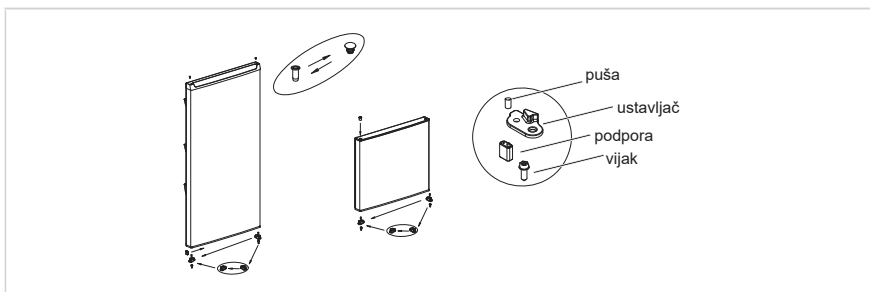
3. Razstavite srednji tečaj, vijake, pokrove za luknje vijakov in odstranite vrata zamrzovalnika.



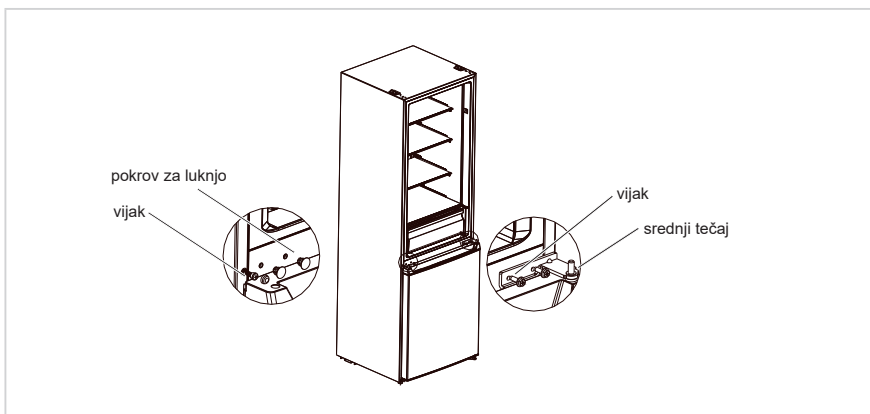
4. Razstavite spodnji tečaj, pokrove za luknje in vijake; namestite spodnjo tečajno gred in nastavitveno nogo na drugi strani spodnjega tečaja in nato namestite tečaj na drugi strani.



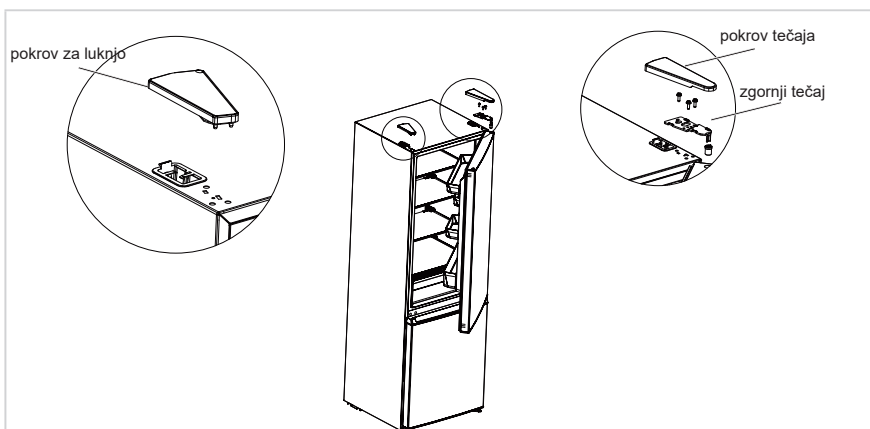
5. Razstavite vijak, pušo in zatič iz vrat hladilnika in zamrzovalnika ter odstranite tudi podporo na spodnjem pokrovu vrat hladilnika. Nato jih namestite na drugi strani vrat v enakem vrstnem redu. (Vzemite spodnji zatič iz paketa z dodatno opremo.)
6. Zamenjajte položaj puše in pokrova za luknjo na zgornjem pokrovu vrat hladilnika ter namestite pušo zgornjega tečaja na vratih zamrzovalnika v luknjo na drugi strani osne puše.



7. Položite vrata zamrzovalnika na spodnji tečaj, namestite srednji tečaj, vijake in pokrove za luknje vijakov.



8. Položite vrata hladilnika na srednji tečaj, namestite zgornji tečaj, pokrov tečaja in pokrov za luknjo.



SL

POZOR

Zgornja slika je samo za referenco. Dejanska konfiguracija je odvisna od fizičnega izdelka ali izjave distributerja.

Postavitev

- Pred uporabo odstranite ves embalažni material, vključno s spodnjimi blažilniki, penastimi blazinicami in trakovi v hladilniku; odstranite zaščitno folijo na vratih in ohišju hladilnika.
- Hladilnika ne postavite v bližini toplote in se izogibajte neposredni sončni svetlobi. Hladilnika ne postavite na vlažnem ali mokrem mestu, da preprečite rjavenje ali zmanjšanje izolacijskega učinka.
- Hladilnika ne pršite ali umivajte; hladilnika ne postavljajte na vlažna mesta, kjer lahko pride v stik z vodo, kar bi lahko vplivalo na električne izolacijske lastnosti hladilnika.
- Hladilnik postavite na dobro prezračено mesto v notranjih prostorih; tla morajo biti ravna in trpežna (če hladilnik ni stabilen, zavrtite izravnalne noge levo ali desno).



Izravnalne noge

Da se izognete vibracijam, mora biti enota poravnana.

Po potrebi prilagodite izravnalne vijake za izravnavo neravnih tal.

Sprednji del mora biti nekoliko višji od zadnjega dela za pomoč pri zapiranju vrat.

Izravnalne vijake lahko enostavno vrtite tako, da omarico nekoliko nagnete.

Izravnalne vijake zavrtite v nasprotni smeri urinega kazalca , da dvignete enoto, ali v smeri urinega kazalca , da jo spustite.

Premikanje naprave

1. Odstranite vso hrano iz naprave.
2. Izvlecite napajalni vtič ter ga vstavite in pritrdite na kavelj za napajalni vtič na zadnji strani ali na vrhu naprave.
3. Prilepite dele, kot so police in ročaj vrat, da preprečite njihov padec med premikanjem naprave.
4. Napravo morata previdno premakniti več kot dve osebi. Pri premikanju naprave na daljši razdalji naj naprava stoji pokončno.
5. Po namestitvi naprave priključite napajalni vtič v vtičnico za vklop naprave.

POZOR

Previdnostni ukrepi pred uporabo:

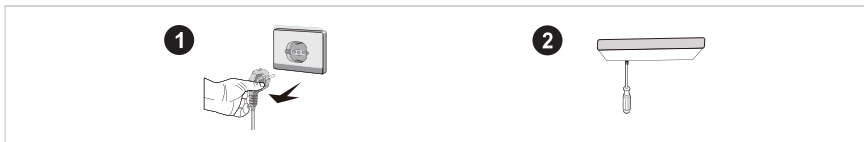
Pred opravljanjem sprememb morate hladilnik odklopiti z električnega napajanja. Izvesti morate previdnostne ukrepe, da preprečite telesne poškodbe.

Zamenjava luči

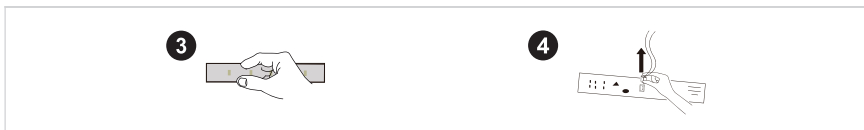
- Zamenjavo ali vzdrževanje LED-luči mora izvesti proizvajalec, njegov pooblaščen servisni zastopnik ali podobno usposobljena oseba. Ta izdelek vsebuje svetlobni vir razreda energetske učinkovitosti <F>.

Koraki

1. Pred odstranjevanjem izvlecite vtič.
2. Z izvijačem odstranite pokrov žarnice.



3. Odstranite ploščo luči.
4. Odstranite priključni terminal.



Priključitev naprave

Pred prvim vklopom mora hladilnik mirovati pol ure, preden ga priključite na električno napajanje.

POZOR

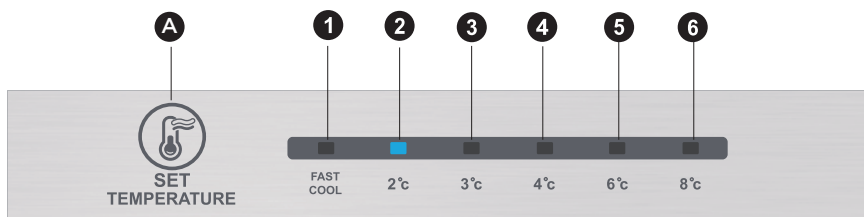
Preden v hladilnik postavite sveža ali zamrznjena živila, mora hladilnik delovati 2 do 3 ure oziroma več kot 4 ure poleti, ko je temperatura okolice visoka.

Nasveti za varčevanje z energijo

- Naprava mora biti postavljena v najbolj hladnem delu prostora, stran od naprav, ki oddajajo toploto, ali grelnih kanalov ter ne sme biti izpostavljena neposredni sončni svetlobi.
- Počakajte, da se vroča živila ohladijo na sobno temperaturo, preden jih postavite v napravo. Če napravo preveč naložite, mora kompresor delovati dlje. Živilo, ki zamrzne prepočasi, lahko izgubi kakovost ali se pokvari.
- Živila morate ustrezno zaviti in posode obrisati do suhega, preden jih postavite v napravo. S tem boste zmanjšali nabiranje leda v notranjosti naprave.
- Posode za shranjevanje v napravi ne smete obložiti z aluminijasto folijo, papirjem za peko ali papirnatimi brisačami. Obloge ovirajo kroženje hladnega zraka, zaradi česar je naprava manj učinkovita.
- Organizirajte in označite živila, da zmanjšate odpiranje vrat in daljša iskanja živil. Iz naprave vzemite vsa potrebna živila naenkrat in čim prej zaprite vrata.

NAVODILA ZA UPORABO

Nadzorna plošča



● POZOR

Zgornja slika je samo za referenco. Dejanska konfiguracija je odvisna od fizičnega izdelka ali izjave distributerja.

Tipka

A	Gumb za alarm / vklop/izklop naprave
---	--------------------------------------

Prikazni zaslon

1	nastavitev temperature 1
2	nastavitev temperature 2
3	nastavitev temperature 3
4	nastavitev temperature 4
5	nastavitev temperature 5
6	nastavitev temperature 6

Zaslon

Ob vklopu hladilnika bo zaslon (vključno z lučko tipk) zasvetil za 3 sekunde, nato pa hladilnik deluje glede na nastavitev temperature 3.

Prikaz običajnega delovanja

V primeru napake bo ustrezna LED-lučka kombinirano prikazala kodo napake.

Če ni napake, bo LED-lučka prikazovala obstoječo nastavitev temperature.

● POZOR

Dejanska nadzorna plošča se lahko razlikuje glede na model.

Navodila za upravljanje

Nastavitev naprave

- Nastavitev temperature se spremeni ob vsakem pritisku tipke SET (Nastavitev). Nato začne hladilnik delovati po vrednosti nove nastavitve čez 15 sekund.

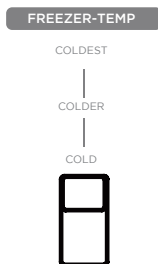
Nastavitev 1 → Nastavitev 2 → Nastavitev 3 → Nastavitev 4 → Nastavitev 5 → Nastavitev 6 → Nastavitev 1 →

Način hitrega hlajenja:

- Vklop: kroženje modulacije načina hitrega hlajenja.
- Delovanje: indikator hitrega hlajenja zasveti in hladilnik deluje s temperaturo 2 °C.
- Način hitrega hlajenja se samodejno izklopi po 24 urah.
- Funkcija hitrega hlajenja se lahko uporabi kot funkcija super zamrzovanja.

Gumb za ročno nastavitev zračne lopute

- Če drsnik zračne lopute premaknete navzgor, se bo dejanska temperatura v predelu zamrzovalnika znižala, če pa drsnik zračne lopute premaknete navzdol, se bo dejanska temperatura v predelu zamrzovalnika dvignila.



Koda napake

- Naslednja opozorila, ki se prikažejo na zaslonu, prikazujejo ustrezne napake hladilnika. Čeprav v primeru naslednjih napak hladilnik še vedno ohranja funkcijo hlajenja in zamrzovanja, pa se mora uporabnik obrniti na strokovnjaka za vzdrževanje za zagotovitev normalnega delovanja hladilnika.

Koda napake	Opis napake
Lučki LED 1 in LED 2 svetita	Vezje senzorja temperature v hladilniku
Lučki LED 1 in LED 3 svetita	Senzor odtajanja v zamrzovalniku
Lučki LED 1 in LED 4 svetita	Senzor temperature okolice

● POZOR

Opomba: Funkcija hitrega zamrzovanja je zasnovana za ohranjanje hranilne vrednosti hrane v zamrzovalniku. Hrano lahko zamrzne v najkrajšem možnem času. Če je potrebno naenkrat zamrzniti večjo količino hrane, je priporočljivo, da uporabnik vklopi funkcijo hitrega zamrzovanja in vstavi živila. Takrat se poveča hitrost zamrzovanja predela zamrzovalnika, kar lahko hitro zamrzne hrano, učinkovito ohrani hranilne vrednosti živil in olajša shranjevanje.

Predel za hlajenje

- Predel za hlajenje je primeren za shranjevanje različnega sadja, zelenjave, pijač in drugih živil, ki jih boste zaužili v kratkem času, predlagani čas shranjevanja je 3 do 5 dni.
- Kuhanih živil ne postavljajte v predel za hlajenje, dokler se ne ohladijo na sobno temperaturo.
- Priporočljivo je, da živila zatesnite, preden jih postavite v hladilnik.
- Steklene police lahko prilagodite navzgor ali navzdol za ustrezen prostor za shranjevanje in enostavno uporabo.

Predel zamrzovalnika

- Predel zamrzovalnika z nizko temperaturo ohranja živila sveža dlje časa in se uporablja predvsem za shranjevanje zamrznjenih živil in izdelavo ledu.
- Predel zamrzovalnika je primeren za shranjevanje mesa, rib, riževih kroglic in drugih živil, ki jih ne boste zaužili v kratkem času.
- Priporočljivo je, da večje kose mesa razdelite na manjše dele za hitro zamrzovanje in enostaven dostop. Upoštevajte, da morate živila porabiti pred iztekom roka uporabe.

POZOR

Opomba: Če v napravo hranite preveč živil po začetni priključitvi na napajanje, lahko to negativno vpliva na učinek zamrzovanja hladilnika.

Št.	VRSTA predela	Ciljna temp. shranjevanja [°C]	Primerna živila
1	Hladilnik	+2 ~ +8	Jajca, kuhana hrana, pakirana živila, sadje in zelenjava, mlečni izdelki, torte, pijače in druga živila, ki niso primerna za zamrzovanje.
2	(***)* – zamrzovalnik	≤-18	Morski sadeži (ribe, kozice, školjke), sladkovodne ribe in mesni izdelki (priporočeni čas shranjevanja 3 mesece, daljši kot je čas shranjevanja, slabša bosta okus in hranilne vrednosti), primerno za zamrzovanje svežih živil.
3	*** – zamrzovalnik	≤-18	Morski sadeži (ribe, kozice, školjke), sladkovodne ribe in mesni izdelki (priporočeni čas shranjevanja 3 mesece, daljši kot je čas shranjevanja, slabša bosta okus in hranilne vrednosti), primerno za zamrzovanje svežih živil.
4	** – zamrzovalnik	≤-12	Morski sadeži (ribe, kozice, školjke), sladkovodne ribe in mesni izdelki (priporočeni čas shranjevanja 3 mesece, daljši kot je čas shranjevanja, slabša bosta okus in hranilne vrednosti), primerno za zamrzovanje svežih živil.
5	* – zamrzovalnik	≤-6	Morski sadeži (ribe, kozice, školjke), sladkovodne ribe in mesni izdelki (priporočeni čas shranjevanja 3 mesece, daljši kot je čas shranjevanja, slabša bosta okus in hranilne vrednosti), primerno za zamrzovanje svežih živil.
6	0 zvezdic	-6 ~ 0	Sveža svinjina, govedina, ribe, piščanec, nekatera pakirana predelana živila itd. (priporočeno zaužitje v istem dnevu, po možnosti pa v največ 3 dneh). Delno zaprta predelana živila (živila, ki niso primerna za zamrzovanje).
7	Hlajenje	-2 ~ +3	Sveža/zamrznjena svinjina, govedina, piščanec, sladkovodne ribe itd. (7 dni pod temperaturo 0 °C in nad 0 °C je priporočeno zaužiti v istem dnevu, po možnosti pa po največ 2 dneh). Morski sadeži (manj kot 0 za 15 dni, priporočeno je shranjevanje nad temperaturo 0 °C).
8	Sveža živila	0 ~ +4	Sveža svinjina, govedina, ribe, piščanec, kuhana hrana itd. (priporočeno zaužitje v istem dnevu, po možnosti pa v največ 3 dneh).
9	Vino	+5 ~ +20	Rdeče vino, belo vino, peneče vino itd.

POZOR

Različna živila shranjujte v ustreznih predelih ali pri ciljni temperaturi shranjevanja.

ČIŠČENJE IN VZDRŽEVANJE

Splošno čiščenje

- Prah za hladilnikom in na tleh redno čistite za izboljšanje učinka hlajenja in varčevanje z energijo.
- Redno preverjajte tesnilo vrat, da se prepričate, da na njem ni ostankov. Tesnilo vrat očistite z mehko krpo, navlaženo z milnico ali razredčenim detergentom.
- Redno čistite notranjost hladilnika, da preprečite neprijetne vonjave.
- Pred čiščenjem notranjosti hladilnika izklopite napajanje, odstranite vso hrano, pijačo, police, predale itd.
- Notranjost hladilnika očistite z mehko krpo ali gobico, z dvema jedilnima žlicama sode bikarbone in približno litrom tople vode. Nato sperite z vodo in obrišite do čistega. Po čiščenju odprite vrata in pustite, da se naravno posuši, preden vklopite napajanje.
- Priporočljivo je, da območja v hladilniku, ki jih je težko očistiti (kot so ozki predeli, vrzeli ali vogali), redno brišete z mehko krpo, mehko ščetko ipd., in ko je potrebno, skupaj s pomožnimi orodji (na primer tankimi palčkami), da zagotovite, da se v teh območjih ne nabirajo onesnaževalci ali bakterije.
- Ne uporabljajte mila, detergenta, praška za drgnjenje, čistila v razpršilu ipd., saj lahko ti izdelki povzročijo neprijetne vonjave v notranjosti hladilnika ali kontaminirajo živila.
- Ogrodje za steklenice, police in predale očistite z mehko krpo, navlaženo z milnico ali razredčenim detergentom. Obrišite z mehko krpo ali pustite, da se naravno posuši.
- Zunanje površine hladilnika obrišite z mehko krpo, navlaženo z milnico, detergentom ipd., nato pa obrišite do suhega.
- Ne uporabljajte trdih ščetk, čistilnih jeklenih kroglic, žičnih krtač, abrazivnih sredstev (kot so paste za zobe), organskih topil (kot so alkohol, aceton, bananino olje ipd.), vrele vode, kislin ali alkalnih izdelkov, ki lahko poškodujejo površino in notranjost hladilnika. Vrela voda in organska topila, kot je benzen, lahko deformirajo ali poškodujejo plastične dele.
- Med čiščenjem ne izpirajte neposredno z vodo ali drugimi tekočinami, da preprečite kratke stike ali vplivanje na električno izolacijo po potopitvi.

POZOR

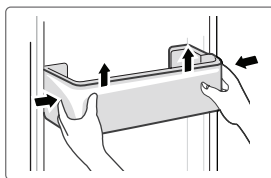
Za odtajanje in čiščenje hladilnik odklopite z napajanja.

Odtajanje

- Hladilnik je izdelan na osnovi principa zračnega hlajenja in ima tako funkcijo samodejnega odtajanja. Zmrzal, ki nastane zaradi spremembe letnega časa ali temperature, lahko tudi ročno odstranite tako, da napravo odklopite z napajanja ali da ga obrišete s suho brisačo.

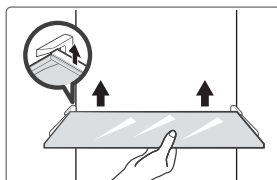
Čiščenje pladnjev za vrata

- Kot prikazujejo smerne puščice na spodnji sliki, z obema rokama stisnite pladenj in ga potisnite navzgor, da ga odstranite.
- Potem ko ste očistili pladenj, ki ste ga vzeli ven, lahko prilagodite njegovo višino namestitve glede na vaše zahteve.



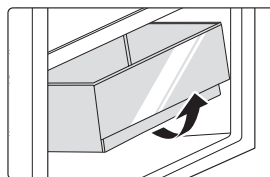
Čiščenje steklene police

- V najbolj notranjem delu hladilnika se na polici nahaja zadnje varovalo, kjer se police dotikajo hladilnika; police morate dvigniti navzgor, da jih boste lahko odstranili.
- Police očistite ali jih prilagodite glede na vaše zahteve.



Čiščenje predala za zelenjavo

1. Odstranite vsebino predala. Primite ročaj predala za zelenjavo in ga povem izvlecite, dokler se ne zaustavi.
2. Dvignite predal za zelenjavo in ga odstranite, tako da ga izvlečete.



Nedelovanje

Izpad napajanja:

V primeru izpada napajanja lahko živila v notranjosti naprave hranite več ur, tudi poleti. Med trajanjem izpada napajanja zmanjšajte število odpiranja vrat in v napravo ne postavljajte novih svežih živil.

Dolgotrajna neuporaba:

Napravo morate odklopiti z napajanja in jo nato očistiti. Nato pustite odprta vrata, da preprečite neprijetne vonjave.

Premikanje:

Pred premikanjem hladilnika iz njega odstranite vse predmete, pritrdite steklene pregrade, predal za zelenjavo, predale v predelu zamrzovalnika in podobno s trakom ter privijte izravnalne noge. Zaprite vrata in jih pritrdite s trakom. Med premikanjem naprave ne smete položiti obrnjene od zgoraj navzdol ali vodoravno in je ne smete tresti; naklon med premikanjem naprave ne sme preseči 45°.

● POZOR

Ko napravo zaženete, mora delovati neprekinjeno. Delovanja naprave načeloma ne smete prekinjati, saj lahko to negativno vpliva na njeno življenjsko dobo.

ODPRAVLJANJE TEŽAV

Naslednja preprosta vprašanja lahko reši uporabnik. Če težave ne odpravite, pokličite servis.

Težava	Možen vzrok
Naprava ne deluje	• Preverite, ali je naprava priključena na napajanje ali če ima vtič dober stik v vtičnici
	• Preverite, ali je napetost prenizka
	• Preverite, ali je prišlo do izpada napajanja ali izpada delnih tokokrogov
Neprijeten vonj	• Živila z močnim vonjem morajo biti trdno ovita
	• Preverite, ali je v napravi pokvarjeno živilo
	• Očistite notranjost hladilnika
Dolgotrajno delovanje kompresorja	• Dolgotrajno delovanje hladilnika je običajno poleti, ko je temperatura okolice visoka
	• Priporočljivo je, da v napravi ni preveč živil hkrati
	• Živila se morajo ohladiti, preden jih postavite v napravo
	• Vrata se prepogosto odpirajo
Luč se ne vklopi	• Preverite, ali je hladilnik priključen na napajanje in ali je luč poškodovana
	• Luč naj zamenja strokovnjak
Vrat ni mogoče pravilno zapreti	• Vrata so se zataknila s paketi hrane
	• Hladilnik je nagnjen.
Glasi hrup	• Preverite, ali so tla ravna in ali je hladilnik stabilno postavljen
	• Preverite, ali je dodatna oprema nameščena na ustreznih mestih

Težava	Možen vzrok
Tesnila vrat ne tesnijo	<ul style="list-style-type: none"> • Odstranite tujke s tesnil vrat • Segrejte tesnilo vrat in ga nato ohladite za obnovev (ali ga popihajte z električnim sušilnikom ali uporabite vročo brisačo za segretje)
Izlivanje iz posode z vodo	<ul style="list-style-type: none"> • V predelu je preveč živil ali pa shranjena živila vsebujejo preveč vode, kar povzroči močno odtajanje • Vrata niso pravilno zaprta, kar povzroči nabiranje ledu zaradi vstopa zraka in povečanje količine vode zaradi odtajanja
Vroče ohišje	<ul style="list-style-type: none"> • Razpršitev toplote vgrajenega kondenzatorja preko ohišja, kar je normalno. Ko se ohišje močno segreje zaradi visoke temperature okolice, shranjevanja preveč živil ali izklopa kompresorja, pride do prezračevanja za lažjo razpršitev toplote.
Kondenzacija na površini	<ul style="list-style-type: none"> • Kondenzacija na zunanji površini in tesnilih vrat hladilnika je normalna, kadar je vlažnost v okolici previsoka. Kondenzat obrišite s čisto brisačo.
Neobičajen hrup	<ul style="list-style-type: none"> • Brnenje: Kompresor lahko med delovanjem oddaja brnenje, to brnenje pa je glasno zlasti ob začetku ali ustavitvi delovanja. To je normalno. • Škripanje: Hladilna tekočina, ki se pretaka v notranjosti naprave, lahko povzroči škripanje, kar je normalno.

PRILOGA

Posebna določila za nov evropski standard

Naročene dele v naslednji tabeli lahko pridobite od kanala ponudnika storitev

Naročeni del	Zagotovi ga	Minimalni čas, zahtevan za zagotavljanje dela
Termostati	Pooblaščen servis	Najmanj 7 let po začetku prodaje zadnjega modela
Senzorji temperature	Pooblaščen servis	Najmanj 7 let po začetku prodaje zadnjega modela
Plošče tiskanega vezja	Pooblaščen servis	Najmanj 7 let po začetku prodaje zadnjega modela
Vir svetlobe	Pooblaščen servis	Najmanj 7 let po začetku prodaje zadnjega modela
Ročaji vrat	Profesionalni serviserji in končni uporabniki	Najmanj 7 let po začetku prodaje zadnjega modela
Tečaji vrat	Profesionalni serviserji in končni uporabniki	Najmanj 7 let po začetku prodaje zadnjega modela
Pladnji	Profesionalni serviserji in končni uporabniki	Najmanj 7 let po začetku prodaje zadnjega modela
Košare	Profesionalni serviserji in končni uporabniki	Najmanj 7 let po začetku prodaje zadnjega modela
Tesnila vrat	Profesionalni serviserji in končni uporabniki	Najmanj 10 let po začetku prodaje zadnjega modela

Spoštovani kupec

1. Če želite vrniti ali zamenjati izdelek, se obrnite na prodajalno, v kateri ste ga kupili. (S sabo morate prinesiti račun o nakupu)
2. Če se vaš izdelek pokvari in potrebuje popravilo, se obrnite na ponudnika poprodajnih storitev.

POZOR

Podatke o modelu v podatkovni bazi izdelka in identifikator modela lahko dobite prek spletne povezave, ki jo dobite s skeniranjem QR-kode (če obstaja) na nalepki o energetske učinkovitosti izdelka.

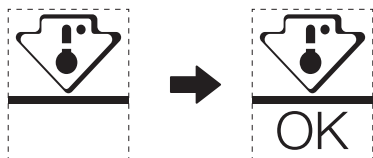
Za več informacij o energetske učinkovitosti naprave obiščite <https://ec.europa.eu> in iščite z uporabo imena modela.

Ime modela najdete na nazivni oznaki naprave.

Najhladnejše območje v hladilniku

IZBIRNO: OK-indikator temperature

- OK-indikator temperature se lahko uporabi za določitev temperature pod +4 °C. Če znak ne prikazuje "OK", postopoma znižujte temperaturo.



- Da zagotovite ustrezno temperaturo v tem območju, ne spreminjajte položaja police. Pri hladilnikih z dovajanjem zraka (modeli, opremljeni z ventilatorjem ali modeli Brez Zamrzovanja) simbol za najhladnejše območje ni prisoten, saj je temperatura v njih homogena.

Nastavitev indikatorja temperature

- Za lažjo nastavitev hladilnika je ta opremljen z indikatorjem temperature, ki spremlja povprečno temperaturo najhladnejšega območja.
- OPOZORILO: Ta indikator je namenjen delovanju samo z vašim hladilnikom, ne uporabljajte ga v drugem hladilniku (najhladnejše območje pravzaprav ni enako) ali za nobeno drugo uporabo.

Preverjanje temperature v najhladnejšem območju

- Z indikatorjem temperature lahko redno preverjate, da je temperatura najhladnejšega območja pravilna. Notranja temperatura hladilnika je odvisna od več dejavnikov, kot so temperatura okolice v prostoru, količina živil v hladilniku in pogostost odpiranja vrat. Pri nastavljanju naprave upoštevajte te dejavnike.
- Kadar indikator prikazuje "OK", to pomeni, da je termostat ustrezno nastavljen in je notranja temperatura pravilna.
- Če se indikator temperature spremeni v BELEGA, to pomeni, da je temperatura previsoka. V tem primeru povečajte nastavitev temperature v hladilniku in počakajte 12 ur pred ponovnim vizualnim preverjanjem indikatorja. Če ste v hladilnik vstavili sveža živila ali če so bila odprta vrata, je mogoče, da se indikator temperature čez nekaj časa spremeni v BELEGA.

DOKUMENTI IN CERTIFIKATI

Izjava o skladnosti

S to izjavo potrjujemo, da se naslednja imena modelov za stranke in imena modelov Midea ujemajo med sabo.

Blagovna znamka	Model Midea	Marketinški model	Tovarniški model
Midea	HD-403RWENJ	MDRB424FGE01I	CE-BCD310WE-JT
Midea	HD-403RWENJ	MDRB424FGE02I	CE-BCD310WE-JT

Ime proizvajalca: Guangzhou Midea Hualing Refrigerator Co., Ltd.
Naslov proizvajalca: No. 5 Xinguangsi Road, Qianfeng Zhujiang, Nansha District, Guangzhou City, Guangdong Province, Kitajska

Družba Guangzhou Midea Hualing Refrigerator Co., Ltd., izjavlja, da so zgoraj navedeni izdelki skladni z zgoraj navedenimi trenutno veljavnimi uredbami in standardi.

SL

SCRISOARE DE MULȚUMIRE

Vă mulțumim că ați ales Midea! Înainte de a utiliza noul dvs. produs Midea, vă rugăm să citiți acest manual cu atenție, pentru a vă asigura că știți cum să utilizați într-o manieră sigură caracteristicile și funcțiile pe care le oferă noul dvs. aparat.

CUPRINS

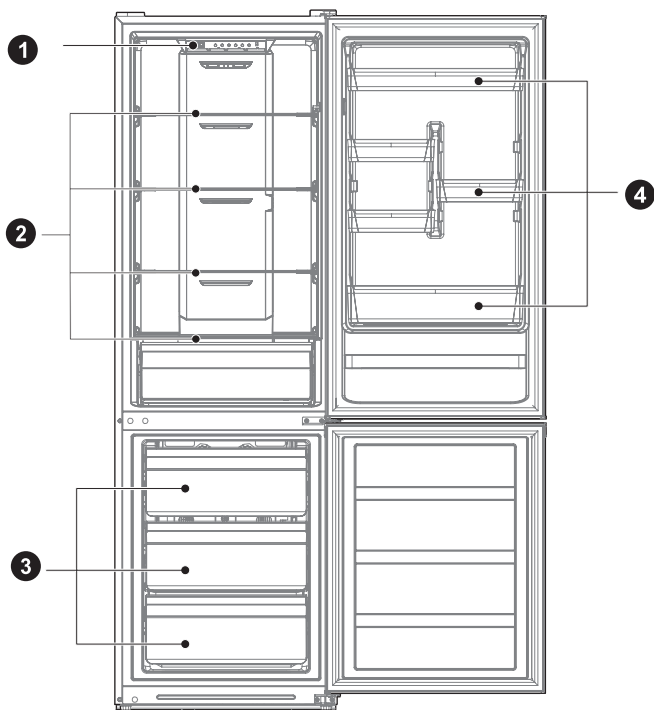
SCRISOARE DE MULȚUMIRE	01
SPECIFICAȚII	02
PREZENTARE GENERALĂ A PRODUSULUI	03
INSTALAREA PRODUSULUI	04
INSTRUCȚIUNI DE OPERARE	11
CURĂȚARE ȘI ÎNTREȚINERE	15
DEPANARE	17
ANEXĂ	19
DOC ȘI CERTIFICĂRI	21

SPECIFICAȚII

Model de produs	MDRB424FGE01I MDRB424FGE02I
Volumul compartimentului de depozitare pentru alimente proaspete	224L
Volumul compartimentului de depozitare pentru alimente congelate	86L
Tipul de dezghețare	Dezghețare automată
Timp de creștere a temperaturii	8h
Capacitatea de congelare	3,9kg/24h
Tensiunea nominală	220-240V~
Curentul nominal	0,8A
Dimensiuni totale (H x l x A)	1880x595x630mm

PREZENTARE GENERALĂ A PRODUSULUI

Numele componentelor



1 Sertar

2 Raft

3 Sertar

4 Tavă ușă

● ATENȚIE

Imaginea de mai sus este doar pentru referință. Configurația reală va depinde de produsul fizic sau de declarația distribuitorului.

RO

INSTALAREA PRODUSULUI

Instrucțiuni de instalare

Pentru aparate frigorifice cu clasă de climă

- În funcție de clasa de climă, acest aparat frigorific este destinat utilizării la intervalele de temperatură ambiantă specificate în tabelul următor.
- Clasa de climă poate fi găsită pe plăcuța de identificare. Produsul nu poate funcționa corespunzător la temperaturi în afara intervalului specificat.
- Puteți găsi clasa climatică pe eticheta produsului.

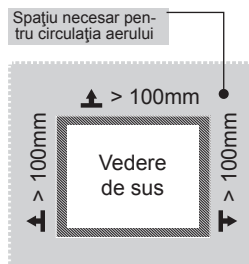
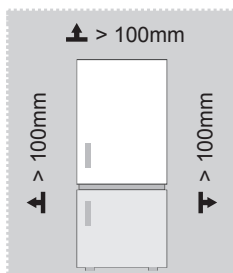
Interval de temperatură efecace

- Produsul este proiectat să funcționeze normal în intervalul de temperatură specificat pe plăcuța de identificare.

Clasă	Simbol	Interval de temperatură ambiantă	
		IEC 62552 (ISO 15502)	ISO 8561
Temperat extinsă	SN	de la + 10 până la + 32	de la + 10 până la + 32
Temperat	N	de la + 16 până la + 32	de la + 16 până la + 32
Subtropical	ST	de la + 16 până la + 38	+ 18 până la + 38
Tropical	T	de la + 16 până la + 43	+ 18 până la + 43

Dimensiuni și degajări

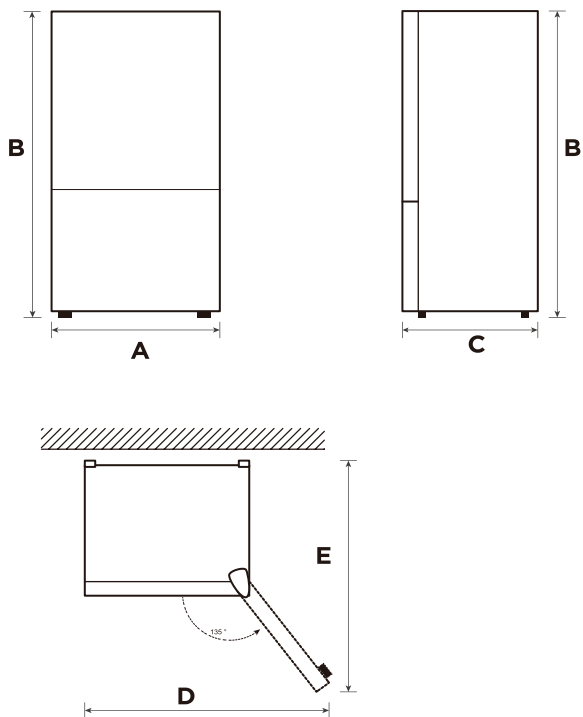
- O distanță prea mică față de articolele adiacente poate duce la degradarea capacității de îngheț și la creșterea costurilor cu energia electrică. Lăsați un spațiu liber de peste 100 mm de la fiecare perete adiacent atunci când instalați aparatul.



ATENȚIE

Imaginea de mai sus este doar pentru referință. Configurația reală va depinde de produsul fizic sau de declarația distribuitorului.

Diagrama spațiului necesar (când ușa este deschisă și când ușa este închisă)



RO

Lățime	Înălțime totală	Adâncime	Lățimea ușilor se deschide la 135°	Adâncimea ușilor se deschid la 135°
A	B	C	D	E
595	1880	630	988	1074

Notă: Toate dimensiunile în mm

Schimbare ușă dreapta-stânga (opțional)

În funcție de locul în care intenționați să utilizați frigiderul, este posibil să vi se pară mai convenabil să inversați poziția ușii.

PRECAUȚIE

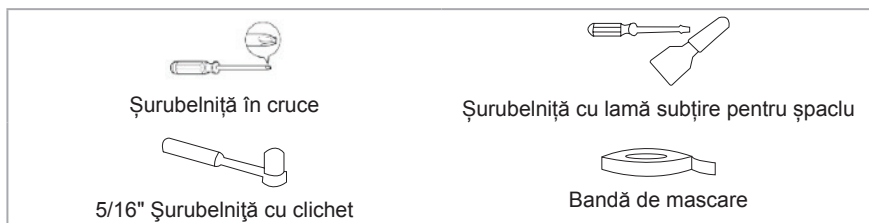
PRECAUȚIE: Pentru a evita rănirea dvs. sau a proprietății dvs., vă recomandăm ca cineva să vă ajute în timpul procesului de inversare a ușii.

Pregătirea pentru a inversa poziția ușii

Veți avea nevoie de: O șurubelniță standard, o șurubelniță Phillips și cheia Allen inclusă.

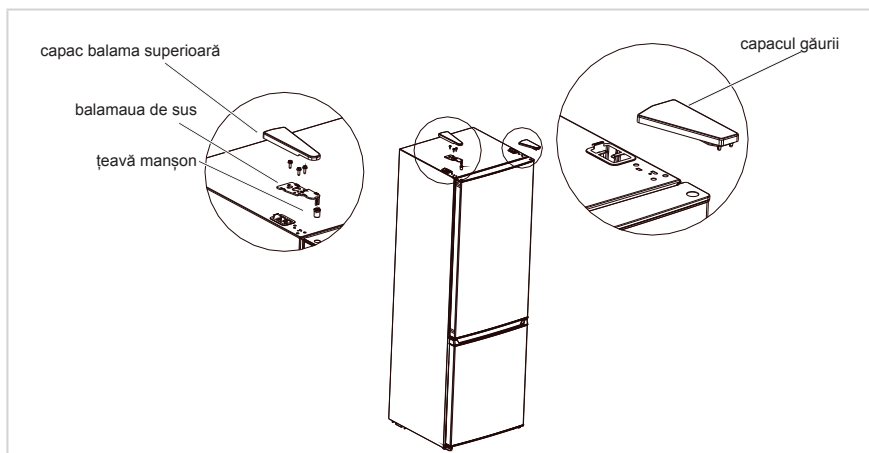
- Asigurați-vă că frigiderul este deconectat și gol.
- Aveți pe cineva disponibil pentru a vă ajuta în acest proces.
- Păstrați toate piesele pe care le eliminați pentru a le reutiliza mai târziu.

Instrumente necesare pentru schimbarea ușii:

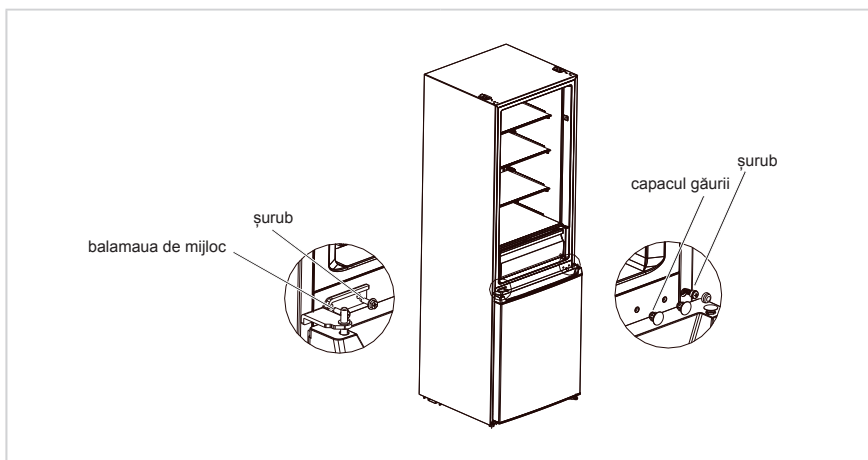


Pasul

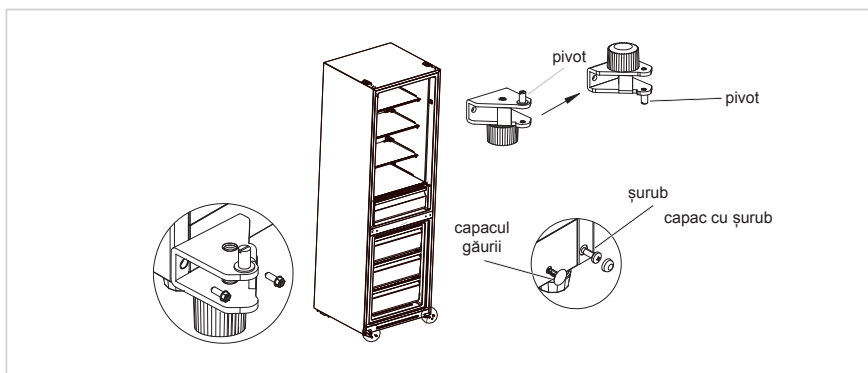
1. Opriti alimentarea frigiderului și îndepărtați toate obiectele de pe rafturile ușii.
2. Demontați capacul balamalei superioare, deconectați firele de semnal, balama superioară și capacul găurii de pe cealaltă parte, scoateți ușa de refrigerare.



3. Demontați balama din mijloc, șuruburile, capacele orificiilor și scoateți ușa congelatorului.



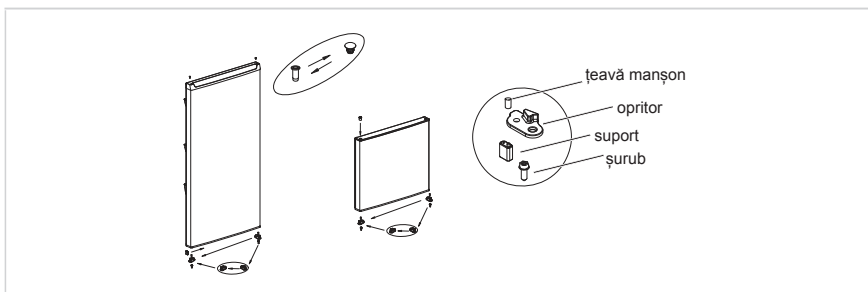
4. Demontați balama inferioară, capacele găurilor și șuruburile, instalați arborele balamalei inferioare și reglați piciorul pe cealaltă parte a balamalei inferioare, apoi instalați balama pe cealaltă parte.



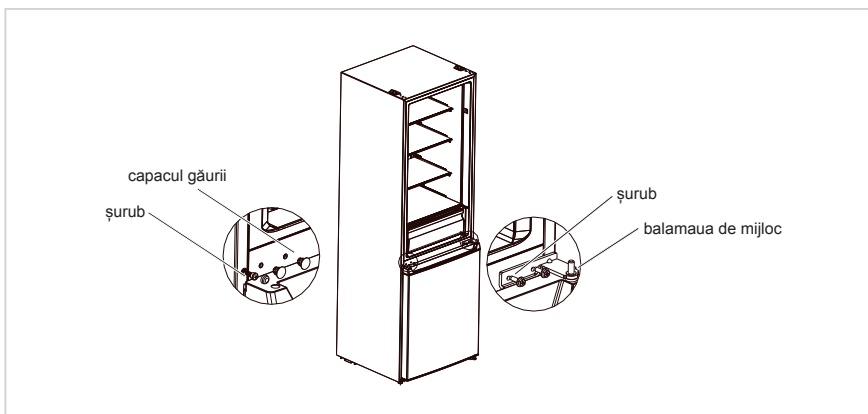
5. Demontați șurubul, țeava manșonului și dopul de la ușa frigorifică și ușa congelatorului, iar suportul de pe capacul inferior al ușii frigorifice este, de asemenea, îndepărtat. Apoi instalați-le în ordine pe cealaltă parte a ușilor. (Scoateți dopul de jos din pachetul de accesorii)

6. Schimbați poziția țevii manșonului și a capacului orificiului la capacul superior al ușii frigorifice și instalați manșonul balamalei superioare pe ușa congelatorului în orificiul de pe cealaltă parte a manșonului axei.

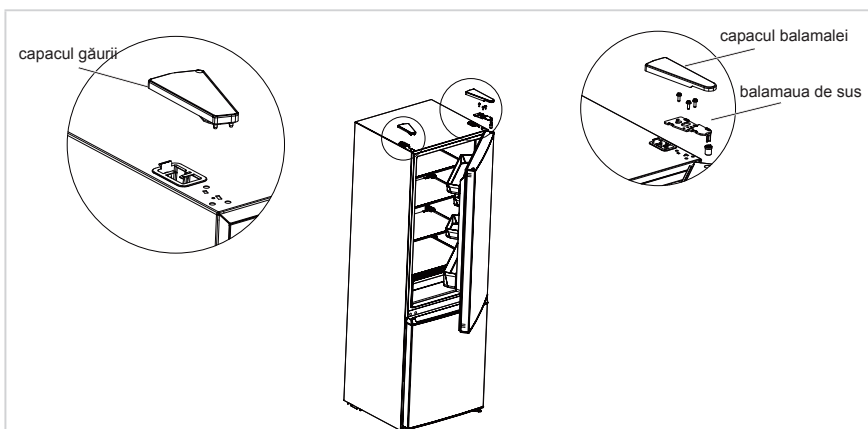
RO



7. Puneți ușa congelatorului pe balamaua inferioară, instalați balamaua din mijloc, șuruburile și capacele găurii șurubului.



8. Puneți ușa frigorifică pe balamaua din mijloc, instalați balamaua superioară, capacul balamalei și capacul orificiului.



ATENȚIE

Imaginea de mai sus este doar pentru referință. Configurația reală va depinde de produsul fizic sau de declarația distribuitorului.

Amplasarea

- Înainte de utilizare, scoateți toate materialele de ambalare, inclusiv garniturile inferioare, plăcuțele din spumă și benzile din interiorul frigiderului; rupeți folia de protecție de pe ușile și corpul frigiderului.
- Țineți-l departe de căldură și evitați lumina directă a soarelui. Nu amplasați congelatorul în locuri cu umiditate sau unde este multă apă, pentru a preveni ruginirea sau reducerea efectului de izolare.
- Nu stropiți cu apă și nu spălați cu apă frigiderul; nu puneți frigiderul în locuri umede, unde se produce cu ușurință stropirea, pentru a nu afecta proprietățile de izolare electrică ale frigiderului.
- Frigiderul trebuie să fie plasat într-un spațiu interior, bine ventilat; podeaua trebuie să fie plană și rezistentă (dacă este instabil, rotiți spre stânga sau spre dreapta roțile de reglare a poziției orizontale).



Picioarele de echilibrare

Pentru a evita vibrațiile, unitatea trebuie să fie nivelată.

Dacă este necesar, reglați șuruburile de nivelare pentru a compensa podeaua neuniformă.

Partea din față trebuie să fie puțin mai înaltă decât partea din spate pentru a ajuta la închiderea ușii.

Șuruburile de nivelare pot fi rotite cu ușurință prin înclinarea ușoară a dulapului.

Rotiți șuruburile de nivelare în sensul invers acelor de ceasornic  pentru a ridica unitatea, în sensul acelor de ceasornic  pentru a-l coborî.

Mutarea aparatului

1. Scoateți toate alimentele din interiorul aparatului.
2. Scoateți ștecherul, introduceți-l și fixați-l în cârligul ștecherului din spate sau deasupra aparatului.
3. Piese de bandă, cum ar fi rafturile și mânerul ușii, pentru a preveni căderea în timpul deplasării aparatului.
4. Mutați aparatul în mai mult de două persoane și cu atenție. Când transportați aparatul la o distanță lungă, păstrați aparatul în poziție verticală.
5. După instalarea aparatului, conectați fișa de alimentare la o priză pentru a porni aparatul.

ATENȚIE

Precauții înainte de operare:

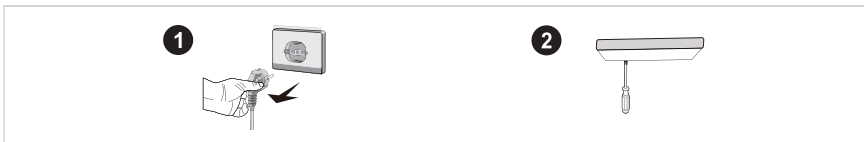
Înainte de a efectua modificări, frigiderul trebuie deconectat de la alimentare. trebuie luate măsuri de precauție pentru a preveni orice vătămare corporală.

Schimbarea luminii

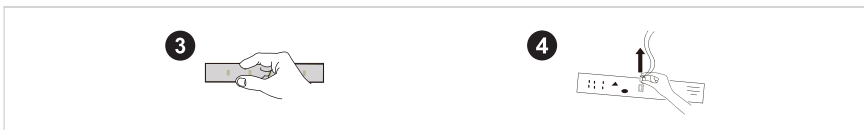
- Orice înlocuire sau întreținere a lămpilor LED, este destinată să fie făcută de producător, agentul său de service sau o persoană calificată similară. Acest produs conține o sursă de lumină din clasa de eficiență energetică <F>.

Pasul

1. Vă rugăm să scoateți ștecherul înainte de eliminare.
2. Îndepărtați abajurul cu o șurubelniță.



3. Dați jos plăcuța lămpii.
4. Îndepărtați terminalul conectorului.



Conectarea aparatului

Înainte de prima pornire, țineți frigiderul nemișcat timp de o jumătate de oră înainte de a-l conecta la alimentarea electrică.

ATENȚIE

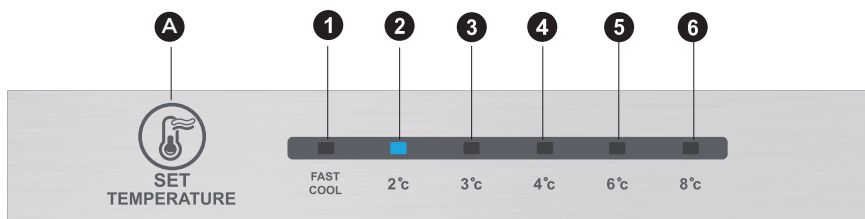
Înainte de a pune alimente proaspete sau congelate, frigiderul trebuie să funcționeze 2-3 ore sau mai mult de 4 ore vara când temperatura ambiantă este ridicată.

Sfaturi pentru economisirea energiei

- Aparatul trebuie să fie amplasat în zona cea mai răcoasă a încăperii, departe de aparatele producătoare de căldură sau de țevile de încălzire și de lumina directă a soarelui.
- Lăsați alimentele calde să se răcească la temperatura camerei înainte de a le introduce în aparat. Supraîncărcarea aparatul obligă compresorul să funcționeze mai mult. Alimentele care se congelează prea lent își pot pierde calitatea sau se pot altera.
- Asigurați-vă că alimentele sunt împachetate corespunzător și că recipientele sunt uscate înainte de a fi introduse în frigider. Acest lucru reduce formarea gheții în interiorul aparatului.
- Coșul de depozitare al aparatului nu trebuie căptușit cu folie de aluminiu, hârtie cerată sau prosoape de hârtie. Căptușelile interferează cu circulația aerului rece, ceea ce face ca aparatul să fie mai puțin eficient.
- Organizați și etichetați alimentele pentru a reduce deschiderea ușilor și căutărilor extinse. Scoateți cât mai multe articole necesare la un moment dat și închideți ușa cât mai curând posibil.

INSTRUCȚIUNI DE OPERARE

Panou de control



● ATENȚIE

Imaginea de mai sus este doar pentru referință. Configurația reală va depinde de produsul fizic sau de declarația distribuitorului

Tastă

A	Buton alarmă/alimentare o~/pornire
---	------------------------------------

Afișaj

1	setarea temperaturii 1
2	setarea temperaturii 2
3	setarea temperaturii 3
4	setarea temperaturii 4
5	setarea temperaturii 5
6	setarea temperaturii 6

Afișaj

Când porniți frigiderul, ecranul de afișare (inclusiv lumina cheie) va străluci în întregime timp de 3 secunde, apoi frigiderul funcționează în conformitate cu setarea de temperatură 3.

Afișajul în timpul funcționării normale

La apariția unei defecțiuni, lumina LED corespunzătoare va oferi o Afișare combinată a codului de defecțiune (în afișajul de reciclare);

În cazul în care nu există nicio defecțiune, lumina LED va afișa setarea de temperatură existentă.

● ATENȚIE

Panoul de comandă propriu-zis poate diferi de la un model la altul.

RO

Instrucțiuni de operare

Setarea angrenajului

- Setarea temperaturii va fi modificată o dată de fiecare dată când apăsați tasta SET. Apoi, frigiderul va funcționa sub noua valoare de setare după 15 secunde.

Setarea 1 → Setarea 2 → Setarea 3 → Setarea 4 → Setarea 5 → Setarea 6 → Setarea 1 →

Mod de răcire rapidă:

- Introduceți: Modul de răcire rapidă a modulației circulante.
- Funcționare: Indicatorul de răcire rapidă se aprinde, iar frigiderul funcționează la 2 C.
- Modul de răcire rapidă este dezactivat automat timp de 24 de ore.
- Funcția de răcire rapidă poate fi utilizată ca funcție de super îngheț.

Reglarea butonului manual al amortizorului de aer

- Rotiți cursorul clapetei de aer în sus, temperatura reală din interiorul camerei de congelare va scădea, rotiți cursorul clapetei de aer în jos, temperatura reală din interiorul camerei de congelare va crește.

FREEZER-TEMP

COLDEST

COLDER

COLD



Cod eroare

- Următoarele avertismente care apar pe afișaj indică defecțiunile corespunzătoare ale frigiderului. Deși frigiderul poate avea în continuare funcție de răcire și congelare cu următoarele defecțiuni, utilizatorul trebuie să contacteze un specialist în întreținere pentru întreținere, pentru a asigura utilizarea normală a frigiderului.

Cod eroare	Descrierea erorii
LED-ul 1 și LED-ul 2 aprins	Circuitul senzorului de temperatură a frigiderului
LED-ul 1 și LED-ul 3 aprins	Senzor de dezghețare a congelatorului
LED-ul 1 și LED-ul 4 aprins	Senzor de temperatură ambientală

⚠️ ATENȚIE

Notă: Funcția de congelare rapidă are rolul de a menține valoarea nutritivă a alimentelor din congelator. Aceasta are ca efect congelarea alimentelor în cel mai scurt timp posibil. Dacă se congelează deodată o cantitate mare de alimente, se recomandă ca utilizatorul să activeze funcția de congelare rapidă și să introducă alimentele. În acest moment, viteza de congelare a compartimentului de congelare crește, ceea ce conduce la congelarea rapidă a alimentelor, menținerea eficientă a valorii nutriționale și facilitarea depozitării.

Compartiment frigorific

- Compartimentul frigiderului este potrivit pentru depozitarea unei varietăți de fructe, legume, băuturi și alte alimente consumate pe termen scurt. Timp de depozitare sugerat: de la 3 zile până la 5 zile.
- Alimentele gătite nu trebuie introduse în compartimentul frigorific, decât răcite la temperatura camerei.
- Alimentele se recomandă să fie acoperite înainte de a fi introduse în frigider.
- Rafturile din sticlă pot fi reglate în sus sau în jos pentru un volum rezonabil de depozitare și o utilizare ușoară.

Compartiment de congelare

- Camera de congelare la temperatură scăzută poate menține alimentele proaspete pentru o lungă perioadă de timp și este utilizată în principal pentru depozitarea alimentelor congelate și producerea de gheață.
- Compartimentul congelatorului este potrivit pentru depozitarea cărnii, a peștelui, a bilelor de orez și a altor alimente care nu vor fi consumate pe termen scurt.
- Bucățile de carne trebuie împărțite de preferință în bucăți mici pentru înghețare rapidă și acces ușor. Vă rugăm să rețineți că produsele alimentare trebuie consumate în termenul de valabilitate.

ATENȚIE

Notă: Depozitarea unei cantități prea mari de alimente în timpul funcționării după conectarea inițială la curent, poate afecta negativ efectul de congelare al frigiderului.

Comandă	TIP compartimente	Temperatura de stocare țintă. [°C]	Alimente adecvate
1	Frigider	+2 ~ 8	Ouăle, alimentele gătitе, alimentele ambalate, fructele și legumele, produsele lactate, prăjiturile, băuturile și alte alimente nu sunt potrivite pentru congelare.
2	(** *) * - Congelator	≤-18	Fructe de mare (pește, creveți, crustacee), produse acvatice de apă dulce și produse din carne (recomandate timp de 3 luni, cu cât timpul de depozitare este mai lung, cu atât gustul și nutriția sunt mai rele), potrivite pentru alimente proaspete congelate.
3	*** -Congelator	≤-18	Fructe de mare (pește, creveți, crustacee), produse acvatice de apă dulce și produse din carne (recomandate timp de 3 luni, cu cât timpul de depozitare este mai lung, cu atât gustul și nutriția sunt mai rele), potrivite pentru alimente proaspete congelate.
4	** -Congelator	≤-12	Fructe de mare (pește, creveți, crustacee), produse acvatice de apă dulce și produse din carne (recomandate timp de 3 luni, cu cât timpul de depozitare este mai lung, cu atât gustul și nutriția sunt mai rele), potrivite pentru alimente proaspete congelate.
5	* -Congelator	≤-6	Fructe de mare (pește, creveți, crustacee), produse acvatice de apă dulce și produse din carne (recomandate timp de 3 luni, cu cât timpul de depozitare este mai lung, cu atât gustul și nutriția sunt mai rele), potrivite pentru alimente proaspete congelate.
6	0 stele	-6 ~ 0	Carne de porc proaspătă, carne de vită, pește, pui, unele alimente procesate ambalate etc. (Recomandat să mănânce în aceeași zi, de preferință nu mai mult de 3 zile). Alimente procesate parțial încapsulate (non-congelabil alimente).
7	Frig	-2 ~ +3	Carne de porc proaspătă/congelată, carne de vită, pui, produse acvatice de apă dulce etc. (7 zile sub 0° C și peste 0° C sunt recomandate pentru consum în aceea zi, de preferință nu mai mult de 2 zile). Fructe de mare (mai puțin de 0 timp de 15 zile, nu se recomandă păstrarea la temperaturi peste 0° C.
8	Alimente proaspete	0 ~ +4	Carne proaspătă de porc, carne de vită, pește, pui, mâncare gătită etc. (Se recomandă să fie consumată în aceeași zi, de preferință nu mai mult de 3 zile)
9	Vin	+5 ~ +20	Vin roșu, vin alb, vin spumant etc.

● ATENȚIE

vă rugăm să depozitați alimente diferite în funcție de compartimentele sau de temperatura de depozitare țintă a alimentelor achiziționate.

CURĂȚARE ȘI ÎNTREȚINERE

Curățarea generală

- Prafurile din spatele frigiderului și de pe podea trebuie curățate în timp util pentru a îmbunătăți efectul de răcire și economia de energie.
- Verificați periodic garnitura ușii pentru a vă asigura că nu există resturi. Curățați garnitura ușii cu o cârpă moale umezită cu apă cu săpun sau detergent diluat.
- Interiorul frigiderului trebuie curățat regulat pentru a evita mirosurile neplăcute.
- Vă rugăm să opriți alimentarea înainte de a curăța interiorul, îndepărtați toate alimentele, băuturile, rafturile, sertarele etc.
- Folosiți o cârpă moale sau un burete pentru a curăța interiorul frigiderului, cu două linguri de bicarbonat de sodiu și un litru de apă caldă. Apoi clătiți cu apă și ștergeți cu o cârpă curată. După curățare, deschideți ușa și lăsați aparatul să se usuce natural înainte de a-l porni.
- Pentru zonele care sunt dificil de curățat în frigider (cum ar fi sandvișuri înguste, goluri sau colțuri), se recomandă ștergerea regulată a acestora cu o cârpă moale, perie moale etc. și, dacă este necesar, combinată cu unele instrumente auxiliare (cum ar fi bastoane subțiri) pentru a nu se acumula contaminanți sau bacterii în aceste zone.
- Nu folosiți săpun, detergent, pudră abrazivă, aparat de curățat, etc., deoarece acestea pot provoca mirosuri neplăcute în interiorul frigiderului sau contaminarea alimentelor.
- Curățați cadrul sticlei, rafturile și sertarele cu o cârpă moale umezită cu apă cu săpun sau detergent diluat. Uscați cu o cârpă moale sau uscați natural.
- Ștergeți suprafața exterioară a frigiderului cu o cârpă moale înmuiată cu apă cu săpun, detergent etc. și apoi ștergeți-o.
- Nu utilizați perii dure, bile de oțel curate, perii de sârmă, abrazivi (cum ar fi paste de dinți), solvenți organici (precum alcool, acetonă, ulei de banane etc.), apă clocotită, obiecte acide sau alcaline, care pot deteriora suprafața frigiderului și interiorului. Apa fiartă și solvenții organici, cum ar fi benzenul, pot deforma sau deteriora părțile din plastic.
- Nu clătiți direct cu apă sau alte lichide în timpul curățării pentru a evita scurtcircuitele sau afectarea izolației electrice după scufundare.

RO

ATENȚIE

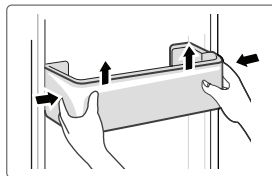
Deconectați frigiderul pentru operațiunile de decongelare și curățare.

Decongelarea

- Frigiderul este realizat pe baza principiului răcirii aerului, prin urmare dispune de o funcție de decongelare automată. Gheața formată din cauza schimbării anotimpului sau a temperaturii poate fi de asemenea îndepărtată manual prin deconectarea aparatului de la sursa de alimentare sau prin ștergere cu un prosop uscat.

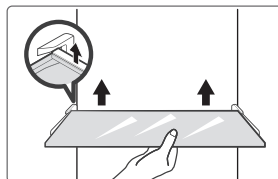
Curățarea tăvii din ușa

- Conform săgeții de direcție din figura de mai jos, folosiți ambele mâini pentru a strânge tava și împingeți-o în sus, apoi o puteți scoate.
- După spălarea tăvii au fost luate afară, puteți regla înălțimea de instalare în funcție de cerințele dvs.



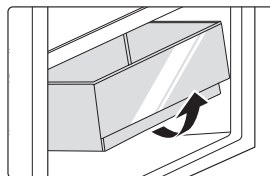
Curățarea raftului de sticlă

- Deoarece partea cea mai interioară a căptușelii frigiderului în care contactul cu rafturile are o barieră, veți ridica rafturile în sus, apoi le veți putea scoate.
- Reglați sau curățați rafturile în funcție de cerințele dumneavoastră.



Curățarea sertarului pentru legume

1. Scoateți conținutul sertarului. Țineți mânerul sertarului pentru legume și trageți-l complet până când se oprește.
2. Ridicați sertarul pentru legume și scoateți-l trăgându-l afară.



Scoaterea din uz

Pană de curent:

În caz de întrerupere a energiei electrice, chiar dacă este vara, alimentele din interiorul aparatului pot fi păstrate câteva ore; în timpul penei de curent, timpul de deschidere a ușii trebuie redus și nu trebuie introduse alimente proaspete în aparat.

Neutilizare pe termen lung:

Aparatul trebuie deconectat și apoi curățat; apoi ușile vor fi lăsate deschise pentru a preveni mirosul.

Mutare:

Înainte ca frigiderul să fie mutat, scoateți toate obiectele din interior, fixați cu bandă adezivă pereții despărțitori din sticlă, cutia pentru legume, sertarele compartimentului de congelare și celelalte și strângeți picioarele de echilibrare; închideți ușile și fixați-le cu bandă adezivă. În timpul deplasării, aparatul nu trebuie așezat cu susul în jos sau orizontal, sau vibrat; înclinația în timpul mișcării nu trebuie să depășească 45°.

● ATENȚIE

Aparatul ar trebui să funcționeze continuu, odată ce a fost pornit. N general, funcționarea aparatului nu trebuie întreruptă; în caz contrar, durata de viață poate fi afectată.

DEPANARE

Următoarele probleme simple trebuie remediate de utilizator. Adresați-vă departamentului de servicii post-vânzare dacă problemele nu se remediază.

Problemă	Motiv posibil
Funcționare eșuată	• Verificați dacă aparatul este conectat la energie sau dacă priza este într-un contact bun
	• Verificați dacă tensiunea este prea mică
	• Verificați dacă există o pană de curent sau dacă circuitele parțiale s-au declanșat
Miros neplăcut	• Alimentele mirositoare trebuie să fie împachetate strâns
	• Verificați dacă există alimente alterate
	• Curățați interiorul frigiderului
Funcționarea pe termen lung a compresorului	• Funcționarea îndelungată a frigiderului este normală vara când temperatura ambiantă este ridicată
	• Nu se recomandă să păstrați prea multe alimente în aparat în același timp
	• Alimentele trebuie să se răcească înainte de a fi puse în aparat
	• Ușile sunt deschise prea des
Lumina nu se aprinde	• Verificați dacă frigiderul este conectat la sursa de alimentare și dacă lumina iluminatoare este deteriorată
	• Solicitați înlocuirea luminii de către un specialist
Ușa nu poate fi închisă corespunzător	• Ușa este blocată de pachetele cu alimente
	• Frigiderul este înclinat.
Zgomot puternic	• Verificați dacă podeaua este plană și dacă frigiderul este așezat stabil
	• Verificați dacă accesoriile sunt amplasate în locații adecvate

RO

Problemă	Motiv posibil
Etanșarea ușii nu este strânsă	<ul style="list-style-type: none"> • Îndepărtați obiectele străine de pe garnitura ușii • Încălziți garnitura ușii și apoi răciți-o pentru restaurare (sau folosiți un uscător electric, sau un prosop fierbinte pentru încălzire).
Tava colectoare de apă se revarsă	<ul style="list-style-type: none"> • Există prea multe alimente în compartiment sau alimentele depozitate conțin prea multă apă, ducând la o decongelare puternică. • Ușile nu sunt închise corespunzător, ceea ce duce la înghețare din cauza pătrunderii aerului și a cantității mari de apă cauzate de dezghețare
Carcasă fierbinte	<ul style="list-style-type: none"> • Căldura condensatorului încorporat este disipată prin intermediul carcasei, acest lucru fiind normal. În cazul în care carcasa se înfierbântă din cauza temperaturii ambiante ridicate, stocării unei cantități prea mari de alimente sau opririi compresorului, asigurați ventilarea puternică pentru a ușura disiparea căldurii.
Condensarea suprafeței	<ul style="list-style-type: none"> • Condensarea pe suprafața exterioară și etanșările ușilor frigiderului este normală atunci când umiditatea ambientală este prea mare. Ștergeți condensul cu un prosop curat.
Zgomot anormal	<ul style="list-style-type: none"> • Bâzâit: Compresorul poate produce sunete în timpul funcționării, iar sunetele sunt puternice în special la pornire sau oprire. Acest lucru este normal. • Scârțâit: Curgerea agentului frigorific în interiorul aparatului poate produce scârțâit, lucru care este normal.

ANEXĂ

Special pentru noul standard european

Piese comandate în tabelul următor pot fi achiziționate de la canalul furnizorului de servicii

Piesa comandată	Furnizat de	Perioadă minimă necesară de furnizare
Termostate	Personal de întreținere profesionist	La cel puțin 7 ani de la lansarea pe piață a ultimului model
Senzorul de temperatură	Personal de întreținere profesionist	La cel puțin 7 ani de la lansarea pe piață a ultimului model
Placă cu circuite imprimate	Personal de întreținere profesionist	La cel puțin 7 ani de la lansarea pe piață a ultimului model
Sursa de lumină	Personal de întreținere profesionist	La cel puțin 7 ani de la lansarea pe piață a ultimului model
Mănerul ușii	Reparatori profesioniști și utilizatori finali	La cel puțin 7 ani de la lansarea pe piață a ultimului model
Balamale de ușă	Reparatori profesioniști și utilizatori finali	La cel puțin 7 ani de la lansarea pe piață a ultimului model
Tăvi	Reparatori profesioniști și utilizatori finali	La cel puțin 7 ani de la lansarea pe piață a ultimului model
Coșuri	Reparatori profesioniști și utilizatori finali	La cel puțin 7 ani de la lansarea pe piață a ultimului model
Garnituri pentru uși	Reparatori profesioniști și utilizatori finali	La cel puțin 10 ani de la lansarea pe piață a ultimului model

Stimate client

1. Dacă doriți să returnați sau să înlocuiți produsul, vă rugăm să contactați magazinul de unde l-ați cumpărat.

(Nu uitați să aduceți factura de cumpărare)

2. Dacă produsul dvs. se defectează și trebuie reparat, contactați furnizorul de servicii post-vânzare.

ATENȚIE

Informațiile privind modelul din baza de date cu produse, precum și codul de identificare a modelului pot fi aflate cu ajutorul unui link web obținut prin scanarea codului QR de pe eticheta de eficiență energetică a produsului.

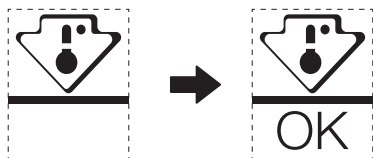
Pentru mai multe informații despre eficiența energetică a aparatului, vizitați <https://ec.europa.eu> și căutați folosind numele modelului.

Numele modelului poate fi găsit pe eticheta de evaluare a aparatului.

Cea mai rece zonă din frigider

OPȚIONAL: Indicator de temperatură OK

- Indicatorul de temperatură OK poate fi utilizat pentru a determina temperaturi sub +4°C. Reduceți treptat temperatura dacă semnul nu indică "OK".



- Pentru a menține temperatura în această zonă, nu modificați poziția raftului. Frigidere cu aer forțat (echipate cu ventilator sau modele nu îngheț), simbolul celei mai reci zone nu este reprezentat, deoarece temperatura din interior este omogenă.

Setarea indicatorului de temperatură

- Pentru a vă ajuta să reglați frigiderul bine, acesta este dotat cu un indicator de temperatură care va monitoriza temperatura medie în zona cea mai rece.
- AVERTISMENT: Acest indicator este destinat să funcționeze numai cu frigiderul dvs., nu îl utilizați în alt frigider (de fapt, zona cea mai rece nu este aceeași) sau pentru orice altă utilizare.

Verificarea temperaturii în zona cea mai rece

- Cu ajutorul indicatorului de temperatură, puteți verifica în mod regulat, dacă temperatura din zona cea mai rece este corectă. Într-adevăr, temperatura internă a frigiderului depinde de mai mulți factori, cum ar fi temperatura ambiantă a camerei, cantitatea de alimente depozitate și frecvența deschiderii ușii. Luați în considerare acești factori atunci când setați dispozitivul.
- Atunci când indicatorul arată «OK», înseamnă că termostatul este bine reglat și că temperatura internă este corectă.
- Dacă indicatorul de temperatură devine ALB, înseamnă că temperatura este prea mare; în acest caz, măriți setarea de control a temperaturii frigiderului și așteptați timp de 12 ore înainte de a verifica din nou indicatorul. Dacă s-au introdus alimente proaspete sau dacă ușa a fost lăsată deschisă, este posibil ca indicatorul de temperatură să devină ALB după un timp.

DOC ȘI CERTIFICĂRI

Declarația de conformitate

Prin prezenta confirmăm că următoarele nume de modele de clienți și nume de modele Midea se potrivesc reciproc.

Marca	Model Midea	Model de marketing	Model de fabrică
Midea	HD-403RWENJ	MDRB424FGE01I	CE-BCD310WE-JT
Midea	HD-403RWENJ	MDRB424FGE02I	CE-BCD310WE-JT

Numele producătorului:

Guangzhou Midea Hualing Refrigerator Co., Ltd.

Adresa producătorului:

Nr. 5 Xinguangsi Road, Qianfeng Zhujiang, districtul Nansha, orașul Guangzhou, provincia Guangdong, R.P.Chineză

Noi, Guangzhou Midea Hualing Frigider Co, Ltd., prin prezenta declarăm că produsele menționate mai sus respectă reglementările și standardele valabile în prezent menționate mai sus.

RO

БЛАГОДАРНОСТИ

Благодарим Ви, че избрахте Midea! Преди да използвате новия си уред Midea, прочетете внимателно това ръководство, за са сте сигурни, че знаете как да използвате безопасно функциите, които този нов уред предлага.

СЪДЪРЖАНИЕ

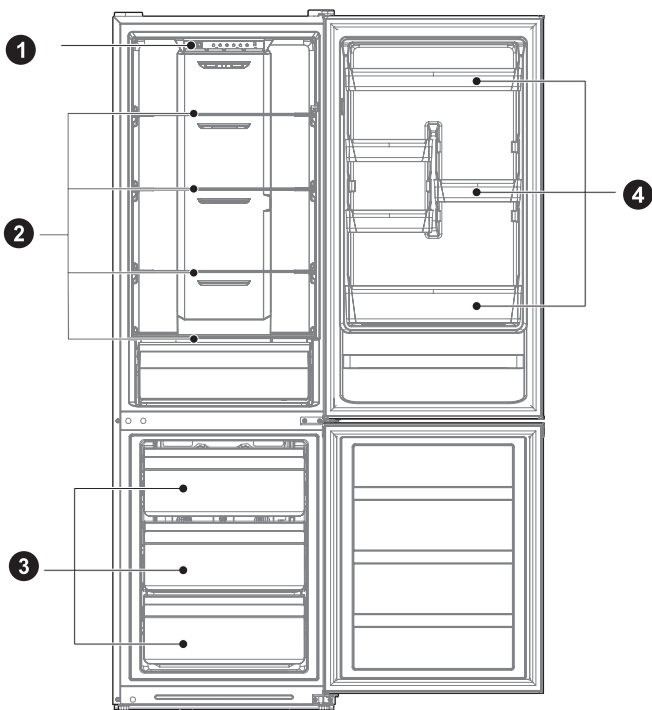
БЛАГОДАРНОСТИ	01
ХАРАКТЕРИСТИКИ	02
ПРЕГЛЕД НА ПРОДУКТА	03
МОНТИРАНЕ НА ПРОДУКТА	04
ИНСТРУКЦИИ ЗА РАБОТА	11
ПОЧИСТВАНЕ И ПОДДРЪЖКА	15
ОТСТРАНЯВАНЕ НА ПРОБЛЕМИ	17
ДОПЪЛНЕНИЕ	19
ДОКУМЕНТИ И СЕРТИФИКАТИ	21

ХАРАКТЕРИСТИКИ

Модел на продукта	MDRB424FGE01I MDRB424FGE02I
Обем на отделението за съхранение на пресни продукти	224 L
Обем за съхранение на замразени храни	86 L
Тип размразяване	Автоматично размразяване
Време за повишаване на температурата	8 h
Капацитет за замразяване	3,9 kg/24h
Номинално напрежение	220 – 240 V~
Номинален ток	0,8 A
Общи размери (В x Ш x Д)	1880 x 595 x 630 mm

ПРЕГЛЕД НА ПРОДУКТА

Наименования на компонентите



1 Чекмедже

2 Рафт

3 Чекмедже

4 Рафт на вратата

ЗАБЕЛЕЖКА

Горното изображение е само за справка. Действителната конфигурация зависи от самия продукт или дистрибутора.

МОНТИРАНЕ НА ПРОДУКТА

Инструкции за монтиране

За хладилни уреди с климатичен клас

- В зависимост от климатичния клас, този хладилен уред е предназначен за употреба при посочените в долната таблица температурни диапазони.
- Климатичният клас е посочен на табелката на уреда. Продуктът може да не работи оптимално при температури извън посочения диапазон.
- Климатичният клас се намира на продуктивия етикет.

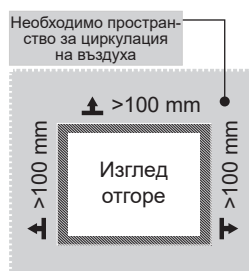
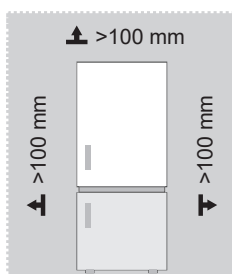
Температурен диапазон на ефективност

- Продуктът е проектиран да работи нормално в указания за неговия клас температурен диапазон.

Клас	Символ	Диапазон на околната температура ° C	
		IEC 62552 (ISO 15502)	ISO 8561
Разширен клас за умерен климат	SN	+ 10 до + 32	+ 10 до + 32
Клас за умерен климат	N	+ 16 до + 32	+ 16 до + 32
Клас за субтропичен климат	ST	+ 16 до + 38	+ 18 до + 38
Клас за тропичен климат	T	+ 16 до + 43	+ 18 до + 43

Размери и отстояния

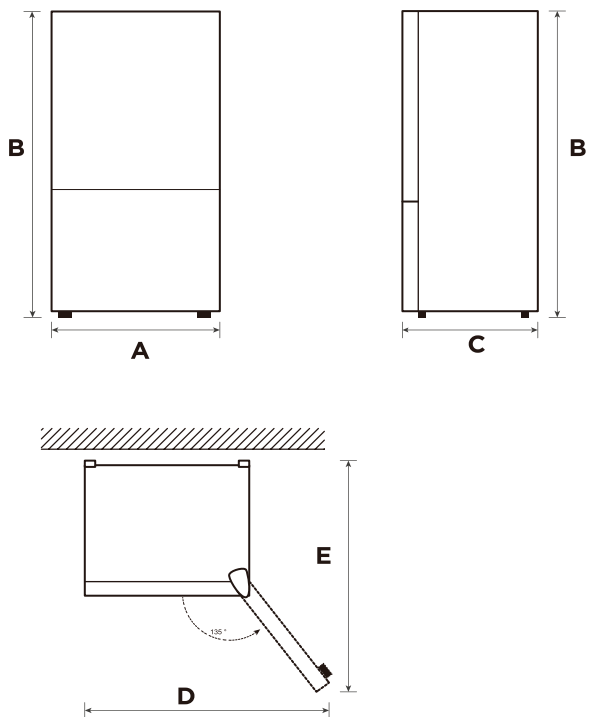
- Твърде малкото разстояние от съседни предмети може да доведе до намаляване на капацитета на замразяване и до повишаване на разходите за електроенергия. Оставете отстояния над 100 mm от всяка съседна стена, когато монтирате уреда.



ЗАБЕЛЕЖКА

Горното изображение е само за справка. Действителната конфигурация зависи от самия продукт или дистрибутора.

Диаграма на пространствените изисквания (при отворена и при затворена врата)



BG

Ширина	Обща височина	Дълбочина	При врати, отворени на 135°	Дълбочина при врати, отворени на 135°
A	B	C	D	E
595	1880	630	988	1074

Забележка: Всички размери са в mm

Смяна отварянето на вратата дясно-ляво (опция)

Въз основа на мястото, на което искате да използвате хладилника, можете да промените позицията на вратата.

ВНИМАНИЕ

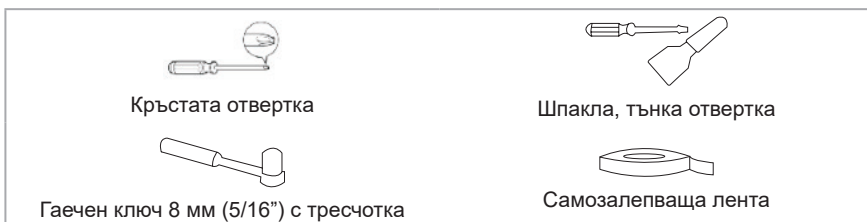
ВНИМАНИЕ: За да избегнете нараняване или щети, препоръчваме някой да ви помогне в процеса на обръщане на позицията на вратата.

Подготовка за промяна на позицията на вратата

Ще имате нужда от: Стандартна отвертка, отвертка Phillips и включения в доставката гаечен ключ.

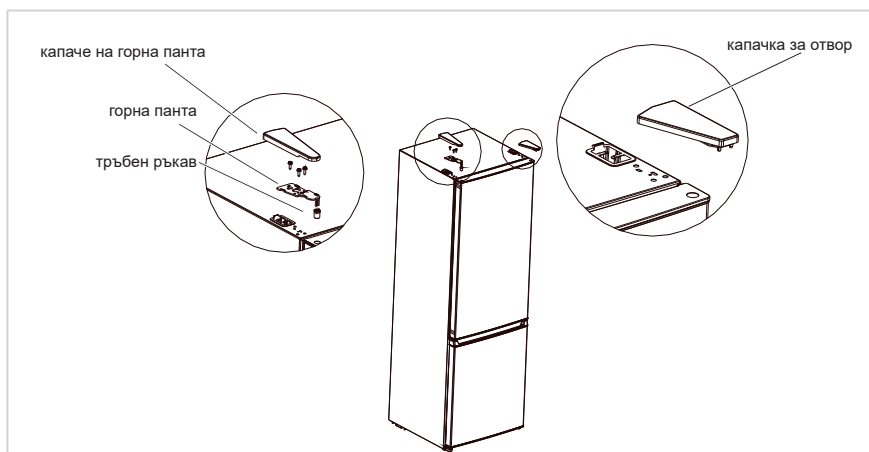
- Уверете се, че хладилникът е изключен и празен.
- Осигурете някой да ви помага в процеса.
- Запазете всички части, които сваляте, за да ги използвате отново по-късно.

Инструменти, необходими за промяна на позицията на вратата.

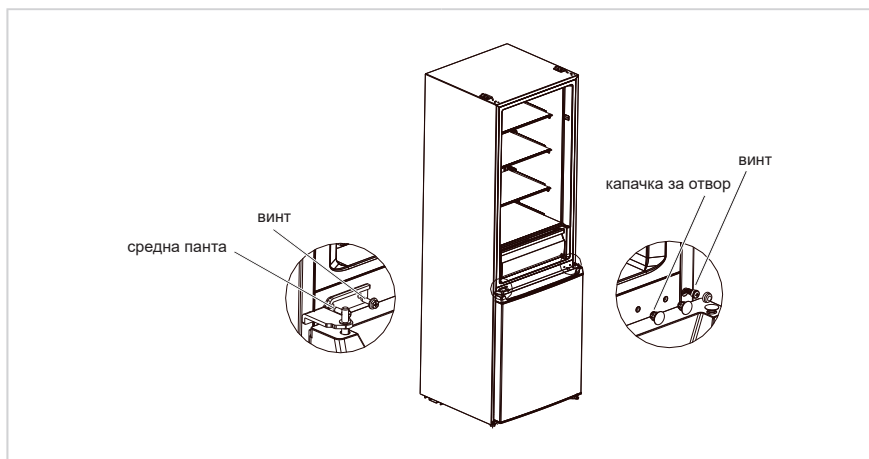


Стъпка

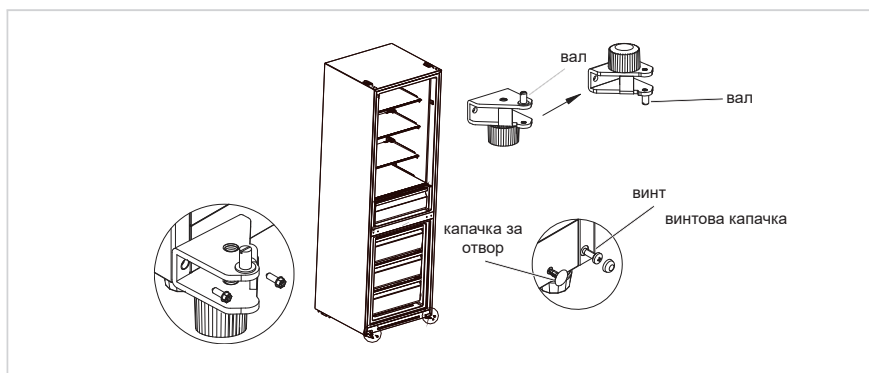
1. Изключете хладилника и извадете всички предмети от тавите на вратата.
2. Разглобете капача на горната панта, разединете сигналните проводници, горната панта и капачката на отвора от другата страна, свалете вратата на хладилника.



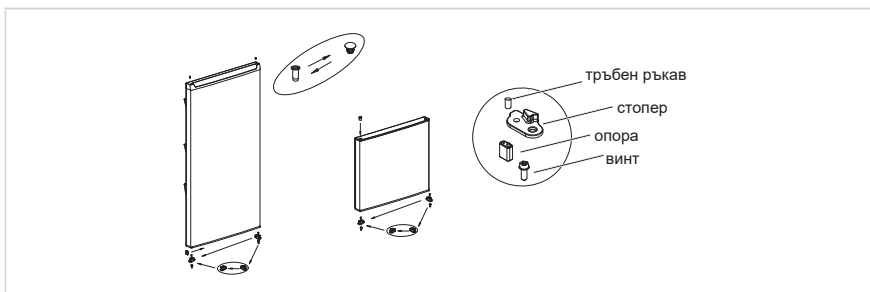
3. Разглобете следната панта, винтовете, капачките в отворите на винтовете и свалете вратата на фризера.



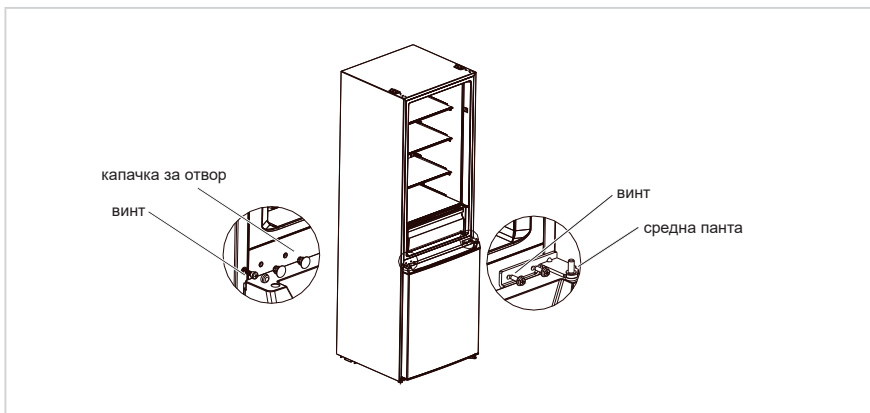
4. Разглобете долната панта, капачките на отвора и винтовете, монтирайте вала на долната панта и регулирайте крака на другата страна на долната панта, след което поставете пантата от другата страна.



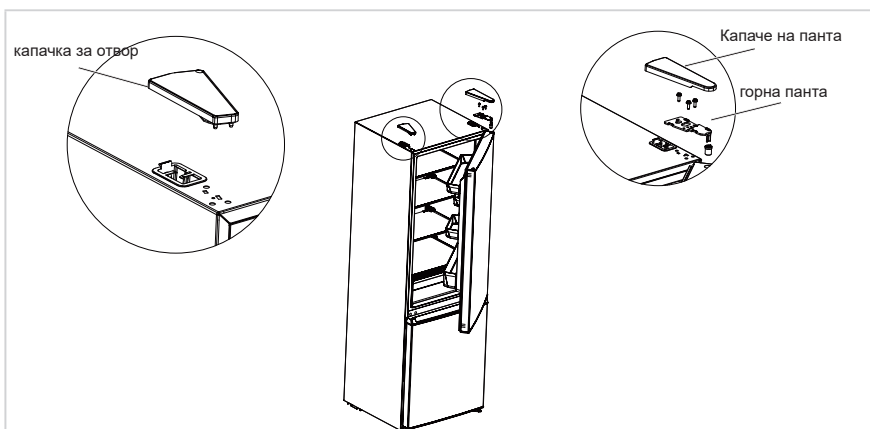
5. Разглобете винта, тръбния ръкав и стопера от вратата на хладилника и вратата на фризера. Свалете също опората на долния капак на вратата на хладилника. След това ги монтирайте от другата страна на вратата в същия ред. (Извадете долния стопер от пакета с принадлежности.)
6. Сменете позицията на тръбния ръкав и капачката на отвора на горния капак на вратата на хладилника и монтирайте ръкава на горната панта на вратата на фризера към отвора от другата страна на осовия ръкав.



7. Поставете вратата на фризера на долната панта, монтирайте средната панта и винтовете, както и капачките на отворите за винтове.



8. Поставете вратата на хладилника на средната панта, монтирайте горната панта, капака на пантата и капачката на отвора.



● ЗАБЕЛЕЖКА

Горното изображение е само за справка. Действителната конфигурация зависи от самия продукт или дистрибутора.

Поставяне

- Преди използване, свалете всички опаковъчни материали, включително долните възглавници, подложките от пяна и лентите вътре в хладилника; свалете защитното фолио от вратите и корпуса на хладилника.
- Пазете от топлина и избягвайте пряка слънчева светлина. Не поставяйте фризера във влажни или мокри помещения, за да избегнете ръждясване или намаляване на изолационните свойства.
- Не пръскайте и не мийте хладилника; не поставяйте хладилника на влажни места, където може да бъде намокрен с вода, за да не повлияете на електрическите изолационни свойства на хладилника.
- Хладилникът трябва да се постави на добре проветриво закрито място; подът трябва да е равен и здрав (завъртете наляво или надясно, за да регулирате колелото за нивелиране, ако е нестабилен).



Крачета за нивелиране

За да избегнете вибрации, модулет трябва да бъде нивелиран.

Ако е необходимо, регулирайте капачките за нивелиране, за да компенсирате неравността на пода.

Предната част трябва да бъде разположена малко по-високо от задната, за да се подпомогне затварянето на вратата.

Винтовете за нивелиране могат да се завъртят лесно чрез леко накланяне на корпуса.

Завъртете винтовете за нивелиране обратно на часовниковата стрелка , за да повдигнете уреда, и по часовниковата стрелка , за да го снижите.

Преместване на уреда

1. Извадете храната от уреда.
2. Извадете щепсела на захранването и го фиксирайте на специално предназначенията за него кука от задната страна в горната част на уреда.
3. Залепете частите, като ръкави и дръжката на вратата, за да предотвратите изпадане по време на преместването.
4. Уредът трябва да се премества внимателно от няколко души. При транспортиране на уреда на дълго разстояние, го дръжте изправен.
5. След като монтирате уреда, свържете захранващия щепсел към контакта и го включете.

ЗАБЕЛЕЖКА

Предпазни мерки преди работа:

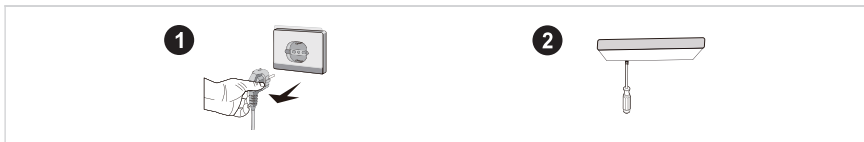
Преди да правите промени хладилникът трябва да бъде изключен от захранването и трябва да вземете предпазни мерки срещу нараняване.

Смяна на крушката

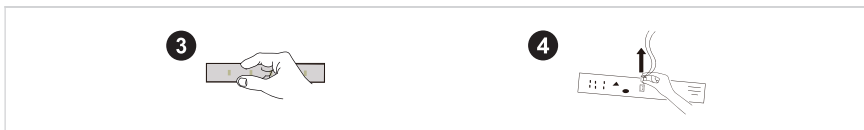
- Смените или поддръжката на LED лампите се извършва от производителя, техен сервизен агент или друго квалифицирано лице. Продуктът съдържа светлинен източник от енергоефективен клас. <F>.

Стъпка

1. Извадете щепсела преди отстраняване.
2. Отстранете плафона с отвертка.



3. Свалете панела на лампата.
4. Отстранете терминала за свързване.



Свързване на уреда

Преди първоначалното включване, оставете хладилника неподвижен за половин час преди да го свържете към електрозахранването.

ЗАБЕЛЕЖКА

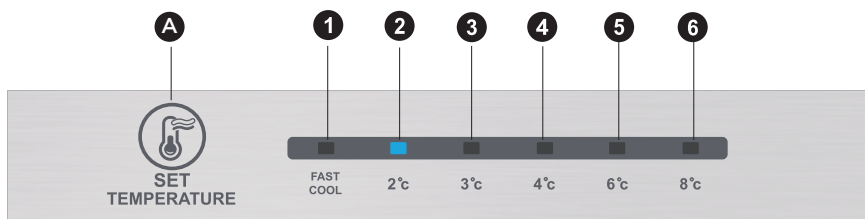
Хладилникът трябва да е работил 2-3 часа преди да поставите в него пресни или замразени храни, или над 4 часа през лятото, когато околната температура е висока.

Съвети за енергоспестяване

- Уредът трябва да бъде поставен на най-хладното място в помещението, далеч от уреди, излъчващи топлина или отоплителни тръби и не под пряка слънчева светлина.
- Оставете горещите храни да се охладят до стайна температура преди да ги сложите в уреда. Претоварването на уреда кара компресора да работи по-дълго. Храните, които замръзват бавно, може да изгубят качествата си или да се развалят.
- Опаковайте храните правилно и подсушавайте контейнерите преди да поставите продукти в тях. Това намалява образуването на скреж в уреда.
- Кошът за съхранение на уреда не трябва да се покрива с алуминиево фолио, хартия за печене или домакинска хартия. Покритията пречат на циркулирането на въздуха, което намалява ефикасността на уреда.
- Подредете храната и поставете етикети, за да намалите отварянето на вратата и продължителното търсене. Извадете възможно най-много от нужните неща едновременно и затворете веднага вратата.

ИНСТРУКЦИИ ЗА РАБОТА

Контролен панел



ЗАБЕЛЕЖКА

Горното изображение е само за справка. Действителната конфигурация зависи от самия продукт или дистрибутора.

Ключ

A	Аларма/Бутон за включване/изключване
---	--------------------------------------

Екран на дисплея

1	температурна настройка 1
2	температурна настройка 2
3	температурна настройка 3
4	температурна настройка 4
5	температурна настройка 5
6	температурна настройка 6

Дисплей

При включване на хладилника екранът на дисплея (включително светлината на бутона) светват за 3 секунди и хладилникът започва работа при температурна настройка 3.

Отчитане на нормална работа

При възникване на неизправност светва съответния светлинен индикатор и се показва кода на неизправността (на дисплея);

При липса на неизправност светлинният индикатор показва точната температурна настройка

ЗАБЕЛЕЖКА

Реалният панел за управление може да се различава при отделните модели.

Инструкции за работа

Настройка на температурата

- Настройката на температурата се променя при всяко натискане на бутона SET. Хладилникът започва да работи с новата настройка след 15 секунди.

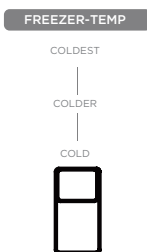
Настройка 1 → Настройка 2 → Настройка 3 → Настройка 4 → Настройка 5 → Настройка 6 → Настройка 1 →

Режим на бързо охлаждане:

- Вход: Режим на бързо охлаждане с промяна на циркулацията.
- Работа: Светва индикаторът за бързо охлаждане и хладилникът започва работа при температура от 2°C.
- Режимът на бързо охлаждане се деактивира автоматично за 24ч
- Функцията за бързо охлаждане може да се използва като функция за супер замразяване.

Ръчно регулиране на бутона за подаване на въздух.

- Придвижването на плъзгача на за подаване на въздух води до падане на температурата във фризерното отделение. Придвижването на плъзгача надолу води до увеличаване на температурата във фризерното отделение.



Код на грешка

- Следните предупредителни сигнали, които се появяват на дисплея, показват съответните неизправности на хладилника. Въпреки че хладилникът може да има функции на охлаждане и замразяване при следните неизправности, потребителят трябва да се свърже със специалист по поддръжката, за да се гарантира нормалната работа на уреда.

Код на грешката	Описание на повредата
Светят LED 1 и LED 2	Сензорна верига за температура на хладилника
Светят LED 1 и LED 3	Сензор за размразяване на фризера
Светят LED 1 и LED 4	Сензор за околна температура

ЗАБЕЛЕЖКА

Бележка: Функцията за бързо замразяване е предназначена да поддържа хранителната стойност на храната във фризера. С нея замразявате храна изключително бързо. Ако замразявате голямо количество храна наведнъж, се препоръчва потребителят да включи функцията за бързо замразяване и да постави храната. По това време скоростта на замразяване на отделението на фризера се увеличава, благодарение на което храната замръзва бързо, ефективно се съхранява хранителната ѝ стойност и се улеснява нейното съхранение.

Хладилна камера

- Хладилната камера е подходяща за съхранение на различни плодове, зеленчуци, напитки и други храни за бърза консумация, като препоръчителното време за съхранение е между 3 до 5 дни.
- Готвените храни не трябва да се слагат в хладилната камера преди да се охладят до стайна температура.
- Препоръчително е преди да се поставят в хладилника, храните да се запечатат.
- Стъклените рафтове могат да се регулират нагоре или надолу, за да се осигури достатъчно място за съхранение и лесна употреба.

Камера за замразяване

- Камерата за замразяване с ниска температура може да запази храната свежа дълго време и се използва основно за замразени храни и за направата на лед.
- Камерата за замразяване е подходяща за съхранение на месо, риба, оризови кюфтета и други храни, които не са за бърза консумация.
- Големите парчета месо е добре да се разделят на по-малки заради бързото замразяване и улеснения достъп. Моля, имайте предвид, че храната трябва да се консумира в рамките на срока на годност.

ЗАБЕЛЕЖКА

Бележка: Съхраняването на твърде много храна по време на работа на уреда след първоначалното свързване към захранването може да се отрази на резултата при замразяване на хладилника.

Ред	ТИП на отделенията	Целева темп. на съхранение [°C]	Подходящи храни
1	Хладилник	+2 ~ +8	Яйца, готвена храна, пакетирана храна, плодове и зеленчуци, млечни продукти, торти, напитки и други храни, които не са подходящи за замразяване.
2	(***)*-Фризер	≤-18	Морска храна (риба, скариди, миди), сладководни продукти и месо (препоръчително за 3 месеца, като при по-дълго съхранение се влошават вкусовите и хранителните качества), подходящо за замразена прясна храна.
3	***-Фризер	≤-18	Морска храна (риба, скариди, миди), сладководни продукти и месо (препоръчително за 3 месеца, като при по-дълго съхранение се влошават вкусовите и хранителните качества), подходящо за замразена прясна храна.
4	** -Фризер	≤-12	Морска храна (риба, скариди, миди), сладководни продукти и месо (препоръчително за 3 месеца, като при по-дълго съхранение се влошават вкусовите и хранителните качества), подходящо за замразена прясна храна.
5	*-Фризер	≤-6	Морска храна (риба, скариди, миди), сладководни продукти и месо (препоръчително за 3 месеца, като при по-дълго съхранение се влошават вкусовите и хранителните качества), подходящо за замразена прясна храна.
6	0 звезди	-6 ~ 0	Прясно свинско, телешко, пилешко месо, риба, някои пакетирани обработени храни и др. (Препоръчва се да се консумират в същия ден, за предпочитане след не повече от 3 дни). Частично запечатани обработени храни (неподлежащи на замразяване храни).
7	Охлаждане	-2 ~ +3	Прясно или замразено свинско, телешко, пилешко месо, сладководни продукти и др. (7 дни под 0°C, а над 0°C се препоръчва при консумация в същия ден и за предпочитане след не повече от 2 дни). Морски храни (под 0°C за 15 дни, не се препоръчва съхранение над 0°C).
8	Прясна храна	0 ~ +4	Прясно свинско, телешко, пилешко месо, риба, готвени храни и др. (Препоръчва се да се консумират в същия ден, за предпочитане след не повече от 3 дни)
9	Вино	+5 ~ +20	Червено вино, бяло вино, пенливо вино и др.

ЗАБЕЛЕЖКА

Моля, съхранявайте различните храни в зависимост от отделенията или целевата температура на съхранение на своите покупки.

ПОЧИСТВАНЕ И ПОДДРЪЖКА

Цялостно почистване

- Прахът зад хладилника и по пода трябва да се почиства своевременно, за да се подобри охладителният ефект и да се спести енергия.
- Проверявайте редовно уплътнението на вратата, за да се уверите, че няма боклуци. Почиствайте уплътнението на вратата с мека кърпа, напоена в сапунена вода или разтворен препарат за миене.
- Вътрешността на хладилника трябва да се почиства редовно, за да се избегнат миризми.
- Изключете захранването преди да почистите вътрешността, извадете всички храни, напитки, рафтове, чекмеджета и пр.
- За да почистите вътрешността на хладилника, използвайте мека кърпа или гъба и две супени лъжици сода за хляб и литър топла вода. След това изплакнете с вода и избършете. След почистването отворете вратата и оставете да изсъхне по естествен начин преди да включите захранването.
- За места в хладилника, които са трудни за почистване, като тесни сандвичи, пролуки или ъгли, се препоръчва да ги забърсвате редовно с мека кърпа, мека четка и други, когато се налага, заедно с някои помощни средства, като тънки клечки например, за да се гарантира, че в тези места няма натрупване на замърсители или бактерии.
- Не използвайте сапун, миещ препарат, абразивна пудра, почистващ спрей и подобни, тъй като могат да причинят миризми във вътрешността на хладилника или замърсяване на храната.
- Почиствайте рамката за бутилки, рафтовете и чекмеджетата с мека кърпа, напоена в сапунена вода или разтворен препарат за миене. Подсушете с мека кърпа или оставете да изсъхне естествено.
- Забършете външната повърхност на хладилника с мека кърпа, напоена със сапунена вода, миещ препарат и пр. и подсушете.
- Не използвайте твърди четки, стоманени телчета, метални четки, абразиви, като паста за зъби, органични разтворители, като алкохол, ацетон, бананово масло и пр., вряла вода, киселина или алкални предмети, които могат да увредят външната повърхност и вътрешността на хладилника. Врялата вода и органичните разтворители, като бензен, могат да деформират или увредят пластмасовите части.
- Не изплаквайте директно с вода или други течности при почистването, за да избегнете късо съединение или увреждане на електрическата изолация след намокрянето.

ЗАБЕЛЕЖКА

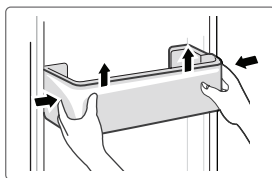
Моля, изключете хладилника от мрежата при размразяване и почистване.

Размразяване

- Хладилникът е проектиран на принципа на въздушното охлаждане и затова има функция за автоматично размразяване. Скрежът, образуван заради смяната на сезона или промяна в температурата, може да бъде отстранен също и ръчно, като изключите уреда от захранването или като забършете със суха кърпа.

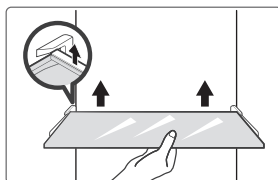
Почистване на тавата на вратата

- Според посоката на стрелката на фигурата по-долу, стиснете с две ръце тавата и я натиснете нагоре, за да я извадите.
- След измиване на извадената тава, можете да регулирате височината на поставяне според нуждите си.



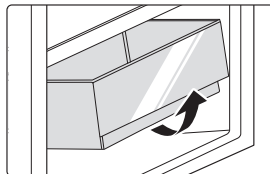
Почистване на стъкления рафт

- Тъй като на най-вътрешната част на облицовката на хладилника, където се опират рафтовете, има заден ограничител, трябва да повдигнете рафтовете нагоре, за да можете да ги извадите.
- Регулирайте и почиствайте рафтовете според вашите изисквания.



Почистване на чекмеджето за зеленчуци

1. Извадете съдържанието на чекмеджето. Хванете дръжката на чекмеджето за зеленчуци и го издърпайте напред докрай, докато не спре.
2. Повдигнете чекмеджето за зеленчуци и го извадете, като го издърпате навън.



Не работи

Спиране на тока:

При спиране на тока, дори лятото, храните в уреда могат да се запазят за няколко часа. При спиране на тока отварянето на вратата трябва да се намали и в уреда не трябва повече да се слага прясна храна.

Ако няма да се използва дълго време:

Уредът трябва да се изключи от контакта и да се почисти, а след това вратите да се оставят отворени, за да се избегнат миризми.

Преместване:

Преди преместването на хладилника, извадете всички неща отвътре, закрепете стъклените прегради, подставката за зеленчуци, чекмеджетата на камерата за замразяване и т.н. с лепяща лента, затегнете нивелиращото краче, затворете вратите и ги закрепете с лентата. При преместването уредът не трябва да се поставя обърнат наопаки или хоризонтално и не трябва да бъде клатен. Наклонът по време на преместването не трябва да е повече от 45°.

ЗАБЕЛЕЖКА

Уредът трябва да работи непрекъснато, след като веднъж е включен. Обикновено работата на уреда не трябва да се прекъсва, в противен случай експлоатационният му живот може да бъде намален.

ОТСТРАНЯВАНЕ НА ПРОБЛЕМИ

Следните прости проблеми могат да се разрешат от потребителя. Обадете се на сервизния отдел, ако проблемите не бъдат отстранени.

Проблем	Възможна причина
Неуспешна работа	• Проверете дали уредът е свързан към захранването или щепселът е добре вкаран в контакта
	• Проверете дали напрежението е твърде ниско.
	• Проверете дали има прекъсване на тока или изключени частични вериги
Миризма	• Ароматните храни трябва да бъдат опаковани плътно
	• Проверете дали няма развалена храна
	• Почистете вътрешността на хладилника
Продължителна работа на компресора	• Продължителната работа на хладилника е нормална през лятото, когато околната температура е висока
	• Не е препоръчително да държите твърде много храна в уреда едновременно
	• Храната трябва да се охлади преди да се сложи в уреда
Лампите не светват	• Проверете дали хладилникът е свързан към електрозахранването и дали лампата не е повредена
	• Лампата трябва да се смени от специалист.
	• Проверете дали лампата е в правилно положение
Вратата не може да се затвори правилно	• Пакети с храна пречат на вратата да се затвори плътно
	• Хладилникът е наклонен.
Силен шум	• Проверете дали подът е равен и дали хладилникът е поставен правилно
	• Проверете дали аксесоарите са поставени на правилните места

Проблем	Възможна причина
Уплътнението на вратата не е здраво	<ul style="list-style-type: none"> • Почистете уплътнението на вратата • Нагрейте уплътнението на вратата, а после го охладете, за да се възстанови (или го продухайте с електрически сешоар или използвайте гореща кърпа за загряване)
Съдът за вода прелива	<ul style="list-style-type: none"> • Има твърде много храна в камерата или съхраняваната храна съдържа твърде много вода, което води до често размразяване • Вратите не са затворени правилно, което води до заскрежаване заради влизането на въздух и повече вода заради размразяването
Горещ корпус	<ul style="list-style-type: none"> • Разсейването на топлината от вградения кондензатор посредством корпуса е нормално. Когато корпусът се нагрее поради по-висока околна температура, съхранение на твърде много храна или спиране на компресора, осигурете обилно проветрение, за да улесните разсейването на топлината.
Кондензация по повърхността	<ul style="list-style-type: none"> • Кондензацията по външната повърхност и уплътненията на вратите на хладилника е нещо нормално, когато влажността на околната среда е твърде висока. Просто избършете кондензата с чиста кърпа.
Необичаен шум	<ul style="list-style-type: none"> • Бръмчене: Компресорът може да бръмчи по време на работа, а бръмченето е силно особено при включване и спиране. Това е нормално. • Скърцане: Хладилният агент, който тече вътре в уреда, може да предизвика скърцане, което е нормално.

ДОПЪЛНЕНИЕ

Специално за новия европейски стандарт

Описаните в долната таблица резервни части могат да се получат по реда, определен от доставчика на услуги.

Поръчана част	Предоставена от	Минимално време, необходимо за предоставяне
Термостати	Професионален обслужващ персонал	Поне 7 години след пускането на пазара на последния модел
Температурни датчици	Професионален обслужващ персонал	Поне 7 години след пускането на пазара на последния модел
Печатни електронни платки	Професионален обслужващ персонал	Поне 7 години след пускането на пазара на последния модел
Източник на светлина	Професионален обслужващ персонал	Поне 7 години след пускането на пазара на последния модел
Дръжки за врата	Професионални сервизни техници и крайни потребители	Поне 7 години след пускането на пазара на последния модел
Панти за вратите	Професионални сервизни техници и крайни потребители	Поне 7 години след пускането на пазара на последния модел
Тави	Професионални сервизни техници и крайни потребители	Поне 7 години след пускането на пазара на последния модел
Кошници	Професионални сервизни техници и крайни потребители	Поне 7 години след пускането на пазара на последния модел
Уплътнения на вратите	Професионални сервизни техници и крайни потребители	Поне 10 години след пускането на пазара на последния модел

Уважаеми клиенти,

1. Ако искате да върнете или замените продукта, моля, свържете се с магазина, от който сте го купили.

(Не забравяйте да донесете фактурата за покупката)

2. Ако вашият продукт се повреди и трябва да се поправи, моля, свържете се с представител, предлагащ следпродажбено обслужване.

● ЗАБЕЛЕЖКА

Информацията за модела в продуктовата база данни, както и идентификаторът на модела, могат да бъдат получени на уеб връзката, сканирана чрез QR кода (ако е наличен) на етикета за енергийна ефективност на продукта.

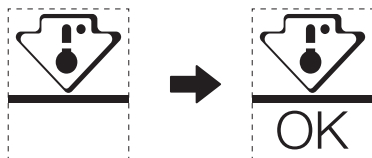
За повече информация относно енергийната ефективност на уреда, посетете <https://ec.europa.eu> и потърсете името на модела.

Името на модела се намира на табелката с характеристики на уреда.

Най-студена зона на хладилника

ОПЦИОНАЛНО: Индикатор за добра температура

- Индикаторът за добра температура може да се използва за определяне на температури под +4°C. Постепенно намалете температурата, ако знакът не показва „OK“.



- За да осигурите правилната температура в тази зона, не променяйте разположението на този рафт. При хладилниците с принудителен въздух (моделите, снабдени с вентилатор или обезскрежаване) няма символ за най-студена зона, тъй като температурата в тях е равномерно разпределена.

Настройка на температурния индикатор

- С цел по-добра настройка на вашия хладилник, той е снабден с температурен индикатор, който следи средната температура в най-студената зона.
- ПРЕДУПРЕЖДЕНИЕ:** Този индикатор е предназначен да работи единствено с вашия хладилник. Не го използвайте за друг хладилник (където най-студената зона е различна) или по какъвто и да е друг начин.

Проверка на температурата в най-студената зона

- С помощта на температурния индикатор можете редовно да проверявате дали температурата в най-студената зона е правилна. Температурата във вътрешността на хладилника в действителност зависи от няколко фактора, сред които са околната температура в помещението, количеството съхранявана храна и честотата на отваряне на вратата. Вземете предвид тези фактори, когато настройвате уреда.
- Когато индикаторът показва „OK“, това означава, че термостатът е настроен подходящо и вътрешната температура е правилна.
- Ако цветът на температурния индикатор стане БЯЛ, това означава, че температурата е твърде висока. В такъв случай увеличете настройката за температурата на хладилника и изчакайте 12 часа, преди да проверите индикатора отново. Възможно е индикаторът да стане БЯЛ известно време след добавяне на нова храна или след като вратата била оставена отворена.

ДОКУМЕНТИ И СЕРТИФИКАТИ

Декларация за съответствие

С настоящото потвърждаваме, че следните имена на потребителски модели и имена на модели на Midea отговарят едни на други.

Марка	Midea модел	Модел на пазара	Фабричен модел
Midea	HD-403RWENJ	MDRB424FGE01I	CE-BCD310WE-JT
Midea	HD-403RWENJ	MDRB424FGE02I	CE-BCD310WE-JT

Име на производителя: Guangzhou Midea Hualing Refrigerator Co., Ltd.
Адрес на производителя: No. 5 Xinguangsi Road, Qianfeng Zhujiang, Nansha District, Guangzhou City, Guangdong Province, Китайска народна република

Ние, Guangzhou Midea Hualing Refrigerator Co., Ltd., с настоящото декларираме, че горепосочените продукти отговарят на горепосочените актуални регулации и стандарти.

LETRA E FALËNDERIMIT

Ju faleminderit që zgjodhët Midea! Përpara përdorimit të produktit tuaj Midea, ju lutemi që ta lexoni plotësisht këtë manual, për t'u siguruar që të dini të përdorni me siguri veçoritë dhe funksionet që ofron pajisja juaj e re.

PËRMBAJTJA

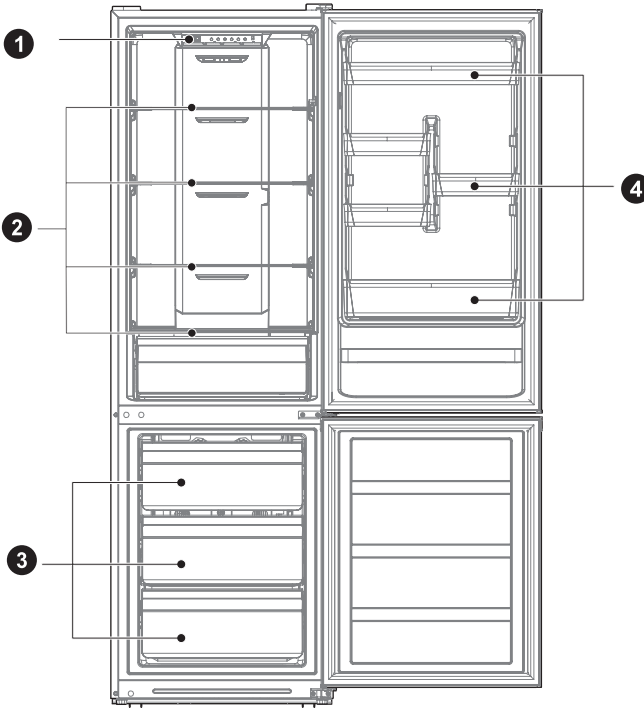
LETRA E FALËNDERIMIT	01
SPECIFIKIMET	02
PAMJE E PËRGJITHSHME E PRODUKTIT	03
INSTALIMI I PRODUKTIT	04
UDHËZIMET E PËRDORIMIT	11
PASTRIMI DHE MIRËMBAJTJA	15
ZGJIDHJA E PROBLEMEVE	17
SHTOJCË	19
DOKUMENTET DHE CERTIFIKIMET	21

SPECIFIKIMET

Modeli i produktit	MDRB424FGE01 MDRB424FGE02
Vëllimi i dhomës për ruajtjen e ushqimeve të freskëta	224 L
Vëllimi i ruajtjes së ushqimeve të ngrira	86 L
Lloji i shkrijes	Shkrije automatike
Koha e rritjes së temperaturës	8 h
Kapaciteti i ngrirjes	3,9 kg/24h
Tensioni nominal	220-240 V-
Rryma nominale	0,8 A
Përmasat e përgjithshme (La x Gje x Tra)	1880X595x630 mm

PAMJE E PËRGJITHSHME E PRODUKTIT

Emrat e përbërësve



1 Sirtar

2 Raft

3 Sirtar

4 Tabakaja e derës

MBANI PARASYSH

Figura e mësipërme është vetëm për referencë. Konfigurimi aktual do të varet nga produkti fizik ose deklarata e distributorit.

AL

INSTALIMI I PRODUKTIT

Udhëzimet e instalimit

Për pajisjet ftohëse me kategori klimaterike

- Në varësi të kategorisë klimaterike, kjo pajisje ftohëse është bërë për t'u përdorur në temperaturë ambienti siç përcaktohet në tabelën e mëposhtme.
- Kategoria klimaterike mund të gjendet në etiketën e të dhënave. Produkti mund të mos punojë normalisht në temperatura jashtë rrezes së specifikuar.
- Kategorinë klimatike mund ta gjeni në etiketën e produktit.

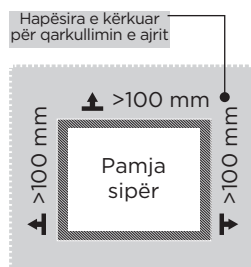
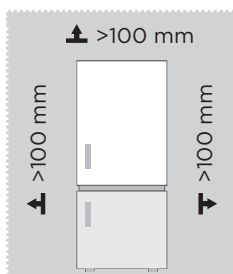
Rrezja e temperaturës së efektshme

- Produkti bërë që të punojë normalisht në gamën e temperaturave të specifikuar në klasifikim.

Kategoria	Simboli	Diapazoni i temperaturës së ambientit në °C	
		IEC 62552 (ISO 15502)	ISO 8561
Temperaturë mesatare e zgjeruar	SN	+ 10 deri në + 32	+ 10 deri në + 32
Temperaturë mesatare	N	+ 16 deri në + 32	+ 16 deri në + 32
Nëntropikale	ST	+ 16 deri në + 38	+ 18 deri në + 38
Tropikale	T	+ 16 deri në + 43	+ 18 deri në + 43

Përmasat dhe hapësirat

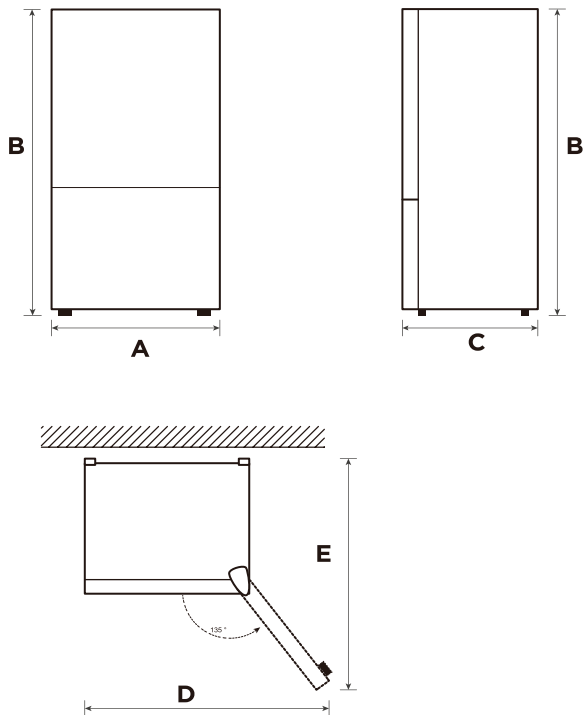
- Distanca shumë e vogël nga sendet e afërta mund të rezultojë në përkeqësim të aftësisë ngrirëse dhe në rritje të kostove të energjisë elektrike. Lejoni më shumë se 100 mm hapësirë nga çdo mur në afërsi kur të instaloni pajisjen.



MBANI PARASYSH

Figura e mësipërme është vetëm për referencë. Konfigurimi aktual do të varet nga produkti fizik ose deklarata e distributorit.

Diagrami i kërkesës së hapësirës (kur dera është e hapur dhe kur dera është e mbyllur)



Gjerësia	Lartësia e përgjithshme	Thellësia	Gjerësia me dyer të hapura 135°	Thellësia me dyer të hapura 135°
A	B	C	D	E
595	1880	630	988	1074

Njoftim: Të gjitha përmasat në mm

AL

Ndryshimi i derës djathtas-majtas (opsional)

Bazuar në vendndodhjen ku planifikoni që ta përdorni frigoriferin, mund t'ju duket më komode që të ndërroni pozicionin e derës.

KUJDES

KUJDES: Për të shmangur lëndimin për vete ose pronën tuaj, ju rekomandojmë që t'ju ndihmojë dikush gjatë procesit të ndërrimit të derës.

Përgatitja për të ndërruar pozicionin e derës

Do t'ju duhet: Një kaçavidë standarde, një kaçavidë kryq dhe çelësi i përfshirë.

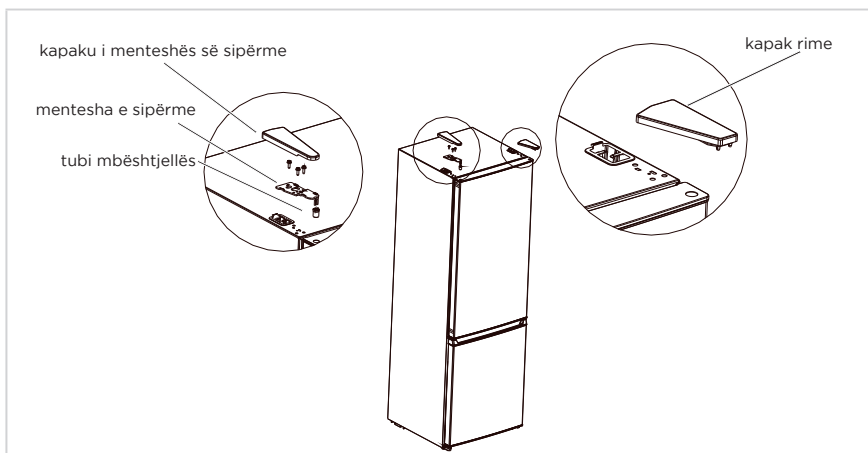
- Sigurohuni që frigoriferi të jetë hequr nga priza dhe të jetë bosh.
- Kini dikë të disponueshëm që t'ju ndihmojë gjatë procesit.
- Ruajini të gjitha pjesët që hiqni, për t'i përdorur sërish më vonë.

Veglat që nevojiten për të ndërruar derën:

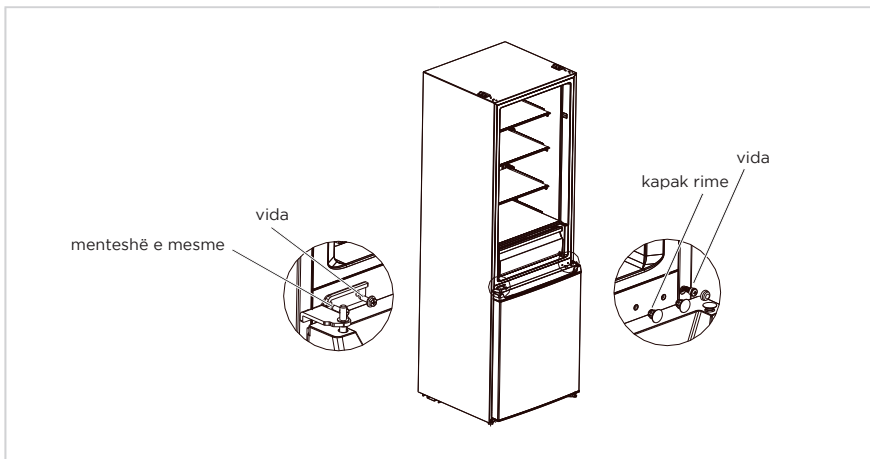


Shkallë

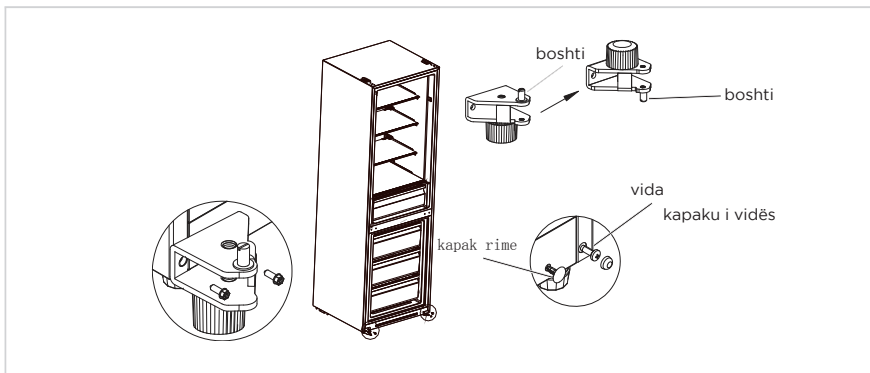
1. Fikeni frigoriferin dhe hiqni të gjitha objektet nga mbajtëset e derës.
2. Çmontoni kapakun e sipërm të menteshës, shkëputni telat e sinjalit, menteshën e sipërme dhe kapakun e vrimës në anën tjetër, hiqni derën e frigoriferit.



3. Çmontoni menteshën e mesit, vidat, kapakët e vrimave të vidave dhe hiqni derën e ngrirësit.

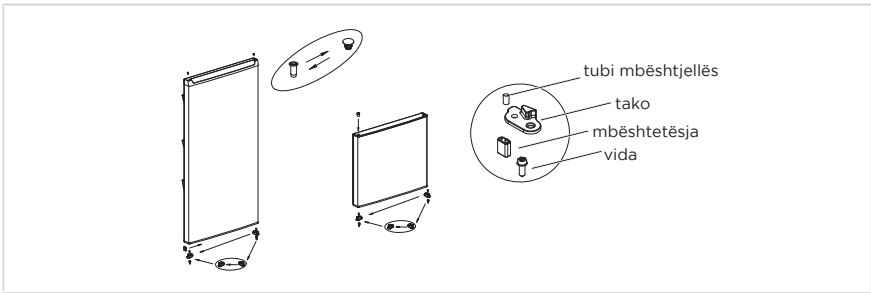


4. Çmontoni menteshën e poshtme, kapakët e vrimave dhe vidat. Vendosni boshtin e menteshës së poshtme dhe rregulloni këmbën në anën tjetër të menteshës së poshtme, pastaj vendosni menteshën në anën tjetër.

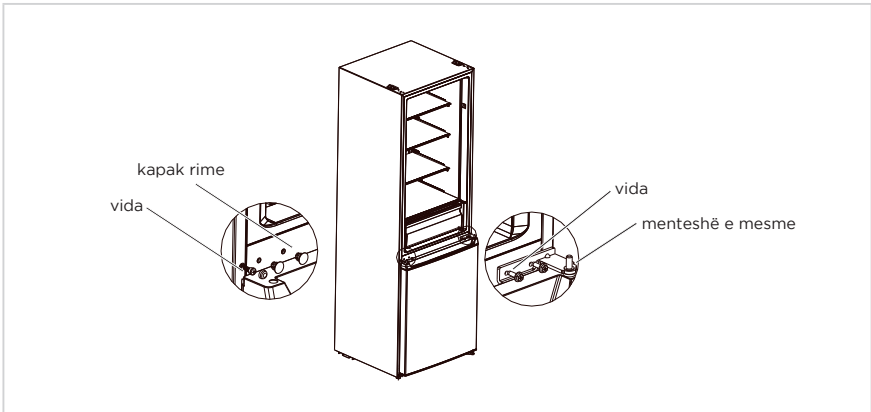


5. Çmontoni vidën, tubin e fashos dhe ndaluesin nga dera e frigoriferit dhe dera e ngrirësit dhe hiqni mbështetësen në kapakun e poshtëm të derës së frigoriferit. Pastaj vendosini me radhë në anën tjetër të dyerve. (Hiqni ndaluesin e poshtëm nga paketa e aksesorëve)
6. Ndërroni pozicionin e tubit të fashos dhe kapakun e vrimës në kapakun e sipërm të derës së frigoriferit dhe vendosni fashon e menteshës së sipërme në derën e ngrirësit te vrima në anën tjetër të fashos së aksit.

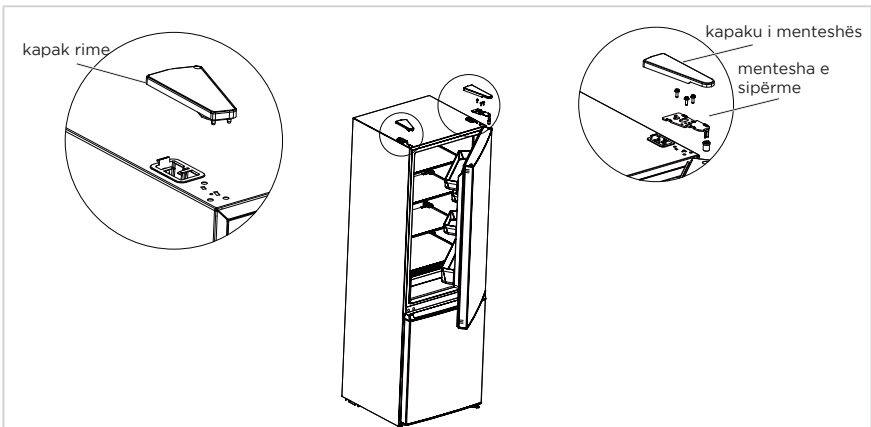
AL



7. Vendosi derën e ngrirësit në menteshën e poshtme, vendosni menteshën e mesit, vidat dhe kapakët e vrimave të vidave.



8. Vendosi derën e frigoriferit te mentesha e mesit, vendosni menteshën e sipërme, kapakun e menteshës dhe kapakun e vrimës.



● MBANI PARASYSH

Figura e mësipërme është vetëm për referencë. Konfigurimi aktual do të varet nga produkti fizik ose deklarata e distributorit.

Vendosja

- Përpara përdorimit, hiqni të gjitha materialet e paketimit, duke përfshirë jastëkët e poshtëm, format prej shkume dhe ngjitëset brenda frigoriferit; hiqni shtresën mbrojtëse nga dyert dhe nga trupi i frigoriferit.
- Mbajeni larg nxehtësisë dhe shmangni dritën e drejtpërdrejtë të diellit. Mos e vendosni ngrirësin në vende me lagështi ose ujë, për të parandaluar ndryshkjen ose uljen e efektit izolues.
- Mos e spërkatni ose mos e lani frigoriferin; mos e vendosni frigoriferin në vende me lagështi ku mund të spërkatet lehtë me ujë, në mënyrë që të mos dëmtoni izolimin elektrik të frigoriferit.
- Frigoriferi vendoset në një ambient të brendshëm me ajrosje të mirë; dyshemeja duhet të jetë e rrafshët dhe e fortë (nëse është e paqëndrueshme, kthejeni majtas ose djathtas për të rregulluar për të niveluar rrotat).



Këmbët e nivelimit

Për të shmangur dridhjet, njësia duhet që të nivelohet.

Nëse nevojitet, rregulloni vidat e nivelimit për të kompensuar nivelin e dyshemesë.

Pjesa e përparme duhet të jetë pak më lart sesa e pasmja, për të ndihmuar mbylljen e derës.

Vidat e nivelimit mund të rrotullohen lehtësisht, duke e ngritur pak kabinetin.

Rrotullojini vidat e nivelimit në drejtim të kundërt të akrepave të orës  për ta ngritur njësinë dhe në drejtimin e akrepave të orës  për ta ulur atë.

Lëvizja e pajisjes

1. Hiqni të gjitha ushqimet nga brenda pajisjes.
2. Hiqni spinën e korrentit, vendoseni dhe fiksojeni te kapësja e spinës së korrentit, në pjesën e pasme ose mbi pajisje.
3. Vendosni ngjitëse te raftet dhe doreza e derës, për të parandaluar rënien gjatë lëvizjes së pajisjes.
4. Lëvizeni pajisjen me kujdes me më shumë se dy persona. Kur ta transportoni pajisjen në distancë të gjatë, mbajeni vertikalisht.
5. Pas instalimit të pajisjes, lidhni spinën e korrentit te priza, për të ndezur pajisjen.

MBANI PARASYSH

Masa paraprake përpara përdorimit:

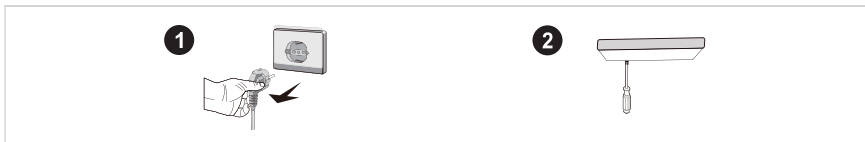
Përpara se të bëni ndryshime, duhet të hiqni frigoriferin nga rryma. Duhet të merren masa paraprake për të parandaluar lëndimin e personit.

Ndërrimi i dritës

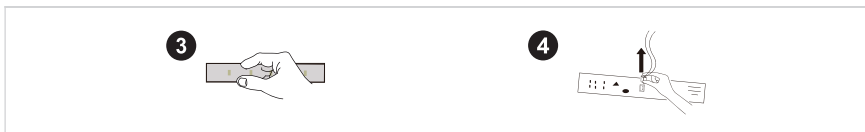
- Çdo ndërrim ose mirëmbajtje e llambave LED synohet që të kryhet nga prodhuesi, agjenti i tij i shërbimit ose nga një person me kualifikim të ngjashëm. Ky produkt përmban një burim drite të kategorisë me kursim energjie <F>.

Shkallë

1. Ju lutem hiqeni spinën para se ta nxirrni.
2. Hiqeni kapakun e dritës me kaçavidë.



3. Hiqni panelin e llambës.
4. Hiqni terminalin e lidhjes.



Lidhja e pajisjes

Përpara përdorimit fillestar, mbajeni frigoriferin për gjysmë ore pa punë, përpara se ta lidhni me rrymën.

MBANI PARASYSH

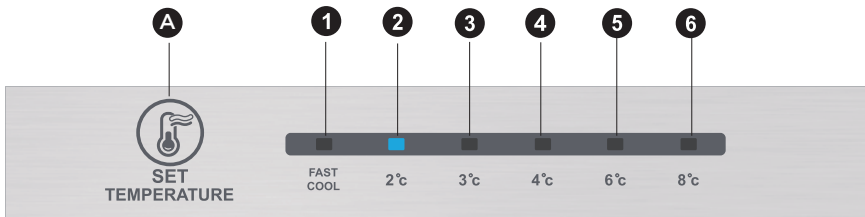
Përpara se të vendosni ushqime të freskëta ose të ngrira, frigoriferi duhet të punojë për 2-3 orë ose për mbi 4 orë në verë, kur temperatura e ambientit është e lartë.

Këshilla për kursimin e energjisë

- Pajisja duhet të vendoset në zonën më të freskët të dhomës, larg pajisjeve që prodhojnë nxehtësi ose tubave të ngrohjes dhe larg dritës së drejtpërdrejtë të diellit.
- Lërimi ushqimet e nxehta të arrijnë temperaturën e ambientit përpara se t'i vendosni në pajisje. Mbingarkimi i pajisjes e detyron kompresorin që të punojë më shumë. Ushqimet që ngrijnë shumë ngadalë mund të humbasin cilësinë ose të prishen.
- Sigurohuni që t'i mbështillni ushqimet mirë dhe që t'i thani enët përpara se t'i vendosni në pajisje. Kjo redukton krijimin e brymës brenda pajisjes.
- Koshi i ruajtjes së pajisjes nuk duhet veshur me letër alumini, letër dylli ose letra kuzhine. Shtresat pengojnë qarkullimin e ajrit të ftohtë, duke e bërë pajisjen më pak efikase.
- Organizoni dhe etiketoni ushqimin për të reduktuar hapjen e derës dhe kërkimet e gjata. Hiqni sa më shumë artikuj që ju nevojiten në një kohë dhe mbylleni derën sa më shpejt që të jetë e mundur.

UDHËZIMET E PËRDORIMIT

Paneli i kontrollit



● MBANI PARASYSH

Figura e mësipërme është vetëm për referencë. Konfigurimi aktual do të varet nga produkti fizik ose deklarata e distributorit.

Tasti

A	Butoni i alarmit/ndezyes/fikjes
---	---------------------------------

Fusha e ekranit

1	caktimi 1 i temperaturës
2	caktimi 2 i temperaturës
3	caktimi 3 i temperaturës
4	caktimi 4 i temperaturës
5	caktimi 5 i temperaturës
6	caktimi 6 i temperaturës

Ekрани

Kur ndizet frigoriferi, ekrani i afishimit (duke përfshirë dritën e tastit) do të ndriçojë plotësisht për 3 sekonda, pastaj frigoriferi punon sipas caktimit 3 të temperaturës.

Afishimi kur punon normalisht

Në rast defekti, drita përkatëse LED do të japë një afishim të kombinuar të kodit të defektit (në afishimin që riqarkullon);

Kur nuk ka defekt, drita LED do të afishojë caktimin ekzistues të temperaturës.

● MBANI PARASYSH

Paneli aktual i kontrollit mund të ndryshojë në varësi të modelit.

AL

Udhëzimet e përdorimit

Caktimi i mekanizmit

- Caktimi i temperaturës do të ndryshohet një herë me radhë kur të keni shtypur tastin SET. Më pas, frigoriferi do të punojë në vlerën e re të caktimit pas 15 sekondash.

Caktimi 1 → Caktimi 2 → Caktimi 3 → Caktimi 4 → Caktimi 5 → Caktimi 6 → Caktimi 1 →

Regjimi i ftohjes së shpejtë:

- Hyni: Regjim ftohjeje i shpejtë me modulim çarkullimi.
- Përdorni: Treguesi i ftohjes së shpejtë ndizet dhe frigoriferi punon në 2°C.
- Regjimi i ftohjes së shpejtë çaktivizohet automatikisht për 24 orë.
- Funksioni i ftohjes së shpejtë mund të përdoret si funksion ngrirjeje super.

Rregullimi i çelësit manual të lagështuesit të ajrit

- Ngrini rrëshqitësin e lagështuesit të ajrit dhe temperatura aktuale brenda dhomës së ngrirës do të bjerë, ulni rrëshqitësin e lagështuesit të ajrit dhe temperatura aktuale brenda dhomës së ngrirës do të rritet.

FREEZER-TEMP

COLDEST

COLDER

COLDER

COLD



Kodi i gabimit

- Paralajmërimet e mëposhtme shfaqen në ekran për të treguar defektet përkatëse të frigoriferit. Ndonëse frigoriferi mund të vazhdojë të ketë funksion ftohjeje dhe ngrirjeje me defektet e mëposhtme, përdoruesi duhet të kontaktojë një specialist mirëmbajtjeje për mirëmbajtje, në mënyrë që të sigurojë përdorimin normal të frigoriferit.

Kodi i defektit	Përshkrimi i defektit
Drita LED 1 dhe LED 2 të ndezura	Garku i sensorit të temperaturës së frigoriferit
Drita LED 1 dhe LED 3 të ndezura	Sensori i shkrires së ngrirës
Drita LED 1 dhe LED 4 të ndezura	Sensori i temperaturës së ambientit

● MBANI PARASYSH

Shënim: Funksioni i ngrirjes së shpejtë është krijuar për të ruajtur vlerën ushqyese të ushqimit në ngrirës. Mund të ngrijë ushqimin në kohën më të shkurtër. Nëse një sasi e madhe ushqimi vendoset në ngrirje njëherësh, rekomandohet që përdoruesi të aktivizojë funksionin e ngrirjes së shpejtë dhe ta fusë ushqimin brenda. Në këtë kohë, shpejtësia e ngrirjes së ndarësit të ngrirës rritet, e cila mund të ngrijë shpejt ushqimin, të bllokojë në mënyrë efektive vlerat ushqyese të ushqimit dhe të lehtësojë ruajtjen.

Hapësira e ftohjes

- Hapësira e ftohjes është e përshtatshme për ruajtjen e frutave, perimeve, pijeve dhe ushqimeve të tjera që konsumohen brenda një afati të shkurtër, koha e sugjeruar e ruajtjes është nga 3 ditë në 5 ditë.
- Ushqimet e gatuar nuk duhet të vendosen në hapësirën e ftohjes derisa të jenë ftohur në temperaturë ambiente.
- Përpara vendosjes në frigorifer, rekomandohet që ushqimet të izolojnë.
- Raftet prej xhami mund të ngrihen lart ose poshtë për të rregulluar hapësirën e ruajtjes me një përmasë të arsyeshme dhe për lehtësi përdorimi.

Dhoma e ngrirjes

- Hapësira e ngrirjes me temperaturë të ulët mund ta mbajë ushqimin të freskët për një kohë të gjatë dhe përdoret kryesisht për të ruajtur ushqime të ngrira dhe për të prodhuar akull.
- Hapësira e ngrirjes është e përshtatshme për ruajtjen e mishit, peshkut, orizit dhe ushqimeve të tjera që nuk do të konsumohen brenda një periudhe të shkurtër.
- Thelat e mishit preferohet që të ndahen në copa të vogla, që të ngrijnë shpejt dhe të merren lehtësisht. Mbani parasysh që ushqimi duhet të konsumohet brenda periudhës së ruajtjes.

MBANI PARASYSH

Shënim: Ruajtja e një sasive shumë të madhe ushqimi gjatë përdorimit të parë, mund të ndikojë negativisht në funksionin e ngrirjes te frigoriferi.

Rendi	LLOJI i hapësirës	Temperatura e synuar e ruajtjes [°C]	Ushqimi i përshtatshëm
1	Frigoriferi	+2 - +8	Vezët, ushqimet e gatuar, ushqimet e paketuara, frutat dhe perimet, produktet e bulmetit, kekët, pijet dhe ushqimet e tjera nuk janë të përshtatshme për ngrirje.
2	(***)*-Ngrirësi	≤-18	Produktet e detit (peshqit, karkalecat e detit, midhjet), produktet e ujit të ëmbël dhe produktet e mishit (rekomandohet për 3 muaj; sa më e gjatë të jetë koha e ruajtjes, aq më e keqe është shija dhe vlerat ushqyese), e përshtatshme për ngrirjen e ushqimeve të freskëta.
3	****-Ngrirësi	≤-18	Produktet e detit (peshqit, karkalecat e detit, midhjet), produktet e ujit të ëmbël dhe produktet e mishit (rekomandohet për 3 muaj; sa më e gjatë të jetë koha e ruajtjes, aq më e keqe është shija dhe vlerat ushqyese), e përshtatshme për ngrirjen e ushqimeve të freskëta.
4	** -Ngrirësi	≤-12	Produktet e detit (peshqit, karkalecat e detit, midhjet), produktet e ujit të ëmbël dhe produktet e mishit (rekomandohet për 3 muaj; sa më e gjatë të jetë koha e ruajtjes, aq më e keqe është shija dhe vlerat ushqyese), e përshtatshme për ngrirjen e ushqimeve të freskëta.
5	*-Ngrirësi	≤-6	Produktet e detit (peshqit, karkalecat e detit, midhjet), produktet e ujit të ëmbël dhe produktet e mishit (rekomandohet për 3 muaj; sa më e gjatë të jetë koha e ruajtjes, aq më e keqe është shija dhe vlerat ushqyese), e përshtatshme për ngrirjen e ushqimeve të freskëta.
6	0-yje	-6 - 0	Mishi i freskët i derrit, i lopës, i pulës, disa ushqime të përpunuara të paketuara etj. (Rekomandohen që të hahen brenda ditës, preferohet jo më shumë se 3 ditë). Ushqime të përpunuara të paketuara pjesërisht (ushqime që nuk duhet të ngrijnë).
7	Ftohje	-2 - +3	Mish derri i freskët/i ngrirë, mish lope, mish pule, produkte uji të ëmbël etj. (7 ditë nën 0°C dhe mbi 0°C rekomandohet për konsum brenda asaj dite, preferohet jo më shumë se 2 ditë). Produktet e detit (jo më pak se 0 për 15 ditë, nuk rekomandohet të ruhet mbi 0°C.)
8	Ushqim i freskët	0 - +4	Mishi i freskët i derrit, i lopës, i pulës, ushqime të gatuar etj. (Rekomandohen që të hahen brenda ditës, preferohet jo më shumë se 3 ditë)
9	Verë	+5 - +20	Verë e kuqe, verë e bardhë, verë me gaz etj.

MBANI PARASYSH

Ju lutemi t'i ruani ushqimet e ndryshme në përputhje me hapësirat ose temperaturat e synuara të ruajtjes që janë blerë.

PASTRIMI DHE MIRËMBAJTJA

Pastrimi i përgjithshëm

- Pluhuri pas frigoriferit dhe në tokë duhet të pastrohet në kohë për të përmirësuar funksionin e ftohjes dhe për të kursyer energji.
- Kontrolloni rregullisht gominën e derës për t'u siguruar që nuk ka papastërti. Pastroni gominën e derës me një leckë të butë, të njomur me ujë me sapun ose detergjent të holluar.
- Pjesa e brendshme e frigoriferit duhet të pastrohet rregullisht për të shmangur aromat e këqija.
- Përpara se të pastroni pjesën e brendshme, shkëputni energjinë, hiqni të gjitha ushqimet, pijet, raftet, sirtarët etj.
- Përdorni një leckë të butë ose sfungjer për ta pastruar frigoriferin nga brenda, me dy lugë kafeje sodë buke dhe një litër ujë të ngrohtë. Pastaj shpëlajeni me ujë dhe fshijeni mirë. Pas pastrimit, hapni derën dhe lëreni të thahet vetë përpara se ta rindizni.
- Për zonat e vështira për t'u pastruar në frigorifer (si bashkimet e ngushta, hapësirat e ngushta ose cepat), rekomandohet që t'i fshini rregullisht me një leckë të butë, furçë të butë etj. dhe kur të jetë e nevojshme, ta kombinoni me disa mjete shtesë (si p.sh. shkopinj të hollë) për t'u siguruar që në ato zona të mos grumbullohen ndotës ose baktere.
- Mos përdorni sapun, detergjent, pluhur për ta fërkuar, pastrues me spërkatje etj. sepse këto mund të krijojnë aroma të këqija në frigorifer ose të ndotin ushqimin.
- Pastroni vendin e shisheve, raftet dhe sirtarët me një leckë të butë, të njomur me ujë me sapun ose detergjent të holluar. Thajeni me një leckë të butë ose lëreni të thahet vetë.
- Fshini sipërfaqen e jashtme të frigoriferit me një leckë të butë të njomur me ujë me sapun, detergjent etj. dhe pastaj fshijeni.
- Mos përdorni furça të forta, tela pastrimi, furça me tel, gërryes (si pastë dhëmbësh), tretës organikë (si alkool, aceton, vaj bananeje etj.), ujë të vluar, artikuj me acid ose alkale, të cilat mund të dëmtojnë sipërfaqen e frigoriferit dhe pjesën e brendshme. Uji i vluar dhe tretësit organikë si benzeni mund të deformatojë ose të dëmtojë pjesët plastike.
- Mos e shpëlani drejtpërdrejt me ujë ose lëngje të tjera gjatë pastrimit për të shmangur qarkun e shkurtër ose dëmtimin e izolimit elektrik pas zhytjes në ujë.

MBANI PARASYSH

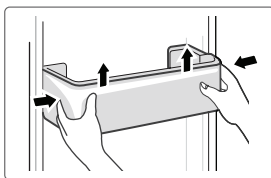
Ju lutemi ta shkëputni frigoriferin kur ta shkruani dhe ta pastroni.

Shkrija e akullit

- Frigoriferi është prodhuar me parimin e ftohjes së ajrit dhe si rrjedhojë, ka funksion shkrijeje automatike. Bryma që formohet për shkak të stinës ose temperaturës mund të hiqet gjithashtu manualisht duke e shkëputur pajisjen nga furnizimi me energji ose duke e fshirë me një peshqir të thatë.

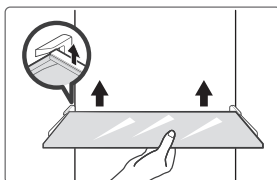
Pastrimi i tabakasë së derës

- Në përputhje me drejtimin e shigjetave në figurën e mëposhtme, përdorni të dyja duart për ta shtypur tabakanë dhe shtyjeni për lart dhe pastaj mund ta nxirrni.
- Pas larjes së tabakasë kur ta keni nxjerrë, mund të rregulloni lartësinë e saj në përputhje me kërkesat tuaja.



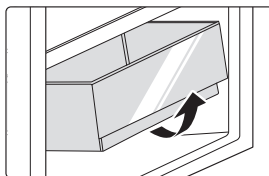
Pastrimi i raftit prej xhami

- Meqenëse pjesa fundore e veshjes së frigoriferit ku bën kontakt me raftet ka një ndalesë, duhet t'i ngrini raftet lart dhe atëherë mund t'i hiqni.
- Rregulloni ose pastroni raftet sipas nevojës suaj.



Pastrimi i raftit të perimeve

1. Hiqni artikujt nga rafti. Mbani dorezën e raftit të perimeve dhe tërhiqeni plotësisht derisa të ndalojë.
2. Ngrini lart raftin e perimeve dhe hiqeni duke e tërhequr.



Kur nuk përdoret

Ndërprerje energjie:

Në rast ndërprerjeje energjie, edhe kur është verë, ushqimet brenda pajisjes mund të ruhen për disa orë; gjatë ndërprerjes së energjisë dyert nuk duhet të hapen shumë herë dhe të mos vendosen ushqime të tjera të freskëta në pajisje.

Kur nuk përdoret për një kohë të gjatë:

Pajisja duhet të shkëputet dhe të pastrohet, pastaj dyert të mbahen hapur për të parandaluar aromat e këqija.

Kur transferoheni:

Përpara se të transferoni frigoriferin, hiqni të gjitha artikujt jashtë, fiksoni pjesët prej xhami, mbajtësin e perimeve, sirtarët e hapësirës së ngrirjes etj. me ngjitëse dhe shtrëngoni këmbët e nivelimit, mbyllni dyert dhe fiksojini me ngjitëse. Gjatë transportimit, pajisja nuk duhet të vendoset me kokë poshtë ose horizontalisht ose të dridhet; këndi gjatë transportimit nuk duhet të jetë më i madh se 45°.

● MBANI PARASYSH

Pas ndezjes, pajisja duhet të mbahet në punë vazhdimisht. Përgjithësisht, përdorimi i pajisjes nuk duhet të ndërpritet; përndryshe mund të shkurtohet jetëgjatësia e shërbimit.

ZGJIDHJA E PROBLEMEVE

Problemet e thjeshta të mëposhtme mund të zgjidhen nga përdoruesi. Ju lutem të telefononi servisin nëse problemet nuk zgjidhen.

Problemi	Arsyeja e mundshme
Pajisja nuk punon	• Kontrolloni nëse pajisja është lidhur në rrymë ose nëse spina është vendosur mirë.
	• Kontrolloni nëse tensioni është shumë i ulët.
	• Kontrolloni nëse ka ndërprerje energjie ose ka rënë ndonjë siguresë.
Aromë e keqe	• Mbështillni mirë ushqimet me erë të fortë.
	• Kontrolloni nëse ka ushqime të prishura.
	• Pastroni pjesën e brendshme të frigoriferit.
Përdorimi i kompresorit për një kohë të gjatë.	• Përdorimi i frigoriferit për një kohë të gjatë është normal gjatë verës kur temperatura e ambientit është e lartë.
	• Nuk sugjerohet që të mbani shumë ushqim në pajisje në të njëjtën kohë.
	• Përpara se të vendosen në pajisje, ushqimet duhet të ftohen.
Dyert hapen shumë shpesh.	• Dyert hapen shumë shpesh.
	• Kontrolloni nëse frigoriferi është lidhur me furnizimin me energji dhe nëse drita është e dëmtuar.
	• Ndërrojeni dritën me një specialist
Dera nuk mund të mbyllet siç duhet	• Dera ka ngecur nga paketimet e ushqimit
	• Frigoriferi është i anuar.
Zhurmë e lartë	• Kontrolloni nëse dyshemeja është në nivel dhe nëse frigoriferi është vendosur që të mos lëvizë.
	• Kontrolloni nëse pjesët janë vendosur në vendet e duhura.

Problemi	Arsyeja e mundshme
Gomina e derës nuk mbyllet mirë	<ul style="list-style-type: none"> • Hiqni materialet e huaja nga gomina e derës. • Ngrohni gominën e derës dhe pastaj ftohni që të rikthehet forma (për ta ngrohur përdorni një tharëse flokësh ose një peshqir të nxehtë).
Tabakaja e mbledhjes së ujit derdhet	<ul style="list-style-type: none"> • Ka shumë ushqim brenda hapësirës ose ushqimi i ruajtur ka shumë ujë, që sjell shkrirje të madhe. • Dyert nuk janë mbyllur saktë, duke krijuar brymë kur hyn ajri dhe rritje të nivelit të ujit për shkak të shkrirjes.
Fole e nxehtë	<ul style="list-style-type: none"> • Përhapja e nxehtësisë së kondensatorit të integruar nga foleja është normale. Kur foleja nxehet për shkak të temperaturës së lartë të ambientit, ruajtjes së një sasive të madhe ushqimi ose fikjes së kompresorit, mundësoni një ajrim të mirë, për të lehtësuar shpërndarjen e nxehtësisë
Kondensim i sipërfaqes	<ul style="list-style-type: none"> • Kondensimi i sipërfaqes së jashtme dhe gominave të dyerve të frigoriferit është normal kur lagështia e ambientit është shumë e lartë. Thjesht thajeni kondensimin me një peshqir të pastër.
Zhurmë anormale	<ul style="list-style-type: none"> • Zukatje: Kompresori mund të prodhojë zhurmë zukatjeje gjatë përdorimit dhe kjo zukatje është e lartë veçanërisht gjatë ndezjes ose ndalimit. Kjo është normale. • Gërvimë: Gazi ftohës që rrjedh brenda pajisjes mund të krijojë një zhurmë gërvime, e cila është normale.

SHTOJCË

Veçanërisht për standardin e ri evropian

Pjesët e porositura në tabelën e mëposhtme mund të blihen nëpërmjet kanalit të ofruesit të shërbimeve

Pjesa e porositur	Ofrohet nga	Koha minimale që kërkohet për sigurimin
Termostate	Personali profesionist i mirëmbajtjes	Të paktën 7 vjet pas nxjerrjes në treg të modelit të fundit
Sensorë temperature	Personali profesionist i mirëmbajtjes	Të paktën 7 vjet pas nxjerrjes në treg të modelit të fundit
Panele qarku të stampuar	Personali profesionist i mirëmbajtjes	Të paktën 7 vjet pas nxjerrjes në treg të modelit të fundit
Drita	Personali profesionist i mirëmbajtjes	Të paktën 7 vjet pas nxjerrjes në treg të modelit të fundit
Doreza dyersh	Riparuesit profesionistë dhe përdoruesit përfundimtarë	Të paktën 7 vjet pas nxjerrjes në treg të modelit të fundit
Mentesha e deres	Riparuesit profesionistë dhe përdoruesit përfundimtarë	Të paktën 7 vjet pas nxjerrjes në treg të modelit të fundit
Tabakatë	Riparuesit profesionistë dhe përdoruesit përfundimtarë	Të paktën 7 vjet pas nxjerrjes në treg të modelit të fundit
Shportat	Riparuesit profesionistë dhe përdoruesit përfundimtarë	Të paktën 7 vjet pas nxjerrjes në treg të modelit të fundit
Gomina dere	Riparuesit profesionistë dhe përdoruesit përfundimtarë	Të paktën 10 vjet pas nxjerrjes në treg të modelit të fundit

I nderuar klient,

1. Nëse dëshironi që ta ktheni ose ta zëvendësoni produktin, ju lutemi të kontaktoni dyqanin ku e bletë.

(Mos harroni të merrni me vete faturën e blerjes)

2. Nëse produkti priset dhe ka nevojë për riparim, ju lutemi të kontaktoni kompaninë e shërbimeve pas shitjes.

MBANI PARASYSH

Informacionet e modelit në databazën e produktit, si edhe identifikuesi i modelit, mund të merret nëpërmjet një lidhjeje uebi, të skanuar me një kod QR, nëse ka, në etiketën e efikasitetit energjikut të produktit.

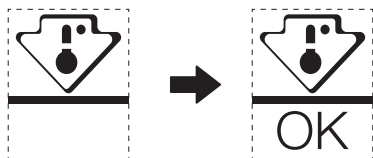
Për më shumë informacion rreth efikasitetit të energjisë së pajisjes, vizitoni <https://ec.europa.eu> dhe kërkoni duke përdorur emrin e modelit.

Emri i modelit mund të gjendet në etiketën e klasifikimit të pajisjes.

Zona më e ftohtë në frigorifer

OPSIONALE: Treguesi i temperaturës OK

- Treguesi i temperaturës OK mund të përdoret për të përcaktuar temperatura nën +4°C. Ulini gradualisht temperaturën nëse shenja nuk tregon “OK”.



- Për të garantuar temperaturën në këtë zonë, mos e ndryshoni pozicionin e raftit. Frigoriferët me ajër të forcuar (të pajisur me ventilator ose modelet Pa Ngrirje), simboli i zonës më të ftohtë nuk tregohet sepse temperatura brenda është homogjene.

Konfigurimi i treguesit të temperaturës

- Për t’ju ndihmuar ta konfiguroni mirë frigoriferin, ai është i pajisur me një tregues temperature që monitoron temperaturën mesatare në zonën më të ftohtë.
- PARALAJMËRIM: Ky tregues ka për qëllim të punojë vetëm me frigoriferin tuaj, mos e përdorni në një frigorifer tjetër (në fakt, zona më e ftohtë nuk është e njëjtë), apo për ndonjë përdorim tjetër.

Kontrollimi i temperaturës në zonën më të ftohtë

- Me treguesin e temperaturës, mund të kontrolloni rregullisht që temperatura e zonës më të ftohtë është e saktë. Por, temperatura e brendshme e frigoriferit varet nga disa faktorë, si temperatura e ambientit të dhomës, sasia e ushqimit të ruajtur dhe shpeshtësia e hapjes së derës. Duhet të merren parasysh këta faktorë kur konfigurohet pajisja.
- Kur treguesi thotë «OK», kjo do të thotë që termostati është vendosur mirë dhe temperatura e brendshme është e saktë.
- Nëse treguesi i temperaturës bëhet I BARDHË, kjo do të thotë që temperatura është tepër e lartë; në këtë rast, rriteni kontrollin e temperaturës së frigoriferit dhe prisni 12 orë para se të bëni një kontroll tjetër me sy të treguesit. Kur futen ushqime të freskëta ose dera është lënë hapur, ekziston mundësia që treguesi i temperaturës të bëhet I BARDHË pas njëfarë kohe.

DOKUMENTET DHE CERTIFIKIMET

Deklarata e konformitetit

Nëpërmjet këtij dokumenti, konfirmojmë se emrat e mëposhtëm të modelit të klientit dhe emrat e modelit të Midea-s përputhen përkatësisht me njëra-tjetrën.

Marka	Modeli i Midea-s	Modeli i marketingut	Modeli i fabrikës
Midea	HD-403RWENJ	MDRB424FGE01I	CE-BCD310WE-JT
Midea	HD-403RWENJ	MDRB424FGE02I	CE-BCD310WE-JT

Emri i prodhuesit:

Guangzhou Midea Hualing Refrigerator Co., Ltd.

Adresa e prodhuesit:

No. 5 Xinguangsi Road, Qianfeng Zhujiang, Nansha District, Guangzhou City, Guangdong Province, Republika Popullore e Kinës

Nëpërmjet këtij dokumenti, ne, Guangzhou Midea Hualing Refrigerator Co., Ltd., deklarojmë se produktet e lartpërmendura pajtohen me rregulloret dhe standardet e lartpërmendura të vlefshme aktualisht.

AL

ΕΥΧΑΡΙΣΤΙΕΣ

Σας ευχαριστούμε που επιλέξατε την Midea! Πρωτού χρησιμοποιήσετε το νέο σας προϊόν της Midea, διαβάστε προσεκτικά αυτό το εγχειρίδιο για να βεβαιωθείτε ότι γνωρίζετε πώς να χειρίζεστε τις δυνατότητες και τις λειτουργίες που προσφέρει η νέα σας συσκευή με ασφάλεια.

ΠΕΡΙΕΧΟΜΕΝΑ

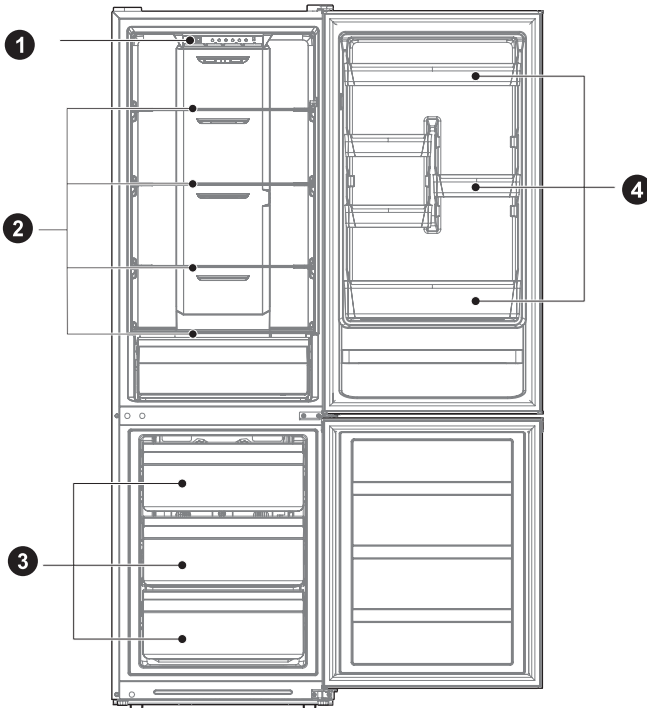
ΕΥΧΑΡΙΣΤΙΕΣ -----	01
ΠΡΟΔΙΑΓΡΑΦΕΣ -----	02
ΕΠΙΣΚΟΠΗΣΗ ΠΡΟΪΟΝΤΟΣ -----	03
ΕΓΚΑΤΑΣΤΑΣΗ ΠΡΟΪΟΝΤΟΣ -----	04
ΟΔΗΓΙΕΣ ΛΕΙΤΟΥΡΓΙΑΣ -----	11
ΚΑΘΑΡΙΣΜΟΣ ΚΑΙ ΣΥΝΤΗΡΗΣΗ -----	15
ΑΝΤΙΜΕΤΩΠΙΣΗ ΠΡΟΒΛΗΜΑΤΩΝ -----	17
ΠΑΡΑΡΤΗΜΑ -----	19
ΔΗΛΩΣΗ ΣΥΜΜΟΡΦΩΣΗΣ ΚΑΙ ΠΙΣΤΟΠΟΙΗΣΕΙΣ -----	21

ΠΡΟΔΙΑΓΡΑΦΕΣ

Μοντέλο προϊόντος	MDRB424FGE01I MDRB424FGE02I
Όγκος φρέσκων τροφίμων	224 L
Όγκος κατεψυγμένων τροφίμων	86 L
Τύπος απόψυξης	Αυτόματη απόψυξη
Χρόνος διατήρησης θερμοκρασίας	8 h
Ικανότητα κατάψυξης	3,9 kg/24h
Ονομαστική τάση	220-240 V~
Ονομαστικό ρεύμα	0,8 A
Συνολικές διαστάσεις (Υ × Π × Β)	1880x595x630 mm

ΕΠΙΣΚΟΠΗΣΗ ΠΡΟΪΟΝΤΟΣ

Όνομασία των εξαρτημάτων



1 Συρτάρι

2 Ράφι

3 Συρτάρι

4 Ράφι πόρτας

GR

ΠΡΟΣΟΧΗ

Η παραπάνω εικόνα προορίζεται μόνο για σκοπούς αναφοράς. Η διαμόρφωση εξαρτάται από το εκάστοτε προϊόν ή τη δήλωση του διανομέα.

ΕΓΚΑΤΑΣΤΑΣΗ ΠΡΟΪΟΝΤΟΣ

Οδηγίες εγκατάστασης

Για συσκευές ψύξης με κλιματική κλάση

- Ανάλογα με την κλιματική κλάση, αυτή η ψυκτική συσκευή προορίζεται για χρήση σε εύρος θερμοκρασίας περιβάλλοντος όπως αυτό που καθορίζεται στον ακόλουθο πίνακα.
- Η κλιματική κλάση βρίσκεται στην πινακίδα χαρακτηριστικών. Το προϊόν ενδέχεται να μην λειτουργεί σωστά σε θερμοκρασίες εκτός του καθορισμένου εύρους.
- Μπορείτε να βρείτε την κλιματική κλάση στην ετικέτα του προϊόντος.

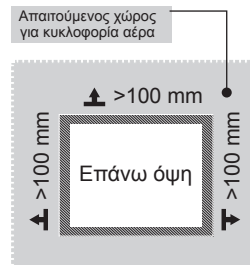
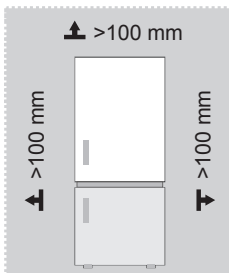
Εύρος θερμοκρασίας λειτουργίας

- Το προϊόν έχει σχεδιαστεί να λειτουργεί κανονικά εντός του εύρους θερμοκρασίας που καθορίζεται από τον βαθμό κλάσης του.

Κατηγορία	Σύμβολο	Εύρος θερμοκρασίας περιβάλλοντος °C	
		IEC 62552 (ISO 15502)	ISO 8561
Εκτεταμένο εύκρατο	SN	+ 10 έως + 32	+ 10 έως + 32
Εύκρατο	N	+ 16 έως + 32	+ 16 έως + 32
Υποτροπικό	ST	+ 16 έως + 38	+ 18 έως + 38
Τροπικό	T	+ 16 έως + 43	+ 18 έως + 43

Διαστάσεις και αποστάσεις

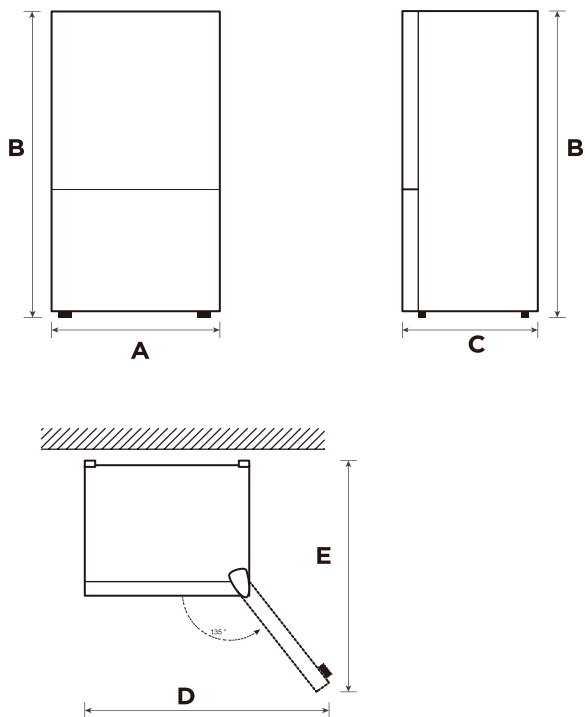
- Οι υπερβολικά μικρές αποστάσεις από παρακείμενα αντικείμενα ενδέχεται να οδηγήσουν σε υποβάθμιση της ικανότητας κατάψυξης και σε αυξημένη κατανάλωση ηλεκτρικής ενέργειας. Κατά την εγκατάσταση της συσκευής, αφήστε απόσταση πάνω από 100 mm από κάθε παρακείμενο τοίχο.



ΠΡΟΣΟΧΗ

Η παραπάνω εικόνα προορίζεται μόνο για σκοπούς αναφοράς. Η διαμόρφωση εξαρτάται από το εκάστοτε προϊόν ή τη δήλωση του διανομέα.

Διάγραμμα απαιτούμενου χώρου (όταν η πόρτα είναι ανοιχτή και όταν η πόρτα είναι κλειστή)



Πλάτος	Συνολικό ύψος	Βάθος	Πλάτος ανοιχτής πόρτας 135°	Βάθος ανοιχτής πόρτας 135°
A	B	C	D	E
595	1880	630	988	1074

Σημείωση: Όλες οι διαστάσεις είναι σε mm

Αλλαγή θέσης πόρτας δεξιά/αριστερά(προαιρετική)

Με βάση τη θέση στην οποία σκοπεύετε να χρησιμοποιήσετε το ψυγείο σας, ενδέχεται να σας βολέψει περισσότερο η αντιστροφή της θέσης της πόρτας.

ΠΡΟΣΟΧΗ

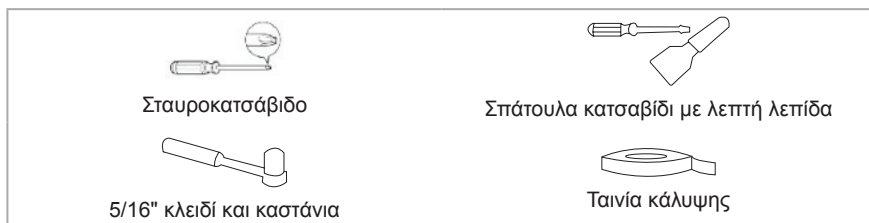
ΠΡΟΣΟΧΗ: Για να αποφύγετε τυχόν τραυματισμό ή υλικές ζημιές, συνιστούμε να σας βοηθήσει κάποιος κατά τη διαδικασία αντιστροφής της πόρτας.

Προετοιμασία για αντιστροφή της θέσης της πόρτας

Θα χρειαστείτε: Ένα ίσιο κατσαβίδι, ένα σταυροκατσάβιδο και το παρεχόμενο κλειδί Allen.

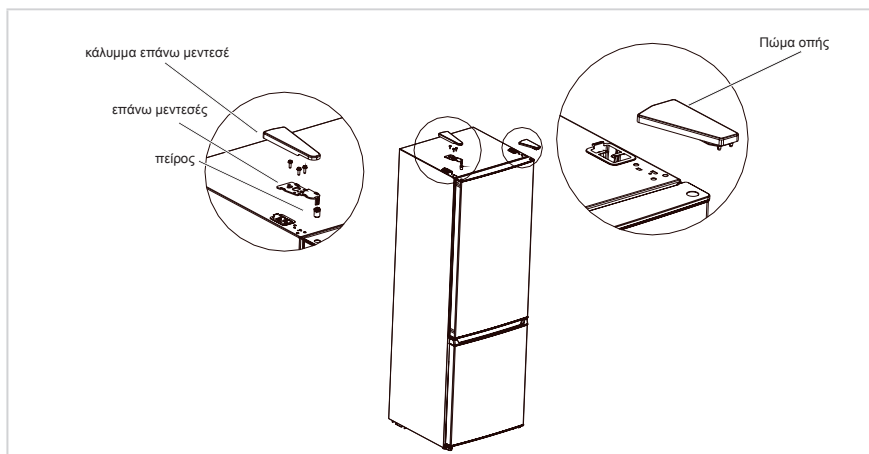
- Βεβαιωθείτε ότι το ψυγείο σας είναι αποσυνδεδεμένο από την πρίζα και άδειο.
- Ζητήστε τη βοήθεια ενός δεύτερου ατόμου για να σας βοηθήσει στη διαδικασία.
- Φυλάξτε όλα τα εξαρτήματα που αφαιρείτε για να τα επαναχρησιμοποιήσετε αργότερα.

Εργαλεία που απαιτούνται για αντιστροφή της πόρτας:



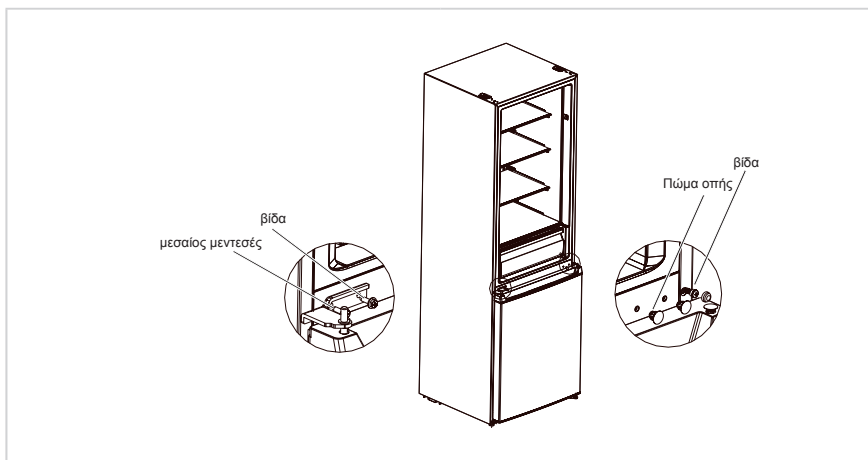
Βήμα

1. Απενεργοποιήστε το ψυγείο και αφαιρέστε όλα τα αντικείμενα από τα ράφια της πόρτας.
2. Αποσυναρμολογήστε το κάλυμμα του επάνω μεντεσέ, αφαιρέστε τον επάνω μεντεσέ και το κάλυμμα οπής από την άλλη πλευρά και αφαιρέστε την πόρτα του ψυγείου.

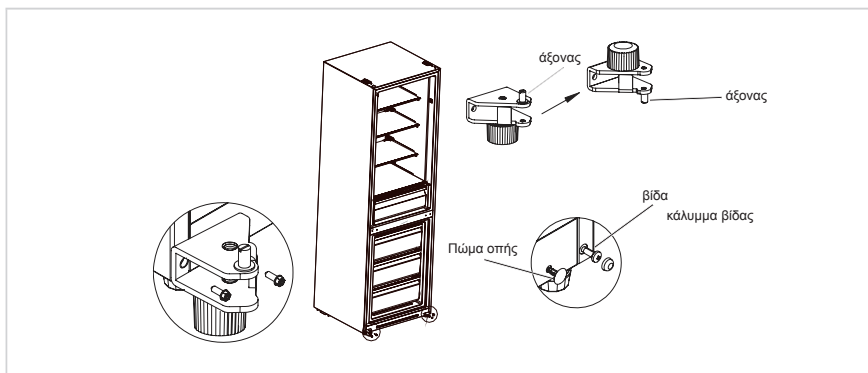


GR

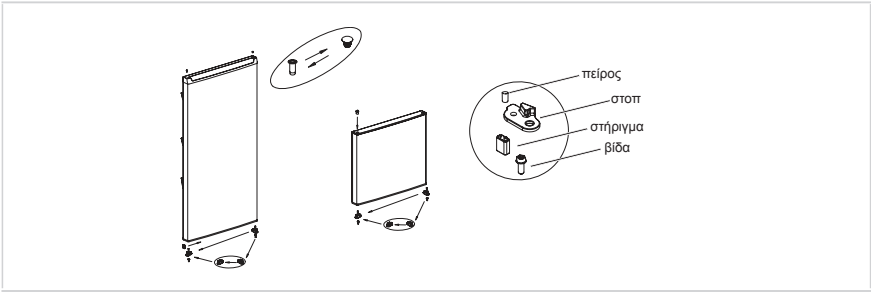
3. Αποσυναρμολογήστε τον μεσαίο μεντεσέ, τις βίδες και τα καλύμματα οπών βίδας και αφαιρέστε την πόρτα του καταψύκτη.



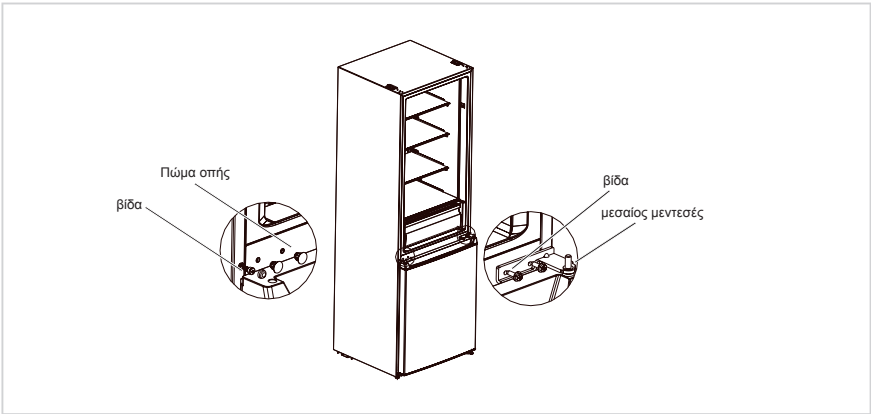
4. Αποσυναρμολογήστε τον κάτω μεντεσέ, τα καλύμματα οπών και τις βίδες, τοποθετήστε τον άξονα του κάτω μεντεσέ και ρυθμίστε το πόδι στην άλλη πλευρά του κάτω μεντεσέ και, στη συνέχεια, τοποθετήστε τον μεντεσέ στην άλλη πλευρά.



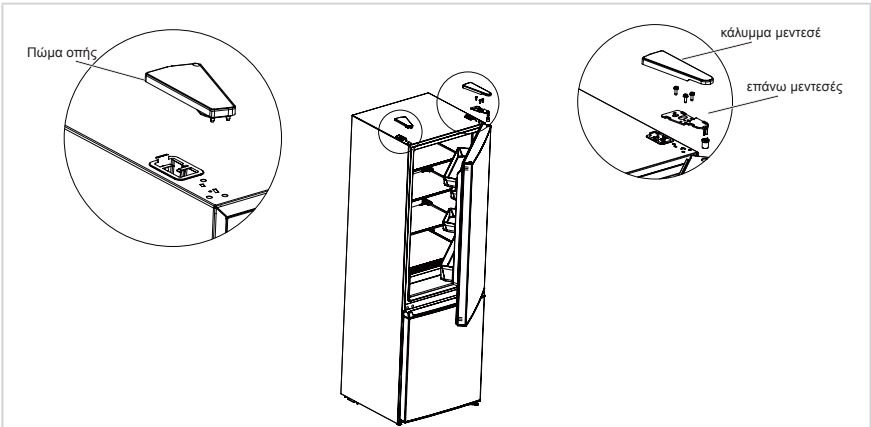
5. Αποσυναρμολογήστε τη βίδα, τον πείρο και το στοπ από την πόρτα του ψυγείου και του καταψύκτη και αφαιρέστε επίσης το στήριγμα στο κάτω κάλυμμα της πόρτας του ψυγείου. Στη συνέχεια, τοποθετήστε τα στην άλλη πλευρά των πορτών με τη σειρά. (Αφαιρέστε το κάτω στοπ από τη συσκευασία εξαρτημάτων)
6. Εναλλάξτε τη θέση του πείρου και του καλύμματος οπής στο επάνω κάλυμμα της πόρτας του ψυγείου και τοποθετήστε τον άξονα του επάνω μεντεσέ στην πόρτα του καταψύκτη στην οπή στην άλλη πλευρά του συνδετικού χιτωνίου.



7. Τοποθετήστε την πόρτα του θαλάμου ψύξης στον μεσαίο μεντεσέ και εγκαταστήστε τον επάνω μεντεσέ και το κάλυμμα μεντεσέ.



8. Τοποθετήστε την πόρτα του ψυγείου στον μεσαίο μεντεσέ και εγκαταστήστε τον επάνω μεντεσέ, το κάλυμμα μεντεσέ και το κάλυμμα στήλης.



● ΠΡΟΣΟΧΗ

Η παραπάνω εικόνα προορίζεται μόνο για σκοπούς αναφοράς. Η διαμόρφωση εξαρτάται από το εκάστοτε προϊόν ή τη δήλωση του διανομέα.

GR

Τοποθέτηση

- Πριν από τη χρήση, αφαιρέστε όλα τα υλικά συσκευασίας, συμπεριλαμβανομένων των επιθεμάτων του κάτω μέρους, των επιθεμάτων από αφρώδες υλικό και των ταινιών στο εσωτερικό του ψυγείου. Ξεκολλήστε την προστατευτική μεμβράνη από τις πόρτες και το σώμα του ψυγείου.
- Φυλάσσετε μακριά από τη θερμότητα και αποφύγετε το άμεσο ηλιακό φως. Μην τοποθετείτε τον καταψύκτη σε μέρη με υγρασία ή νερά για να αποτρέψετε τη σκουριά ή την υποβάθμιση της μόνωσης.
- Μην πεκάζετε και μην πλένετε το ψυγείο. Μην τοποθετείτε το ψυγείο σε υγρά μέρη όπου εύκολα μπορεί να πιτσιλιστεί με νερό, ώστε να μην επηρεαστεί η ηλεκτρική μόνωση του ψυγείου.
- Το ψυγείο τοποθετείται σε καλά αεριζόμενο εσωτερικό χώρο. Το έδαφος πρέπει να είναι επίπεδο και στιβαρό (περιστρέψτε αριστερά ή δεξιά για να ρυθμίσετε τον τροχό της οριζοντίωσης εάν το ψυγείο είναι ασταθές).



Πόδια οριζοντίωσης

Για την αποφυγή κραδασμών, η μονάδα πρέπει να είναι οριζοντιωμένη.

Εάν απαιτείται, ρυθμίστε τις βίδες οριζοντίωσης για να αντισταθμίσετε τυχόν ανωμαλίες του δαπέδου.

Το μπροστινό μέρος πρέπει να είναι ελαφρώς ψηλότερα από το πίσω μέρος, προκειμένου να διευκολύνεται το κλείσιμο της πόρτας.

Οι βίδες οριζοντίωσης μπορούν να περιστραφούν εύκολα γέροντας ελαφρά τον θάλαμο.

Περιστρέψτε τις βίδες οριζοντίωσης αριστερόστροφα  για να ανυψώσετε τη μονάδα και δεξιόστροφα  για να τη χαμηλώσετε.

Μετακίνηση της συσκευής

1. Αφαιρέστε όλα τα τρόφιμα από τη συσκευή.
2. Αποσυνδέστε το φινις τροφοδοσίας, τοποθετήστε και στερεώστε το στο άγκιστρο του φινις τροφοδοσίας στο πίσω ή στο επάνω μέρος της συσκευής.
3. Ασφαλίστε με κολλητική ταινία τα κινούμενα μέρη, όπως τα ράφια και λαβή της πόρτας, ώστε να μην πέσουν κατά τη μετακίνηση της συσκευής.
4. Μετακινήστε προσεκτικά τη συσκευή με τουλάχιστον από δύο άτομα. Κατά τη μεταφορά της συσκευής σε μεγάλη απόσταση, κρατήστε τη συσκευή σε όρθια θέση.
5. Μετά την εγκατάσταση της συσκευής, συνδέστε το βύσμα τροφοδοσίας σε μια πρίζα για να ενεργοποιήσετε τη συσκευή.

ΠΡΟΣΟΧΗ

Προφυλάξεις πριν από τη λειτουργία:

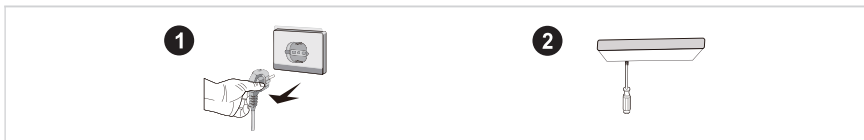
Προτού πραγματοποιήσετε αλλαγές, το ψυγείο πρέπει να αποσυνδεθεί από την τροφοδοσία. Πρέπει να λαμβάνονται προφυλάξεις για την αποφυγή τραυματισμών.

Αλλαγή λυχνίας

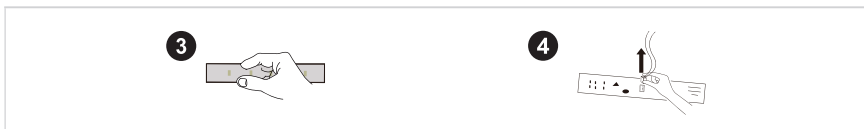
- Οποιαδήποτε αντικατάσταση ή συντήρηση των λυχνιών LED πρέπει να εκτελείται από τον κατασκευαστή, τον αντιπρόσωπο σέρβις ή αντίστοιχα εξουσιοδοτημένα άτομα. Αυτό το προϊόν περιέχει πηγή φωτός ενεργειακής απόδοσης κατηγορίας <F>.

Βήμα

1. Βγάλτε το φινιρίσμα πριν την αφαίρεση.
2. Αφαιρέστε το κάλυμμα της λυχνίας με ένα κατασαβίδι.



3. Κατεβάστε το πάνελ της λάμπας.
4. Αφαιρέστε τον ακροδέκτη σύνδεσης.



Σύνδεση της συσκευής

Πριν από την αρχική εκκίνηση, κρατήστε το ψυγείο ακίνητο για μισή ώρα πριν το συνδέσετε στην παροχή ρεύματος.

● ΠΡΟΣΟΧΗ

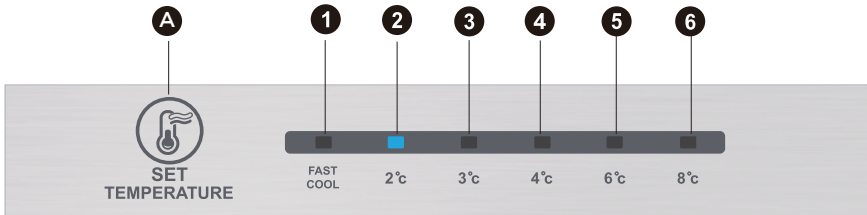
Πριν από την τοποθέτηση φρέσκων ή κατεψυγμένων τροφίμων, το ψυγείο πρέπει να έχει λειτουργήσει για 2-3 ώρες ή για πάνω από 4 ώρες το καλοκαίρι όταν η θερμοκρασία περιβάλλοντος είναι υψηλή.

Συμβουλές εξοικονόμησης ενέργειας

- Η συσκευή πρέπει να βρίσκεται στην πιο δροσερή περιοχή του δωματίου, μακριά από συσκευές παραγωγής θερμότητας ή αγωγούς θέρμανσης και μακριά από το άμεσο ηλιακό φως.
- Αφήστε τα ζεστά τρόφιμα να κρυώσουν σε θερμοκρασία δωματίου πριν τα τοποθετήσετε στη συσκευή. Το υπερβολικό γέμισμα της συσκευής αναγκάζει τον συμπιεστή να λειτουργεί περισσότερο. Τα τρόφιμα που παγώνουν πολύ αργά μπορεί να χάσουν την ποιότητα ή να χαλάσουν.
- Βεβαιωθείτε ότι έχετε τυλίξει σωστά τα τρόφιμα και στεγνώστε τα δοχεία σκουπίζοντάς τα πριν τα τοποθετήσετε στη συσκευή. Αυτό μειώνει τη συσσώρευση παγετού μέσα στη συσκευή.
- Ο κάδος αποθήκευσης της συσκευής δεν πρέπει να είναι επενδεδυμένος με αλουμινοχαρτό, λαδόχαρτο ή χαρτί. Οι επενδύσεις παρεμποδίζουν την κυκλοφορία του κρύου αέρα, καθιστώντας τη συσκευή λιγότερο αποτελεσματική.
- Οργανώστε και επιστημάνετε τα τρόφιμα για να μειώσετε τα ανοίγματα της πόρτας και τις εκτενείς αναζητήσεις. Αφαιρέστε όσο το δυνατόν περισσότερα αντικείμενα χρειάζεστε ταυτόχρονα και κλείστε την πόρτα το συντομότερο δυνατό.

ΟΔΗΓΙΕΣ ΛΕΙΤΟΥΡΓΙΑΣ

Πίνακας ελέγχου



ΠΡΟΣΟΧΗ

Η παραπάνω εικόνα προορίζεται μόνο για σκοπούς αναφοράς. Η διαμόρφωση εξαρτάται από το εκάστοτε προϊόν ή τη δήλωση του διανομέα.

Πλήκτρο

A Κουμπτί ρύθμισης θερμοκρασίας

Οθόνη

1	Ρύθμιση θερμοκρασίας 1
2	Ρύθμιση θερμοκρασίας 2
3	Ρύθμιση θερμοκρασίας 3
4	Ρύθμιση θερμοκρασίας 4
5	Ρύθμιση θερμοκρασίας 5
6	Ρύθμιση θερμοκρασίας 6

Οθόνη

Κατά την ενεργοποίηση του ψυγείου, η οθόνη ενδείξεων (συμπεριλαμβανομένης της λυχνίας πλήκτρων) ανάβει πλήρως για 3 δευτερόλεπτα και, στη συνέχεια, το ψυγείο λειτουργεί σύμφωνα με τη ρύθμιση θερμοκρασίας 3.

Ένδειξη κανονικής λειτουργίας

Σε περίπτωση βλάβης, η αντίστοιχη λυχνία LED ανάβει με μία συνδυασμένη εμφάνιση του κωδικού βλάβης (επαναλαμβανόμενη οθόνη).

Εάν δεν υπάρχει σφάλμα, η λυχνία LED εμφανίζει την τρέχουσα ρύθμιση θερμοκρασίας.

ΠΡΟΣΟΧΗ

Ο πραγματικός πίνακας ελέγχου ενδέχεται να διαφέρει ανάλογα με το μοντέλο.

Οδηγίες λειτουργίας

Ρύθμιση επιπέδου

- Η ρύθμιση θερμοκρασίας αλλάζει μία φορά κάθε φορά που πατάτε το πλήκτρο SET. Το ψυγείο μεταβαίνει στη νέα ρύθμιση μετά από 15 δευτ.

Ρύθμιση 1 → Ρύθμιση 2 → Ρύθμιση 3 → Ρύθμιση 4 → Ρύθμιση 5 → Ρύθμιση 6 → Ρύθμιση 1 →

Λειτουργία γρήγορης ψύξης:

- Επιβεβαίωση: Λειτουργία ταχείας ψύξης με διαμόρφωση κυκλοφορίας.
- Λειτουργία: Η ένδειξη ταχείας ψύξης ανάβει και το ψυγείο λειτουργεί στους 2°C.
- Η λειτουργία Γρήγορης ψύξης απενεργοποιείται αυτόματα για 24 ώρες.
- Η λειτουργία γρήγορης ψύξης μπορεί να χρησιμοποιηθεί ως λειτουργία πολύ δυνατής κατάψυξης.

Ρύθμιση χειροκίνητου αεραγωγού

- Γυρίστε το ρυθμιστικό του αεραγωγού προς τα πάνω για να μειώσετε τη θερμοκρασία στο εσωτερικό του θαλάμου κατάψυξης. Γυρίστε το ρυθμιστικό προς τα κάτω για να αυξήσετε τη θερμοκρασία στο εσωτερικό του θαλάμου κατάψυξης.

FREEZER-TEMP

COLDEST

COLDER

COLD



GR

Κωδικός σφάλματος

- Οι ακόλουθες προειδοποιήσεις που εμφανίζονται στην οθόνη υποδεικνύουν αντίστοιχα σφάλματα στο ψυγείο. Αν και μπορεί να διατηρούνται η λειτουργία ψύξης και η λειτουργία κατάψυξης στο ψυγείο με τα παρακάτω σφάλματα, ο χρήστης πρέπει να επικοινωνήσει με έναν ειδικό συντήρησης για συντήρηση, ώστε να διασφαλιστεί η κανονική χρήση του ψυγείου.

Κωδικός σφάλματος	Περιγραφή σφάλματος
Οι λυχνίες LED 1 και LED 2 ανάβουν	Κύκλωμα αισθητήρα θερμοκρασίας ψυγείου
Οι λυχνίες LED 1 και LED 3 ανάβουν	Αισθητήρας απόψυξης καταψύκτη
Οι λυχνίες LED 1 και LED 4 ανάβουν	Αισθητήρας θερμοκρασίας περιβάλλοντος

ΠΡΟΣΟΧΗ

Σημείωση: Η λειτουργία ταχείας κατάψυξης είναι σχεδιασμένη για να διατηρεί τη θρεπτική αξία των τροφίμων στον καταψύκτη. Μπορεί να παγώσει το φαγητό στον συντομότερο δυνατό χρόνο. Εάν θέλετε να καταψύξετε ταυτόχρονα μεγάλη ποσότητα τροφίμων, συνιστάται να ενεργοποιήσετε τη λειτουργία γρήγορης κατάψυξης και να τοποθετήσετε τα τρόφιμα. Σε αυτήν την περίπτωση, η ταχύτητα κατάψυξης του διαμερίσματος κατάψυξης αυξάνεται και μπορεί να παγώσει γρήγορα τα τρόφιμα, να διατηρήσει αποτελεσματικά τη θρεπτική αξία τους και να διευκολύνει τη συντήρησή τους.

Θάλαμος ψύξης

- Ο θάλαμος ψύξης είναι κατάλληλος για τη συντήρηση φρούτων, λαχανικών, ποτών και άλλων τροφίμων που καταναλώνονται βραχυπρόθεσμα - προτεινόμενος χρόνος συντήρησης 3 έως 5 ημέρες.
- Τα μαγειρεμένα τρόφιμα δεν πρέπει να τοποθετούνται στον θάλαμο ψύξης έως ότου κρυσώσουν σε θερμοκρασία δωματίου.
- Τα τρόφιμα συνιστάται να σφραγίζονται πριν τοποθετηθούν στο ψυγείο.
- Οι θέσεις των γυάλινων ραφιών είναι μεταβλητές για τοποθέτηση ανάλογα με τις ανάγκες.

Θάλαμος κατάψυξης

- Ο θάλαμος κατάψυξης χαμηλής θερμοκρασίας μπορεί να διατηρήσει τα τρόφιμα φρέσκα για μεγάλο χρονικό διάστημα και χρησιμοποιείται κυρίως για την αποθήκευση κατεψυγμένων τροφίμων και την παραγωγή πάγου.
- Ο θάλαμος κατάψυξης είναι κατάλληλος για να αποθηκεύετε κρέας, ψάρι, μπάλες ρυζιού και άλλα τρόφιμα που δεν καταναλώνονται βραχυπρόθεσμα.
- Τα κομμάτια κρέατος κατά προτίμηση χωρίζονται σε μικρά κομμάτια για γρήγορο πάγωμα και εύκολη πρόσβαση. Λάβετε υπόψη ότι τα τρόφιμα πρέπει να καταναλώνονται εντός του χρόνου αποθήκευσης.

ΠΡΟΣΟΧΗ

Σημείωση: Η συντήρηση υπερβολικής ποσότητας τροφίμων κατά τη λειτουργία μετά την αρχική σύνδεση στο ρεύμα μπορεί να επηρεάσει αρνητικά το ψυκτικό αποτέλεσμα του ψυγείου.

Σειρά	ΤΥΠΟΣ θαλάμων	Στόχος θερμοκρασίας αποθήκευσης [°C]	Κατάλληλα τρόφιμα
1	Ψυγείο	+2 ~ +8	Αυγά, μαγειρεμένα τρόφιμα, συσκευασμένα τρόφιμα, φρούτα και λαχανικά, γαλακτοκομικά προϊόντα, κέικ, ποτά και άλλα τρόφιμα δεν είναι κατάλληλα για κατάψυξη.
2	(***)*-Καταψύκτης	≤-18	Θαλασσινά (ψάρια, γαρίδες, οστρακοειδή), προϊόντα γλυκού νερού και προϊόντα κρέατος (συνιστάται για 3 μήνες, όσο μεγαλύτερος είναι ο χρόνος αποθήκευσης, τόσο χειρότερη είναι η γεύση και η θρεπτική αξία), κατάλληλο για κατεψυγμένα φρέσκα τρόφιμα.
3	***-Καταψύκτης	≤-18	Θαλασσινά (ψάρια, γαρίδες, οστρακοειδή), προϊόντα γλυκού νερού και προϊόντα κρέατος (συνιστάται για 3 μήνες, όσο μεγαλύτερος είναι ο χρόνος αποθήκευσης, τόσο χειρότερη είναι η γεύση και η θρεπτική αξία), κατάλληλο για κατεψυγμένα φρέσκα τρόφιμα.
4	**--Καταψύκτης	≤-12	Θαλασσινά (ψάρια, γαρίδες, οστρακοειδή), προϊόντα γλυκού νερού και προϊόντα κρέατος (συνιστάται για 3 μήνες, όσο μεγαλύτερος είναι ο χρόνος αποθήκευσης, τόσο χειρότερη είναι η γεύση και η θρεπτική αξία), κατάλληλο για κατεψυγμένα φρέσκα τρόφιμα.
5	*-Καταψύκτης	≤-6	Θαλασσινά (ψάρια, γαρίδες, οστρακοειδή), προϊόντα γλυκού νερού και προϊόντα κρέατος (συνιστάται για 3 μήνες, όσο μεγαλύτερος είναι ο χρόνος αποθήκευσης, τόσο χειρότερη είναι η γεύση και η θρεπτική αξία), κατάλληλο για κατεψυγμένα φρέσκα τρόφιμα.
6	0-αστέρια	-6 ~ 0	Φρέσκο χοιρινό, μοσχαρίσιο κρέας, ψάρι, κοτόπουλο, ορισμένα συσκευασμένα επεξεργασμένα τρόφιμα κ.λπ. (Συνιστάται να καταναλώνονται εντός της ίδιας ημέρας, κατά προτίμηση όχι περισσότερο από 3 ημέρες). Επεξεργασμένα τρόφιμα (τρόφιμα χωρίς δυνατότητα κατάψυξης).
7	Ψύξη	-2 ~ +3	Νωπό/κατεψυγμένο χοιρινό, μοσχάρι, κοτόπουλο, προϊόντα γλυκού νερού, κ.λπ. (7 ημέρες κάτω από 0°C και πάνω από 0°C, συνιστάται η κατανάλωση εντός της ίδιας ημέρας, κατά προτίμηση όχι περισσότερο από 2 ημέρες). Θαλασσινά (κάτω από 0 για 15 ημέρες, δεν συνιστάται η αποθήκευση πάνω από 0°C).
8	Νωπά τρόφιμα	0 ~ +4	Φρέσκο χοιρινό, μοσχαρίσιο κρέας, ψάρι, κοτόπουλο, μαγειρεμένα τρόφιμα κ.λπ. (Συνιστάται η κατανάλωση εντός της ίδιας ημέρας, κατά προτίμηση όχι περισσότερο από 3 ημέρες)
9	Κρασί	+5 ~ +20	Κόκκινο κρασί, λευκό κρασί, αφρώδης οίνος κ.λπ.

ΠΡΟΣΟΧΗ

αποθηκεύετε διαφορετικά τρόφιμα ανάλογα με τους θαλάμους ή τον στόχο θερμοκρασίας αποθήκευσης-του προϊόντος που αγοράσατε.

ΚΑΘΑΡΙΣΜΟΣ ΚΑΙ ΣΥΝΤΗΡΗΣΗ

Γενικός καθαρισμός

- Οι σκόνες πίσω από το ψυγείο και στο δάπεδο πρέπει να καθαρίζονται εγκαίρως για να βελτιώνεται το φαινόμενο ψύξης και για εξοικονόμηση ενέργειας.
- Ελέγχετε τακτικά τη φλάντζα της πόρτας για να βεβαιωθείτε ότι δεν υπάρχουν κατάλοιπα. Καθαρίστε το λάστιχο της πόρτας με ένα μαλακό πανί βρεγμένο με σαπουνόνερο ή αραιωμένο απορρυπαντικό.
- Το εσωτερικό του ψυγείου πρέπει να καθαρίζεται τακτικά για να αποφεύγονται οι οσμές.
- Απενεργοποιήστε την παροχή ρεύματος προτού καθαρίσετε το εσωτερικό και αφαιρέστε όλα τα τρόφιμα, τα ποτά, τα ράφια, τα συρτάρια κ.λπ.
- Χρησιμοποιήστε ένα μαλακό πανί ή σφουγγάρι για να καθαρίσετε το εσωτερικό του ψυγείου, με δύο κουταλιές της σούπας μαγειρική σόδα και ένα λίτρο ζεστό νερό. Στη συνέχεια ξεπλύνετε με νερό και σκουπίστε. Μετά τον καθαρισμό, ανοίξτε την πόρτα και αφήστε το ψυγείο να στεγνώσει φυσικά πριν ενεργοποιήσετε το ρεύμα.
- Για περιοχές που είναι δύσκολο να καθαριστούν στο ψυγείο (όπως στενές εγκοπές, κενά ή γωνίες), συνιστάται να τα σκουπίζετε τακτικά με ένα μαλακό πανί, μαλακό πινέλο κ.λπ., και όταν είναι απαραίτητο, σε συνδυασμό με ορισμένα βοηθητικά εργαλεία (όπως λεπτά ραβδιά) για να διασφαλιστεί ότι δεν συσσωρεύονται μολυσματικοί παράγοντες ή βακτήρια σε αυτές τις περιοχές.
- Μην χρησιμοποιείτε σαπούνι, απορρυπαντικό, αποξεστική σκόνη, καθαριστικό ψεκαστικό κ.λπ., καθώς ενδέχεται να προκαλέσουν οσμές στο εσωτερικό του ψυγείου ή να επιμολύνουν τρόφιμα.
- Καθαρίστε το πλαίσιο της φιάλης, τα ράφια και τα συρτάρια με ένα μαλακό πανί βρεγμένο με σαπουνόνερο ή αραιωμένο απορρυπαντικό. Στεγνώστε με ένα μαλακό πανί ή αφήστε να στεγνώσει φυσικά.
- Σκουπίστε την εξωτερική επιφάνεια του ψυγείου με ένα μαλακό πανί εμποτισμένο με σαπουνόνερο, απορρυπαντικό κ.λπ. και, στη συνέχεια, στεγνώστε σκουπίζοντας.
- Μην χρησιμοποιείτε σκληρές βούρτσες, καθαρές χαλύβδινες μπάλες, συρματόβουρτσες, αποξεστικά (όπως οδοντόκρεμες), οργανικούς διαλύτες (όπως οινόπνευμα, ασετόν, λάδι μπανάνας κ.λπ.), βραστό νερό, όξινα ή αλκαλικά στοιχεία, που μπορεί να προκαλέσουν βλάβη στην επιφάνεια και το εσωτερικό του ψυγείου. Το βραστό νερό και οι οργανικοί διαλύτες, όπως η βενζίνη, ενδέχεται να παραμορφώσουν ή να καταστρέψουν τα πλαστικά μέρη.
- Μην ξεπλένετε απευθείας με νερό ή άλλα υγρά κατά τον καθαρισμό για να αποφύγετε βραχυκύκλωμα και να μην επηρεάσετε την ηλεκτρική μόνωση λόγω διαποτισμού.

ΠΡΟΣΟΧΗ

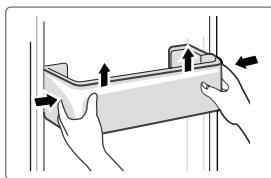
Αποσυνδέστε το ψυγείο για απόψυξη και καθαρισμό.

Απόψυξη

- Το ψυγείο κατασκευάζεται με βάση την αρχή της ψύξης του αέρα και έτσι διαθέτει λειτουργία αυτόματης απόψυξης. Ο παγετός που σχηματίζεται λόγω αλλαγής εποχής ή θερμοκρασίας μπορεί επίσης να αφαιρεθεί χειροκίνητα με αποσύνδεση της συσκευής από την παροχή ρεύματος ή σκουπίζοντας με στεγνή πετσέτα.

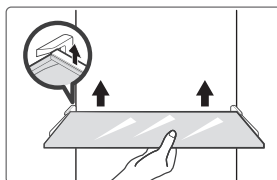
Καθαρισμός ραφιού πόρτας

- Σύμφωνα με το βέλος κατεύθυνσης στο παρακάτω σχήμα, χρησιμοποιήστε και τα δύο χέρια για να συμπίεσετε το ράφι και να το σπρώξετε προς τα πάνω, ώστε να μπορέσετε να το αφαιρέσετε.
- Αφού καθαρίσετε το ράφι που αφαιρέσατε, μπορείτε να προσαρμόσετε το ύψος εγκατάστασης ανάλογα με τις απαιτήσεις σας.



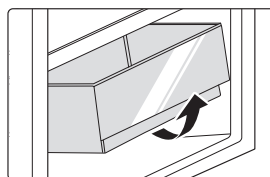
Καθαρισμός γυάλινου ραφιού

- Δεδομένου ότι το εσωτερικό μέρος της επένδυσης του ψυγείου όπου έρχεται σε επαφή με τα ράφια έχει οπίσθιο στήριγμα, θα πρέπει να σηκώσετε τα ράφια προς τα πάνω, ώστε να μπορέσετε να τα αφαιρέσετε.
- Ρυθμίστε ή καθαρίστε τα ράφια σύμφωνα με τις απαιτήσεις σας.



Καθαρισμός του συρταριού λαχανικών

1. Αφαιρέστε τα περιεχόμενα του συρταριού. Κρατήστε το χερούλι του συρταριού λαχανικών και τραβήξτε το εντελώς προς τα έξω έως ότου να σταματήσει.
2. Σηκώστε το συρτάρι λαχανικών προς τα πάνω και αφαιρέστε το τραβώντας το προς τα έξω.



Διακοπή λειτουργίας

Διακοπή ρεύματος:

Σε περίπτωση διακοπής ρεύματος, ακόμα κι αν είναι το καλοκαίρι, τα τρόφιμα μέσα στη συσκευή μπορούν να διατηρηθούν για αρκετές ώρες. Κατά τη διάρκεια της διακοπής ρεύματος, οι χρόνοι ανοίγματος της πόρτας πρέπει να μειωθούν και δεν θα πρέπει να τοποθετούνται επιπλέον φρέσκα τρόφιμα μέσα στη συσκευή.

Παρατεταμένη διακοπή χρήσης:

Η συσκευή πρέπει να αποσυνδεθεί από το ρεύμα και μετά να καθαριστεί. Στη συνέχεια οι πόρτες αφήνονται ανοιχτές για να αποφευχθεί η δημιουργία οσμών.

Μετακίνηση:

Πριν μετακινηθεί το ψυγείο, βγάλτε όλα τα αντικείμενα από μέσα, στερεώστε τα γυάλινα χωρίσματα, τη φρουτοθήκη, τα συρτάρια του θαλάμου κατάψυξης κ.λπ., με ταινία και σφίξτε τα ποδαράκια οριζοντίωσης. Κλείστε τις πόρτες και στερεώστε τις με ταινία. Κατά τη μετακίνηση, η συσκευή δεν θα πρέπει να τοποθετηθεί ανάποδα, οριζόντια ή να ταρακουνηθεί. Η κλίση κατά τη διάρκεια της μετακίνησης δεν πρέπει να υπερβαίνει τις 45°.

ΠΡΟΣΟΧΗ

Η συσκευή πρέπει να λειτουργεί συνεχώς μετά την εκκίνηση. Γενικά, η λειτουργία της συσκευής δεν πρέπει να διακόπτεται. Διαφορετικά, η διάρκεια ζωής μπορεί να μειωθεί.

ΑΝΤΙΜΕΤΩΠΙΣΗ ΠΡΟΒΛΗΜΑΤΩΝ

Τα παρακάτω απλά ζητήματα μπορούν να επιλυθούν από τον χρήστη. Καλέστε το τμήμα εξυπηρέτησης μετά την πώληση εάν τα προβλήματα παραμένουν.

Πρόβλημα	Πιθανή αιτία
Αποτυχία λειτουργίας	• Ελέγξτε εάν η συσκευή είναι συνδεδεμένη με το ρεύμα ή εάν το φως έχει καλή επαφή
	• Ελέγξτε εάν η τάση είναι πολύ χαμηλή
	• Ελέγξτε εάν υπάρχει διακοπή ρεύματος ή έχουν βραχυκυκλώσει κάποια κυκλώματα
Οσμή	• Τα τρόφιμα με έντονη μυρωδιά πρέπει να τυλίγονται σφιχτά
	• Ελέγξτε εάν έχουν χαλάσει κάποια τρόφιμα
	• Καθαρίστε το εσωτερικό του ψυγείου
Μακροχρόνια λειτουργία του συμπιεστή	• Η μακροχρόνια λειτουργία του ψυγείου είναι φυσιολογική το καλοκαίρι όταν η θερμοκρασία περιβάλλοντος είναι υψηλή
	• Δεν συνιστάται να έχετε υπερβολικά πολλά τρόφιμα μέσα στη συσκευή ταυτόχρονα
	• Τα τρόφιμα πρέπει να κρυώσουν πριν τοποθετηθούν στη συσκευή
Το φως δεν ανάβει	• Οι πόρτες ανοίγουν πολύ συχνά
	• Ελέγξτε εάν το ψυγείο είναι συνδεδεμένο στο ρεύμα και εάν το φως έχει υποστεί ζημιά
	• Ζητήστε από έναν ειδικό να αντικαταστήσει τη λυχνία φωτός
Η πόρτα δεν κλείνει σωστά	• Η πόρτα έχει κολλήσει από συσκευασίες τροφίμων
	• Το ψυγείο είναι κεκλιμένο.
Δυνατός θόρυβος	• Ελέγξτε εάν το δάπεδο είναι επίπεδο και αν το ψυγείο έχει τοποθετηθεί σταθερά
	• Ελέγξτε εάν τα εξαρτήματα έχουν τοποθετηθεί σε κατάλληλες θέσεις

Πρόβλημα	Πιθανή αιτία
<p>Η στεγανοποίηση της πόρτας δεν είναι σφικτή</p>	<ul style="list-style-type: none"> • Αφαιρέστε ξένα σώματα από τη σφράγιση της πόρτας • Θερμάνετε το λάστιχο της πόρτας και, στη συνέχεια, αφήστε το να ψυχθεί για αποκατάσταση (χρησιμοποιήστε ένα σεσουάρ μαλλιών ή μια ζεστή πετσέτα για να το θερμάνετε)
<p>Υπερχείλιση του δίσκου νερού</p>	<ul style="list-style-type: none"> • Υπάρχουν υπερβολικά πολλά τρόφιμα στον θάλαμο ή τα τρόφιμα που αποθηκεύονται περιέχουν πολύ νερό, με αποτέλεσμα έντονη απόψυξη • Οι πόρτες δεν έχουν κλείσει σωστά, με αποτέλεσμα να παγώνουν λόγω εισόδου αέρα και αυξημένου νερού λόγω απόψυξης
<p>Ζεστό περιβάλημα</p>	<ul style="list-style-type: none"> • Απαγωγή θερμότητας του ενσωματωμένου συμπυκνωτή μέσω του περιβλήματος, κάτι που είναι φυσιολογικό. Όταν το περιβάλημα ζεσταθεί λόγω της υψηλής θερμοκρασίας περιβάλλοντος, η αποθήκευση υπερβολικής ποσότητας τροφίμων ή η διακοπή λειτουργίας του συμπιεστή, παρέχετε καλό εξαερισμό για διευκόλυνση της απαγωγής θερμότητας
<p>Επιφανειακή συμπύκνωση υδρατμών</p>	<ul style="list-style-type: none"> • Η συμπύκνωση υδρατμών στην εξωτερική επιφάνεια και τις στεγανοποιήσεις των πορτών του ψυγείου είναι φυσιολογική όταν η υγρασία περιβάλλοντος είναι πολύ υψηλή. Απλώς σκουπίστε την υγρασία με μια καθαρή πετσέτα.
<p>Μη φυσιολογικός θόρυβος</p>	<ul style="list-style-type: none"> • Βόμβος: Ο συμπιεστής μπορεί να παράγει βόμβους κατά τη λειτουργία και οι βόμβοι είναι δυνατόι ιδιαίτερα κατά την εκκίνηση ή τη διακοπή. Αυτό είναι φυσιολογικό. • Τρίξιμο: Το ψυκτικό που ρέει στο εσωτερικό της συσκευής μπορεί να προκαλέσει τρίξιμο, κάτι που είναι φυσιολογικό.

ΠΑΡΑΡΤΗΜΑ

Ειδικό για το νέο ευρωπαϊκό πρότυπο

Τα εξαρτήματα στον παρακάτω πίνακα μπορούν να αποκτηθούν από το δίκτυο τεχνικής εξυπηρέτησης

Εξάρτημα παραγγελίας	Παρέχεται από	Ελάχιστος χρόνος που απαιτείται για παροχή
Θερμοστάτες	Επαγγελματικό προσωπικό συντήρησης	Τουλάχιστον 7 χρόνια μετά την κυκλοφορία του τελευταίου μοντέλου στην αγορά
Αισθητήρες θερμοκρασίας	Επαγγελματικό προσωπικό συντήρησης	Τουλάχιστον 7 χρόνια μετά την κυκλοφορία του τελευταίου μοντέλου στην αγορά
Πλακέτες τυπωμένων κυκλωμάτων	Επαγγελματικό προσωπικό συντήρησης	Τουλάχιστον 7 χρόνια μετά την κυκλοφορία του τελευταίου μοντέλου στην αγορά
Πηγή φωτός	Επαγγελματικό προσωπικό συντήρησης	Τουλάχιστον 7 χρόνια μετά την κυκλοφορία του τελευταίου μοντέλου στην αγορά
λαβές πόρτας	Επαγγελματίες τεχνικοί και τελικοί χρήστες	Τουλάχιστον 7 χρόνια μετά την κυκλοφορία του τελευταίου μοντέλου στην αγορά
Μεντεσέδες πόρτας	Επαγγελματίες τεχνικοί και τελικοί χρήστες	Τουλάχιστον 7 χρόνια μετά την κυκλοφορία του τελευταίου μοντέλου στην αγορά
Ράφια	Επαγγελματίες τεχνικοί και τελικοί χρήστες	Τουλάχιστον 7 χρόνια μετά την κυκλοφορία του τελευταίου μοντέλου στην αγορά
Καλάθια	Επαγγελματίες τεχνικοί και τελικοί χρήστες	Τουλάχιστον 7 χρόνια μετά την κυκλοφορία του τελευταίου μοντέλου στην αγορά
Λάστιχα πόρτας	Επαγγελματίες τεχνικοί και τελικοί χρήστες	Τουλάχιστον 10 χρόνια μετά την κυκλοφορία του τελευταίου μοντέλου στην αγορά

Αγαπητέ πελάτη

1. Εάν θέλετε να επιστρέψετε ή να αντικαταστήσετε το προϊόν, επικοινωνήστε με το κατάστημα αγοράς.

(Θυμηθείτε να φέρετε το τιμολόγιο αγοράς)

2. Εάν το προϊόν σας χαλάσει και πρέπει να επισκευαστεί, επικοινωνήστε με τον πάροχο υπηρεσιών μετά την πώληση.

ΠΡΟΣΟΧΗ

Μπορείτε να λάβετε τις πληροφορίες μοντέλου στη βάση δεδομένων του προϊόντος, καθώς επίσης και το αναγνωριστικό μοντέλου, μέσω μιας ιστοσελίδας, σαρώνοντας τον κωδικό QR, εάν υπάρχει, στην ετικέτα ενεργειακής απόδοσης του προϊόντος.

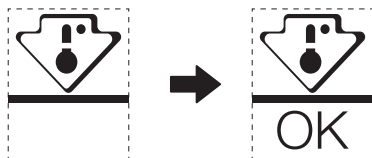
Για περισσότερες πληροφορίες σχετικά με την ενεργειακή απόδοση της συσκευής, επισκεφθείτε τη διεύθυνση <https://ec.europa.eu> και αναζητήστε χρησιμοποιώντας το όνομα του μοντέλου.

Το όνομα μοντέλου βρίσκεται στην ετικέτα αξιολόγησης της συσκευής.

Η ψυχρότερη ζώνη στο ψυγείο

ΠΡΟΑΙΡΕΤΙΚΑ: Ένδειξη θερμοκρασίας OK

- Η ένδειξη θερμοκρασίας OK μπορεί να χρησιμοποιηθεί για τον προσδιορισμό θερμοκρασιών κάτω από τους +4°C. Μειώστε σταδιακά τη θερμοκρασία εάν η ένδειξη δεν είναι «OK».



- Για να διασφαλίσετε τη θερμοκρασία σε αυτή την περιοχή, μην αλλάζετε τη θέση του ραφιού. Στα ψυγεία ροής αέρα (εξοπλισμένα με ανεμιστήρα ή μοντέλα No Frost) το σύμβολο της ψυχρότερης ζώνης δεν απεικονίζεται, επειδή η θερμοκρασία στο εσωτερικό είναι ομοιόμορφη.

Ρύθμιση ένδειξης θερμοκρασίας

- Για διευκόλυνση της σωστής ρύθμισης, το ψυγείο σας είναι εξοπλισμένο με μια ένδειξη θερμοκρασίας που παρακολουθεί τη μέση θερμοκρασία της ψυχρότερης ζώνης.
- ΠΡΟΕΙΔΟΠΟΙΗΣΗ: Αυτή η ένδειξη προορίζεται μόνο για λειτουργία με το ψυγείο σας, μην τη χρησιμοποιείτε σε άλλο ψυγείο (στην πραγματικότητα, η ψυχρότερη ζώνη δεν είναι η ίδια) ή για οποιαδήποτε άλλη χρήση.

Έλεγχος της θερμοκρασίας στην ψυχρότερη ζώνη

- Με την ένδειξη θερμοκρασίας, μπορείτε να ελέγχετε τακτικά ότι η θερμοκρασία της ψυχρότερης ζώνης είναι σωστή. Πράγματι, η εσωτερική θερμοκρασία του ψυγείου εξαρτάται από διάφορους παράγοντες, όπως η θερμοκρασία περιβάλλοντος του χώρου, η ποσότητα των αποθηκευμένων τροφίμων και η συχνότητα ανοίγματος της πόρτας. Λάβετε υπόψη σας αυτούς τους παράγοντες κατά τη ρύθμιση της συσκευής.
- Όταν η ένδειξη είναι «OK», σημαίνει ότι ο θερμοστάτης είναι ρυθμισμένος κατάλληλα και η θερμοκρασία στο εσωτερικό είναι σωστή.
- Εάν η ένδειξη της θερμοκρασίας γίνει ΛΕΥΚΗ, αυτό σημαίνει ότι η θερμοκρασία είναι πολύ υψηλή- σε αυτή την περίπτωση, αυξήστε τη ρύθμιση ελέγχου της θερμοκρασίας του ψυγείου και περιμένετε 12 ώρες προτού πραγματοποιήσετε νέο οπτικό έλεγχο της ένδειξης. Εάν έχουν τοποθετηθεί φρέσκα τρόφιμα ή η πόρτα έχει μείνει ανοιχτή, ενδέχεται να χρειαστεί λίγος χρόνος έως ότου η ένδειξη της θερμοκρασίας να γίνει ΛΕΥΚΗ.

ΔΗΛΩΣΗ ΣΥΜΜΟΡΦΩΣΗΣ ΚΑΙ ΠΙΣΤΟΠΟΙΗΣΕΙΣ

Δήλωση συμμόρφωσης

Με το παρόν επιβεβαιώνουμε ότι τα ακόλουθα ονόματα μοντέλων πελατών και τα ονόματα μοντέλων της Midea αντίστοιχα ταιριάζουν μεταξύ τους.

Μάρκα	Μοντέλο Midea	Μοντέλο μάρκετινγκ	Εργοστασιακό μοντέλο
Midea	HD-403RWENJ	MDRB424FGE01I	CE-BCD310WE-JT
Midea	HD-403RWENJ	MDRB424FGE02I	CE-BCD310WE-JT

Όνομα κατασκευαστή: Guangzhou Midea Hualing Refrigerator Co., Ltd.
Διεύθυνση κατασκευαστή: No. 5 Xinguangsi Road, Qianfeng Zhujiang, Nansha District, Guangzhou City, Guangdong Province, P.R.China

Εμείς, η Guangzhou Midea Hualing Refrigerator Co., Ltd., δηλώνουμε ότι τα προαναφερόμενα προϊόντα συμμορφώνονται με τους προαναφερόμενους ισχύοντες κανονισμούς και πρότυπα.



make yourself at home



www.midea.com

© Midea 2022 all rights reserved