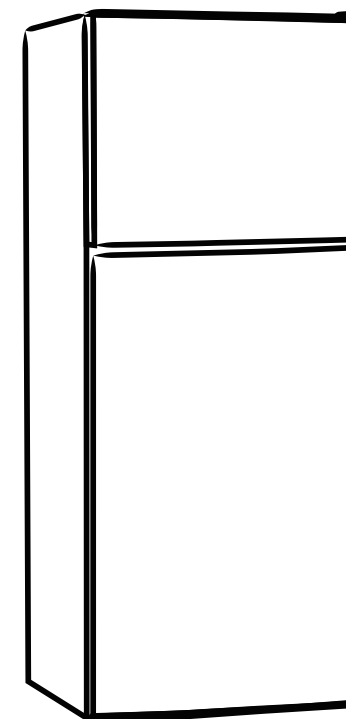


**REFRIGERATOR**  
**Top Freezer**

- EN
- PT
- ES
- DE
- IT
- GR

**USER MANUAL**



**Warning:**  
 Before using this product,  
 please read this manual carefully  
 and keep it for future reference.  
 The design and specifications  
 are subject to change without  
 prior notice for product  
 improvement. Consult with your  
 dealer or manufacturer for  
 details.

version:003-8-2021

**MODEL: MDRT385MTF**  
**SERIES**

[www.midea.com](http://www.midea.com)

# CONTENTS

1 Safety warnings	
1.1 Warning	1
1.2 Meanings of safety warning symbols	3
1.3 Electricity related warnings	3
1.4 Warnings for using	4
1.5 Warnings for placement	4
1.6 Warnings for energy	5
1.7 Warnings for disposal	5
2 Proper use of the refrigerator	
2.1 Placement	6
2.2 Levelling feet	7
2.3 Door right-left change	7
2.4 Changing the Light	10
2.5 Starting	10
2.6 Energy saving tips	10
3 Structure and functions	
3.1 Key components	11
3.2 Functions	12
4 Maintenance and care of the refrigerator	
4.1 Overall cleaning	13
4.2 Cleaning glass shelf	13
4.3 Defrosting	14
4.4 Out of operation	14
5 Trouble shooting	15

## 1 Safety warnings

### 1.1 Warning



**Warning:** risk of fire / flammable materials

**THIS** appliance is intended to be used in household and similar applications such as staff kitchen areas in shops, offices and other working environments; farm houses and by clients in hotels, motels and other residential type environments; bed and breakfast type environments; catering and similar non-retail applications.

**THIS** appliance is not intended for use by persons (including children) with reduced physical, sensory or mental capabilities, or lack of experience and knowledge, unless they have been given supervision or instruction concerning use of the appliance by a person responsible for their safety.) Children should be supervised to ensure that they do not play with the appliance.

**IF** the supply cord is damaged, it must be replaced by the manufacturer, its service agent or similarly qualified persons in order to avoid a hazard.

**DO** not store explosive substances such as aerosol cans with a flammable propellant in this appliance.

**THE** appliance has to be unplugged after use and before carrying out user maintenance on the appliance.

**WARNING:** Keep ventilation openings, in the appliance enclosure or in the built-in structure, clear of obstruction.

**WARNING:** Do not use mechanical devices or other means to accelerate the defrosting process, other than those recommended by the manufacturer.

**WARNING:** Do not damage the refrigerant circuit.

**WARNING:** Do not use electrical appliances inside the food storage compartments of the appliance, unless they are of the type recommended by the manufacturer.

**WARNING:** Please abandon the refrigerator according to local regulators for it use flammable blowing gas and refrigerant.

**WARNING:** When positioning the appliance, ensure the supply cord is not trapped or damaged.

**WARNING:** Do not locate multiple portable socket-outlets or portable power supplies at the rear of the appliance.

**DO** not use extension cords or ungrounded ( two prong ) adapters.

**DANGER:** Risk of child entrapment. Before you throw away your old refrigerator or freezer:

–Take off the doors.

–Leave the shelves in place so that children may not easily climb inside.

**THE** refrigerator must be disconnected from the source of electrical supply before attempting the installation of accessory.

**REFRIGERANT** and cyclopentane foaming material used for the appliance are flammable. Therefore, when the appliance is scrapped, it shall be kept away from any fire source and be recovered by a special recovering company with corresponding qualification other than be disposed by combustion, so as to prevent damage to the environment or any other harm.

**CHILDREN** should be supervised to ensure that they do not play with the appliance.

**FOR** EN standard: This appliance can be used by children aged from 8 years and above and persons with reduce physical sensory or mental capabilities or lack of experience and knowledge if they have been given supervision or instruction concerning use of the appliance in a safe way and understand the hazards involved. Children shall not play with the appliance. Cleaning and user maintenance shall not be made by children without supervision. Children aged from 3 to 8 years are allowed to load and unload refrigerating appliances.

**TO** avoid contamination of food , please respect the following instructions:




- Opening the door for long periods can cause a significant increase of the temperature in the compartments of the appliance.
- Clean regularly surfaces that can come in contact with food and accessible drainage systems.
- Clean water tanks if they have not been used for 48 h; flush the water system connected to a water supply if water has not been drawn for 5 days. (note 1)
- Store raw meat and fish in suitable containers in the refrigerator, so that it is not in contact with or drip onto other food.
- Two-star **\*\*** frozen-food compartments are suitable for storing pre-frozen food, storing or making ice-cream and making ice cubes. (note 2)
- One **\***-, two **\*\***-and three-star **\*\*\*** compartments are not suitable for the freezing of fresh food. (note 3)
- If the refrigerating appliance is left empty for long periods, switch off, defrost, clean, dry, and leave the door open to prevent mould developing within the appliance.

Note 1,2,3: Please confirm whether it is applicable according to your product compartment type.

**Any** replacement or maintenance of the LED lamps is intended to be made by the manufacturer, its service agent or similar qualified person.

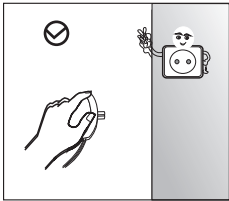


## 1.2 Meaning of safety warning symbols

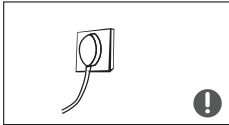
	This is a prohibition symbol. Any in compliance with instructions marked with this symbol may result in damage to the product or endanger the personal safety of the user.
	This is a warning symbol. It is required to operate in strict observance of instructions marked with this symbol; or otherwise damage to the product or personal injury may be caused.
	This is a cautioning symbol. Instructions marked with this symbol require special caution. Insufficient caution may result in slight or moderate injury, or damage to the product.

This manual contains lots of important safety information which shall be observed by the users.

## 1.3 Electricity related warnings



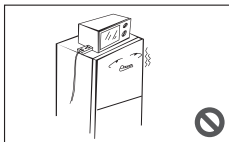
- Do not pull the power cord when pulling the power plug of the refrigerator. Please firmly grasp the plug and pull out it from the socket directly.
- To ensure safe use, do not damage the power cord or use the power cord when it is damaged or worn.



- Please use a dedicated power socket and the power socket shall not be shared with other electrical appliances. The power plug should be firmly contacted with the socket or else fires might be caused.
- Please ensure that the grounding electrode of the power socket is equipped with a reliable grounding line.

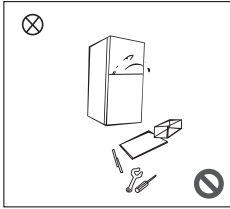


- Please turn off the valve of the leaking gas and then open the doors and windows in case of leakage of gas and other flammable gases. Do not unplug the refrigerator and other electrical appliances considering that spark may cause a fire.

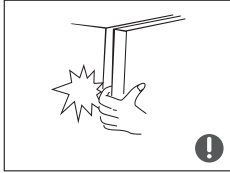


- Do not use electrical appliances on the top of the appliance, unless they are of the type recommended by the manufacturer.

## 1.4 Warnings for using



- Do not arbitrarily disassemble or reconstruct the refrigerator, nor damage the refrigerant circuit; maintenance of the appliance must be conducted by a specialist
- Damaged power cord must be replaced by the manufacturer, its maintenance department or related professionals in order to avoid danger.



- The gaps between refrigerator doors and between doors and refrigerator body are small, be noted not to put your hand in these areas to prevent from squeezing the finger. Please be gentle when close the refrigerator door to avoid falling articles.
- Do not pick foods or containers with wet hands in the freezing chamber when the refrigerator is running, especially metal containers in order to avoid frostbite.

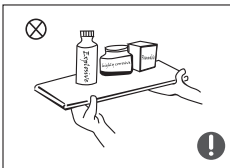


- Do not allow any child to get into or climb the refrigerator; otherwise suffocation or falling injury of the child may be caused.

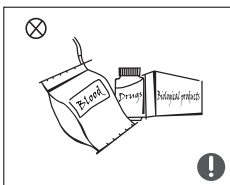


- Do not place heavy objects on the top of the refrigerator considering that objects may fall when close or open the door, and accidental injuries might be caused.
- Please pull out the plug in case of power failure or cleaning. Do not connect the refrigerator to power supply within five minutes to prevent damages to the compressor due to successive starts.

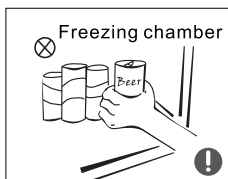
## 1.5 Warnings for placement



- Do not put flammable, explosive, volatile and highly corrosive items in the refrigerator to prevent damages to the product or fire accidents.
- Do not place flammable items near the refrigerator to avoid fires.



- The refrigerator is intended for household use, such as storage of foods; it shall not be used for other purposes, such as storage of blood, drugs or biological products, etc.



- Do not store beer, beverage or other fluid contained in bottles or enclosed containers in the freezing chamber of the refrigerator; or otherwise the bottles or enclosed containers may crack due to freezing to cause damages.

## 1.6 Warnings for energy

### Warning for energy

- 1) Refrigerating appliances might not operate consistently (possibility of defrosting of contents or temperature becoming too warm in the frozen food compartment) when sited for an extended period of time below the cold end of the range of temperatures for which the refrigerating appliance is designed.
- 2) The fact that effervescent drinks should not be stored in food freezer compartments or cabinets or in low-temperature compartments or cabinets, and that some products such as water ices should not be consumed too cold;
- 3) The need to not exceed the storage time(s) recommended by the food manufacturers for any kind of food and particularly for commercially quick-frozen food in food-freezer and frozen-food storage compartments or cabinets;
- 4) The precautions necessary to prevent an undue rise in the temperature of the frozen food while defrosting the refrigerating appliance, such as wrapping the frozen food in several layers of newspaper.
- 5) The fact that a rise in temperature of the frozen food during manual defrosting, maintenance or cleaning could shorten the storage life.
- 6) The necessity that, for doors or lids fitted with locks and keys, the keys be kept out of the reach of children and not in the vicinity of the refrigerating appliance, in order to prevent children from being locked inside.

## 1.7 Warnings for disposal

Refrigerant and cyclopentane foaming material used for the refrigerator are flammable. Therefore, when the refrigerator is scrapped, it shall be kept away from any fire source and be recovered by a special recovering company with corresponding qualification other than be disposed by combustion, so as to prevent damage to the environment or any other harm.



When the refrigerator is scrapped, disassemble the doors, and remove gasket of door and shelves; put the doors and shelves in a proper place, so as to prevent trapping of any child.

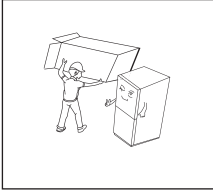


### Correct Disposal of this product :

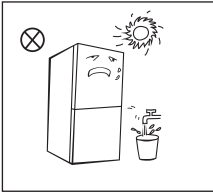
This marking indicates that this product should not be disposed with other household wastes. To prevent possible harm to the environment or human health from uncontrolled waste disposal, recycle it responsibly to promote the sustainable reuse of material resources. To return your used device, please use the return and collection systems or contact the retailer where the product was purchased. They can take this product for environmental safe recycling.

## 2 Proper use of refrigerators

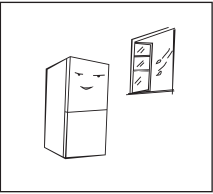
### 2.1 Placement



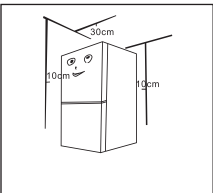
- Before use, remove all packing materials, including bottom cushions, foam pads and tapes inside of the refrigerator; tear off the protective film on the doors and the refrigerator body.



- Keep away from heat and avoid direct sunlight. Do not place the freezer in moist or watery places to prevent rust or reduction of insulating effect.
- Do not spray or wash the refrigerator; do not put the refrigerator in moist places easy to be splashed with water so as not to affect the electrical insulation properties of the refrigerator.



- The refrigerator is placed in a well-ventilated indoor place; the ground shall be flat, and sturdy (rotate left or right to adjust the wheel for levelling if unstable).



- The top space of the refrigerator shall be greater than 30cm, and the refrigerator should be placed against a wall with a free distance more than 10cm to facilitate heat dissipation.

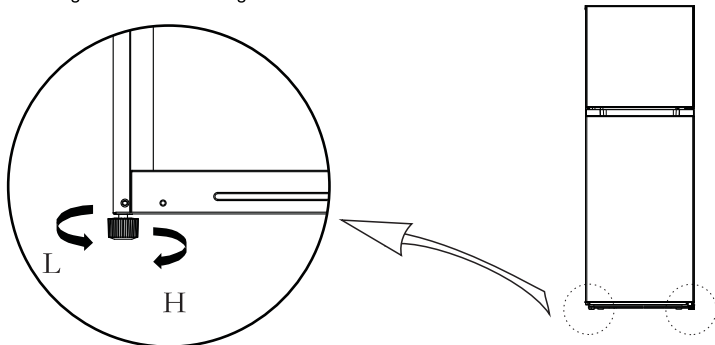
#### ⚠ Precautions before installation:

Before installation or adjusting of accessories, it shall be ensured that the refrigerator is disconnected from power.

Precautions shall be taken to prevent fall of the handle from causing any personal injury.

## 2.2 Leveling feet

Schematic diagram of the leveling feet







(The picture above is only for reference. The actual configuration will depend on the physical product or statement by the distributor)

Adjusting procedures:

- Turn the feet clockwise to raise the refrigerator;
- Turn the feet counterclockwise to lower the refrigerator;
- Adjust the right and left feet based on the procedures above to a horizontal level.

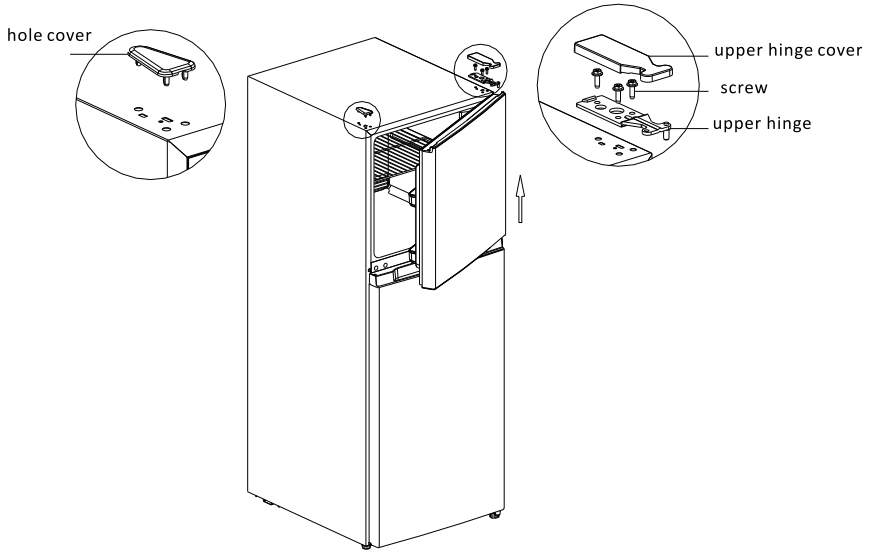
## 2.3 Door Right-Left Change

List of tools to be provided by the user			
	Cross screwdriver		Putty knife thin-blade screwdriver
	5/16" socket and ratchet		Masking tape

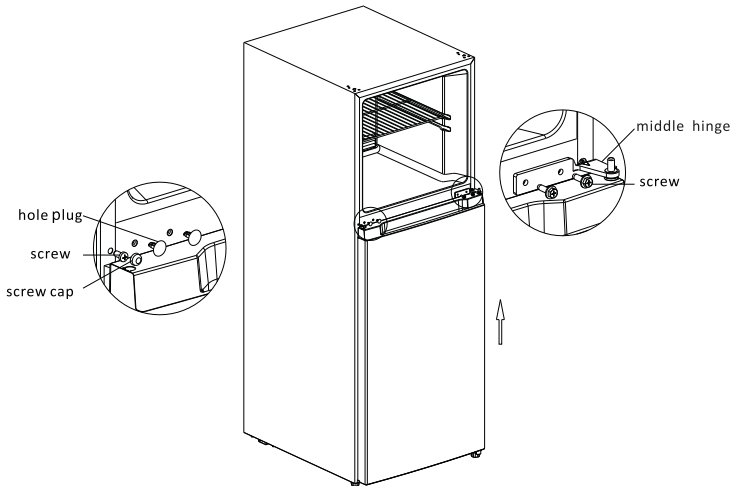
Parts to be used for door reverse			
SN	part	Quantity	Notes
1	Right upper hinge	1	Pre-installed on the refrigerator and to be used when changing the door
2	Right upper hinge cover	1	Pre-installed on the refrigerator and to be used when changing the door
3	Upper hinge axle sleeve	1	Pre-installed on the refrigerator and to be used when changing the door
4	Upper hinge screw	3	Pre-installed on the refrigerator and to be used when changing the door
5	Hole cover	1	Pre-installed on the refrigerator and to be used when changing the door
6	Middle hinge screw	2	Pre-installed on the refrigerator and to be used when changing the door
7	Middle hinge	1	Pre-installed on the refrigerator and to be used when changing the door
8	Hole plug	2	Pre-installed on the refrigerator and to be used when changing the door
9	Middle beam screw	1	Pre-installed on the refrigerator and to be used when changing the door
10	Middle beam screw cap	1	Pre-installed on the refrigerator and to be used when changing the door
11	Adjustable foot	1	Pre-installed on the refrigerator and to be used when changing the door
12	Lower hinge screw	3	Pre-installed on the refrigerator and to be used when changing the door
13	Lower hinge assembly	1	Pre-installed on the refrigerator and to be used when changing the door
14	Lower end cover screw of freezing door	1	Pre-installed on the refrigerator and to be used when changing the door
15	Lower end cover limiting block of freezing door	1	Pre-installed on the refrigerator and to be used when changing the door
16	Lower end cover screw of refrigerate door	1	Pre-installed on the refrigerator and to be used when changing the door
17	Lower end cover limiting block of refrigerate door	1	Pre-installed on the refrigerator and to be used when changing the door
18	Upper end cover axle sleeve of refrigerate door	1	Pre-installed on the refrigerator and to be used when changing the door

1) Please power off this appliance before conduct this operation. Remove all food from door shelves.

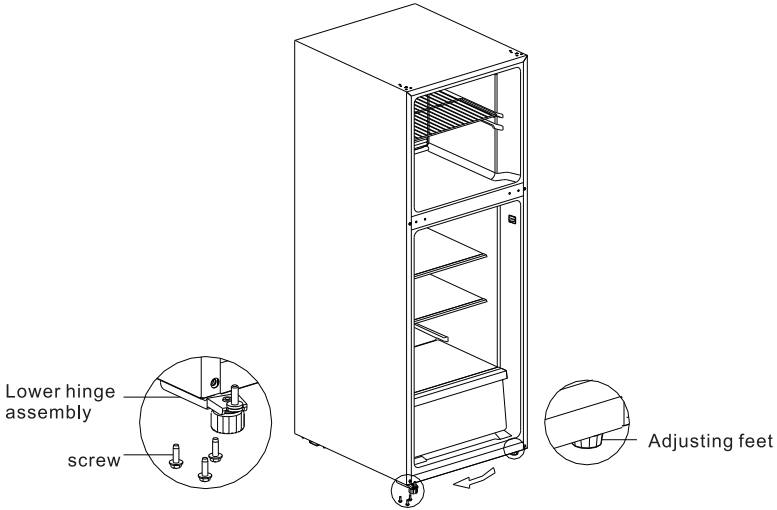
2) Remove hole cap, the upper hinge cover, fitting screws of upper hinge, upper hinge and sleeve pipe, then uplift the freezer door until it is separated from cabinet completely.



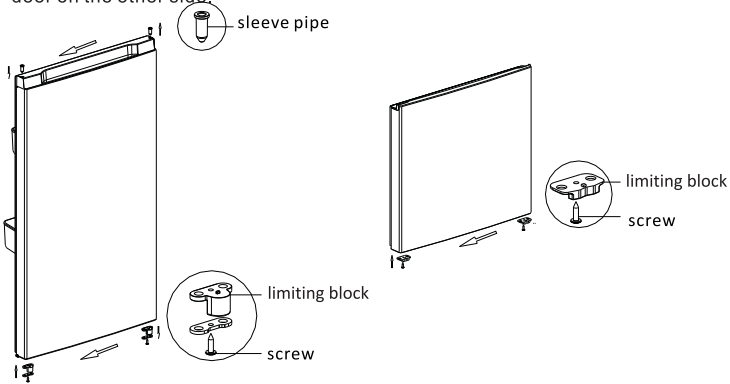
3) Unscrew the middle hinge screws, remove the middle hinge, and remove the two hole plug, a screw, a screw cap on the middle beam, then remove the refrigerator door.



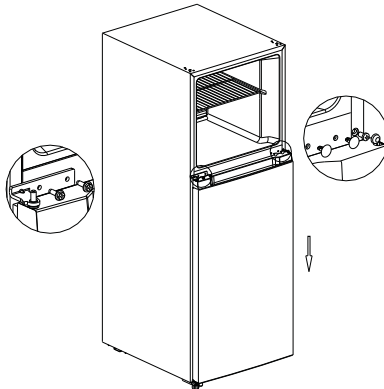
4) Remove the adjusting feet, lower hinge screw and lower hinge assembly, then install the lower hinge assembly on the other side of the box and install the adjusting feet on the side of the adjusting feet opening.



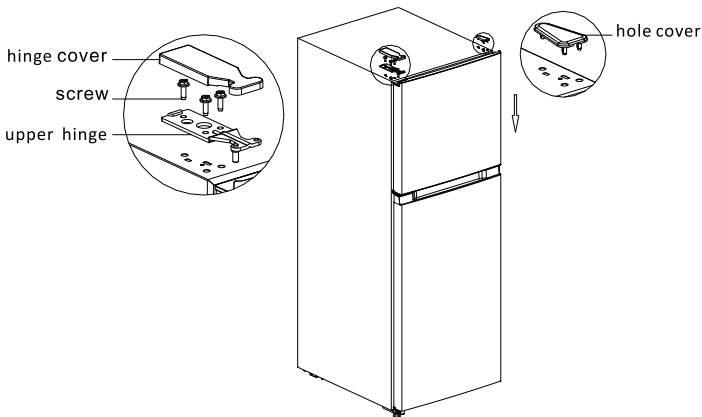
5) Dismantle the limiting blocks and screws on the lower cover of both refrigerator door and freezing door, install them on the other side of both doors; then install the sleeve pipe on the upper cover of the refrigerator door on the other side.



6) Install the refrigerator door on the lower hinge and then install the middle hinge and hole caps.



7) Install the freezing door on the middle hinge, and install the upper hinge, hinge cover and hole cover.

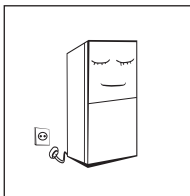


(The picture above is only for reference. The actual configuration will depend on the physical product or statement by the distributor)

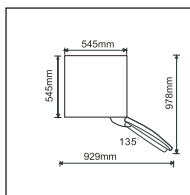
## 2.4 Changing the Light

Any replacement or maintenance of the LED lamps is intended to be made by the manufacturer, its service agent or similar qualified person.

## 2.5 Starting



- Before initial start, keep the refrigerator still for two hours before connecting it to power supply.
- Before putting any fresh or frozen foods, the refrigerator shall have run for 2-3 hours, or for above 4 hours in summer when the ambient temperature is high.



- Spare enough space for convenient opening of the doors and drawers or statement by the distributor.

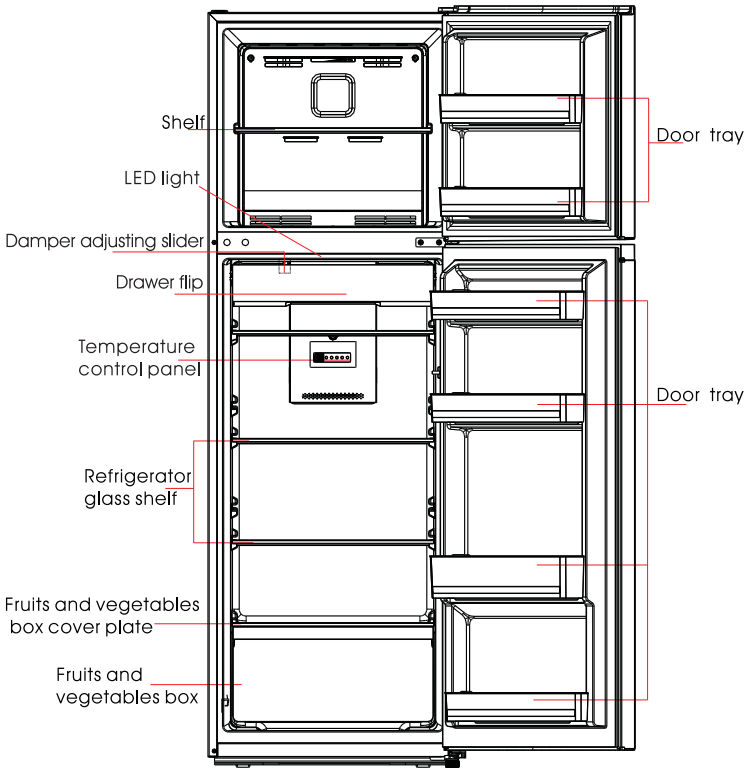
## 2.6 Energy saving tips

- The appliance should be located in the coolest area of the room, away from heat producing appliances or heating ducts, and out of the direct sunlight.
- Let hot foods cool to room temperature before placing in the appliance. Overloading the appliance forces the compressor to run longer. Foods that freeze too slowly may lose quality, or spoil.
- Be sure to wrap foods properly, and wipe containers dry before placing them in the appliance. This cuts down on frost build-up inside the appliance.
- Appliance storage bin should not be lined with aluminum foil, wax paper, or paper toweling. Liners interfere with cold air circulation, making the appliance less efficient.
- Organize and label food to reduce door openings and extended searches. Remove as many items as needed at one time, and close the door as soon as possible.



## 3 Structure and functions

### 3.1 Key components



(The picture above is only for reference. The actual configuration will depend on the physical product or statement by the distributor)

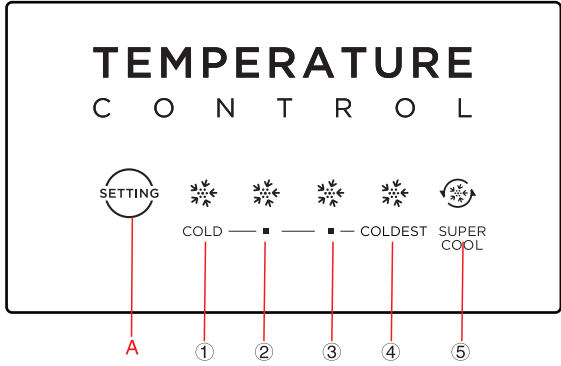
#### Refrigerating chamber

- The Refrigerating Chamber is suitable for storage of a variety of fruits, vegetables, beverages and other food consumed in the short term.
- Cooking foods shall not be put in the refrigerating chamber until cooled to room temperature.
- Foods are recommended to be sealed up before putting into the refrigerator.
- The glass shelves can be adjusted up or down for a reasonable amount of storage space and easy use.

#### Freezing chamber

- The low temperature freezing chamber may keep food fresh for a long time and it is mainly used to store frozen foods and making ice.
- The freezing chamber is suitable for storage of meat, fish, rice balls and other foods not to be consumed in short term.
- Chunks of meat are preferably to be divided into small pieces for quick freezing and easy access. Please be noted food shall be consumed within the shelf time.

### 3.2 Functions



Notes:  
 (The picture above is only for reference. The actual configuration will depend on the physical product or statement by the distributor)

1)Setting button  
 A: Setting button

2)Display screen  
 LED: ① gear(COLD)  
 LED: ② gear  
 LED: ③ gear  
 LED: ④ gear (COLDEST)  
 LED: ⑤ gear(SUPER COOL)

3)Display  
 When the refrigerator is on power, the display screen all LED light for 3 seconds, the default temperature is MID(③ gear).  
 When there is a failure, the LED light shows the fault code (loop display), the LED light displays as following table:

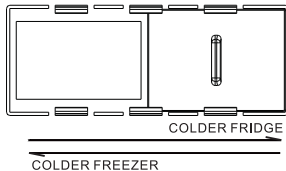
Error code	Error description
LED⑤,③flashing	Temperature sensor failure of refrigerating chamber
LED⑤,③ flashing	Defrost temperature sensor failure of freezing chamber
LED⑤,② flashing	The ambient temperature sensor failure

4)Gear setting  
 Every time you press setting button, the gear changes once, after setting the gear15s, the refrigerator will run according to the setting value.  
 Gear adjustment to:



5)Memory Function  
 The refrigerator can keep memory of following running status when power off.

6)Damper adjusting slider




The initial position of the damper adjusting slider is on the far right side.  
 For better user experienc, it is recommended to push the slider to right position, and turn the SETTING KEY to MID position.If it is not enough cool inside the refrigerator compartment, please check whether the slider is in left position,turn the slider to the right side.

## 4. Maintenance and care of the appliance

### 4.1 Overall cleaning

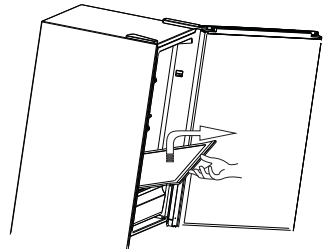
- Dusts behind the refrigerator and on the ground shall be timely cleaned to improve the cooling effect and energy saving.
- Check the door gasket regularly to make sure there are no debris. Clean the door gasket with a soft cloth dampened with soapy water or diluted detergent.
- The interior of the refrigerator should be cleaned regularly to avoid odor.
- Please turn off the power before cleaning interior, remove all foods, drinks ,shelves, drawers, etc.
- Use a soft cloth or sponge to clean the inside of the refrigerator, with two tablespoons of baking soda and a quart of warm water. Then rinse with water and wipe clean. After cleaning, open the door and let it dry naturally before turning on the power.
- For areas that are difficult to clean in the refrigerator (such as narrow sandwiches, gaps or corners), it is recommended to wipe them regularly with a soft rag, soft brush, etc. and when necessary, combined with some auxiliary tools (such as thin sticks) to ensure no contaminants or bacterials accumulation in these areas.
- Do not use soap, detergent, scrub powder, spray cleaner, etc., as these may cause odors in the interior of the refrigerator or contaminated food.
- Clean the bottle frame, shelves and drawers with a soft cloth dampened with soapy water or diluted detergent. Dry with a soft cloth or dry naturally.
- Wipe the outer surface of the refrigerator with a soft cloth dampened with soapy water, detergent, etc., and then wipe dry.
- Do not use hard brushes, clean steel balls, wire brushes, abrasives (such as toothpastes), organic solvents (such as alcohol, acetone, banana oil, etc.), boiling water, acid or alkaline items, which may damage the fridge surface and interior. Boiling water and organic solvents such as benzene may deform or damage plastic parts.
- Do not rinse directly with water or other liquids during cleaning to avoid short circuits or affect electrical insulation after immersion.

 Please unplug the refrigerator for defrost and cleaning.



### 4.2 Cleaning the glass shelf

- Lift up the front of glass shelf, and then pull out;
- Remove the glass shelf and clean as needed;
- The reverse operation is for installation of glass shelf.



### 4.3 Defrosting

- The refrigerator is made based on the air-cooling principle and thus has automatic defrosting function. Frost formed due to change of season or temperature may also be manually removed by disconnection of the appliance from power supply or by wiping with a dry towel.

### 4.4 Out of operation

- Power failure: In case of power failure, even if it is in summer, foods inside the appliance can be kept for several hours; during the power failure, the times of door opening shall be reduced, and no more fresh food shall be put into the appliance.
- Long-time nonuse: The appliance shall be unplugged and then cleaned; then the doors are left open to prevent odor.
- Moving: Before the refrigerator is moved, take all objects inside out, fix the glass partitions, vegetable holder, freezing chamber drawers and etc. with tape, and tighten the leveling feet; close the doors and fix them with tape. During moving, the appliance shall not be laid upside down or horizontally, or be vibrated; the inclination during movement shall be no more than 45°.



The appliance shall run continuously once it is started. Generally, the operation of the appliance shall not be interrupted; otherwise the service life may be impaired.

## 5 Trouble shooting

You may try to solve the following simple problems by yourself. If them cannot be solved, please contact the after-sales department.

Failed operation	<p>Check whether the appliance is connected to power or whether the plug is in well contact .</p> <p>Check whether the voltage is too low.</p> <p>Check whether there is a power failure or partial circuits have tripped.</p>
Odor	<p>Odorous foods shall be tightly wrapped.</p> <p>Check whether there is any rotten food.</p> <p>Clean the inside of the refrigerator.</p>
Long-time operation of the compressor	<p>Long operation of the refrigerator is normal in summer when the ambient temperature is high.</p> <p>It is not recommended having too much food in the appliance at the same time.</p> <p>Food shall get cool before being put into the appliance.</p> <p>The doors are opened too frequently.</p>
Light fails to get lit	<p>Check whether the refrigerator is connected to power supply and whether the illuminating light is damaged.</p>
Doors cannot be properly closed	<p>The door is stuck by food packages.</p> <p>The refrigerator is tilted.</p>
Loud noise	<p>Check whether the floor is level and whether the refrigerator is placed stably.</p> <p>Check whether accessories are placed at proper locations.</p>
Door seal fails to be tight	<p>Remove foreign matters on the door seal.</p> <p>Heat the door seal and then cool it for restoration (or blow it with an electrical drier or use a hot towel for heating).</p>
Water pan overflows	<p>There is too much food in the chamber or food stored contains too much water,resulting in heavy defrosting.</p> <p>The doors are not closed properly, resulting in frosting due to entry of air and increased water due to defrosting.</p>
Hot cabinet	<p>Heat dissipation of the built-in condenser via the housing, which is normal.</p> <p>When housing becomes hot due to high ambient temperature and storage of too much food,it is recommended to provide sound ventilation to facilitate heat dissipation.</p>
Surface condensation	<p>Condensation on the exterior surface and door seals of the refrigerator is normal when the ambient humidity is too high. Just wipe the condensate with a clean towel.</p>
Abnormal noise	<p>Buzz: The compressor may produce buzzes during operation, and the buzzes are loud particularly upon start or stop. This is normal.</p> <p>Creak: Refrigerant flowing inside of the appliance may produce creak, which is normal.</p>

Table 1 Climate classes

Class	Symbol	Ambient temperature range °C
Extended temperate	SN	+ 10 to + 32
Temperate	N	+ 16 to + 32
Subtropical	ST	+ 16 to + 38
Tropical	T	+ 16 to + 43

## Dear customer

1. If you want to return or replace the product, please contact the store where you buy.

(Remember to bring the purchase invoice)

2. If your product breaks down which needs to repair, please contact after-sales service provider.

Telephone:

Email address:

# CONTEÚDO

1 Avisos de segurança.....	1
1.1 Aviso.....	1
1.2 Significado dos símbolos de aviso de segurança.....	3
1.3 Avisos relacionados com a eletricidade.....	3
1.4 Avisos relativos à utilização.....	4
1.5 Avisos relativos ao posicionamento.....	4
1.6 Avisos relativos à energia.....	5
1.7 Advertência para eliminação.....	5
2 Utilização correta de frigoríficos.....	6
2.1 Posicionamento.....	6
2.2 Pés de nivelamento.....	7
2.3 Alteração de porta direita-esquerda.....	7
2.4 Mudar a lâmpada.....	10
2.5 Início.....	10
2.6 Dicas de poupança de energia.....	10
3 Estrutura e funções.....	11
3.1 Componentes principais.....	11
3.2 Funções.....	12
4 Manutenção e cuidados com o frigorífico.....	13
4.1 Limpeza geral.....	13
4.2 Limpar a prateleira de vidro.....	13
4.3 Descongelar.....	14
4.4 Fora de serviço.....	14
5 Resolução de problemas.....	15

# 1 Avisos de segurança

## 1.1 Aviso



**Aviso:** perigo de incêndio / materiais inflamáveis

**ESTE** aparelho destina-se a ser utilizado em casa e em aplicações semelhantes, tais como áreas de cozinha para pessoal em lojas, escritórios e outros ambientes de trabalho; quintas e por clientes em hotéis, motéis e outros tipos de ambientes residenciais; ambientes tipo pousada; serviços de catering e aplicações semelhantes que não se destinem a retalho.

**ESTE** aparelho não se destina a ser usado por pessoas (incluindo crianças) com capacidades físicas, sensoriais ou mentais reduzidas, ou por pessoas sem experiência e conhecimentos, exceto se forem supervisionadas ou tenham sido instruídas relativamente à utilização do aparelho por alguém responsável pela sua segurança.) As crianças devem ser vigiadas para garantir que não brincam com o aparelho.

**SE** o cabo de alimentação estiver danificado, deve ser substituído pelo fabricante, pelo seu agente de assistência técnica ou por um profissional igualmente qualificado, para evitar qualquer perigo.

**NÃO** guarde substâncias explosivas, tais como latas de aerossol com propulsor inflamável, neste aparelho.

**ESTE** aparelho deve ser desligado da corrente após a utilização e antes de realizar a sua manutenção.

**AVISO:** Deve manter as aberturas de ventilação, na caixa do aparelho ou na estrutura encastrada, devidamente desobstruídas.

**AVISO:** Não utilizar dispositivos mecânicos nem outros meios para acelerar o processo de descongelação, a não ser os recomendados pelo fabricante.

**AVISO:** Não danificar o circuito de refrigeração.

**AVISO:** Não utilizar aparelhos elétricos no interior dos compartimentos de conservação de alimentos, a não ser os dos tipos recomendados pelo fabricante.

**AVISO:** Eliminar o frigorífico de acordo com os regulamentos locais, uma vez que este usa gás de exaustão e refrigerante inflamáveis.

**AVISO:** Ao posicionar o aparelho, assegurar que o cabo de alimentação não está preso ou danificado.

**AVISO:** Não colocar extensões múltiplas portáteis ou fontes de alimentação portáteis atrás do aparelho.

**NÃO** utilize cabos de extensão ou adaptadores (dois pinos) que não estejam ligados à terra.

**PERIGO:** Risco de aprisionamento de crianças. Antes de eliminar o seu frigorífico ou congelador usados:

– Retirar as portas.

– Deixar as prateleiras na posição, para impedir que as crianças subam facilmente para o interior do mesmo.

**O** frigorífico deve estar desligado da fonte de alimentação elétrica antes de tentar instalar acessórios.





**O REFRIGERANTE** e material de espuma ciclopentano usados para o eletrodoméstico são inflamáveis. Portanto, quando o aparelho é eliminado, deve ser mantido afastado de qualquer fonte de fogo e ser recuperado por uma empresa de recuperação especial com qualificação correspondente que não seja ser eliminado por combustão, de modo a evitar danos para o ambiente ou qualquer outro dano.



**AS CRIANÇAS** devem ser vigiadas para garantir que não brincam com o aparelho.




**PARA** a norma EN: Este aparelho pode ser utilizado por crianças a partir dos 8 anos de idade e por pessoas com capacidades físicas, sensoriais ou mentais reduzidas, ou por pessoas sem experiência e conhecimentos, desde que sejam supervisionadas ou tenham sido instruídas relativamente à utilização do aparelho de forma segura e compreendam os riscos envolvidos. As crianças não devem brincar com o aparelho. A limpeza e a manutenção não devem ser realizadas por crianças sem supervisão. As crianças entre os 3 e os 8 anos de idade estão autorizadas a carregar e descarregar aparelhos de refrigeração.

**Para** evitar a contaminação dos alimentos, deve respeitar as seguintes instruções:

- A abertura da porta por longos períodos pode causar um aumento significativo da temperatura nos compartimentos do aparelho.
- Limpar regularmente as superfícies que entram em contacto com alimentos e os sistemas de drenagem acessíveis.
- Limpar os reservatórios de água, caso não tenham sido usados durante 48 h; faça a descarga do sistema de água ligado ao sistema de abastecimento de água, se não tiver sido esvaziada a água há 5 dias. (nota 1)
- Guardar carne e peixe cru em recipientes adequados no frigorífico para não pingarem nem entrem em contacto com outros alimentos.
- Os compartimentos de alimentos congelados de duas estrelas  são adequados para conservar alimentos pré-congelados, conservar ou fazer gelados e fazer cubos de gelo. (nota 2)
- Os compartimentos de uma  -, duas  -e três estrelas  não são adequados para congelar alimentos frescos. (nota 3)
- Se o frigorífico estiver vazio durante longos períodos, deve desligar, descongelar, limpar, secar o mesmo e deixar a porta aberta para evitar o aparecimento de bolor no interior do aparelho. Notas 1, 2, 3: Confirmar se é aplicável de acordo com o tipo de compartimento do produto.

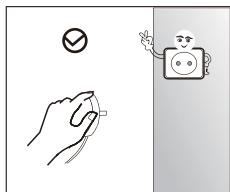
**Qualquer** substituição ou manutenção das lâmpadas LED deve ser feita pelo fabricante, seu agente de serviço ou pessoa similar qualificada.

## 1.2 Significado dos símbolos de aviso de segurança

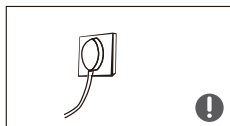
 Símbolo de proibição	Isto é um símbolo de proibição. O não cumprimento das instruções marcadas com este símbolo pode resultar em danos ao produto e pôr em perigo a segurança pessoal do utilizador.
 Símbolo de aviso	Isto é um símbolo de aviso. É necessário cumprir rigorosamente as instruções marcadas com este símbolo; caso contrário, poderá danificar o produto ou causar danos pessoais.
 Símbolo de atenção	Isto é um símbolo de prudência. As instruções marcadas com este símbolo requerem especial cuidado. Não ter cuidado suficiente pode resultar em lesões ligeiras ou danos no produto.

Este manual contém uma grande quantidade de informação de segurança que deve ser considerada pelos utilizadores.

## 1.3 Avisos relacionados com a eletricidade



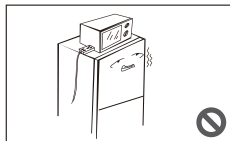
- Não puxe pelo cabo de alimentação ao desligar o frigorífico da tomada. Segurar a ficha com firmeza e retirar a mesma diretamente da tomada.
- Para garantir a utilização segura, não danifique o cabo de alimentação nem utilize o cabo de alimentação quando este estiver danificado ou desgastado.



- Utilize uma tomada elétrica dedicada, esta não deve ser partilhada com outros eletrodomésticos. A ficha deve estar firmemente ligada à tomada, caso contrário, pode provocar um incêndio.
- Assegurar que o eletrodo de ligação à terra da tomada elétrica está equipado com uma linha de ligação à terra fiável.

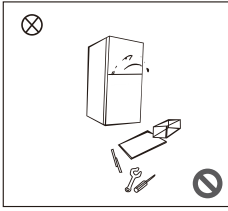


- No caso de fugas de gás e de outros gases inflamáveis, desligar a válvula do gás que está com fuga e, em seguida, abrir as portas e as janelas. Não desligue o frigorífico e outros eletrodomésticos da tomada, considerando que uma faísca pode provocar um incêndio.

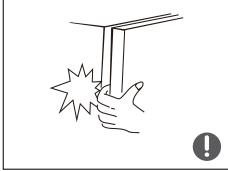


- Não utilize aparelhos elétricos em cima do aparelho, a menos que sejam de um tipo recomendado pelo fabricante.

## 1.4 Avisos relativos à utilização



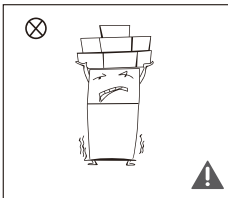
- Não desmonte ou reconstrua arbitrariamente o frigorífico, nem danifique o circuito de refrigeração; a manutenção do aparelho deve ser realizada por um especialista.
- O cabo de alimentação danificado deve ser substituído pelo fabricante, pelo respetivo departamento de manutenção ou por profissionais do setor, a fim de evitar perigos.



- Os espaços entre as portas de frigorífico e entre as portas e o corpo do frigorífico são pequenos, não ponha as mãos nestas áreas para evitar entalar os dedos. Tenha cuidado quando fecha a porta do frigorífico para evitar a queda de artigos.
- Não mexa em alimentos ou recipientes com as mãos molhadas na câmara de congelamento quando o frigorífico está a funcionar, especialmente recipientes metálicos, a fim de evitar queimaduras provocadas pelo gelo.

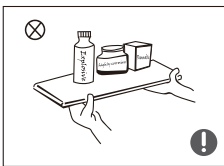


- Não permita que nenhuma criança entre ou suba para o frigorífico, caso contrário, a criança pode asfixiar ou cair e ferir-se.

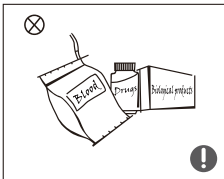


- Não coloque objetos pesados em cima do frigorífico, considerando que estes podem cair quando fecha ou abre a porta e causar lesões acidentais.
- Retirar a ficha da tomada no caso de falha de energia ou para limpeza. Não ligue o frigorífico à corrente durante cinco minutos para evitar danos no compressor devido a arranques sucessivos.

## 1.5 Avisos relativos ao posicionamento



- Não coloque produtos inflamáveis, explosivos, voláteis e altamente corrosivos no frigorífico para evitar danos ou acidentes com fogo.
- Não coloque produtos inflamáveis perto do frigorífico para evitar incêndios.



- O frigorífico é destinado para uma utilização doméstica, como armazenamento de alimentos; não deve ser utilizado para outros fins, tais como armazenamento de sangue, medicamentos, produtos biológicos, etc.



- Não coloque cerveja, bebidas ou outros líquidos em garrafas ou recipientes fechados na câmara de congelamento, caso contrário, as garrafas ou os recipientes fechados podem rachar devido ao congelamento e provocar danos.

## 1.6 Avisos relativos à energia

Aviso relativo à energia

- 1) Os aparelhos de refrigeração podem não funcionar de forma consistente (possibilidade de descongelamento do conteúdo ou de a temperatura se tornar demasiado quente no compartimento dos alimentos congelados) quando instalados durante um longo período abaixo da extremidade fria do intervalo de temperaturas para o qual o aparelho de refrigeração foi concebido.
- 2) O facto de as bebidas efervescentes não deverem ser colocadas nos compartimentos ou armários do congelador ou nos compartimentos ou armários a baixa temperatura, e de alguns produtos, tais como gelados, de modo a não serem consumidos demasiado frios;
- 3) A necessidade de não ultrapassar o(s) prazo(s) de conservação recomendados pelos produtores de qualquer tipo de alimentos, e particularmente de alimentos comercialmente ultracongelados nos compartimentos ou armários de armazenamento de alimentos congelados e no congelador;
- 4) As precauções necessárias para evitar uma subida excessiva da temperatura dos alimentos congelados durante o processo de descongelação do frigorífico, como embrulhar os alimentos congelados em várias camadas de papel de jornal.
- 5) O facto de que uma subida da temperatura dos alimentos congelados durante a descongelação manual, a manutenção ou a limpeza pode encurtar o prazo de conservação.
- 6) A necessidade de, para as portas ou tampas equipadas com fechaduras e chaves, as chaves serem mantidas fora do alcance das crianças e não nas proximidades do frigorífico, a fim de evitar que as crianças fiquem trancadas no seu interior.

## 1.7 Advertência para eliminação

O refrigerante e o material da espuma de ciclopentano usados no frigorífico são inflamáveis. Assim, quando o frigorífico for desmontado, deve ser mantido afastado de qualquer fonte de incêndio e ser recolhido por uma empresa de recolha especial, com a correspondente qualificação, que não a de eliminação por combustão, a fim de evitar danos para o meio ambiente ou quaisquer outros danos.



Quando se desfizer do frigorífico, desmonte as portas e remova a junta da porta e as prateleiras; coloque as portas e as prateleiras num local apropriado, de modo a evitar que crianças fiquem presas.

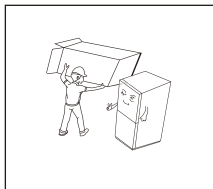


Eliminação correta deste produto:

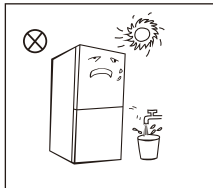
Esta marcação indica que este produto não deve ser eliminado com outros resíduos domésticos. Para evitar possíveis danos no meio ambiente ou à saúde humana devido à eliminação não controlada de resíduos, deve reciclar o mesmo responsabilmente para promover a reutilização sustentável dos recursos materiais. Para devolver o seu aparelho usado, utilizar os sistemas de recolha e devolução ou contactar o revendedor onde o produto foi adquirido. Estas entidades podem aceitar este produto para realizar a sua reciclagem ambientalmente segura.

## 2 Utilização correta de frigoríficos

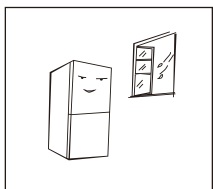
### 2.1 Posicionamento



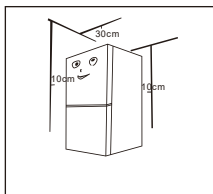
- Antes da utilização, remova todos os materiais de embalagem, incluindo as almofadas do fundo, as espumas e as fitas no interior do frigorífico; rasgue a película de proteção das portas e do corpo do frigorífico.



- Manter o aparelho afastado do calor e da luz solar direta. Não colocar o congelador em locais húmidos ou com água para evitar o enferrujamento ou a redução do efeito de isolamento.
- Não pulverize nem molhe o frigorífico, não coloque o frigorífico em locais húmidos, onde possa ser salpicado com água, de modo a não afetar as propriedades do isolamento elétrico do frigorífico.



- O frigorífico deve ser colocado num local interior bem ventilado, o piso deve ser plano e resistente (rode a roda para a esquerda ou para a direita para nivelar, se instável).



- O espaço do topo do frigorífico deve ser superior a 30 cm e o frigorífico deve ser colocado contra uma parede, com uma distância livre de mais de 10 cm para facilitar a dissipação do calor.

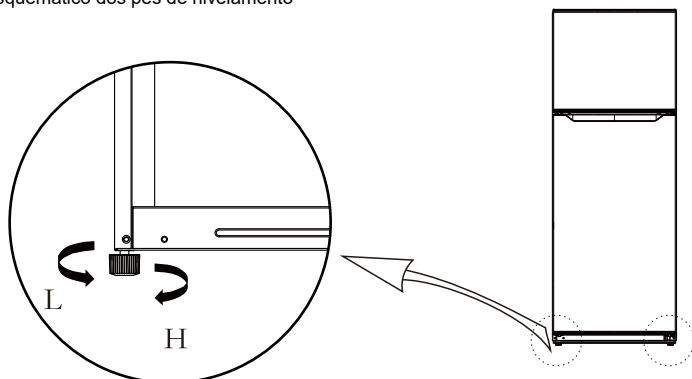
#### ! Precauções antes da instalação:

Antes da instalação ou do ajuste de acessórios, deve assegurar-se de que o frigorífico está desligado da corrente.

Devem ser tomadas precauções para evitar que a queda da pega cause danos pessoais.

## 2.2 Pés de nivelamento

Diagrama esquemático dos pés de nivelamento







(A imagem acima é apenas para referência. A configuração real dependerá do produto físico ou da declaração do distribuidor.)

Procedimentos de ajuste:

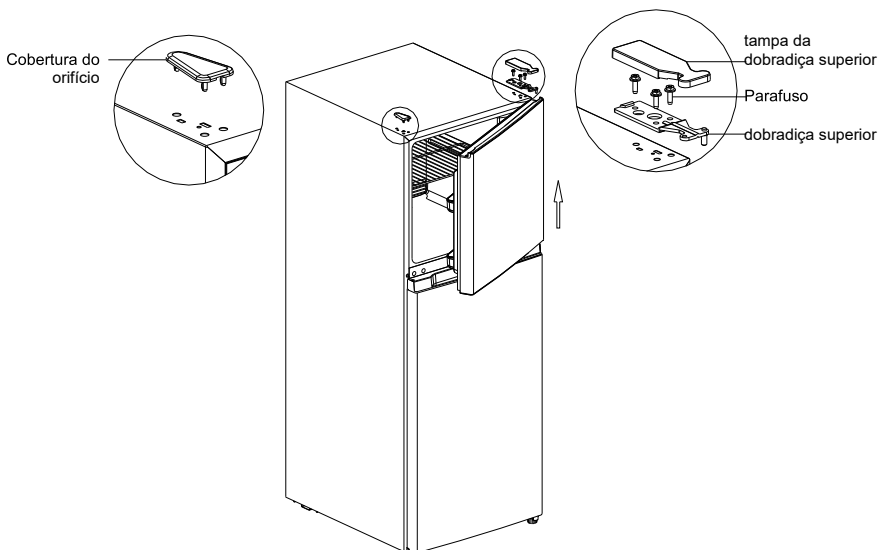
- Rode os pés no sentido dos ponteiros do relógio para elevar o frigorífico;
- Rode os pés no sentido contrário ao dos ponteiros do relógio para baixar o frigorífico;
- Ajuste os pés direitos e esquerdos com base nos procedimentos acima para nivelar horizontalmente.

## 2.3 Alteração de porta direita-esquerda

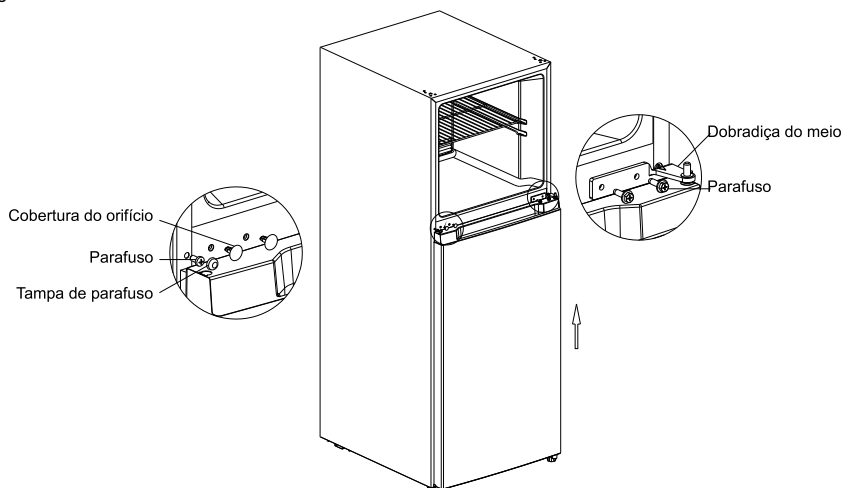
Lista de ferramentas a serem providenciadas pelo utilizador			
	Chave de fendas de estrela		Espátula Chave de fendas fina
	5/16 pol. chave de catraca		Fita adesiva

Peças a serem utilizadas para a inversão de portas			
SN	peças	Quantidade	Notas
1	Dobradiça superior direita	1	Pré-instalado no frigorífico e para ser utilizado quando se muda a porta
2	Cobertura da dobradiça superior direita	1	Pré-instalado no frigorífico e para ser utilizado quando se muda a porta
3	Manga de eixo da dobradiça superior	1	Pré-instalado no frigorífico e para ser utilizado quando se muda a porta
4	Parafuso da dobradiça superior	3	Pré-instalado no frigorífico e para ser utilizado quando se muda a porta
5	Cobertura do orifício	1	Pré-instalado no frigorífico e para ser utilizado quando se muda a porta
6	Parafuso da dobradiça central	2	Pré-instalado no frigorífico e para ser utilizado quando se muda a porta
7	Dobradiça do meio	1	Pré-instalado no frigorífico e para ser utilizado quando se muda a porta
8	Tampão de orifício	2	Pré-instalado no frigorífico e para ser utilizado quando se muda a porta
9	Parafuso da barra central	1	Pré-instalado no frigorífico e para ser utilizado quando se muda a porta
10	Cobertura do parafuso da barra central	1	Pré-instalado no frigorífico e para ser utilizado quando se muda a porta
11	Pé ajustável	1	Pré-instalado no frigorífico e para ser utilizado quando se muda a porta
12	Parafuso da dobradiça inferior	3	Pré-instalado no frigorífico e para ser utilizado quando se muda a porta
13	Conjunto da dobradiça inferior	1	Pré-instalado no frigorífico e para ser utilizado quando se muda a porta
14	Parafuso de tampa inferior da porta do congelador	1	Pré-instalado no frigorífico e para ser utilizado quando se muda a porta
15	Tampa da extremidade inferior do bloco limitador do congelador	1	Pré-instalado no frigorífico e para ser utilizado quando se muda a porta
16	Parafuso de tampa inferior da porta do frigorífico	1	Pré-instalado no frigorífico e para ser utilizado quando se muda a porta
17	Bloco de limitação da proteção da margem inferior da porta do frigorífico	1	Pré-instalado no frigorífico e para ser utilizado quando se muda a porta
18	Manga de eixo da cobertura da margem superior da porta do frigorífico	1	Pré-instalado no frigorífico e para ser utilizado quando se muda a porta

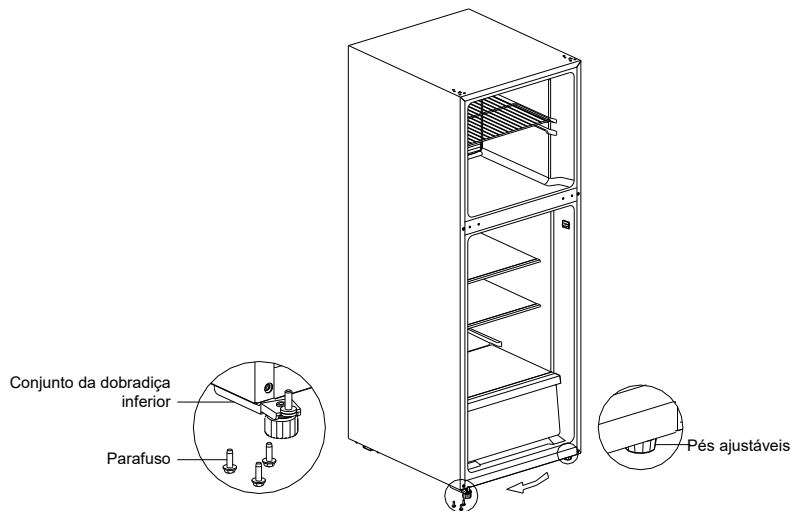
- 1) Desligue este aparelho da corrente antes de realizar esta operação. Retire todos os alimentos das prateleiras da porta.
- 2) Remova a tampa do orifício, a cobertura da dobradiça superior, os parafusos de instalação da dobradiça superior, a dobradiça superior e o tubo da manga e, em seguida, levante a porta do congelador até estar totalmente separada do gabinete.



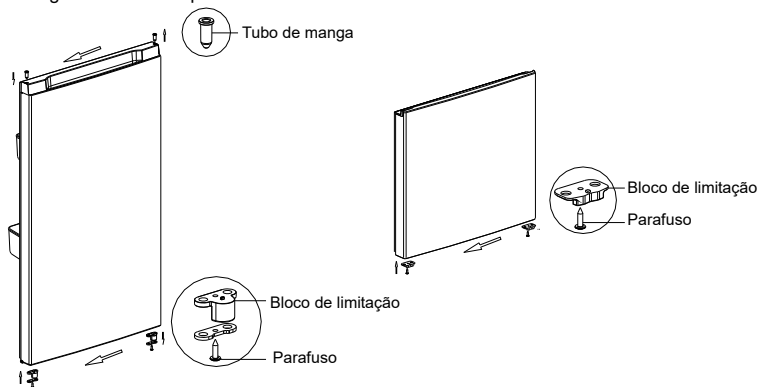
- 3) Desaperte os parafusos da dobradiça do meio, remova a dobradiça do meio e remova as tampas dos dois orifícios, um parafuso, a tampa do parafuso da dobradiça do meio e, em seguida, remova a porta do frigorífico.



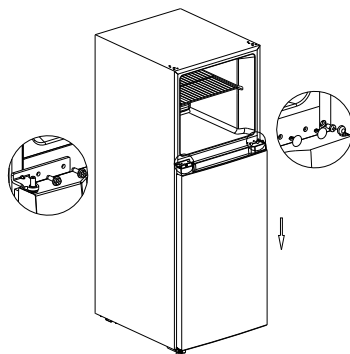
4) Remova os pés ajustáveis, o parafuso da dobradiça inferior e o conjunto da dobradiça inferior. Depois, instale o conjunto da dobradiça inferior do outro lado da caixa e instale os pés ajustáveis no lado da abertura dos pés ajustáveis.



5) Desmonte os blocos de limitação e os parafusos da cobertura inferior da porta do frigorífico e da porta do congelador e instale-os do lado oposto de ambas as portas. Em seguida, instale o tubo da manga na cobertura superior da porta do frigorífico do lado oposto.

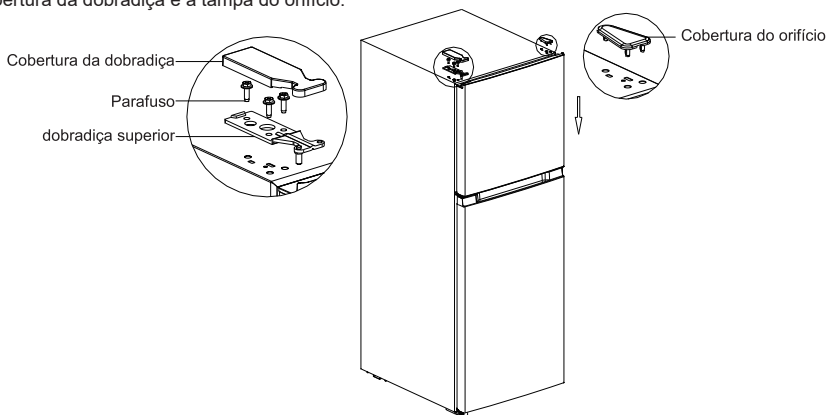


6) Instale a porta do frigorífico na dobradiça inferior e, em seguida, instale a dobradiça do meio e as tampas do orifício.





7) Instale a porta do congelador na dobradiça do meio e, em seguida, instale a dobradiça superior, a cobertura da dobradiça e a tampa do orifício.

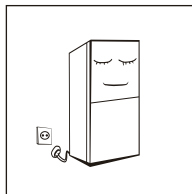


(A imagem acima é apenas para referência. A configuração real dependerá do produto físico ou da declaração do distribuidor.)

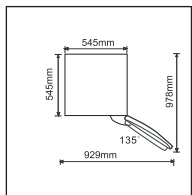
## 2.4 Mudar a lâmpada

A substituição ou a manutenção das lâmpadas LED destinam-se a ser realizadas pelo fabricante, o seu agente de assistência técnica ou um profissional igualmente qualificado.

## 2.5 Início



- Antes do arranque inicial, mantenha o frigorífico imobilizado durante duas horas antes de ligá-lo à corrente.
- Antes de colocar alimentos frescos ou congelados, o frigorífico deve funcionar vazio durante 2-3 horas, ou mais de 4 horas no verão, quando a temperatura ambiente é mais alta.



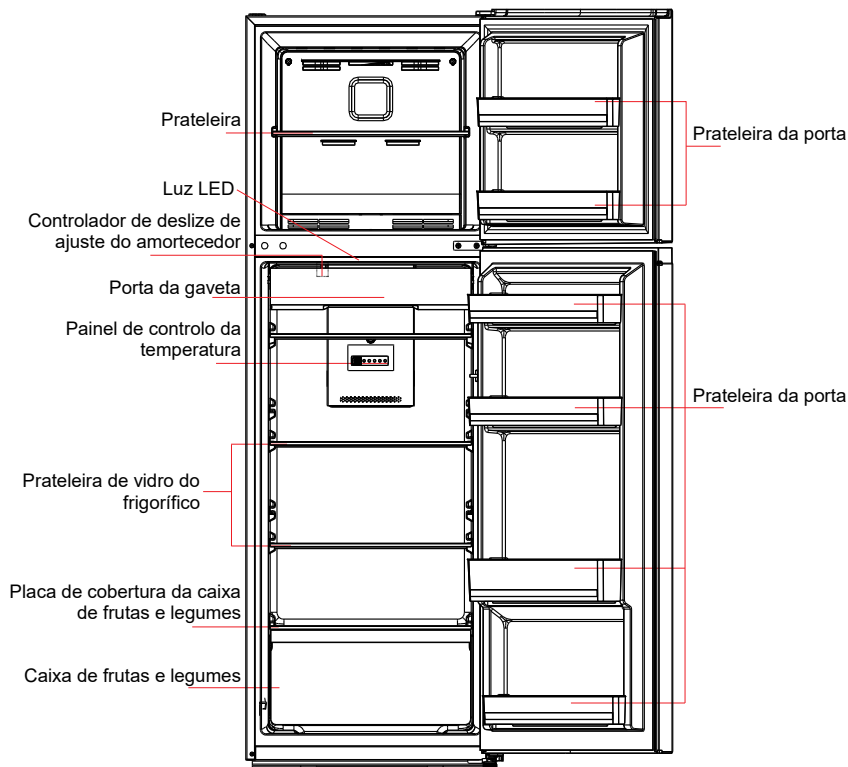
- Reserve espaço suficiente para a abertura conveniente das portas e das gavetas, ou de acordo com a declaração do distribuidor.

## 2.6 Dicas de poupança de energia

- O aparelho deve ser colocado na área mais fresca da divisão, longe de aparelhos que produzam calor, de condutas de aquecimento e da luz solar direta.
- Deixar os alimentos quentes arrefecerem à temperatura ambiente antes de os colocar no aparelho. Sobrecarregar o aparelho força o compressor a trabalhar durante mais tempo. Os alimentos que congelam muito lentamente podem perder qualidade ou estragar-se.
- Assegurara que embrulha devidamente os alimentos e que seca os recipientes antes de os colocar no aparelho. Isto reduz a acumulação de gelo no interior do aparelho.
- O recipiente de armazenamento não deve ser forrado com folha de alumínio, papel de cera ou papel de cozinha. Os revestimentos interferem com a circulação do ar, tornando o aparelho menos eficiente.
- Organizar e rotular os alimentos para reduzir as aberturas da porta e as procuras prolongadas. Retirar o maior número de artigos de uma só vez e fechar a porta o mais rápido possível.

## 3 Estrutura e funções

### 3.1 Componentes principais



(A imagem acima é apenas para referência. A configuração real dependerá do produto físico ou da declaração do distribuidor.)

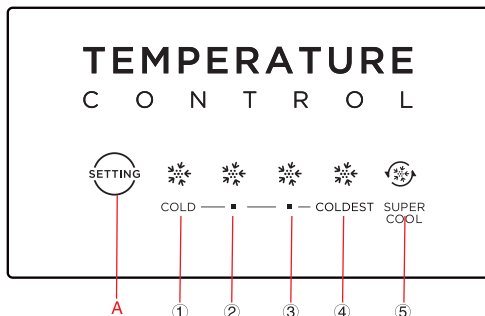
#### **Câmara de refrigeração**

- A Câmara de Refrigeração é adequada para o armazenamento de uma variedade de frutas, legumes, bebidas e outros alimentos consumidos a curto prazo.
- Os alimentos cozinhados não devem ser colocados na câmara de refrigeração até estarem à temperatura ambiente.
- É recomendado selar os alimentos antes de colocá-los no frigorífico.
- As prateleiras de vidro podem ser ajustadas para cima ou para baixo para ter uma quantidade razoável de espaço de armazenamento e facilitar a utilização.

#### **Câmara de congelamento**

- A baixa temperatura da câmara de congelamento pode manter os alimentos frescos por mais tempo e é utilizada principalmente para armazenar alimentos congelados e fazer gelo.
- A câmara de congelamento é adequada para o armazenamento de carne, peixe, bolas de arroz e outros alimentos que não serão consumidos a curto prazo.
- Pedacos de carne, preferencialmente devem ser divididos em pequenos pedacos para congelamento rápido e acesso fácil. Ter em atenção que os alimentos devem ser consumidos dentro da validade.

## 3.2 Funções



Notas:

(A imagem acima é apenas para referência. A configuração real dependerá do produto físico ou da declaração do distribuidor.)

1) Botão de definição

A: Botão de definição

2) Visor

LED: Posição ① (FRIO)

LED: Posição ②

LED: Posição ③

LED: Posição ④ (MAIS FRIO)

LED: Posição ⑤ (SUPER FRIO)

3) Visor

Quando o frigorífico é ligado, o ecrã de apresentação acende todos os LED durante 3 segundos, sendo a temperatura predefinida MÉDIA (posição ③).

Quando ocorre uma falha, a luz LED apresenta o código de erro (apresentação em circuito), a luz LED apresenta consoante a seguinte tabela:

Código de erro	Descrição do erro
LED ⑤, ④ intermitente	Anomalia do sensor de temperatura da câmara de refrigeração
LED ⑤, ③ intermitente	Falha do sensor de temperatura de descongelação ou da câmara de congelação
LED ⑤, ② intermitente	Falha no sensor de temperatura ambiente

4) Definição do nível

Sempre que premir um botão de definição, a posição muda uma vez. Depois de definir a posição 15s, o frigorífico funcionará de acordo com o valor definido.

Ajuste da posição para:



5) Função de Memória

O frigorífico consegue manter uma memória dos estados de funcionamento durante um corte de energia.

6) Controlador de deslize de ajuste do amortecedor



A posição inicial do controlador de deslize de ajuste do amortecedor é no lado extremo direito. Para uma melhor experiência do utilizador, é recomendado empurrar o controlador de deslize para a posição correta e rodar o BOTÃO DE DEFINIÇÃO para a posição MID. Se não estiver suficientemente frio no compartimento de refrigeração, verifique se o controlador de deslize se encontra na posição esquerda e coloque-o do lado direito.

## 4 Manutenção e cuidados com o frigorífico

### 4.1 Limpeza geral

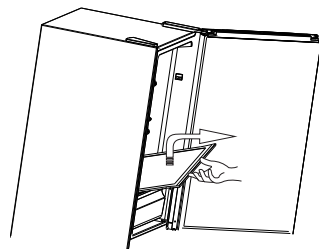
- O pó e poeira atrás do frigorífico e no chão devem ser limpos para melhorar o efeito de arrefecimento e poupar energia.
- Verificar o vedante da porta regularmente para se certificar que não tem detritos. Limpar o vedante da porta com um pano humedecido com água com sabão ou detergente diluído.
- O interior do frigorífico deve ser limpo regularmente para evitar odores.
- Desligue da corrente antes de limpar o interior, retirar todos os alimentos, bebidas, prateleiras, gavetas, etc.
- Utilize um pano macio ou uma esponja para limpar o interior do frigorífico, com duas colheres de sopa de bicarbonato de sódio num litro de água morna. Em seguida, enxaguar com a água e limpar. Depois de limpar, abrir a porta e deixar secar naturalmente antes de ligar a alimentação.
- Para as áreas difíceis de limpar no frigorífico (tais como espaços ou cantos estreitos), é recomendado esfregá-las regularmente com um pano macio, uma escova macia, etc. e, quando necessário, combinar com ferramentas auxiliares (como palitos finos) para garantir que não há acumulação de contaminantes ou bactérias nestas áreas.
- Não utilize sabão, detergente, pó para esfregar, detergente em spray, etc., pois estes podem causar odores no interior do frigorífico ou a contaminação de alimentos.
- Limpe o suporte de garrafas, as prateleiras e as gavetas com um pano humedecido com água com sabão ou detergente diluído. Secar com um pano macio ou deixar secar naturalmente.
- Limpe a superfície exterior do frigorífico com um pano humedecido com água com sabão, detergente, etc. e, em seguida, seque.
- Não utilize escovas duras, palha de aço, escovas de arame, produtos abrasivos (tais como pasta de dentes), solventes orgânicos (tais como álcool, acetona, óleo de banana, etc.), água a ferver ou produtos ácidos ou alcalinos, que possam danificar a superfície e o interior do frigorífico. Água a ferver e solventes orgânicos, como benzeno, podem deformar ou danificar as peças plásticas.
- Não passar diretamente por água ou outros líquidos durante a limpeza para evitar curto-circuitos ou afetar o isolamento elétrico depois da imersão.



Desligue o frigorífico da tomada para o descongelar e limpar.

### 4.2 Limpar a prateleira de vidro

- Levantar a frente da prateleira de vidro e, em seguida, puxá-la para fora;
- Retire a prateleira de vidro e limpe, conforme necessário;
- Realize a operação inversa para instalar a prateleira de vidro.



### 4.3 Descongelar

- O frigorífico é fabricado com base no princípio de arrefecimento do ar e, como tal, tem uma função de descongelamento automático. O gelo formado devido a mudança de estação ou temperatura também pode ser removido manualmente, desligando o aparelho da corrente ou esfregando com uma toalha seca.

### 4.4 Fora de serviço

- Falha de energia: Em caso de falha de energia, mesmo no verão, os alimentos dentro do aparelho podem ser mantidos por várias horas; durante uma falha de energia, o número de vezes que a porta é aberta deve ser reduzido e não devem ser postos mais alimentos frescos no aparelho.
- Não utilização prolongada: O aparelho deve ser desligado da tomada e depois limpo; em seguida, as portas são deixadas abertas para evitar odores.
- Mover: Antes de o frigorífico ser movido, retire todos os artigos no interior, fixe as divisórias de vidro, o suporte de legumes, as gavetas da câmara de congelamento, etc. com fita adesiva, aperte os pés de nivelamento, feche as portas e fixe-as com fita adesiva. Ao mover, o aparelho não deve ser virado ao contrário, deitado horizontalmente ou sofrer vibrações; a inclinação durante o deslocamento não deve ser superior a 45°.



O aparelho deve funcionar ininterruptamente uma vez iniciado. Regra geral, a operação do aparelho não deve ser interrompida, caso contrário, a sua vida útil pode ser prejudicada.

## 5 Resolução de problemas

Pode tentar resolver problemas simples, como os seguintes, por si mesmo. Se não puderem ser resolvidos, entre em contacto com o departamento de pós-venda.

Falha de funcionamento	Verifique se o aparelho está ligado à corrente ou se a ficha está bem ligada. Verifique se a tensão é demasiado baixa. Verifique se há uma falha de energia ou se alguns circuitos dispararam.
Odores	Os alimentos com odor devem ser bem embrulhados. Verifique se há comida estragada. Limpe o interior do frigorífico.
Funcionamento prolongado do compressor	O funcionamento prolongado do compressor é normal no verão quando a temperatura ambiente é alta. Não é recomendado ter demasiados alimentos no aparelho ao mesmo tempo. Os alimentos devem arrefecer antes de serem colocados no aparelho. As portas são abertas com demasiada frequência.
A luz não acende	Verifique se o frigorífico está ligado à corrente e se a luz de iluminação está danificada.
As portas não fecham corretamente	A porta está obstruída por embalagens de alimentos. O frigorífico está inclinado.
Ruído alto	Verifique se o piso está nivelado e se o frigorífico está colocado de forma estável. Verifique se os acessórios estão colocados nos locais apropriados.
A junta de vedação da porta não está a vedar	Remova matérias estranhas do vedante da porta. Aqueça a vedação da porta e depois arrefeça-a para restauração (utilize um secador elétrico ou utilize uma toalha quente para aquecimento).
O depósito de água transborda	Há demasiados alimentos na câmara ou os alimentos armazenados contêm muita água, resultando num descongelamento profuso. As portas não estão bem fechadas, resultando em gelo, devido à entrada de ar e ao aumento de água derivado do descongelamento.
Gabinete quente	A dissipação de calor do condensador integrado através da caixa é normal. Quando a caixa aquece devido à temperatura ambiente elevada e ao armazenamento de demasiados alimentos, é recomendado proporcionar uma boa ventilação para facilitar a dissipação do calor.
Condensação na superfície	A condensação na superfície exterior e nos vedantes das portas do frigorífico é normal quando a humidade ambiente é demasiado elevada. Simplesmente limpe a condensação com uma toalha limpa.
Ruído anormal	Zumbido: O compressor pode produzir ruídos durante o funcionamento e os ruídos são altos, principalmente no arranque ou paragem. Isto é normal. Crepitação: O refrigerante a circular dentro do aparelho pode crepitar, o que é normal.

**Tabela 1 Classes climáticas**

<b>Classe</b>	<b>Símbolo</b>	<b>Limite de temperatura ambiente °C</b>
Temperatura alargada	SN	+10 a +32
Temperado	N	+16 a +32
Subtropical	ST	+16 a +38
Tropical	T	+16 a +43

# CONTENIDOS

1 Advertencias de seguridad .....	1
1.1 Advertencia.....	1
1.2 Significado de los símbolos de advertencia de seguridad.....	3
1.3 Advertencias relacionadas con la electricidad.....	3
1.4 Advertencias de uso .....	4
1.5 Advertencias de colocación .....	4
1.6 Advertencias de energía.....	5
1.7 Advertencias sobre su eliminación.....	5
2 Uso adecuado del frigorífico .....	6
2.1 Colocación.....	6
2.2 Nivelación de los pies .....	7
2.3 Cambio de puerta derecha - izquierda .....	7
2.4 Cambio de luz.....	10
2.5 Inicio .....	10
2.6 Consejos de ahorro de energía.....	10
3 Estructura y funciones .....	11
3.1 Componentes clave .....	11
3.2 Funciones .....	12
4 Mantenimiento y cuidado del frigorífico .....	13
4.1 Limpieza general .....	13
4.2 Limpieza de la estantería de cristal.....	13
4.3 Descongelación .....	14
4.4 Sin funcionamiento .....	14
5 Problemas y soluciones.....	15



# 1 Advertencias de seguridad

## 1.1 Advertencia



**Advertencia:** riesgo de incendio / materiales inflamables

**ESTE** aparato está diseñado para usarse en aplicaciones domésticas y similares como áreas con personal de cocina, oficinas y otros entornos laborales, casas de labranza y por clientes de hoteles, moteles y otros entornos de tipo residencial, entornos de hostales, catering y aplicaciones similares no al por menor.

**ESTE** aparato no está diseñado para que lo usen personas (incluido niños) con capacidades físicas, sensoriales o mentales reducidas, o falta de experiencia y conocimientos salvo que se les haya dado supervisión o instrucción respecto al uso del aparato por parte de la persona responsable de su seguridad.) Se debe supervisar a los niños para asegurarse de que no juegan con el aparato.

**EN** caso de que se dañe el cable de alimentación, el fabricante, su agente de servicio o personas con una cualificación similar deben sustituirlo para evitar cualquier riesgo.

**NO** guarde sustancias explosivas como latas de aerosoles con propulsores inflamables en este aparato.

**SE** debe desenchufar el aparato tras su uso y antes de realizar el mantenimiento del usuario del aparato.

**ADVERTENCIA:** Mantenga las ranuras de ventilación, en la carcasa del aparato o en la estructura integrada, libres de cualquier obstrucción.

**ADVERTENCIA:** No use dispositivos mecánicos u otros medios para acelerar el proceso de descongelación, salvo aquellos recomendados por el fabricante.

**ADVERTENCIA:** No dañe el circuito del refrigerante.

**ADVERTENCIA:** No use aparatos eléctricos dentro de los compartimentos de almacenamiento de alimentos del aparato salvo que sean del tipo recomendado por el fabricante.

**ADVERTENCIA:** Abandone el refrigerador conforme a la normativa local respecto al uso de gas soplado inflamable y refrigerante.

**ADVERTENCIA:** Cuando coloque el aparato, asegúrese de que el cable de alimentación no queda atrapado o dañado.

**ADVERTENCIA:** No coloque múltiples salidas de tomas portátiles o alimentaciones portátiles en la parte posterior del aparato.

**NO** use cables de extensión o adaptadores sin toma a tierra (dos patillas).

**PELIGRO:** Riesgo de atrapamiento infantil. Antes de que retire su viejo refrigerador o frigorífico:

- Quite las puertas.
- Deje las baldas en su lugar de forma que no niños no puedan subirse el interior con facilidad.



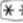

**SE** debe desconectar el refrigerador de la Fuente de alimentación eléctrica antes de intentar la instalación de accesorios.

**EL REFRIGERANTE** y el material de la espuma de ciclopentano usados en el aparato con inflamables. Por lo tanto, cuando se ralla el aparato, se debe mantener alejado de cualquier fuente de calor y lo debe recubrir una empresa especial de recubrimientos con la cualificación correspondiente en ligar de eliminarse por medio de combustión para evitar daños al medioambiente o cualquier otro daño.

**SE** debe supervisar a los niños para asegurarse de que no juegan con el aparato.




**PARA** el estándar EN: Este aparato puede usarse por niños con edades de 8 años y superior y personas con capacidades físicas, mentales o sensoriales reducidas o falta de conocimientos o experiencia si se les ha ofrecido supervisión o instrucción respecto al uso del aparato de forma segura y entienden los riesgos que implica. Los niños no deben jugar con el aparato. La limpieza y el mantenimiento del usuario no deben hacerlo niños sin supervisión. Se permite que los niños con edades entre 3 y 8 años carguen y descarguen los aparatos de refrigeración.

**Para** evitar la contaminación de alimentos, respete las siguientes instrucciones:

- Abrir la puerta durante periodos prolongados de tiempo puede provocar un aumento significativo de la temperatura en los compartimentos del aparato.
- Limpie regularmente las superficies que puedan estar en contacto con los alimentos y sistemas de drenaje accesibles.
- Limpie los depósitos de agua si no se han empleado durante 48 horas; irrigue el sistema de agua conectado a un suministro de agua si no se ha retirado agua durante 5 días. (nota 1)
- Guarde la carne y el pescado crudos en recipientes adecuados en el frigorífico de forma que no entren en contacto o goteen en otros alimentos.
- Los compartimentos  de alimentos congelados de dos estrellas son aptos para guardar alimentos precongelados, guardar o hacer helados y hacer cubitos de hielo. (nota 2)
- Los compartimentos de  -, una  -dos y tres estrellas  no son aptos para congelar alimentos frescos. (nota 3)
- Si el aparato refrigerador se deja vacío durante periodos prolongados de tiempo, apague, descongele, limpie seque y deje la puerta abierta para evitar que se desarrolle moho dentro del aparato. Nota 1, 2, 3: Confirme si es aplicable según el tipo de compartimento del producto.

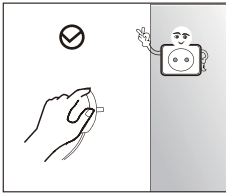
**Cualquier** reemplazo o mantenimiento de las lámparas LED debe ser realizado por el fabricante, su agente de servicio o una persona calificada similar.

## 1.2 Significado de los símbolos de advertencia de seguridad

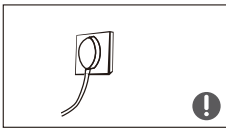
 Símbolo de prohibición	Este es un símbolo de prohibición. Cualquier incumplimiento de las instrucciones marcadas con este símbolo puede provocar daños en el producto o puede poner en peligro la seguridad personal del usuario.
 Símbolo de advertencia	Este es un símbolo de advertencia. Es necesario operarlo cumpliendo estrictamente las instrucciones marcadas con este símbolo; en caso contrario se pueden producir daños en el producto o lesiones personales.
 Símbolo de nota	Este es un símbolo de precaución. Las instrucciones marcadas con este símbolo requieren una precaución especial. Una precaución insuficiente puede provocar una lesión ligera o moderada o daños al producto.

Este manual contiene mucha información de seguridad importante que los usuarios deben cumplir.

## 1.3 Advertencias relacionadas con la electricidad



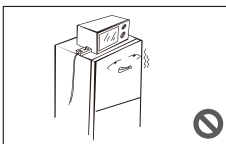
- No tire del cable de alimentación cuando conecte el cable de alimentación del refrigerífico. Agarre con fuerza el enchufe y extráigalo de la toma directamente.
- Para asegurar un uso seguro, no dañe el cable de alimentación o use el mismo cuando presente daños o esté desgastado.



- Use una toma de alimentación dedicada y no debe compartir la toma de corriente con otros aparatos eléctricos. El enchufe debe estar en contacto firme con la toma o de lo contrario se pueden producir incendios.
- Asegúrese de que el electrodo a tierra de la toma de alimentación está equipado con una línea a tierra fiable.

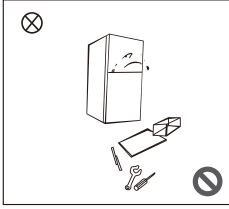


- Apague la válvula del gas que se filtra y después abra las puertas y ventanas en caso de fuga de gas o de otros gases inflamables. No desenchufe el refrigerífico u otros aparatos eléctricos considerando que una chispa puede provocar un incendio.

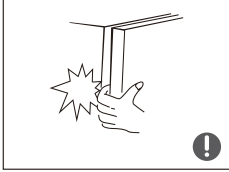


- No use aparatos eléctricos en la parte superior del aparato salvo que sean del tipo recomendado por el fabricante.

## 1.4 Advertencias de uso



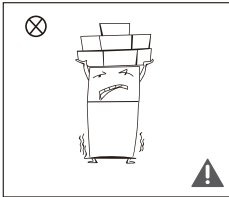
- No desmonte o reconstruya arbitrariamente el frigorífico no dañe el circuito del refrigerante; un especialista debe realizar el mantenimiento del aparato.
- El fabricante, su departamento de mantenimiento o profesionales relacionados deben reemplazar el cable de alimentación dañado para evitar cualquier peligro.



- Los espacios entre las puertas del frigorífico y entre las puertas y la carcasa del frigorífico con pequeños; tenga cuidado en no poner las manos en esta zona para evitar pillarse los dedos. Cierre con suavidad la puerta del frigorífico para evitar que se caigan artículos.
- No coja alimentos o recipientes con las manos húmedas en la cámara de congelación cuando el frigorífico esté en funcionamiento, en especial recipientes metálicos, para evitar congelaciones.

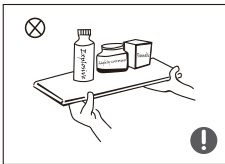


- No permita que ningún niño entre o suba al frigorífico; en caso contrario se pueden provocar un ahogamiento o lesiones por caída del niño.

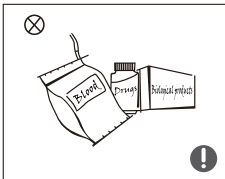


- No coloque objetos pesados en la parte superior del frigorífico considerando que los objetos pueden caerse al cerrar o abrir la puerta y que se podrían provocar lesiones accidentales.
- Extraiga el cable en caso de un fallo de alimentación o limpieza. No conecte el frigorífico a la alimentación en cinco minutos para evitar daños al compresor debido a arranques sucesivos.

## 1.5 Advertencias de colocación



- No coloque artículos inflamables, explosivos, volátiles o altamente corrosivos en el frigorífico para evitar daños al producto o accidentes por fuego.
- No coloque artículos inflamables cerca del frigorífico para evitar incendios.



- El frigorífico está diseñado únicamente para el uso doméstico, como para el almacenamiento de alimentos; no debe usarse para otra finalidad, como el almacenamiento de sangre, fármacos o productos biológicos, etc.



- No guarde cerveza, bebidas u otros fluidos que estén en botellas l en recipientes cerrados en la cámara de congelación del frigorífico; en caso contrario, las botellas o recipientes cerrados podrían rajarse debido a la congelación y provocar daños.

## 1.6 Advertencias de energía

### Advertencia de energía

- 1) Los aparatos de refrigeración puede que no operen de forma consistente (posibilidad de descongelar los contenidos o de que la temperatura sea demasiado cálida en el compartimento de alimentos congelados) cuando se colocan durante un periodo prolongado de tiempo por debajo del extremo frío de la gama de temperaturas para las que está diseñado el aparato de refrigeración.
- 2) El hecho de que las bebidas efervescentes no deban guardarse en los compartimentos para alimentados del congelador o en compartimentos o armarios de baja temperatura y de que algunos productos como los cubitos de hielo no deben consumirse demasiado fríos;
- 3) La necesidad de no superar el tiempo de almacenamiento recomendado por los fabricantes de los alimentos y en especial los alimentos de congelación rápida comercial en congeladores para alimentos y compartimentos de almacenamiento de alimentos congelados o armarios;
- 4) Las precauciones necesarias para prevenir un aumento indebido de la temperatura de los alimentos congelados mientras de descongela el aparato de refrigeración, como envolver los alimentos congelados en varias capas de papel de periódico.
- 5) El hecho de que un aumento en la temperatura de los alimentos congelados durante la descongelación manual, mantenimiento o limpieza puede acortar la vida de almacenamiento.
- 6) Resulta necesario que, para las puertas o tapas instaladas con cierres y llaves, las llaves se mantengan fuera del alcance de los niños y no cerca del frigorífico para evitar que los niños se queden cerrados en su interior.

## 1.7 Advertencias sobre su eliminación

El refrigerante y el material de espuma de ciclopentano usados para el frigorífico son inflamables. Por lo tanto, cuando se deseché el frigorífico, debe mantenerse alejado de cualquier fuente de fuego y ser recuperado por una empresa de recuperación especial con la cualificación correspondiente que no sea su eliminación mediante combustión para evitar daños al medioambiente o cualquier otro daño.



Quando se deseché el frigorífico, desmonte las puertas y retire la junta de las puertas y estanterías; coloque las puertas y estanterías en un lugar adecuado para evitar que cualquier niño quede atrapado por ellas.

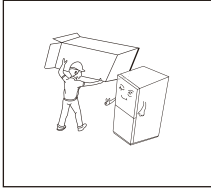


### Eliminación correcta de este producto:

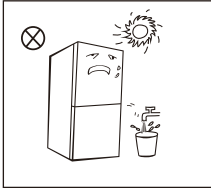
Esta marca indica que este producto no debe eliminarse con otros residuos domésticos. Para evitar posibles daños al medioambiente y a la salud humana procedentes de una eliminación de residuos no controlada, recíclelo de forma responsable para promover la reutilización sostenible de recursos materiales. Para devolver su aparato usado, use los sistemas de devolución y recogida o póngase en contacto con el distribuidor donde adquirió el producto. Ellos pueden realizar un reciclaje medioambiental seguro de este producto.

## 2 Uso adecuado del frigorífico

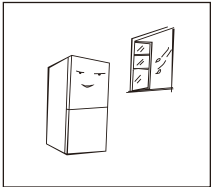
### 2.1 Colocación



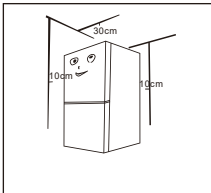
- Antes de su uso, retire todos los materiales del embalaje, incluyendo almohadillados inferiores, almohadillados de espuma y Cintas del interior del frigorífico; retire la película protectora de las puertas y de la carcasa del frigorífico.



- Manténgalo alejado del calor y evite la luz solar directa. No coloque el congelador en espacios húmedos o con agua para prevenir el óxido o la reducción del efecto de aislamiento.
- No pulverice o lave el frigorífico; no coloque el frigorífico en espacios húmedos donde sea fácil salpicarlo con agua para no afectar a las propiedades aislantes eléctricas del frigorífico.



- El frigorífico debe colocarse en un espacio interior bien ventilado; el piso debe ser plano y robusto (gírelo a la izquierda o derecha para ajustar las ruedas para nivelar si es inestable).



- El espacio superior del frigorífico debe ser superior a 30 cm, y el frigorífico debe colocarse contra una pared con una distancia libre de más de 10 cm para facilitar la disipación del calor.

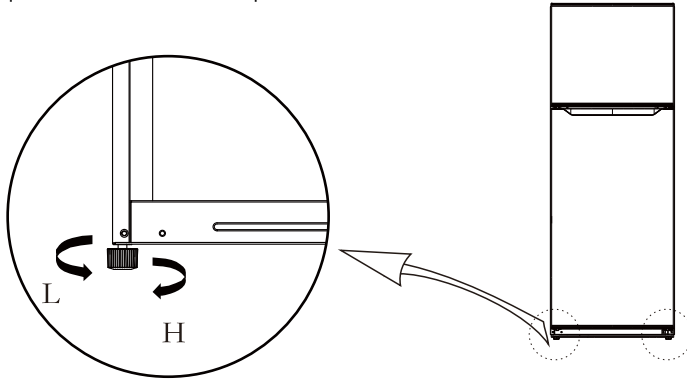
#### ! Precauciones antes de la instalación:

Antes de la instalación o ajuste de los accesorios, debe asegurarse de que el frigorífico está desconectado de la alimentación.

Se deben tomar precauciones para evitar que la caída del asa cause cualquier lesión personal.

## 2.2 Nivelación de los pies

Diagrama esquemático del nivelado de los pies



(La imagen que aparece arriba tiene solo una finalidad de referencia. La configuración real dependerá del producto físico o declaración por parte del distribuidor.)

Procedimientos de ajuste:

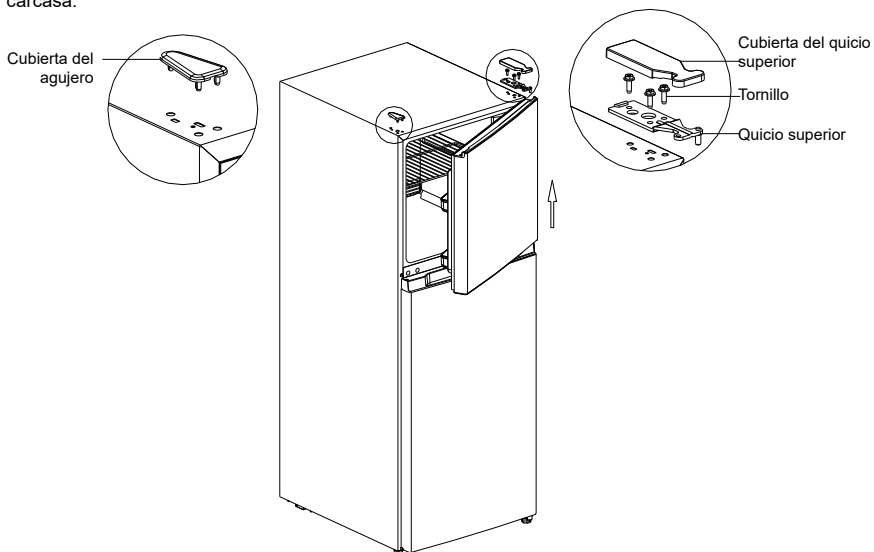
- Gire los pies en sentido horario para subir el frigorífico;
- Gire los pies en sentido antihorario para bajar el frigorífico;
- Ajuste los pies derecho e izquierdo basándose en los procedimientos que aparecen arriba para alcanzar el nivel horizontal.

## 2.3 Cambio de puerta derecha - izquierda

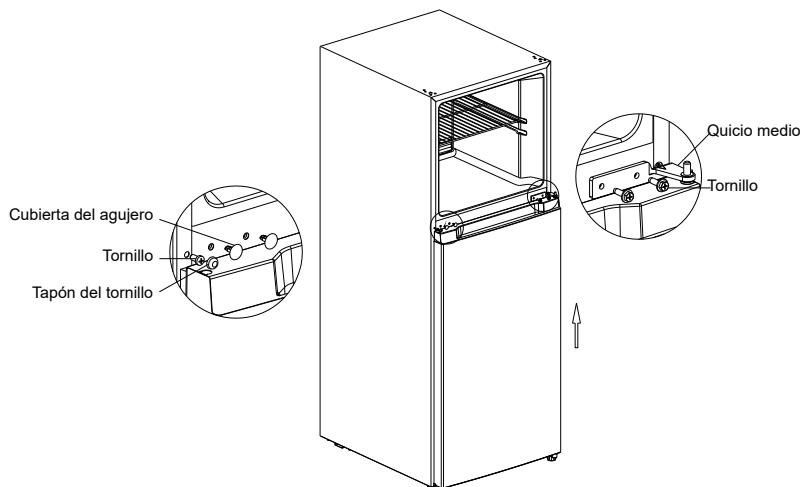
Lista de herramientas que debe proporcionar el usuario			
	Destornillador para cabeza en cruz		Cuchillo de masilla
			Destornillador de cabeza plana
	5/16" toma y trinquete		Cinta de pintor

Piezas a usar para dar la vuelta a la puerta			
SN	piezas	Cantidad	Notas
1	Quicio superior derecho	1	Preinstalado en el frigorífico y debe usarse cuando se cambie la puerta
2	Cubierta del quicio superior derecho	1	Preinstalado en el frigorífico y debe usarse cuando se cambie la puerta
3	Manguito del eje del quicio superior	1	Preinstalado en el frigorífico y debe usarse cuando se cambie la puerta
4	Tornillo del quicio superior	3	Preinstalado en el frigorífico y debe usarse cuando se cambie la puerta
5	Cubierta del agujero	1	Preinstalado en el frigorífico y debe usarse cuando se cambie la puerta
6	Tornillo del quicio medio	2	Preinstalado en el frigorífico y debe usarse cuando se cambie la puerta
7	Quicio medio	1	Preinstalado en el frigorífico y debe usarse cuando se cambie la puerta
8	Tapón del agujero	2	Preinstalado en el frigorífico y debe usarse cuando se cambie la puerta
9	Tornillos de la viga media	1	Preinstalado en el frigorífico y debe usarse cuando se cambie la puerta
10	Tapón del tornillo de la viga media	1	Preinstalado en el frigorífico y debe usarse cuando se cambie la puerta
11	Pie ajustable	1	Preinstalado en el frigorífico y debe usarse cuando se cambie la puerta
12	Tornillo del quicio inferior	3	Preinstalado en el frigorífico y debe usarse cuando se cambie la puerta
13	Conjunto del quicio más bajo	1	Preinstalado en el frigorífico y debe usarse cuando se cambie la puerta
14	Tornillo de la cubierta del extremo inferior de la puerta de congelación	1	Preinstalado en el frigorífico y debe usarse cuando se cambie la puerta
15	Bloque limitador del extremo de la cubierta inferior de la puerta de congelación	1	Preinstalado en el frigorífico y debe usarse cuando se cambie la puerta
16	Tornillo de la cubierta del extremo inferior de la puerta del frigorífico	1	Preinstalado en el frigorífico y debe usarse cuando se cambie la puerta
17	Cubierta del extremo inferior del bloque limitador de la puerta del frigorífico	1	Preinstalado en el frigorífico y debe usarse cuando se cambie la puerta
18	Manguito del eje de la cubierta del extremo superior de la puerta del frigorífico	1	Preinstalado en el frigorífico y debe usarse cuando se cambie la puerta

- 1) Apague este aparato antes de realizar esta operación. Retire todos los alimentos de las baldas de alimentos.
- 2) Retire el tapón del agujero, los tornillos de ajuste del quicio superior, el quicio superior y el tubo del manguito y después levante la puerta del frigorífico hasta que se separe completamente de la carcasa.

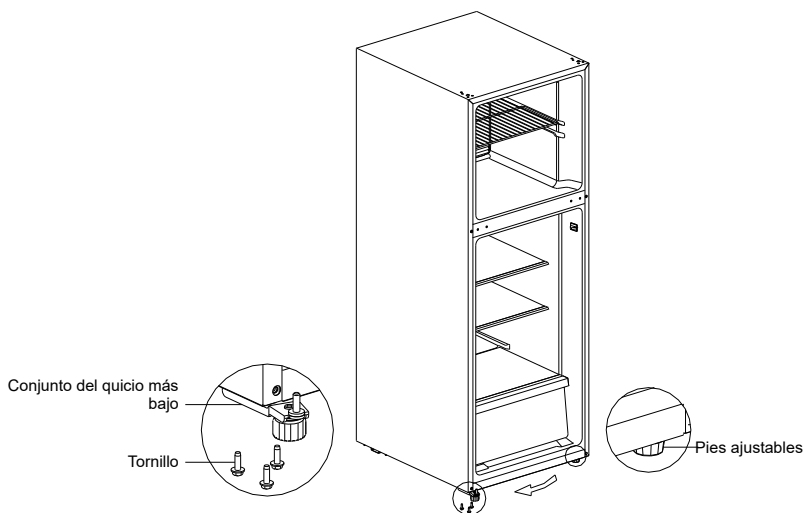


- 3) Desatornille los tornillos del quicio medio, retire el quicio medio y retire el tapón de los dos agujeros, un tapón de tornillo en la viga media y posteriormente retire la puerta del frigorífico.

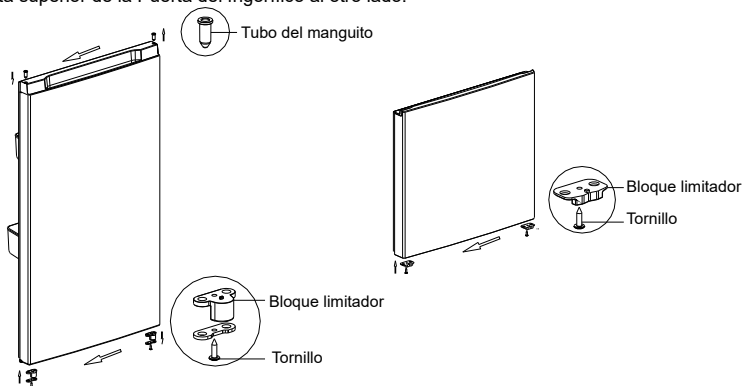




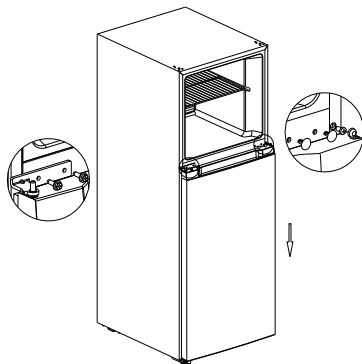
- 4) Retire los pies de ajuste, el tornillo del quicio inferior, y el quicio inferior y posteriormente instale el quicio inferior en el otro lado de la caja e instale los pies de ajuste en el lateral de la abertura de los pies de ajuste.



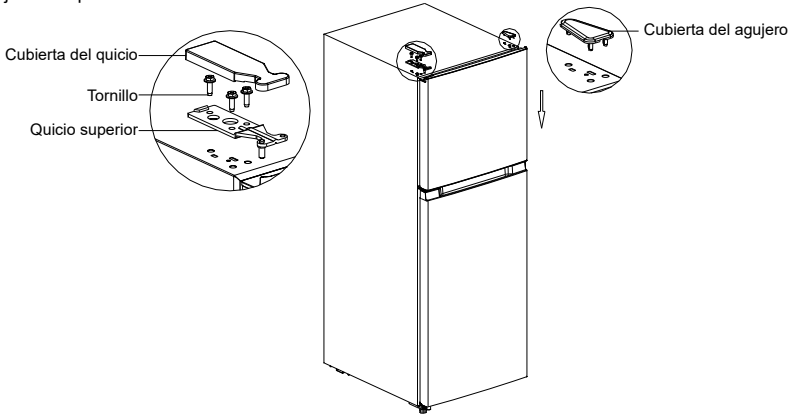
- 5) Desmonte los bloques limitadores y tornillos de la cubierta inferior tanto de la Puerta del frigorífico como del congelador; instálelos en el otro lado de ambas puertas; posteriormente, instale el tubo del manguito de la cubierta superior de la Puerta del frigorífico al otro lado.



- 6) Instale la puerta del frigorífico en el quicio inferior y posteriormente instale el quicio medio y las tapas de los agujeros.



- 7) Instale la Puerta del congelador en el quicio medio e instale el quicio superior, la cubierta del quicio y el agujero del quicio.

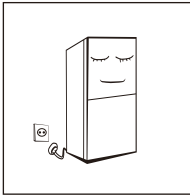


(La imagen que aparece arriba tiene solo una finalidad de referencia. La configuración real dependerá del producto físico o declaración por parte del distribuidor.)

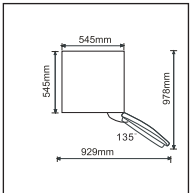
## 2.4 Cambio de luz

Cualquier sustitución o mantenimiento de las bombillas LED está previsto que lo realice el fabricante, su agente de mantenimiento o una persona con una cualificación similar.

## 2.5 Inicio



- Antes del primer inicio, mantenga el refrigerador quieto durante dos horas antes de conectarlo a la alimentación.
- Antes de colocar cualquier alimento fresco o congelado, el refrigerador debe haber estado funcionando durante 2-3 horas, o más de 4 horas en verano cuando la temperatura ambiente es alta.



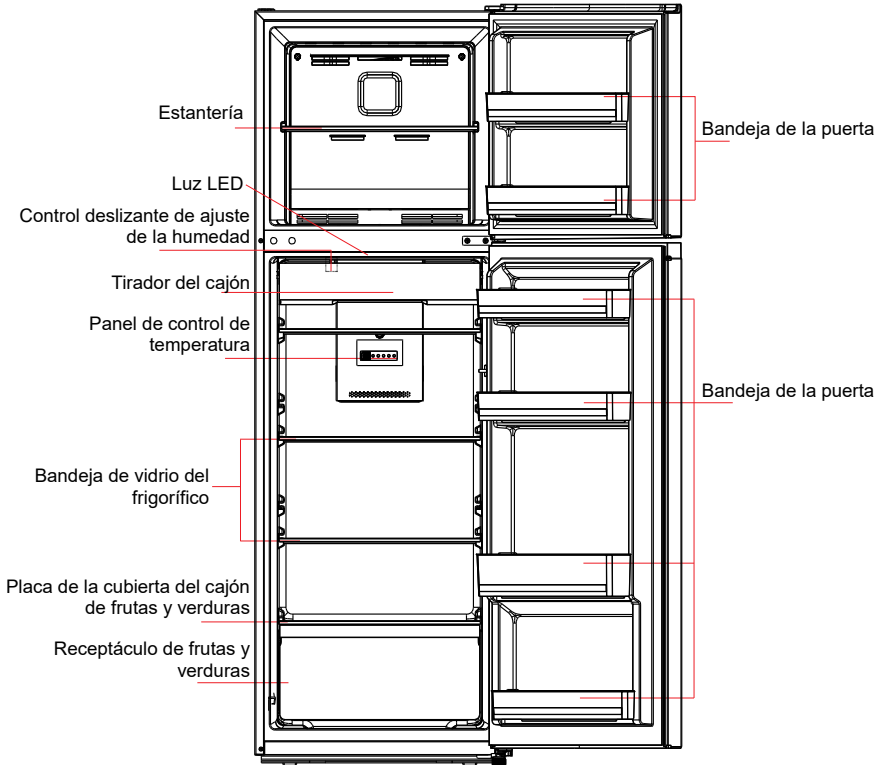
- Deje espacio suficiente para una apertura conveniente de puerta y cajones o según la declaración del distribuidor.

## 2.6 Consejos de ahorro de energía

- El aparato debe colocarse en la zona más fresca de la sala, alejado del calor que produzcan aparatos o conductos de calefacción y alejado de la luz solar directa.
- Deje que los alimentos calientes se enfríen a temperatura ambiente antes de colocarlos en el aparato. Sobrecargar el aparato fuerza al compresor a funcionar durante más tiempo. Los alimentos que se congelan muy lentamente pueden perder calidad o estropearse.
- Asegúrese de envolver adecuadamente los alimentos y secar los recipientes antes de colocarlos en el aparato. Esto disminuye la acumulación de hielo dentro del aparato.
- La cesta de almacenamiento del aparato no debe revestirse de papel de aluminio, papel de cera o toallitas de papel. Los revestimientos interfieren con la circulación del aire frío, haciendo que el aparato sea menos eficiente.
- Organice y etiquete los alimentos para reducir las aperturas de la puerta y búsquedas prolongadas. Retire tantos artículos como necesite de una vez y cierre la puerta a la mayor brevedad posible.

## 3 Estructura y funciones

### 3.1 Componentes clave



(La imagen que aparece arriba tiene solo una finalidad de referencia. La configuración real dependerá del producto físico o declaración por parte del distribuidor.)

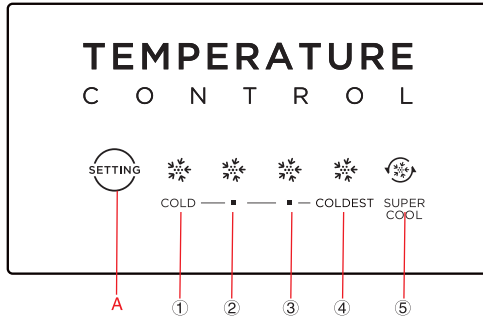
#### **Cámara de refrigeración**

- La cámara de refrigeración es apta para el almacenamiento de una amplia variedad de frutas, verduras, bebidas y otros alimentos consumidos a corto plazo.
- No se deben colocar alimentos cocinados en la cámara del congelador hasta que no estén refrigerados a temperatura ambiente.
- Se recomienda que los alimentos se sellen antes de ponerlos en el congelador.
- Se pueden ajustar las estanterías puede ajustarse arriba o abajo para disponer de una cantidad razonable de espacio de almacenamiento y facilidad de uso.

#### **Cámara de congelación**

- La cámara de congelación na baja temperatura puede mantener los alimentos frescos durante mucho tiempo y se usa principalmente para guardar alimentos congelados y hacer hielo.
- La cámara de congelación es apta para guardar carne, pescado, bolas de arroz y otros alimentos que no van a consumirse a corto plazo.
- Los trozos de carne deben dividirse preferentemente en trozo pequeños para que se congelen rápidamente y sean fáciles de coger. Tenga en cuenta que los alimentos deben consumirse dentro de su fecha de caducidad.

### 3.2 Funciones



**Notas:**

(La imagen que aparece arriba tiene solo una finalidad de referencia. La configuración real dependerá del producto físico o declaración por parte del distribuidor.)

1) Botón de configuración  
A: Botón de configuración

2) Pantalla  
LED: ① marcha (FRÍO)  
LED: ② marcha  
LED: ③ marcha  
LED: ④ marcha (MUY FRÍO)  
LED: ⑤ marcha (SÚPER FRÍO)

3) Pantalla  
Cuando el frigorífico está conectado, en la pantalla se iluminarán todas las luces LED durante 3 segundos; la temperatura predeterminada es MID (③ marcha).  
Cuando haya un fallo, la luz LED muestra el código del error (pantalla de bucle); la pantalla LED muestra la tabla siguiente:

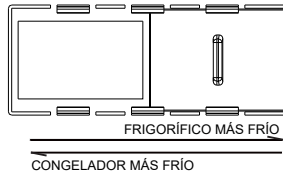
Código de error	Descripción del error
LED ⑤, ④ parpadeando	Fallo del sensor de temperatura de la cámara de refrigeración
LED ⑤, ③ parpadeando	Fallo del sensor de temperatura de descongelación de la cámara de congelación
LED ⑤, ② parpadeando	Fallo del sensor de temperatura ambiente

4) Configuración de engranajes  
Cada vez que pulse el botón de configuración, la marcha cambia una vez; tras configurar la marcha 15 segundos, el frigorífico funcionará según el valor de la configuración.  
Ajuste de la marcha a:



5) Función de Memoria  
El frigorífico puede mantener en la memoria el siguiente estado de funcionamiento cuando se apaga.

6) Control deslizante de ajuste de la humedad



La posición inicial del control deslizante de ajuste del amortiguador está en el lateral derecho más alejado. Para obtener una mejor experiencia de usuario, se recomienda pulsar el control deslizante a la posición derecha y girar la TECLA DE CONFIGURACIÓN a la posición MEDIA. Si el compartimento del frigorífico no está lo suficientemente frío, compruebe si el control deslizante está en la posición izquierda; gire el control deslizante al lado derecho.

## 4 Mantenimiento y cuidado del frigorífico

### 4.1 Limpieza general

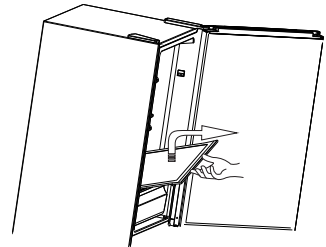
- El polvo detrás del frigorífico y del suelo debe limpiarse rápidamente para mejorar el efecto de refrigeración y el ahorro energético.
- Compruebe regularmente la cesta de la puerta para asegurarse de que no hay residuos. Limpie la cesta de la puerta con un paño suave humedecido con agua jabonosa o detergente diluido.
- El interior del frigorífico debe limpiarse regularmente para evitar los malos olores.
- Apague la alimentación antes de limpiar el interior, retire todos los alimentos, bebidas, estanterías, cajones, etc.
- Use un paño suave o esponja para limpiar el interior del frigorífico, con dos cucharadas de bicarbonato sódico y un cuarto de agua caliente. Posteriormente aclárelo con agua y séquelo. Tras la limpieza, abra la puerta y déjelo secar de forma natural antes de encender la alimentación.
- Para aquellas áreas que son difíciles de limpiar en el frigorífico (como espacios, esquinas y paredes estrechas), se recomienda limpiarlas regularmente con un paño suave, un cepillo suave, etc. y cuando sea necesario, combinarlo con algunas herramientas auxiliares (como palos delgados) para asegurarse de que no hay acumulación de contaminantes o bacterias en estas áreas.
- No use jabón, detergente, polvo para fregar, limpiadores en spray, etc., ya que estos pueden causar malos olores en el interior del frigorífico o contaminar los alimentos.
- Limpie el botellero, estanterías y cajones con un paño suave humedecido con agua jabonosa o detergente diluido. Séquelo con un paño suave o séquelo de forma natural.
- Limpie la superficie exterior del frigorífico con un paño suave humedecido con agua jabonosa, detergente, etc. y después séquelo.
- No use cepillos duros, estropajos de acero, estropajos de alambre, productos abrasivos (como pasta de dientes) disolventes orgánicos (como acetona, alcohol, aceite de plátano, etc.), agua hirviendo, artículos ácidos o alcalinos que pueden dañar la superficie y el interior del frigorífico. El agua hirviendo y los disolventes orgánicos como el benceno pueden deformar o dañar las piezas de plástico.
- No lo aclare directamente con agua u otros líquidos durante la limpieza para evitar cortocircuitos o que afecte al aislamiento eléctrico tras la inmersión.



Desenchufe el frigorífico para la descongelación y la limpieza.

### 4.2 Limpieza de la estantería de cristal

- Levante la parte delantera de la estantería de vidrio y después extráigala;
- Retire la estantería de cristal y límpiela si es necesario;
- La operación inversa es para la instalación de la estantería de cristal.



### 4.3 Descongelación

- El frigorífico está fabricado basándose en el principio de refrigeración de aire y así tiene una función de descongelación automática. El hielo formado debido al cambio de estación o temperatura asimismo puede retirarse manualmente mediante la desconexión del aparato de la alimentación o limpiándolo con una toalla seca.

### 4.4 Sin funcionamiento

- Fallo de alimentación: En caso de un fallo de alimentación, incluso si ese n verano, los alimentos en el interior del aparato pueden mantenerse durante varias horas; durante un fallo de alimentación, se debe reducir las veces que se abre la puerta y no se deben colocar más alimentos frescos en el aparato.
- Ausencia de uso prolongada: El aparato debe desenchufarse y después limpiarse; posteriormente, las puertas se dejan abiertas para evitar los malos olores.
- Traslado: Antes de mover el frigorífico, extraiga todos los objetos al exterior, fije las partes de cristal, el soporte de las verduras, los cajones de la cámara de congelación, etc. con cinta y apriete los pies de equilibrado; cierre las puertas y fijelas con cinta. Durante el traslado, no se debe colocar el aparato al revés u horizontalmente o hacer que vibre; la inclinación durante el movimiento no será superior a 45°.

EL aparato debe funcionar de forma continua una vez que se arranca. En general, el funcionamiento del aparato no debe interrumpirse; el caso contrario, se puede ver alterada su vida útil.



## 5 Problemas y soluciones

Puede intentar resolver estos simples problemas por usted mismo. Si no pueden resolverse, póngase en contacto con el departamento de postventa.

Fallo en el funcionamiento	<p>Compruebe si el aparato está conectado a la alimentación I si el enchufe tiene bien los contactos.</p> <p>Compruebe si la tensión es demasiado baja.</p> <p>Compruebe si hay un fallo de corriente o han saltado los circuitos parciales.</p>
Mal olor	<p>Se deben envolver bien los alimentos que produzcan mal olor.</p> <p>Compruebe si hay alimentos podridos.</p> <p>Limpie el interior del frigorífico.</p>
Funcionamiento durante mucho tiempo del compresor	<p>Es normal el funcionamiento prolongado del frigorífico en verano cuando la temperatura ambiente es alta.</p> <p>No se recomienda tener demasiados alimentos al mismo tiempo en el aparato.</p> <p>Debe dejar enfriar los alimentos antes de meterlos en el aparato.</p> <p>Las puertas se abren con demasiada frecuencia.</p>
La luz no se enciende	<p>Compruebe si el frigorífico está conectado a la alimentación y si la luz que se debe iluminar presenta daños.</p>
No se pueden cerrar debidamente las puertas	<p>La puerta está atascada por los envases de alimentos.</p> <p>El frigorífico está inclinado.</p>
Ruido alto	<p>Compruebe si el suelo está nivelado y si el frigorífico está colocado de forma estable.</p> <p>Compruebe si los accesorios están colocados en las ubicaciones adecuadas.</p>
El sello de la puerta no está estanco	<p>Retire materiales extraños del sello de la puerta.</p> <p>Caliente el sello de la puerta y después refrigérelo para restaurarlo (o sóplelo con un secador eléctrico o use una toalla caliente para calentarlo).</p>
La bandeja de agua se desborda	<p>Hay demasiados alimentos en la cámara o los alimentos almacenados contienen demasiada agua, lo que provoca una grave descongelación.</p> <p>Las puertas no están cerradas debidamente lo que provoca hielo debido a la entrada de aire y al aumento de agua debido a la descongelación.</p>
Espacio caliente	<p>Disipación del calor del condensador integrado a través de la carcasa lo que es normal.</p> <p>Cuando en el hogar hace mucho calor debido a una alta temperatura ambiente y al almacenamiento de demasiados alimentos, se recomienda ofrecer una buena ventilación para facilitar la disipación del calor.</p>
Condensación de la superficie	<p>La condensación de la superficie exterior y los sellos de la puerta del frigorífico es normal cuando la humedad ambiente es demasiado alta.</p> <p>Simplemente limpie la condensación con una toallita limpia.</p>
Ruido anormal	<p>Pitido: El compresor puede producir pitidos durante el funcionamiento y los pitidos son altos en especial durante el inicio y la parada. Esto es normal.</p> <p>Crujido: El refrigerante que fluye por el interior del aparato puede producir crujidos, lo que es normal.</p>

**Tabla 1 Clases de climas**

<b>Clase</b>	<b>Símbolo</b>	<b>Alcance de temperatura ambiente °C</b>
<b>Templada extendida</b>	<b>SN</b>	<b>+ 10 hasta + 32</b>
<b>Templada</b>	<b>N</b>	<b>+ 16 hasta + 32</b>
<b>Subtropical</b>	<b>ST</b>	<b>+ 16 hasta + 38</b>
<b>Tropical</b>	<b>T</b>	<b>+ 16 hasta + 43</b>



# INHALTSVERZEICHNIS

1 Sicherheitshinweise .....	1
1.1 Warnungen .....	1
1.2 Bedeutung der Sicherheitshinweissymbole .....	3
1.3 Warnungen bezüglich der Elektrik .....	3
1.4 Warnungen bezüglich der Benutzung .....	4
1.5 Warnungen bezüglich des Aufstellens .....	4
1.6 Warnungen bzgl. des Betriebs .....	5
1.7 Warnungen bezüglich der Entsorgung .....	5
2 Ordnungsgemäße Benutzung des Kühlschranks .....	6
2.1 Aufstellen .....	6
2.2 Nivellierfüße .....	7
2.3 Türanschlag wechseln .....	7
2.4 Wechseln des Leuchtmittels .....	11
2.5 Inbetriebnahme .....	11
2.6 Energiespartipps .....	11
3 Bestandteile und Funktionen .....	12
3.1 Hauptkomponenten .....	12
3.2 Funktionen .....	13
4 Wartung und Pflege des Kühlschranks .....	14
4.1 Gesamtreinigung .....	14
4.2 Reinigen der Glasablage .....	14
4.3 Abtauen .....	15
4.4 Außer-Betrieb-Zustand .....	15
5 Problembhebung .....	16

# 1 Sicherheitshinweise

## 1.1 Warnungen



**Warnung:** Brandgefahr / Entflammbare Materialien

**DIESES** Gerät ist für die Verwendung bestimmt in: Haushalten und ähnlichen Anwendungen wie Mitarbeiter-Küchenbereiche in Geschäften, Büros und anderen Arbeitsumgebungen; Landwirtschaftshäusern und durch Kunden in Hotels, Motels und anderen Wohnumgebungen; Umgebungen in der Art wie Frühstückspensionen; Gastronomie und ähnlichen Nicht-Einzelhandelsanwendungen.

**DIESES** Gerät ist nicht dafür bestimmt, durch Personen (einschließlich Kinder) mit eingeschränkten physischen, sensorischen oder geistigen Fähigkeiten oder unzureichenden Erfahrungen oder ohne Erfahrung und Wissen benutzt zu werden, es sei denn, sie werden durch eine für ihre Sicherheit zuständige Person beaufsichtigt oder haben von ihr Anleitungen zur Benutzung des Geräts erhalten. Kinder müssen beaufsichtigt werden, um sicherzustellen, dass sie nicht mit dem Gerät spielen.

**WENN** das Stromkabel beschädigt wurde, muss dieses entweder vom Hersteller, einem autorisierten Servicecenter oder ähnlich qualifiziertem Personal ausgetauscht werden, um Unfällen vorzubeugen.

**LAGERN** Sie keine explosiven Objekte wie Aerosoldosen, die brennbare Treibmittel enthalten, in diesem Gerät.

**DAS** Gerät muss nach der Benutzung sowie vor der Ausführung von Wartungsarbeiten vom Stromnetz getrennt werden.

**WARNUNG:** Blockieren Sie nicht die Lüftungsöffnungen am Gehäuse des Geräts oder den geräteinternen Strukturen.

**WARNUNG:** Verwenden Sie keine anderen als die vom Hersteller empfohlenen mechanischen Geräte oder Mittel, um den Abtauprozess zu beschleunigen.

**WARNUNG:** Beschädigen Sie nicht den Kühlmittelkreislauf.

**WARNUNG:** Verwenden Sie keine elektrischen Geräte in der Gefriertruhe, sofern sie nicht durch den Hersteller empfohlen werden.

**WARNUNG:** Bitte entsorgen Sie die Gefriertruhe entsprechend den örtlichen Vorschriften für Geräte zurück, die brennbare Treibgase und Kühlmittel enthalten.

**WARNUNG:** Vergewissern Sie sich beim Aufstellen des Geräts, dass das Netzkabel weder eingeklemmt noch beschädigt ist.

**WARNUNG:** Legen oder hängen Sie keine Mehrfachverteilersteckdosen oder Netzteile hinter das Gerät.

**VERWENDEN** Sie weder Verlängerungskabel noch nicht geerdete (zweipolige) Netzadapter.

**GEFAHR:** Gefahr des Einschließens von Kindern. Bevor Sie Ihre alte Gefriertruhe entsorgen:

- Bauen Sie die Tür ab.
- Lassen Sie Körbe eingebaut, damit Kinder nicht so einfach hineinklettern können.

**DER** Kühlschrank muss vor dem Einbau von Zubehör von seiner Stromversorgung getrennt werden.

**KÄLTEMITTEL** und Cyclopentan-Schaumstoffmaterialien, die in diesem Gerät zum Einsatz kommen, sind brennbar. Aus diesem Grund muss bei der Entsorgung des Geräts darauf geachtet werden, dass es von Wärmequellen ferngehalten und die Entsorgung durch eine Fachrecyclingfirma mit den entsprechenden Qualifikationen für eine Entsorgung außer durch Verbrennung vorgenommen wird, um Schäden an der Umwelt sowie weiteren Schäden vorzubeugen.

**KINDER** müssen beaufsichtigt werden, um sicherzustellen, dass sie nicht mit dem Gerät spielen.

**FÜR** EN Standard: Dieses Gerät kann von Kindern ab 8 Jahren und Personen mit eingeschränkten physischen, sensorischen oder geistigen Fähigkeiten oder unzureichenden Erfahrungen und Kenntnissen benutzt werden, wenn sie beaufsichtigt werden oder sie in die sichere Benutzung des Gerätes eingewiesen worden sind und die mit der Benutzung verbundenen Gefahren verstehen. Kinder dürfen nicht mit dem Gerät spielen. Reinigung und Benutzerwartung dürfen von Kindern nicht ohne Beaufsichtigung durchgeführt werden. Kinder im Alter von 3 bis 8 Jahren dürfen Lebensmittel/Getränke in das Kühlgerät legen/stellen und aus dem Kühlgerät herausnehmen.




**Bitte** folgen Sie nachfolgenden Anleitungen, um einer Verschmutzung der Nahrungsmittel vorzubeugen:

- Durch eine für längere Zeit geöffnete Gefriertruhe kann die Temperatur in den Fächern des Geräts merklich ansteigen.
- Reinigen Sie regelmäßig alle Oberflächen, die in Kontakt mit Nahrungsmitteln und dem Wasserablaufsystem kommen.
- Reinigen Sie den Wassertank, wenn er für mehr als 48 Stunden nicht benutzt wurde. Spülen Sie das an eine Wasserversorgung angeschlossene Wassersystem durch, wenn es für mehr als 5 Tage kein Wasser gezogen hat. (Hinweis 1)
- Bewahren Sie rohes Fleisch und Fisch in der Gefriertruhe in geeigneten Behältern auf, sodass sie nicht auf andere Nahrungsmittel tropfen oder mit anderen Nahrungsmitteln in Kontakt kommen können.
- Zwei-Sterne-❄❄-Gefrierfächer sind geeignet, um Gefriergut aufzubewahren, Eiscreme aufzubewahren oder herzustellen und Eiswürfel herzustellen. (Hinweis 2)
- Ein-Stern-❄, Zwei-Sterne-❄❄- und Drei-Sterne-❄❄❄ Fächer sind nicht geeignet, um frische Nahrungsmittel einzufrieren. (Hinweis 3)
- Wenn Sie das Kühlgerät für einen längeren Zeitraum nicht benutzen, dann schalten Sie es aus. Tauen Sie es anschließend ab und reinigen Sie es. Trocknen Sie es und lassen Sie die Kühlgerätetür etwas geöffnet, um einer Schimmelbildung im Gerät vorzubeugen.

Hinweis 1, 2, 3: Bitte überprüfen Sie, ob dies für den Gefrierfachtyp Ihres Geräts anwendbar ist.

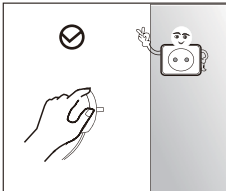
**Jeglicher** Austausch oder jede Wartung der LED-Lampen sollte vom Hersteller, seinem Servicevertreter oder einer ähnlich qualifizierten Person durchgeführt werden.

## 1.2 Bedeutung der Sicherheitshinweissymbole

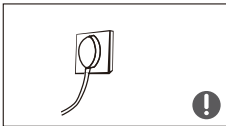
 Verbotssymbol	Das ist ein Verbotssymbol. Die Nichtbeachtung der mit diesem Symbol gekennzeichneten Hinweise kann zu Schäden am Produkt führen oder die persönliche Sicherheit des Benutzers gefährden.
 Warnsymbol	Das ist ein Warnsymbol. Eine Bedienung unter strikter Einhaltung der mit diesem Zeichen gekennzeichneten Anweisungen ist unabdingbar. Missachtung kann zur Beschädigung des Produkts oder Gefährdung des/der Bedieners/-in kommen.
 Hinweisymbol	Das ist ein Hinweisymbol. Die mit diesem Symbol gekennzeichneten Hinweise müssen besonders beachtet werden. Unzureichende Achtsamkeit kann zu leichten oder mittelschweren Verletzungen oder zur Beschädigung des Produkts führen.

Dieses Benutzerhandbuch enthält viele wichtige Sicherheitshinweise, die vom/von der Benutzer/-in zu befolgen sind.

## 1.3 Warnungen bezüglich der Elektrik



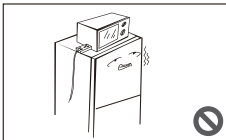
- Ziehen Sie nicht am Netzkabel, wenn Sie den Netzstecker des Kühlschranks aus der Netzsteckdose ziehen wollen. Ziehen Sie bitte das Netzkabel am Netzstecker aus der Netzsteckdose.
- Beschädigen Sie das Netzkabel nicht und verwenden Sie es nicht, wenn es beschädigt oder verschlissen ist, um eine sichere Benutzung des Geräts garantieren zu können.



- Bitte benutzen Sie eine festinstallierte Netzsteckdose, an der kein anderes elektrisches Gerät angeschlossen ist. Der Netzstecker muss ordnungsgemäß in der Netzsteckdose stecken, weil eine nicht ordnungsgemäße Verbindung zu Brand führen kann.
- Bitte vergewissern Sie sich, dass der Massekontakt der Netzsteckdose mit einer ordnungsgemäß installierten Masseleitung verbunden ist.

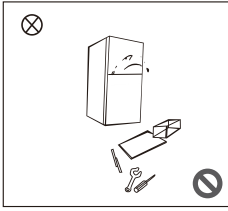


- Bitte schließen Sie das/die Ventil(e) ausströmender Gase und öffnen Sie Türen und Fenster, wenn brennbare oder sonstige Gase austreten. Ziehen Sie nicht den Netzstecker des Kühlschranks oder von anderen elektrischen Geräten aus der Netzsteckdose, weil dadurch ein Funke erzeugt werden könnte, der zu Brand führen kann.

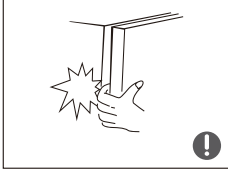


- Benutzen Sie auf dem Produkt keine elektrischen Geräte, sofern sie nicht durch den Hersteller hierfür empfohlen werden.

## 1.4 Warnungen bezüglich der Benutzung



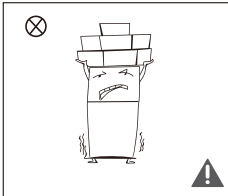
- Nehmen Sie eigenmächtig den Kühlschrank weder auseinander oder bauen Sie ihn um noch beschädigen Sie den Kältemittelkreislauf; die Geräterwartung muss durch eine Fachkraft durchgeführt werden.
- Ein beschädigtes Netzkabel muss durch den Hersteller, seiner Wartungsabteilung oder eine entsprechend ausgebildete Fachkraft ersetzt werden, um Gefahren zu vermeiden.



- Die Spalte zwischen den Kühlschranktüren und dem Kühlschrankgehäuse sind klein. Achten Sie deshalb darauf, dass Sie Ihre Hände von diesen Bereichen fernhalten, um einem Einklemmen der Finger vorzubeugen. Bitte schließen Sie die Kühlschranktür vorsichtig, um einem Um-/Herausfallen von in den Kühlschrank gestellten/gelegten Waren zu vermeiden.
- Legen/Stellen Sie Lebensmittel oder Behälter, besonders Behälter aus Metall, nicht mit nassen Händen in das Gefrierfach, um Erfrierungen zu vermeiden.

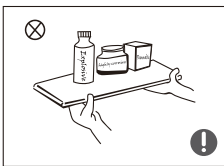


- Verbieten Sie Kindern, in oder auf den Kühlschrank zu steigen; Missachtung kann zu Erstickenunfällen oder Sturzverletzungen der jeweiligen Kinder führen.

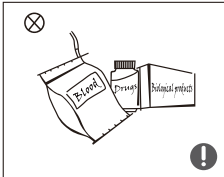


- Stellen Sie keine schweren Gegenstände auf den Kühlschrank, weil diese durch das Öffnen oder Schließen der Kühlschranktür herunterfallen und zu schweren Verletzungen führen können.
- Ziehen Sie den Netzstecker bei Stromausfall oder für die Reinigung der Gefriertruhe aus der Netzsteckdose. Schließen Sie den Kühlschrank nicht innerhalb von 5 Minuten wieder am Stromnetz an, um Beschädigungen des Compressors und den nachfolgenden Teilen zu vermeiden.

## 1.5 Warnungen bezüglich des Aufstellens



- Stellen/Legen Sie keine brennbaren, explosiven, flüchtigen oder hochkorrosiven Gegenstände in den Kühlschrank, um Schäden am Produkt oder Brand vorzubeugen.
- Stellen/Legen Sie keine brennbaren Gegenstände in die Nähe des Kühlschranks, um Brand vorzubeugen.



- Der Kühlschrank ist für die Benutzung im Haushalt für beispielsweise für die Aufbewahrung von Nahrungsmitteln bestimmt. Er darf für keine anderen Zwecke wie beispielsweise die Aufbewahrung von Blut, Medikamenten, biologischen Produkten usw. verwendet werden.



- Bewahren Sie im Gefrierschubfach des Kühlschranks keine mit Bier, Getränken oder anderen Flüssigkeiten gefüllte Flaschen oder geschlossene Behältnisse auf; durch Missachtung können die Flaschen oder geschlossenen Behältnisse durch das Gefrieren der Flüssigkeit zerbrechen und Beschädigungen verursachen.

## 1.6 Warnungen bzgl. des Betriebs

Warnung bezüglich Energie

- 1) Kühlgeräte können u. U. nicht dauerhaft betrieben werden (Möglichkeit des Auftauens des Gefrierzugs oder zu starker Anstieg der Temperaturen im Gefrierschubfach), wenn diese über längere Zeit unterhalb der für das Kühlgerät zulässigen maximalen Kühltiefsttemperatur betrieben werden.
- 2) Lagern Sie keine Sprudelgetränke im Gefrierschrank und verzehren Sie Produkte wie Wassereis nicht zu kalt.
- 3) Es darf die durch den Lebensmittelhersteller empfohlene maximale Aufbewahrungszeit für das jeweilige Nahrungsmittel und des käuflich erwerbten Tiefkühlguts nicht überschritten werden;
- 4) Beim Abtauen des Kühlgeräts sind die Vorsichtsmaßnahmen zu beachten und beispielsweise durch Einwickeln des Gefrierzugs in mehrere Lagen Zeitungspapier dem Erwärmen des Gefrierzugs entgegenzuwirken.
- 5) Es ist zu beachten, dass der Temperaturanstieg des Gefrierzugs beim manuellen Abtauen sowie bei Wartung oder Reinigung die Haltbarkeitsdauer verkürzt.
- 6) Es ist notwendig, dass die Schlüssel für Türen oder Deckel mit Schlössern außerhalb der Reichweite von Kindern und nicht in der Nähe des Kühlgeräts aufbewahrt werden, um einem Eingeschlossen werden der Kinder im Inneren des Kühlgeräts vorzubeugen.

## 1.7 Warnungen bezüglich der Entsorgung

Das Kältemittel und der Cyclopentan-Schaumstoff, die in diesem Kühlschrank zum Einsatz kommen, sind brennbar. Aus diesem Grund muss bei der Entsorgung dieses Kühlschranks darauf geachtet werden, dass er von Wärmequellen ferngehalten und die Entsorgung durch eine Fachrecyclingfirma mit den entsprechenden Qualifikationen für eine Entsorgung außer durch Verbrennung vorgenommen wird, um Schäden an der Umwelt sowie sonstigen Schäden vorzubeugen.

Wenn Sie den Kühlschrank entsorgen möchten, dann demontieren Sie die Türen und entfernen Sie dann die Dichtungen der Türen und Ablagefächer. Legen/Stellen Sie die Türen und Ablagefächer an einen geeigneten Platz, um einem Eingeschlossen werden von Kindern vorzubeugen.

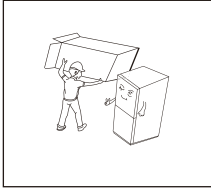


Ordnungsgemäße Entsorgung dieses Produkts:

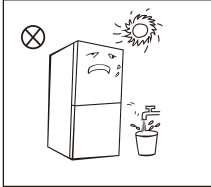
Dieses Symbol weist Sie darauf hin, dass dieses Produkt nicht mit dem gewöhnlichen Haushaltsmüll entsorgt werden darf. Recyceln Sie dieses Produkt den Vorschriften entsprechend, um einer möglichen Schädigung der Umwelt oder der menschlichen Gesundheit durch unkontrollierte Müllentsorgung vorzubeugen und wertvolle Rohstoffe der Wiederverwertung zugänglich zu machen. Nutzen Sie bitte für die Rückführung Ihres Altgeräts die hierfür bereitgestellten Rückgabestellen bzw. Sammelstationen oder setzen Sie sich bitte mit Ihrem Händler in Verbindung, der Ihnen dieses Gerät verkauft hat. Dieser nimmt dann Ihr Altgerät für eine umweltgerechte Entsorgung entgegen.

## 2 Ordnungsgemäße Benutzung des Kühlschranks

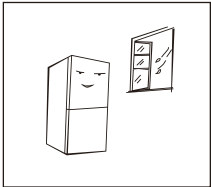
### 2.1 Aufstellen



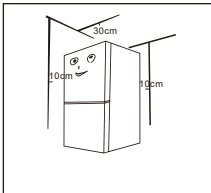
- Entfernen Sie vor der Erstbenutzung des Kühlschranks jegliches Verpackungsmaterial einschließlich der unteren Dämpfung, der Schaumstoffpads und des Klebebandes im Inneren des Kühlschranks und ziehen Sie dann die Schutzfolie der Türen und des Kühlschrankgehäuses ab.



- Stellen Sie die Gefriertruhe fern von Hitze oder direkter Sonneneinstrahlung auf. Stellen Sie die Gefriertruhe nicht an feuchten oder nassen Orten auf, um Rost oder eine Verminderung der isolierenden Wirkung zu vermeiden.
- Sprühen oder waschen Sie den Kühlschrank nicht ab; stellen Sie den Kühlschrank nicht an Plätzen mit hoher Luftfeuchtigkeit und auch dort nicht auf, wo er leicht Spritzwasser ausgesetzt sein kann, um nicht die elektrischen Isolationseigenschaften des Kühlschranks zu gefährden.



- Stellen Sie den Kühlschrank in einem gut belüfteten Raum auf, in dem der Boden eben und stabil ist (drehen Sie die Nivellierfüße in oder gegen Uhrzeigersinn, um den Kühlschrank auszunivellieren, wenn er unstabil stehen sollte).

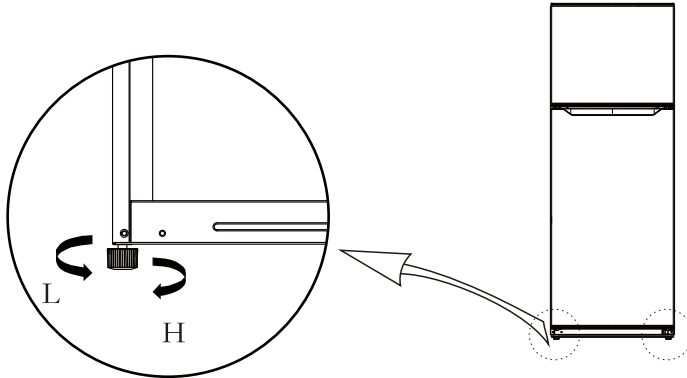


- Der Abstand des Kühlschranks zur Decke muss größer als 30 cm sein und er sollte mindestens 10 cm von der Wand entfernt aufgestellt werden, um die Wärmeableitung zu ermöglichen.

- ❗ **Vorsichtsmaßnahmen vor der Montage:**  
Vor der Montage oder Ausrichtung von Zubehörteilen ist sicherzustellen, dass der Kühlschrank vom Stromnetz getrennt ist.  
Sie müssen Vorsichtsmaßnahmen gegen ein Herab-/Herausfallen des Griffes treffen, weil dies zu Körperverletzungen führen kann.

## 2.2 Nivellierfüße

Prinzipbild des Nivellierfußes







(Die vorstehende Abbildung dient lediglich als Referenz. Die vorhandene Konfiguration ist vom tatsächlichen Produkt oder den Angaben des Lieferanten abhängig.)

Vorgehensweise beim Nivellieren:

- Drehen Sie die Nivellierfüße in Uhrzeigersinn, um den Kühlschrank anzuheben;
- Drehen Sie die Nivellierfüße gegen Uhrzeigersinn, um den Kühlschrank abzusenken;
- Stellen Sie der obenstehenden Vorgehensweise folgend den linken und rechten Nivellierfuß für einen horizontalen Stand ein.

## 2.3 Türanschlag wechseln

Liste der vom/von der Benutzer/-in bereitzulegenden Werkzeuge			
	Kreuzschraubendreher		Kittmesser Schraubendreher mit dünner Klinge
	5/16"- Steckschlüssel und Ratsche		Abdeckband

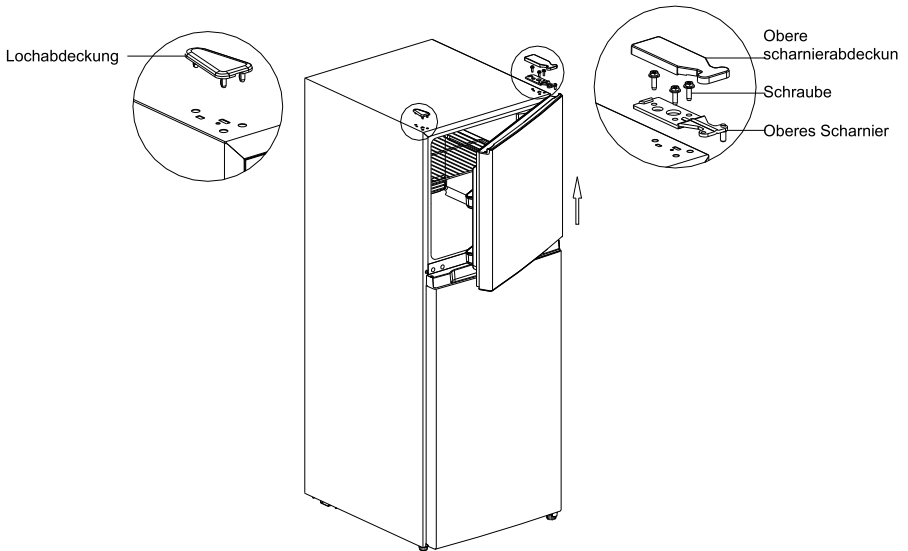
Teile zum Wechseln des Türanschlags			
SN	Teile	Menge	Hinweise
1	Rechtes oberes Scharnier	1	Am Kühlschrank vormontiert, wird beim Wechseln des Türanschlags verwendet
2	Rechte obere Scharnierabdeckung	1	Am Kühlschrank vormontiert, wird beim Wechseln des Türanschlags verwendet
3	Obere Scharnierachsenhülse	1	Am Kühlschrank vormontiert, wird beim Wechseln des Türanschlags verwendet
4	Obere Scharnierschraube	3	Am Kühlschrank vormontiert, wird beim Wechseln des Türanschlags verwendet
5	Lochabdeckung	1	Am Kühlschrank vormontiert, wird beim Wechseln des Türanschlags verwendet
6	Mittlere Scharnierschraube	2	Am Kühlschrank vormontiert, wird beim Wechseln des Türanschlags verwendet
7	Mittleres Scharnier	1	Am Kühlschrank vormontiert, wird beim Wechseln des Türanschlags verwendet
8	Lochstöpsel	2	Am Kühlschrank vormontiert, wird beim Wechseln des Türanschlags verwendet
9	Mittelträgerschraube	1	Am Kühlschrank vormontiert, wird beim Wechseln des Türanschlags verwendet
10	Kappe der Mittelträgerschraube	1	Am Kühlschrank vormontiert, wird beim Wechseln des Türanschlags verwendet
11	Einstellbare Standfüße	1	Am Kühlschrank vormontiert, wird beim Wechseln des Türanschlags verwendet
12	Untere Scharnierschraube	3	Am Kühlschrank vormontiert, wird beim Wechseln des Türanschlags verwendet
13	Untere Scharnierereinheit	1	Am Kühlschrank vormontiert, wird beim Wechseln des Türanschlags verwendet
14	Schraube der unteren Endabdeckung der Gefertür	1	Am Kühlschrank vormontiert, wird beim Wechseln des Türanschlags verwendet



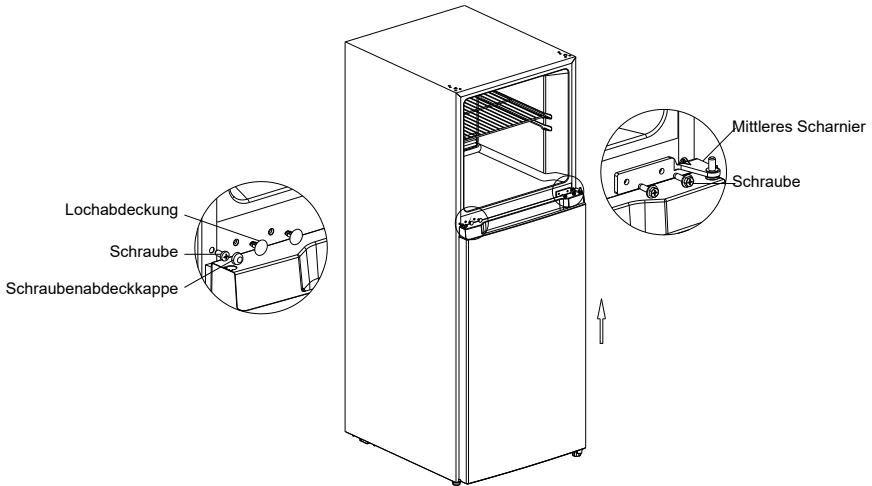
### Teile zum Wechseln des Türanschlags

SN	Teile	Menge	Hinweise
15	Begrenzungsblock der unteren Endabdeckung der Gefertiertür	1	Am Kühlschrank vormontiert, wird beim Wechseln des Türanschlags verwendet
16	Schraube der unteren Endabdeckung der Kühlschranktür	1	Am Kühlschrank vormontiert, wird beim Wechseln des Türanschlags verwendet
17	Begrenzungsblock der unteren Endabdeckung der Kühlschranktür	1	Am Kühlschrank vormontiert, wird beim Wechseln des Türanschlags verwendet
18	Obere Endabdeckung Achsmanschette der Kühlschranktür	1	Am Kühlschrank vormontiert, wird beim Wechseln des Türanschlags verwendet

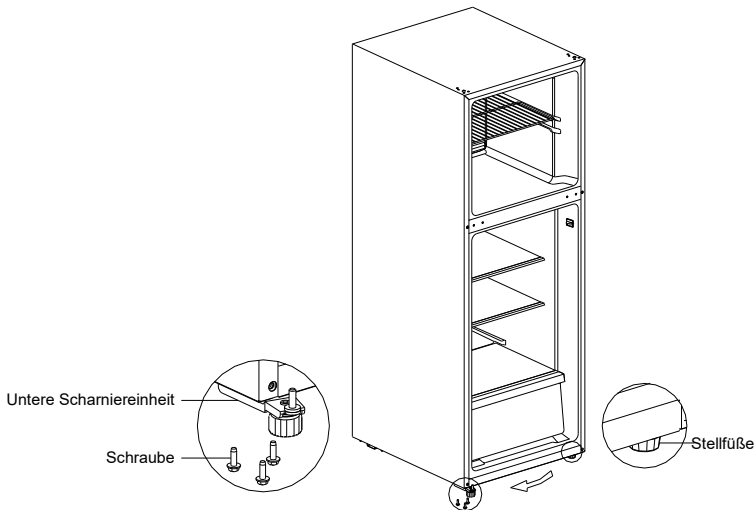
- 1) Bitte schalten Sie das Gerät a us, bevor Sie diesen Vorgang durchführen. Entfernen Sie alle Lebensmittel aus den Türregalen.
- 2) Entfernen Sie die Lochkappe, die obere Scharnierabdeckung, die Befestigungsschrauben des oberen Scharniers, das obere Scharnier und das Muffenrohr, dann heben Sie die Kühlschranktür an, bis sie vollständig vom Schrank getrennt ist.



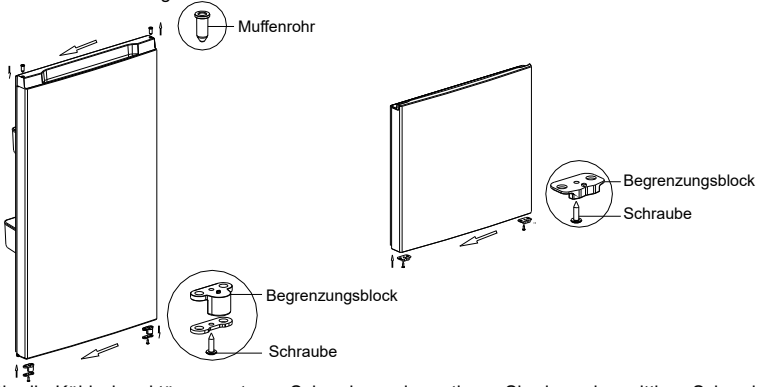
3) Lösen Sie die Schrauben des mittleren Scharniers, entfernen Sie das mittlere Scharnier und entfernen Sie die zwei Lochstopfen, eine Schraube, eine Schraubenkappe am mittleren Balken, nehmen Sie dann die Kühlschrantür ab.



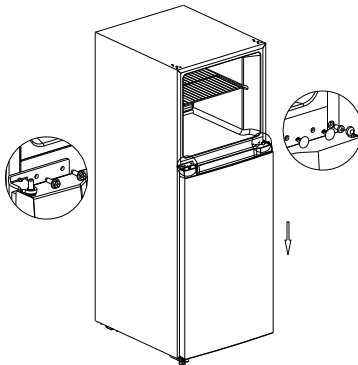
4) Entfernen Sie die Stellfüße, die Schraube des unteren Scharniers und die untere Scharnierbaugruppe und montieren Sie dann die untere Scharnierbaugruppe auf der anderen Seite des Gehäuses.



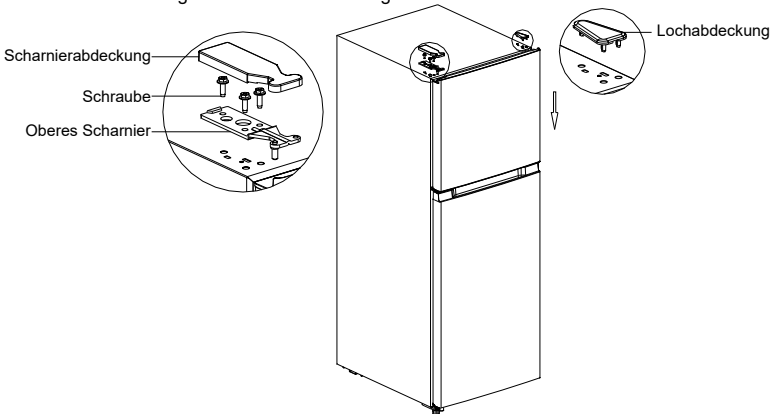
5) Demontieren Sie die Begrenzungsblöcke und Schrauben an der unteren Abdeckung der Kühlschranktür und der Gefriertür, montieren Sie sie auf der anderen Seite der beiden Türen; montieren Sie dann das Muffenrohr an der oberen Abdeckung der Kühlschranktür auf der anderen Seite.



6) Montieren Sie die Kühlschranktür am unteren Scharnier und montieren Sie dann das mittlere Scharnier und die Lochkappen.



7) Montieren Sie die Gefrierfachtür auf dem mittleren Scharnier und montieren Sie dann das obere Scharnier, die Scharnierabdeckung und die Lochabdeckung.

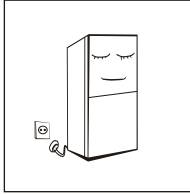


(Die vorstehende Abbildung dient lediglich als Referenz. Die vorhandene Konfiguration ist vom tatsächlichen Produkt oder den Angaben des Lieferanten abhängig.)

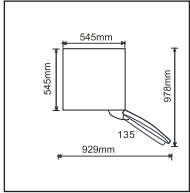
## 2.4 Wechseln des Leuchtmittels

Der Austausch oder die Wartung ALLER LED-Lampen muss vom Hersteller, seinem Kundendienst oder einer ähnlich qualifizierten Person durchgeführt werden.

## 2.5 Inbetriebnahme



- Lassen Sie den Kühlschrank zwei Stunden ausgeschaltet stehen, bevor Sie ihn am Stromnetz anschließen.
- Der Kühlschrank muss 2 – 3 Stunden und im Sommer bei hohen Umgebungstemperaturen mindestens 4 Stunden laufen, bevor Sie frische oder gefrorene Lebensmittel in den Kühlschrank legen/stellen können.



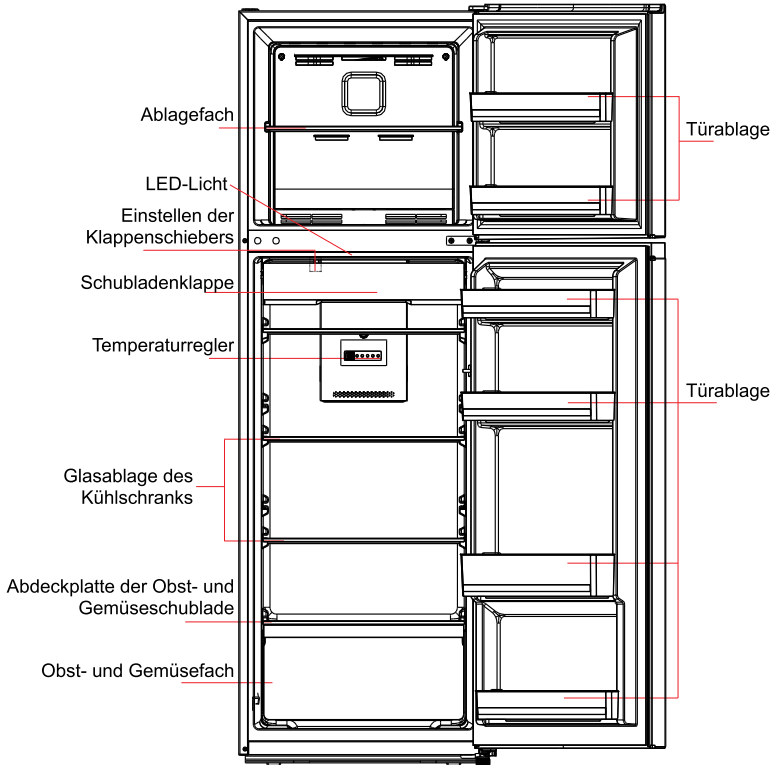
- Lassen Sie genug Platz für das bequeme Öffnen der Türen und Schubladen oder folgen Sie den Herstellerangaben.

## 2.6 Energiespartipps

- Das Gerät sollte im kühlestem Bereich des Raumes fern von wärmeerzeugenden Geräten, Wärmeleitungen und direkter Sonneneinstrahlung aufgestellt werden.
- Lassen Sie heiße Nahrungsmittel erst auf Zimmertemperatur abkühlen, bevor Sie sie in das Kühlgerät stellen. Durch Überladen des Kühlgeräts wird der Kompressor gezwungen, länger zu laufen. Nahrungsmittel, die zu langsam gefrieren, können an Qualität einbüßen oder sogar verderben.
- Vergewissern Sie sich, dass Sie die Nahrungsmittel ordentlich eingewickelt haben und wischen Sie deren Aufbewahrungsbehälter ganz trocken, bevor Sie sie in das Kühlgerät legen/stellen. Das reduziert die Frostbildung im Inneren des Kühlgeräts.
- Das Innere oder Körbe dürfen nicht mit Aluminiumfolie, Wachspapier oder Papierhandtüchern ausgekleidet werden. Durch Abdecken wird die Kaltluftzirkulation behindert, wodurch die Effizienz des Kühlgeräts sinkt.
- Ordnen und beschriften Sie die Nahrungsmittel, um einem unnötig Öffnen der Tür und einem zu langen Suchen im Kühlgerät entgegenzuwirken. Nehmen Sie pro Türöffnung nur die wirklich benötigte Menge an Nahrungsmitteln heraus und schließen Sie anschließend so schnell wie möglich die Tür wieder.

## 3 Bestandteile und Funktionen

### 3.1 Hauptkomponenten



(Die vorstehende Abbildung dient lediglich als Referenz. Die vorhandene Konfiguration ist vom tatsächlichen Produkt oder den Angaben des Lieferanten abhängig.)

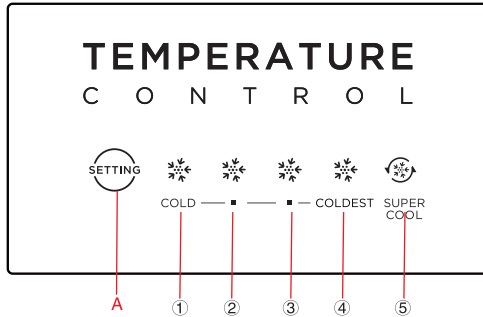
#### **Kühlbereich**

- Der Kühlbereich ist für die Aufbewahrung von Früchten, Gemüse, Getränken und anderen Nahrungsmitteln geeignet, die in kurzer Zeit verbraucht werden.
- Zubereitete Lebensmittel dürfen erst dann in den Kühlbereich gestellt/gelegt werden, nachdem Sie auf Zimmertemperatur abgekühlt sind.
- Früchte sollten mit Folie abgedeckt/umwickelt werden, bevor Sie in den Kühlschrank gelegt/gestellt werden.
- Die Glasablagefächer können in der Höhe nach oben und unten hin an die aufzubewahrenden Nahrungsmittel angepasst werden.

#### **Gefrierschubfach**

- Im Gefrierschubfach können Sie Lebensmittel für lange Zeit frisch halten. Es wird hauptsächlich für die Aufbewahrung von Gefriergut sowie zur Eisherstellung verwendet.
- Das Gefrierschubfach ist für die Aufbewahrung von Nahrungsmitteln wie beispielsweise Fleisch, Fisch, Reisbällchen usw. geeignet, die nicht in kurzer Zeit verbraucht werden.
- Größere Fleischstücke sollten dabei für schnelles Gefrieren und einfache Entnehmbarkeit in kleine handliche Portionen zerteilt werden. Beachten Sie, dass Lebensmittel vor dem Verfalldatum verzehrt werden müssen.

### 3.2 Funktionen



Hinweise:

(Die vorstehende Abbildung dient lediglich als Referenz. Die vorhandene Konfiguration ist vom tatsächlichen Produkt oder den Angaben des Lieferanten abhängig.)

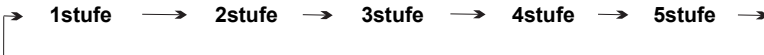
1) Einstelltaste  
A: Einstelltaste

2) Displayanzeige  
LED: ① stufe (KALT)  
LED: ② stufe  
LED: ③ stufe  
LED: ④ stufe (AM KÄLTESTEN)  
LED: ⑤ stufe (EXTREM KALT)

3) Display  
Wenn der Kühlschrank eingeschaltet ist, leuchten auf dem Display alle LEDs für 3 Sekunden, die Standardtemperatur ist MID (③ stufe).  
Wenn ein Fehler auftritt, zeigt die LED-Leuchte den Fehlercode an (Schleifenanzeige), die LED-Leuchte hat dann die in der folgenden Tabelle angezeigte Bedeutung:

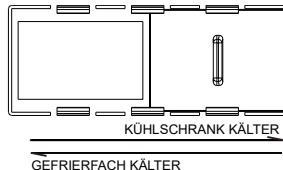
Fehlercode	Fehlerbeschreibung
LED ⑤, ④ blinken	Ausfall des Kühlbereichstemperatursensors
LED ⑤, ③ blinken	Ausfall des Abtautemperaturfühlers des Gefrierfachs
LED ⑤, ② blinken	Ausfall des Umgebungstemperatursensors

4) Stufeneinstellung  
Jedes Mal, wenn Sie die Einstelltaste drücken, wechselt die Stufe einmal; 15 Sekunden nach der Einstellung der entsprechenden Stufe läuft der Kühlschrank entsprechend dem Einstellwert.  
Einstellung der Stufe auf:



5) Speicherfunktion  
Der Kühlschrank kann die folgenden Betriebszustände speichern, wenn er ausgeschaltet ist.

6) Einstellen der Klappenschiebers



Die Ausgangsposition des Schiebereglers für die Klappeneinstellung ist ganz rechts.  
Für eine bessere Benutzererfahrung wird empfohlen, den Schieber in die rechte Position zu schieben und die EINSTELLTASTE in die Position MID zu bringen. Falls es im Kühlschrankbereich nicht ausreichend kühl ist, prüfen Sie bitte, ob sich der Schieber in der linken Position befindet und schieben Sie ihn auf die rechte Seite.

## 4 Wartung und Pflege des Kühlschranks

### 4.1 Gesamtreinigung

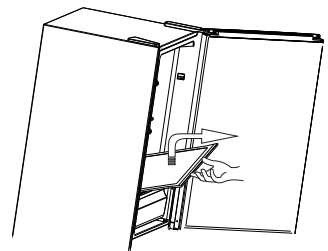
- Staub hinter dem Kühlschrank und auf dem Boden muss regelmäßig entfernt werden, um den Kühleffekt effizient zu halten und Energie zu sparen.
- Überprüfen Sie regelmäßig die Türdichtung, um sicherzustellen, dass Sie nicht verschmutzt ist. Reinigen Sie die Türdichtung mit einem weichen, mit Seifenlauge oder verdünnten Reinigungsmittel angefeuchteten Tuch.
- Der Innenraum des Kühlschranks sollte regelmäßig gereinigt werden, um der Geruchsentwicklung vorzubeugen.
- Bitte schalten Sie den Kühlschrank aus, bevor Sie alle Nahrungsmittel, Getränke, Ablagefächer, Einschübe usw. herausnehmen und den Kühlschrank reinigen.
- Benutzen Sie ein weiches Tuch oder einen weichen Schwamm zusammen mit in 1 Liter Wasser gelösten 2 TL Backpulver, um den Kühlschrankinnenraum zu reinigen. Spülen Sie sie dann mit Wasser ab und wischen Sie sie anschließend trocken. Öffnen Sie nach der Reinigung die Getränke Kühلتür, damit der Innenraum auf natürliche Weise trocknen kann, bevor Sie den Getränke Kühler wieder am Stromnetz anschließen.
- Für die schwer zu reinigenden Bereiche des Kühlschranks (wie z. B. Einengungen, Zwischenräume oder Ecken) ist es empfehlenswert, sie mit einem weichen Lappen, einer weichen Bürste o. ä. zu reinigen. Setzen Sie sie bei Bedarf in Kombination mit weiteren zusätzlichen Hilfsmitteln (wie z. B. dünne Stäbchen) ein, um sicherzustellen, dass sich in diesen Bereichen keine Verschmutzungen oder Bakterien ansammeln.
- Verwenden Sie weder Seife, Spülmittel, Reinigungspulver, Reinigungssprays usw., weil diese im Innenraum des Kühlschranks Gerüche verursachen oder Nahrungsmittel verunreinigen können.
- Reinigen Sie die Flaschenfächer, Ablagefächer und Einschübe mit einem weichen, mit Seifenlauge oder verdünnten Reinigungsmittel angefeuchteten Tuch. Wischen Sie sie anschließend mit einem weichen Tuch trocken oder lassen Sie sie auf natürliche Weise trocknen.
- Wischen Sie die Außenseite des Kühlschranks mit einem weichen Tuch ab, das mit einer Seifenlösung, einem Reinigungsmittel usw. benetzt wurde und anschließend trocken.
- Verwenden Sie für die Reinigung des Kühlschranks keine harten Bürsten, Stahltopfreiniger, Drahtbürsten, Scheuermittel (wie beispielsweise Zahnpasta), organische Reinigungsmittel (wie beispielsweise Alkohol, Aceton, Bananenöl usw.), kochendes Wasser oder saure/basische Mittel, weil diese die Oberfläche und/oder den Innenraum des Kühlschranks angreifen können. Durch kochendes Wasser und organische Lösungsmittel wie beispielsweise Reinigungsbenzin können sich die Kunststoffteile verformen oder beschädigt werden.
- Spülen Sie während der Reinigung niemals direkt mit Wasser oder anderen Flüssigkeiten, um einem Kurzschluss oder einer Beeinträchtigung der elektrischen Isolationseigenschaften vorzubeugen.



⚠ Bitte trennen Sie zum Abtauen und für die Reinigung den Kühlschrank vom Stromnetz.

### 4.2 Reinigen der Glasablage

- Heben Sie die Vorderseite der Glasablage an und ziehen Sie sie dann heraus;
- Nehmen Sie die Glasablage aus dem Kühlschrank heraus und reinigen Sie sie nach Bedarf;
- Für das Wiedereinsetzen der Glasablage gehen Sie in umgekehrter Reihenfolge vor.



### 4.3 Abtauen

- Der Kühlschrank arbeitet nach dem Luftkühlungsprinzip und besitzt somit auch eine automatische Abtaufunktion. Sie können aber den Frost auch manuell entfernen, der sich aufgrund von Jahreszeitenwechsel oder Temperaturschwankungen bildet. Trennen Sie hierfür das Gerät vom Stromnetz oder wischen Sie ihn mit einem trockenen Handtuch weg.

### 4.4 Außer-Betrieb-Zustand

- Stromausfall: Bei einem Stromausfall können Nahrungsmittel selbst im Sommer im Inneren des Geräts mehrere Stunden lang aufbewahrt werden, wobei die Tür so wenig wie nur möglich geöffnet werden sollte und keine weiteren frischen Nahrungsmittel in den Kühlschrank gelegt/gestellt werden dürfen.
- Nichtbenutzung über längere Zeit: Sie müssen das Gerät vom Stromnetz trennen und anschließend reinigen. Lassen Sie danach die Kühlschranktüren geöffnet, um einer Geruchsbildung vorzubeugen.
- Transport: Nehmen Sie alle Gegenstände vor einem Transport des Kühlschranks heraus und fixieren Sie alle Glasteile, Gemüsehalter, Gefrierfachschubfächer usw. mit Klebeband. Ziehen Sie zudem die Nivellierfüße fest, schließen Sie die Türen und fixieren Sie sie ebenfalls mit Klebeband. Während des Transports darf das Gerät weder kopfüber stehen noch horizontal liegen oder Vibrationen ausgesetzt werden. Die Neigung während des Transports darf 45° nicht überschreiten.

Das Gerät muss nach der Inbetriebnahme ununterbrochen laufen. Grundsätzlich darf der Betrieb des Geräts nicht unterbrochen werden. Durch Missachtung kann die Lebensdauer verkürzt werden.





## 5 Problembehebung

Sie können versuchen, die folgenden einfachen Probleme selbst zu beheben. Wenn Sie sie hierdurch jedoch nicht beheben können, dann setzen Sie sich bitte mit dem Kundendienst in Verbindung.

Kein Betrieb	Überprüfen Sie, ob das Gerät am Stromnetz angeschlossen ist und der Netzstecker ordnungsgemäß in der Netzsteckdose steckt. Überprüfen Sie, ob die Netzspannung zu gering ist. Überprüfen Sie, ob ein Stromausfall vorliegt, ein Schutzschalter ausgelöst wurde oder eine Sicherung durchgebrannt ist.
Gerüche	Geruchsintensive Nahrungsmittel müssen gut eingepackt werden. Überprüfen Sie, ob sich verdorbene Nahrungsmittel im Kühlschrank befinden. Reinigen Sie den Innenbereich des Kühlschranks.
Langes Laufen des Kompressors	Ein langes Laufen des Kühlschrankkompressors ist im Sommer dann normal, wenn die Umgebungstemperatur hoch ist. Es ist nicht empfehlenswert, zu viele Nahrungsmittel gleichzeitig im Kühlschrank aufzubewahren. Nahrungsmittel müssen ausreichend genug abgekühlt sein, bevor sie in den Kühlschrank gelegt/gestellt werden. Die Türen werden zu oft geöffnet.
Keine Beleuchtung oder die Beleuchtung erlischt	Überprüfen Sie, ob der Kühlschrank am Stromnetz angeschlossen ist und ob ein Defekt des Leuchtmittels vorliegt.
Die Türen können nicht ordnungsgemäß geschlossen werden	Die Tür wird durch Lebensmittelverpackungen am ordnungsgemäßen Schließen gehindert. Der Kühlschrank steht nicht eben.
Laute Geräusche	Überprüfen Sie, ob der Kühlschrank nivelliert ist und stabil steht. Überprüfen Sie, ob sich die Zubehörteile an der vorgesehenen Stelle befinden.
Die Türdichtung dichtet nicht vollständig	Entfernen Sie Fremdstoffe, die sich auf der Türdichtung befinden. Erhitzen Sie die Türdichtung und kühlen Sie sie anschließend zur Wiederherstellung ab (blasen Sie sie zum Erhitzen mit einem elektrischen Haartrockner an oder verwenden Sie ein heißes Handtuch).
Die Wasserauffangschale läuft über	Im Kühlbereich/Gefrierschubfach werden zu viele Nahrungsmittel aufbewahrt oder die aufbewahrten Nahrungsmittel enthalten zu viel Wasser, was zu einem starken Abtauen führt. Die Türen sind nicht ordnungsgemäß geschlossen, wodurch es zum Gefrieren der Luft im Eingangsbereich kommt und dadurch die Wassermenge während des Abtauens ansteigt.
Gehäuse ist heiß	Das ist die Wärmeableitung des eingebauten Kühlers über das Gehäuse, was normal ist. Wenn aufgrund einer hohen Umgebungstemperatur und der Aufbewahrung von zu vielen Lebensmitteln das Gehäuse heiß wird, dann ist es empfehlenswert, eine gute Luftzirkulation bereitzustellen, um die Wärmeableitung zu unterstützen.
Kondensation an der Oberfläche	Kondensationen an der Außenseite des Kühlschranks und an den Kühlschranktürdichtungen sind normal, wenn die Umgebungstemperatur sehr hoch ist. Wischen Sie die Kondensation einfach mit einem sauberen Handtuch ab.
Ungewöhnliche Geräusche	Summen: Während seines Betriebs kann der Kompressor u. U. summen, wobei dieses Summen vor allem beim Starten und Stoppen sehr laut ist. Das ist normal. Knarren: Das im Inneren des Kühlschranks fließende Kältemittel kann ein Knarren erzeugen, was normal ist.

**Tabelle 1 Klimaklassen**

<b>Klasse</b>	<b>Symbol</b>	<b>Umgebungstemperaturbereich °C</b>
<b>Erweitertes gemäßigtes Klima</b>	<b>SN</b>	<b>+10 bis +32</b>
<b>Gemäßigt</b>	<b>N</b>	<b>+16 bis +32</b>
<b>Subtropisch</b>	<b>ST</b>	<b>+16 bis +38</b>
<b>Tropisch</b>	<b>T</b>	<b>+16 bis +43</b>

# INDICE

1 Informazioni di sicurezza .....	1
1.1 Avvertenza.....	1
1.2 Significato dei simboli per gli avvisi di sicurezza .....	3
1.3 Avvertenze relative agli impianti elettrici .....	3
1.4 Avvertenze per l'utilizzo .....	4
1.5 Avvertenze di sistemazione .....	4
1.6 Avvertenze sull'energia .....	5
1.7 Avvertenze sullo smaltimento .....	5
2 Uso corretto dei frigoriferi.....	6
2.1 Collocazione.....	6
2.2 Piedini di livellamento .....	7
2.3 Cambio della porta da destra a sinistra.....	7
2.4 Sostituzione dell'illuminazione .....	10
2.5 Di partenza .....	10
2.6 Suggerimenti per il risparmio di corrente.....	10
3 Struttura e funzioni.....	11
3.1 Componenti principali .....	11
3.2 Funzioni.....	12
4 Manutenzione e cura del frigorifero .....	13
4.1 Pulizia complessiva .....	13
4.2 Pulizia degli scaffali in vetro.....	13
4.3 Sbrinamento .....	14
4.4 Guasti di funzionamento .....	14
5 Risoluzione dei problemi.....	15

# 1 Informazioni di sicurezza

## 1.1 Avvertenza



**Avvertenza:** rischio di incendio/materiali infiammabili

Il presente elettrodomestico è destinato ad uso domestico e altre applicazioni simili, quali cucine e mense in negozi, uffici e altri ambienti di lavoro; in strutture per agriturismo, camere di hotel, motel e altri ambienti di tipo residenziale per utilizzo da parte dei clienti; in strutture destinate a bed and breakfast, catering e altre simili applicazioni all'ingrosso.

**L'UTILIZZO** del presente elettrodomestico non è destinato a bambini o persone affette da menomazioni fisiche, mentali e sensoriali, o prive di conoscenza dell'apparecchiatura, se non sotto il controllo di apposito personale o dopo essere stati istruiti sull'uso del dispositivo da un responsabile della sicurezza. I bambini devono essere controllati per garantire che essi non giochino con l'elettrodomestico.

**SE** il cavo di alimentazione è danneggiato, esso va immediatamente sostituito dal produttore, un suo agente di assistenza autorizzato o altro personale qualificato per evitare pericoli.

**NON** conservare in questo elettrodomestico sostanze esplosive, quali bombolette spray con propellente infiammabile.

L'elettrodomestico deve essere scollegato dall'alimentazione quando non è in uso o prima di eseguire attività di manutenzione su di esso.

**AVVERTENZA:** Mantenere le feritoie di ventilazione sull'involucro o sulla struttura integrata dell'elettrodomestico libere da ostacoli.

**AVVERTENZA:** Per accelerare il processo di sbrinamento, utilizzare solo i dispositivi meccanici o altri attrezzi indicati dal produttore.

**AVVERTENZA:** Non danneggiare il circuito refrigerante.

**AVVERTENZA:** Non utilizzare all'interno degli scomparti per la conservazione delle vivande dell'apparecchio dispositivi elettrici diversi da quelli indicati dal produttore.

**AVVERTENZA:** Smaltire il frigorifero nel rispetto delle norme locali, poiché esso fa uso di gas e refrigeranti infiammabili.

**AVVERTENZA:** Durante la sistemazione dell'elettrodomestico, verificare che il cavo di alimentazione non sia danneggiato o piegato.

**AVVERTENZA:** Non applicare prese multiple o alimentatori portatili su retro dell'elettrodomestico.

**NON** utilizzare prolunghe o alimentatori privi di messa a terra (spine a due sole lame).

**PERICOLO:** Rischio di restare intrappolati per i bambini. Prima di smaltire frigoriferi o congelatori vecchi:

– Rimuovere le porte.

– Non rimuovere gli scaffali interni, in modo che i bambini non possano infilarsi all'interno dell'elettrodomestico.




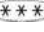
Il frigorifero deve essere scollegato dall'alimentazione elettrica prima di procedere all'installazione degli accessori.

**Il fluido refrigerante** e la schiuma al ciclopentano usati per l'apparecchio sono materiali infiammabili. Di conseguenza, in caso di demolizione dell'apparecchio, tenere lontano da qualsiasi fonte di calore. L'unità dovrà essere recuperata da un'azienda appositamente specializzata e dotata di certificazione. L'apparecchio, infatti, non può essere trattato attraverso la combustione perché ciò potrebbe causare danni all'ambiente o di altra natura.

**I BAMBINI** devono essere controllati per garantire che essi non giochino con l'elettrodomestico.




**IMPIANTI** conformi allo standard EN: Il presente elettrodomestico può essere utilizzato da bambini di età non inferiore a 8 anni e da persone affette da menomazioni fisiche, sensoriali e mentali o prive di conoscenza dell'apparecchiatura, sotto il controllo di apposito personale o dopo essere stati istruiti sull'uso sicuro del dispositivo e sui pericoli che questo implica. I bambini non devono giocare con l'elettrodomestico. La pulizia e la manutenzione del frigorifero non devono essere svolte da bambini non controllati. I bambini di età compresa tra i 3 e gli 8 anni non possono caricare e scaricare il contenuto di frigoriferi.

**Per** evitare la contaminazione delle vivande rispettare le istruzioni seguenti:

- L'apertura delle porte per periodi di tempo prolungati può causare significativi aumenti della temperatura dei comparti del frigorifero.
- Pulire regolarmente le superfici che possono venire a contatto con le vivande e accessibili ai sistemi di drenaggio.
- Pulire i serbatoi d'acqua se non sono usati per 48 ore; sciacquare il sistema idrico connesso a impianti di erogazione idrica, se l'acqua è rimasta chiusa per 5 giorni. (nota 1)
- Conservare carne e pesce crudi in appositi contenitori, in modo che non possano venire in contatto con altre vivande né sgocciolare su di esse.
- I compartimenti  dei congelatori a due stelle permettono di conservare cibi precongelati, conservare e preparare gelati o realizzare cubetti di ghiaccio. (nota 2)
- I compartimenti a una , due  e tre stelle  non sono adatti al congelamento di cibi freschi. (nota 3)
- Se il congelatore resta vuoto per molto tempo, prima di riutilizzarlo occorre spegnerlo, sbrinarlo, pulirlo, asciugarlo e lasciare la porta aperta per evitare la formazione di muffa all'interno dell'elettrodomestico.

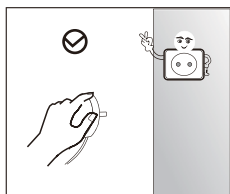
**Qualsiasi** sostituzione o manutenzione delle lampade a LED deve essere effettuata dal produttore, dal suo agente di servizio o da una persona qualificata.

## 1.2 Significato dei simboli per gli avvisi di sicurezza

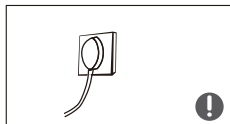
 Simbolo di divieto	Questo è un simbolo di divieto. Il mancato rispetto delle istruzioni contrassegnate con questo simbolo potrebbe causare danni al prodotto o compromettere la sicurezza del personale o degli utenti.
 Simbolo di avvertenza	Questo è il simbolo di avvertenza. Occorre operare seguendo accuratamente tutte le istruzioni contrassegnate con questo simbolo per evitare danni al prodotto o lesioni personali.
 Simbolo di nota	Questo è un simbolo precauzionale. Le istruzioni contrassegnate con questo simbolo devono essere eseguite con particolare cautela. In caso contrario, si potrebbero causare lesioni personali lievi o moderate e danni al prodotto.

Il presente manuale contiene importanti informazioni di sicurezza che devono essere rispettate dall'utente.

## 1.3 Avvertenze relative agli impianti elettrici



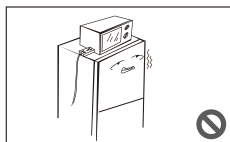
- Non estrarre la spina di alimentazione del frigorifero tirandola dal cavo elettrico. Estrarre la spina direttamente dalla presa, dopo averla afferrata saldamente.
- Per garantire la massima sicurezza di utilizzo, non danneggiare il cavo di alimentazione, né usare il prodotto in caso di danni al suddetto cavo.



- Per l'alimentazione dell'elettrodomestico usare una presa dedicata, che non deve essere condivisa con altri apparecchi elettrici. Per evitare il rischio di incendi, inserire saldamente la spina nella presa di alimentazione elettrica.
- Verificare che l'elettrodo di messa a terra della presa elettrica sia collegato a una linea di terra funzionante.

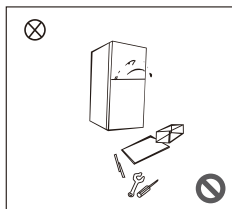


- In caso di perdite di gas o altre sostanze infiammabili, chiudere immediatamente l'erogatore di gas e aprire porte e finestre. Per evitare scintille che potrebbero innescare incendi, non scollegare dalla presa il frigorifero o altri dispositivi elettrici in funzione.

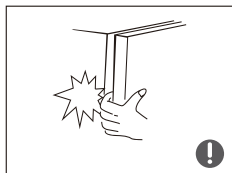


- Non posizionare al di sopra del frigorifero dispositivi elettrici in funzione di tipo diverso da quelli indicati dal produttore.

## 1.4 Avvertenze per l'utilizzo



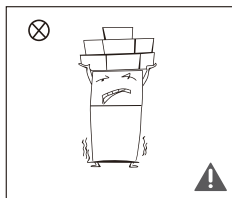
- Non tentare di smontare e rimontare il frigorifero, evitare di danneggiare il circuito refrigerante; la manutenzione dell'elettrodomestico deve essere affidata a personale specializzato.
- In caso di danni al cavo di alimentazione, esso dovrà essere sostituito solo dal produttore, dai suoi addetti alla manutenzione o da altro personale qualificato per evitare rischi.



- Le aperture tra le porte del frigorifero e tra le porte e il corpo del frigorifero sono sottili, per cui occorre fare attenzione a non mettere le mani in tali punti per evitare di schiacciarsi le dita. Chiudere delicatamente le porte del frigorifero per evitare la caduta di oggetti.
- Per evitare il rischio di ferite da congelamento, non estrarre vivande o contenitori con le mani bagnate dal congelatore quando il frigorifero è in funzione.

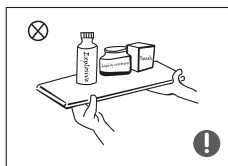


- Non permettere ai bambini di entrare o appoggiarsi al frigorifero, per evitare rischi di soffocamenti o cadute.

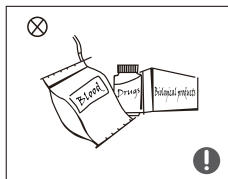


- Non appoggiare sul frigorifero oggetti pesanti, che potrebbero cadere all'apertura o chiusura del frigo, causando lesioni accidentali.
- Scollegare la spina del frigorifero in caso di interruzioni di corrente o di operazioni di pulizia. In tal caso, non ricollegare il frigorifero all'alimentazione per almeno cinque minuti, onde evitare danni al compressore causati da accensioni troppo ravvicinate.

## 1.5 Avvertenze di sistemazione



- Non collocare nel frigorifero sostanze infiammabili, esplosive, volatili o altamente corrosive per evitare danni al prodotto o il rischio di incendi.
- Non sistemare oggetti infiammabili in prossimità del frigorifero per evitare incendi.



- Il frigorifero è destinato all'uso domestico per la conservazione di vivande; non deve essere usato per altri scopi, ad esempio per la conservazione di sangue, farmaci o prodotti biologici ecc.



- Non conservare nel vano congelatore del frigorifero birre, bevande o altri liquidi contenuti in bottiglie o altri contenitori chiusi, per evitare che tali bottiglie e contenitori possano rompersi a seguito del congelamento e causare danni all'apparecchio.

## 1.6 Avvertenze sull'energia

Avvertenza sull'energia

- 1) Gli elettrodomestici refrigeranti non possono funzionare correttamente in caso di esposizione prolungata a temperature al di sotto del valore minimo dell'intervallo di utilizzo previsto (possibilità di scongelamento delle vivande conservate o temperature troppo alte nel vano dei cibi congelati).
- 2) Le bevande frizzanti non devono essere conservate nei congelatori né in vani o scomparti a temperature troppo basse, mentre alcuni prodotti come le bevande congelate non devono essere consumati a temperature troppo basse;
- 3) Non superare i tempi di conservazione consigliati dai produttori per vivande di ogni tipo, in particolare per quelle precongelate, in congelatori o altri vani e compartimenti destinati alla conservazione di cibi congelati;
- 4) Prendere tutte le precauzioni necessarie ad evitare aumenti imprevisti di temperatura delle vivande congelate in caso di attività di sbrinamento del frigorifero, ad esempio avvolgendo tali vivande in più fogli di giornale.
- 5) Eventuali aumenti imprevisti di temperatura delle vivande congelate durante attività manuali di sbrinamento, pulizia o manutenzione potrebbero comprometterne la corretta conservazione.
- 6) Per evitare che i bambini possano restare chiusi negli elettrodomestici, tenere le chiavi di porte e aperture dotati di serrature fuori dalla portata dei bambini e comunque lontano dai frigoriferi.

## 1.7 Avvertenze sullo smaltimento

Il refrigerante e il materiale di schiumatura in ciclopentano usati nel frigo sono infiammabili. Di conseguenza, in caso di demolizione dell'apparecchio, tenere lontano da qualsiasi fonte di calore. L'unità dovrà essere recuperata da un'azienda appositamente specializzata e dotata di certificazione. L'apparecchio, infatti, non può essere trattato attraverso la combustione perché ciò potrebbe causare danni all'ambiente o di altra natura.

Durante lo smaltimento del frigorifero, smontare le porte e rimuovere le guarnizioni di porte e scaffali; sistemare poi porte e scaffali in un luogo sicuro per evitare che i bambini possano restarvi intrappolati.



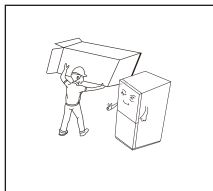
Corretto Smaltimento del prodotto:

Questo marchio indica che il prodotto non dovrebbe essere smaltito con altri rifiuti domestici. Per evitare possibili danni all'ambiente e alla salute umana dovuti a uno scorretto smaltimento dei rifiuti, riciclarli nel rispetto delle norme vigenti per promuovere un riutilizzo sostenibile dei materiali. Per restituire un apparecchio usato, utilizzare i sistemi previsti per la restituzione e raccolta o contattare il rivenditore presso il quale il prodotto è stato acquistato. I rivenditori sono in grado di ricevere tali prodotti e riciclarli in modo ecologicamente sostenibile.

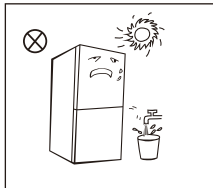


## 2 Uso corretto dei frigoriferi

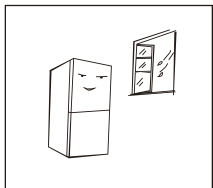
### 2.1 Collocazione



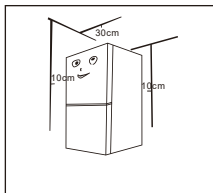
- Prima dell'utilizzo, rimuovere tutti i materiali di imballaggio, le imbottiture della base e quelle in gommapiuma, oltre ai nastri adesivi all'interno del frigorifero; inoltre rimuovere le pellicole protettive sulle porte e il corpo del frigorifero.



- Tenere il prodotto lontano da fonti di calore e non esporlo direttamente alla luce solare. Non collocare il frigorifero in ambienti umidi per prevenire la formazione di ruggine e la riduzione dell'effetto isolante.
- Non spruzzare con liquidi né bagnare il frigo; non collocare il frigorifero in ambienti umidi per non comprometterne le capacità di isolamento elettrico.



- Collocare il frigorifero al chiuso in un ambiente ben ventilato, poggiandolo su un terreno piano e robusto (ruotare le rotelle a sinistra o a destra per regolarne il livellamento in caso di instabilità).

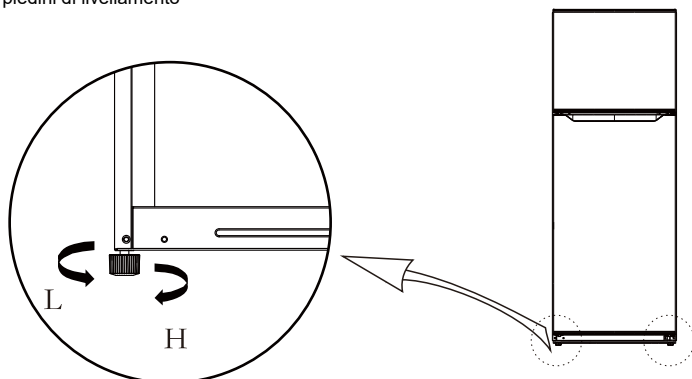


- Lo spazio al di sopra del frigorifero deve essere di almeno 30 cm, mentre esso dovrà essere collocato vicino a una parete con un spazio libero di almeno 10 cm dal muro per facilitare la dissipazione del calore.

- ❗ **Precauzioni prima dell'installazione:**  
Prima dell'installazione e dell'applicazione degli accessori, il frigorifero deve essere scollegato dall'alimentazione elettrica.  
Occorre prendere precauzioni per evitare la caduta della maniglia ed evitare possibili lesioni personali.

## 2.2 Piedini di livellamento

Schema dei piedini di livellamento





(La figura precedente è a solo scopo indicativo. La configurazione effettiva dipende dalle caratteristiche fisiche del prodotto e dalle indicazioni del distributore.)

Procedure di aggiustamento:

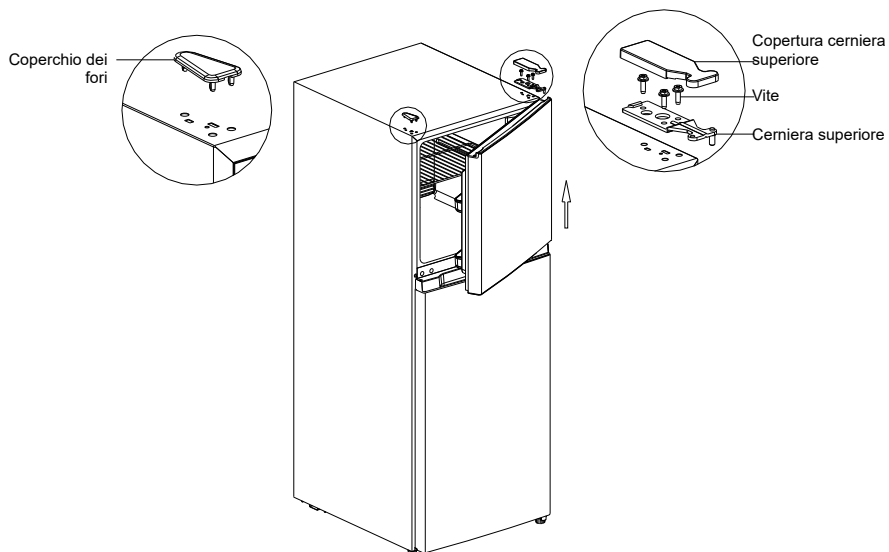
- Ruotare i piedini in senso orario per sollevare il frigorifero;
- Ruotare i piedini in senso antiorario per abbassare il frigorifero;
- Regolare i piedini sinistro e destro seguendo le indicazioni precedenti in modo da ottenere una livellamento orizzontale.

## 2.3 Cambio della porta da destra a sinistra

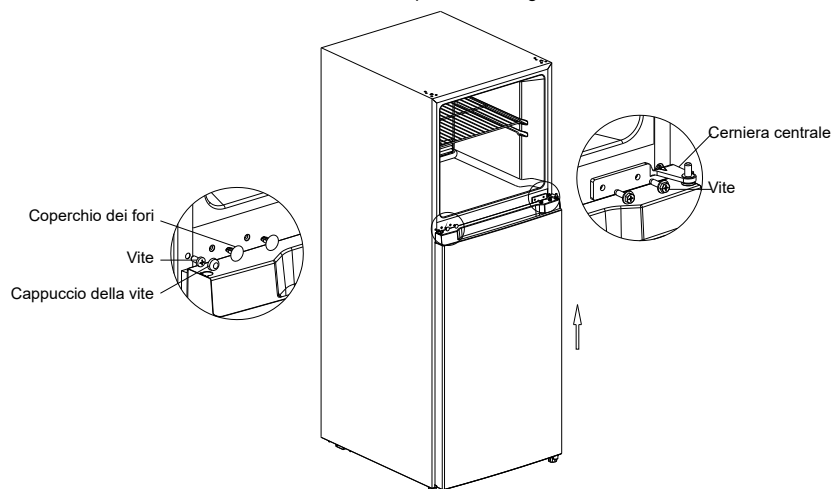
Elenco degli attrezzi necessari all'utente			
	Cacciavite a croce		Spatola Cacciavite piatto
	5/16" Presa e cricchetto		Nastro adesivo

Parti da utilizzare per il retro della porta			
SN	parti	Quantità	Note
1	Cerniera superiore destra	1	Preinstallato sul frigorifero e da utilizzare in caso di cambio porta
2	Copertura cerniera superiore destra	1	Preinstallato sul frigorifero e da utilizzare in caso di cambio porta
3	Manicotto per l'asse della cerniera superiore	1	Preinstallato sul frigorifero e da utilizzare in caso di cambio porta
4	Vite cerniera superiore	3	Preinstallato sul frigorifero e da utilizzare in caso di cambio porta
5	Coperchio dei fori	1	Preinstallato sul frigorifero e da utilizzare in caso di cambio porta
6	Vite cerniera centrale	2	Preinstallato sul frigorifero e da utilizzare in caso di cambio porta
7	Cerniera centrale	1	Preinstallato sul frigorifero e da utilizzare in caso di cambio porta
8	Tappo foro	2	Preinstallato sul frigorifero e da utilizzare in caso di cambio porta
9	Vite trave centrale	1	Preinstallato sul frigorifero e da utilizzare in caso di cambio porta
10	Cappuccio per vite della trave centrale	1	Preinstallato sul frigorifero e da utilizzare in caso di cambio porta
11	Piedino regolabile	1	Preinstallato sul frigorifero e da utilizzare in caso di cambio porta
12	Vite cardine inferiore	3	Preinstallato sul frigorifero e da utilizzare in caso di cambio porta
13	Gruppo cardine inferiore	1	Preinstallato sul frigorifero e da utilizzare in caso di cambio porta
14	Vite copertura terminale inferiore della porta del congelatore	1	Preinstallato sul frigorifero e da utilizzare in caso di cambio porta
15	Blocco della copertura terminale inferiore della porta del congelatore	1	Preinstallato sul frigorifero e da utilizzare in caso di cambio porta
16	Vite della copertura terminale inferiore della porta del frigo	1	Preinstallato sul frigorifero e da utilizzare in caso di cambio porta
17	Blocco della copertura terminale inferiore dello sportello del frigorifero	1	Preinstallato sul frigorifero e da utilizzare in caso di cambio porta
18	Manicotto per l'asse della copertura terminale superiore dello sportello del frigorifero	1	Preinstallato sul frigorifero e da utilizzare in caso di cambio porta

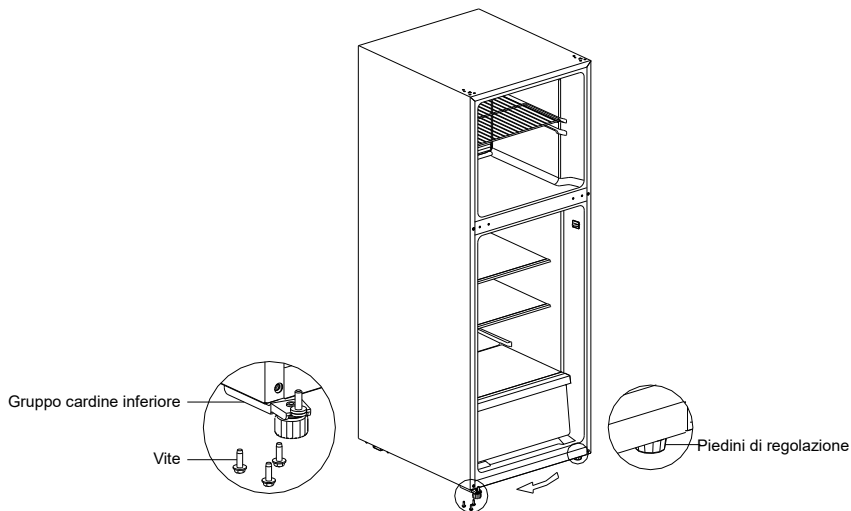
- 1) Spegner l'elettrodomestico prima di effettuare questa operazione. Rimuovere tutte le vivande dagli scaffali della porta.
- 2) Rimuovere il tappo per i fori, il coperchio della cerniera superiore, le viti di montaggio della cerniera superiore, la cerniera superiore e il tubo del manicotto, quindi sollevare lo sportello del congelatore fino a separarlo completamente dal mobile.



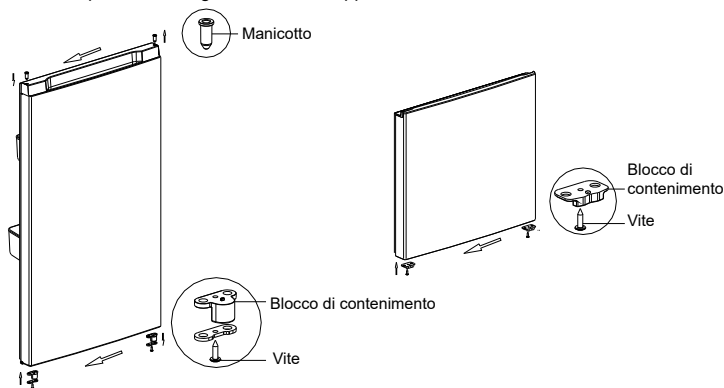
- 3) Svitare le viti della cerniera centrale, rimuovere la cerniera centrale e il tappo a due fori, una vite, un tappo a vite sulla trave centrale e infine rimuovere lo sportello del frigorifero.



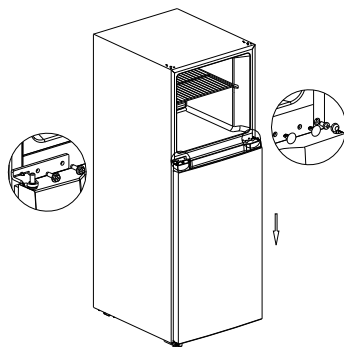
4) Rimuovere i piedini di regolazione, la vite della cerniera inferiore e il gruppo della cerniera inferiore, quindi installare il gruppo della cerniera inferiore sull'altro lato della cassetta e installare i piedini di regolazione sul lato dell'apertura degli stessi.



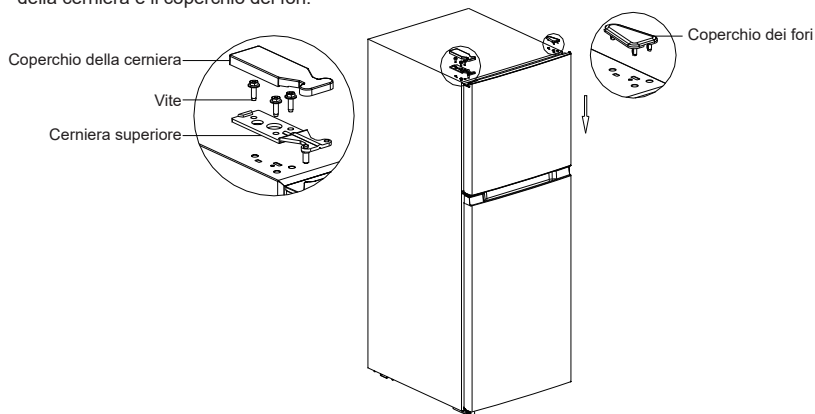
5) Smontare i blocchi di contenimento e le viti sul coperchio inferiore dello sportello del frigorifero e dello sportello del congelatore, installarli sull'altro lato di entrambi gli sportelli; poi installare il tubo del manicotto sul coperchio superiore dello sportello del frigorifero sul lato opposto.



6) Installare lo sportello del frigorifero sulla cerniera inferiore e poi installare la cerniera centrale e i tappi dei fori.



- 7) Installare lo sportello del congelatore sulla cerniera centrale e installare la cerniera superiore, il coperchio della cerniera e il coperchio dei fori.

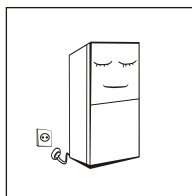


(La figura precedente è a solo scopo indicativo. La configurazione effettiva dipende dalle caratteristiche fisiche del prodotto e dalle indicazioni del distributore.)

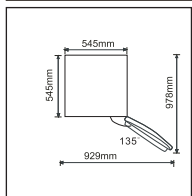
## 2.4 Sostituzione dell'illuminazione

Tutte le operazioni di sostituzione e manutenzione sulle lampade a LED devono essere svolte dal produttore, dal suo personale di assistenza autorizzato o altro personale qualificato.

## 2.5 Di partenza



- Prima di iniziare a usarlo, tenere il frigorifero fermo per due ore prima di collegarlo all'alimentazione.
- Prima di conservare vivande fresche o congelate nel frigorifero, esso deve essere stato in funzione almeno 2 o 3 ore, ovvero oltre 4 ore in estate, quando la temperatura ambientale è molto alta.



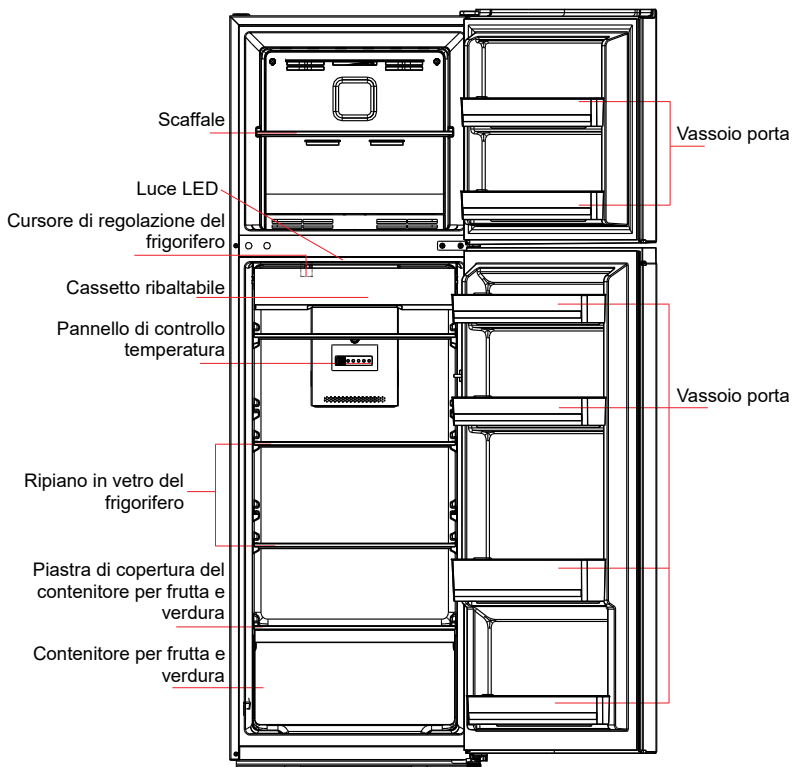
- Lasciare abbastanza spazio per un'adeguata apertura di porte e cassette o comunque rispettare le indicazioni del distributore.

## 2.6 Suggerimenti per il risparmio di corrente

- L'elettrodomestico deve essere collocato nell'area meglio ventilata della stanza, lontano dal calore di altre apparecchiature, da fonti di calore e dalla luce solare diretta.
- Far raffreddare i cibi caldi a temperatura ambiente prima di collocarli nel frigorifero. Un sovraccarico dell'elettrodomestico causa un'usura maggiore del compressore. I cibi che congelano troppo lentamente possono perdere qualità e andare a male.
- Avvolgere le vivande in adeguati contenitori protettivi e asciugarli prima di metterli in frigo. Questo riduce la formazione di brina all'interno dell'elettrodomestico.
- I vani di conservazione del frigorifero non devono essere foderati con fogli di alluminio, carta oleata o tovaglioli di carta. Tali sostanze potrebbero interferire con la circolazione dell'aria fredda, riducendo l'efficienza dell'elettrodomestico.
- Sistemare in modo ordinato le vivande con opportune etichette per evitare ricerche prolungate che costringono a tenere il frigo aperto a lungo. Estrarre in una sola volta tutti le vivande richieste e richiudere subito il frigo.

## 3 Struttura e funzioni

### 3.1 Componenti principali



(La figura precedente è a solo scopo indicativo. La configurazione effettiva dipende dalle caratteristiche fisiche del prodotto e dalle indicazioni del distributore.)

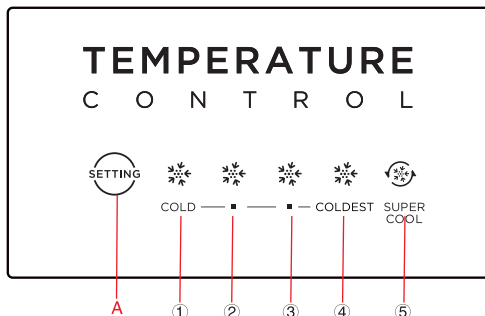
#### Vano refrigerante

- Il vano refrigerante è adatto alla conservazione di frutta, verdura, bevande e altre vivande destinate al consumo a breve termine.
- I cibi cotti non devono essere sistemati nel vano refrigerante senza prima averli fatti raffreddare a temperatura ambiente.
- Si suggerisce di chiudere ermeticamente le vivande prima di sistemarle in frigo.
- Gli scaffali in vetro possono essere sistemati in alto o in basso per ottimizzare lo spazio di conservazione e migliorare l'utilizzo dell'elettrodomestico.

#### Vano congelatore

- Il vano congelatore a bassa temperatura può essere utilizzato per conservare cibi freschi per periodi prolungati, ma è usato soprattutto per la conservazione di cibi congelati e per creare cubetti di ghiaccio.
- Il vano congelatore è adatto alla conservazione di carne, pesce, arancini e altre vivande che non devono essere consumate a breve termine.
- I blocchi di carne sono preferibilmente da dividere in piccoli pezzi per un congelamento rapido e un facile accesso. Le vivande devono essere consumate entro la data di scadenza.

## 3.2 Funzioni



Note:

(La figura precedente è a solo scopo indicativo. La configurazione effettiva dipende dalle caratteristiche fisiche del prodotto e dalle indicazioni del distributore.)

1) Pulsante di impostazione

A: Pulsante di impostazione

2) Schermo del display

LED: Posizione ① (REFRIGERAZIONE NORMALE)

LED: Posizione ②

LED: Posizione ③

LED: Posizione ④ (LIVELLO DI REFRIGERAZIONE ALTO)

LED: Posizione ⑤ (LIVELLO DI REFRIGERAZIONE MASSIMO)

3) Display

Quando il frigorifero è acceso, tutti i LED del display si accendono per 3 secondi, la temperatura predefinita è impostata al livello medio (posizione ③).

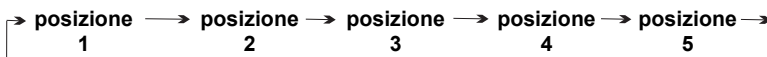
In caso di malfunzionamento, la luce LED mostra il codice di errore (display circolare), la luce LED viene visualizzata come indicato nella tabella seguente:

Codice di errore	Descrizione Errore
LED ⑤, ④ lampeggio	Guasto del sensore di temperatura del vano refrigerante
LED ⑤, ③ lampeggio	Guasto del sensore della temperatura di sbrinamento del vano congelatore
LED ⑤, ② lampeggio	Guasto del sensore di temperatura ambientale

4) Impostazione del livello

Ogni volta che si preme il pulsante di impostazione, si avanza di una posizione, dopo aver impostato la posizione 15s, il frigorifero viene avviato secondo il valore dell'impostazione.

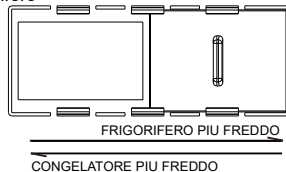
Impostazioni possibili:



5) Funzione Memoria

Il frigorifero è in grado di memorizzare il seguente stato di funzionamento dopo lo spegnimento.

6) Corsore di regolazione del frigorifero



La posizione iniziale del cursore di regolazione è impostata completamente a destra.


Per garantire una migliore esperienza all'utente, si consiglia di spingere il cursore nella posizione destra e di ruotare il tasto di IMPOSTAZIONE nella posizione CENTRALE. Se la temperatura all'interno dello scomparto frigorifero non è abbastanza fredda, controllare se il cursore è impostato a sinistra e in tal caso ruotarlo a destra.

## 4 Manutenzione e cura del frigorifero

### 4.1 Pulizia complessiva

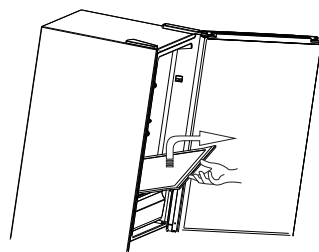
- La polvere dietro al frigorifero e sul pavimento deve essere regolarmente rimossa per migliorare il funzionamento e risparmiare energia.
- Controllare periodicamente l'accumulo di detriti sulla guarnizione della porta. Pulire la guarnizione della porta con un panno morbido imbevuto con acqua e sapone o un detergente diluito.
- L'interno del frigorifero va pulito regolarmente per evitare la formazione di cattivi odori.
- Prima di procedere alla pulizia degli interni, scollegare l'alimentazione, rimuovere tutti i cibi e le bevande, oltre a scaffali, cassetti ecc.
- Pulire l'interno del frigorifero con un panno morbido o una spugna, imbevuti in una soluzione di 250 cl di acqua tiepida con due cucchiaini di bicarbonato di sodio. Poi sciacquare con acqua e pulire tutto perfettamente. Dopo la pulizia, lasciare aperta la porta del frigo e lasciarlo asciugare prima di riattivare l'alimentazione elettrica.
- La pulizia di aree del frigo che sono difficili da raggiungere (quali angoli e aperture strette) va effettuata regolarmente servendosi di uno straccio o un pennello morbido. Se necessario, servirsi di strumenti aggiuntivi di pulizia (ad es., bastoncini) per evitare l'accumulo di sporco e residui contaminanti in tali punti.
- Non usare saponi, detersivi, polveri abrasive, detersivi spray e simili, che potrebbero causare l'accumulo di cattivi odori e anche la contaminazione delle vivande all'interno del frigorifero.
- Pulire il ripiano delle bottiglie, scaffali e cassetti con un panno morbido imbevuto con acqua e sapone o un detergente diluito. Asciugare il tutto con un panno morbido o lasciar asciugare da sé.
- Pulire la superficie esterna del frigorifero con un panno morbido inumidito con acqua e sapone, detersivo e simili, poi asciugare il tutto.
- Non usare spazzole rigide o metalliche, strumenti di pulizia in acciaio, sostanze abrasive (ad es. dentifrici), solventi organici (quali alcol, acetone, acetato di isoamile, ecc.), acqua bollente, sostanze acide o alcaline, che potrebbero danneggiare la superficie e l'interno del frigo. L'acqua bollente e i solventi organici, come il benzene, potrebbero deformare o danneggiare le parti in plastica.
- Durante le operazioni di pulizia, non lavare direttamente con acqua o altri liquidi per evitare il rischio di corto circuito e non compromettere l'isolamento elettrico dell'elettrodomestico.



 Scollegare il frigorifero dall'alimentazione elettrica prima di procedere a sbrinatorio e pulizia.

### 4.2 Pulizia degli scaffali in vetro

- Sollevare la parte anteriore dello scaffale in vetro ed estrarlo;
- Rimuovere lo scaffale in vetro e pulirlo;
- Applicare la procedura inversa per reinstallare lo scaffale in vetro.






### 4.3 Sbrinamento

- Il presente modello di frigorifero si basa sul raffreddamento ad aria per cui esso è dotato di una funzione di sbrinamento automatico. La brina che si forma a causa di variazioni stagionali di temperatura può anche essere rimossa manualmente, dopo aver scollegato l'elettrodomestico dall'alimentazione elettrica e passando un panno asciutto.

### 4.4 Guasti di funzionamento

- Interruzione di corrente: In caso di interruzioni di corrente, il frigorifero è in grado di conservare le vivande contenute al suo interno per diverse ore, anche in estate. Durante l'interruzione di corrente, ridurre le aperture del frigo ed evitare di inserirvi nuove vivande fresche.
- Periodi prolungati di mancato utilizzo: In tal caso il frigorifero deve essere scollegato dall'alimentazione elettrica, lasciare la porta aperta per evitare la formazione di cattivi odori al suo interno.
- Spostamenti: Prima di spostare il frigorifero, svuotarlo completamente, fissare con del nastro adesivo le divisioni in vetro, il contenitore delle verdure, il vano congelatore, i cassetti ecc. Inoltre stringere i piedini di livellamento, chiudere le porte e fissarle con del nastro adesivo. Durante lo spostamento, non capovolgere il frigorifero, né muoverlo orizzontalmente, evitando di sottoporlo a urti e vibrazioni. L'inclinazione durante il trasporto non deve superare i 45°.

 L'elettrodomestico, dopo essere stato avviato, deve funzionare ininterrottamente. In generale, l'utilizzo del frigorifero non deve essere interrotto, per evitare di comprometterne il corretto funzionamento.

## 5 Risoluzione dei problemi

I piccoli problemi elencato di seguito possono essere di solito risolti direttamente dall'utente. Se non possono essere risolti, contattare il servizio post-vendita.

Mancato funzionamento	Controllare che l'elettrodomestico sia collegato all'alimentazione elettrica e che la spina sia ben inserita nella presa. Verificare che la tensione non sia troppo bassa. Verificare che non ci siano interruzioni di corrente o cortocircuiti anche parziali.
Cattivi odori	Le vivande che emanano forte odore devono essere accuratamente protetti. Controllare che non ci siano vivande andate a male. Pulire l'interno del frigorifero.
Usura del compressore per funzionamento prolungato	Un utilizzo prolungato del compressore è normale in estate quando la temperatura ambientale è più elevata. Si suggerisce in ogni caso di non sovraccaricare mai con troppe vivande il frigorifero. Le vivande calde devono essere fatte raffreddare prima di essere messe in frigo. Le porte sono aperte troppo frequentemente.
La luce non si accende	Controllare che il frigorifero sia collegato correttamente all'alimentazione elettrica e che la lampada di illuminazione non sia difettosa.
Non è possibile chiudere correttamente le porte	È possibile che lo sportello sia ostruito da confezioni di cibo. Il frigorifero è inclinato.
Rumore eccessivo	Controllare che il pavimento sia livellato e che il frigorifero vi sia poggiato in modo stabile. Controllare la corretta sistemazione degli accessori.
La guarnizione della porta non garantisce una chiusura ermetica	Rimuovere corpi estranei dalla guarnizione della porta. Riscaldare e raffreddare la guarnizione della porta per ripristinarla (oppure servirsi di un asciugatore elettrico o di una tovaglia bollente per riscaldarla).
Perdite d'acqua	C'è troppo cibo nei vani refrigerante o congelatore oppure le vivande conservate contengono troppa acqua, che causa un eccessivo sbrinamento. Le porte non si chiudono correttamente, causando la formazione di brina a causa dell'ingresso di aria e un aumento dell'acqua per lo sbrinamento.
Mobilità surriscaldato	Questo è normale, a causa della dissipazione di calore del condensatore integrato attraverso l'alloggiamento del frigo. Se l'alloggiamento diventa troppo caldo a causa dell'elevata temperatura ambientale o per la conservazione di troppe vivande, si suggerisce di garantire un'adeguata ventilazione per facilitare la dissipazione del calore.
Condensa sulla superficie	La formazione di condensa sulla superficie esterna e sulla guarnizione della porta è normale quando l'umidità ambientale è elevata. Basta asciugare la condensa con un panno pulito.
Rumori anomali	Ronzio: Il compressore può produrre dei ronzii, in particolare in fase di accensione e spegnimento. Questo è perfettamente normale. Cigolii: Il flusso del refrigerante all'interno dell'elettrodomestico può produrre cigolii, il che è normale.

**Tabella 1 Classi climatiche**

<b>Classe</b>	<b>Simbolo</b>	<b>Intervallo di temperatura ambientale °C</b>
<b>Area temperata estesa</b>	<b>SN</b>	<b>da + 10 a + 32</b>
<b>Temperatura</b>	<b>N</b>	<b>da + 16 a + 32</b>
<b>Area Subtropicale</b>	<b>ST</b>	<b>da + 16 a + 38</b>
<b>Area Tropicale</b>	<b>T</b>	<b>da + 16 a + 43</b>

# ΠΕΡΙΕΧΟΜΕΝΑ

1 Προειδοποιήσεις ασφαλείας.....	1
1.1 Προειδοποίηση .....	1
1.2 Έννοια των προειδοποιητικών συμβόλων ασφαλείας .....	3
1.3 Προειδοποιήσεις σχετικά με τον ηλεκτρισμό.....	3
1.4 Προειδοποιήσεις για χρήση.....	4
1.5 Προειδοποιήσεις για την τοποθέτηση.....	4
1.6 Προειδοποιήσεις για την ενέργεια .....	5
1.7 Προειδοποιήσεις για την απόρριψη.....	5
2 Σωστή χρήση ψυγείων.....	6
2.1 Τοποθέτηση .....	6
2.2 Πόδια οριζοντιότητας.....	7
2.3 Αλλαγή δεξιάς-αριστερής τοποθέτησης πόρτας .....	7
2.4 Αλλαγή λυχνίας.....	10
2.5 Έναρξη λειτουργίας .....	10
2.6 Συμβουλές εξοικονόμησης ενέργειας .....	10
3 Δομή και λειτουργίες .....	11
3.1 Βασικά στοιχεία.....	11
3.2 Λειτουργίες .....	12
4 Συντήρηση και φροντίδα ψυγείων.....	13
4.1 Γενικός καθαρισμός .....	13
4.2 Καθαρισμός του γυάλινου ραφιού.....	13
4.3 Απόψυξη.....	14
4.4 Διακοπή λειτουργίας .....	14
5 Αντιμετώπιση προβλημάτων.....	15

# 1 Προειδοποιήσεις ασφαλείας

## 1.1 Προειδοποίηση



**Προειδοποίηση:** κίνδυνος πυρκαγιάς / εύφλεκτα υλικά

**Αυτή** η συσκευή προορίζεται να χρησιμοποιηθεί σε οικιακές και παρόμοιες εφαρμογές, όπως χώροι κουζίνας προσωπικού σε καταστήματα, γραφεία και άλλα περιβάλλοντα εργασίας, αγροικίες και πελάτες σε ξενοδοχεία, πανδοχεία και άλλα περιβάλλοντα οικιστικού τύπου, περιβάλλοντα τύπου πανσιόν, εφαρμογές τροφοδοσίας και παρόμοιες εφαρμογές που δεν αφορούν την λιανική.

**Η συσκευή** αυτή δεν προορίζεται για χρήση από άτομα (συμπεριλαμβανομένων παιδιών) με μειωμένες φυσικές, αισθητικές ή νοητικές ικανότητες ή έλλειψη εμπειρίας και γνώσης, εκτός εάν βρίσκονται υπό επιτήρηση ή καθοδήγηση σχετικά με τη χρήση της συσκευής από κάποιο άτομο που είναι υπεύθυνο για την ασφάλειά τους. Τα παιδιά πρέπει να επιβλέπονται για να εξασφαλιστεί ότι δεν παίζουν με τη συσκευή.

**Εάν** είναι χαλασμένο το καλώδιο παροχής, πρέπει να αντικατασταθεί από τον κατασκευαστή, κάποιον τεχνικό αντιπρόσωπό του ή αντίστοιχα καταρτισμένα άτομα προς αποφυγή κινδύνων.

**Μην** αποθηκεύετε εκρηκτικές ύλες, όπως δοχεία αεροζόλ με εύφλεκτο προωθητικό, σε αυτήν τη συσκευή.

**Η συσκευή** πρέπει να αποσυνδέεται μετά τη χρήση και πριν από συντήρηση που πραγματοποιεί ο χρήστης στη συσκευή.

**ΠΡΟΕΙΔΟΠΟΙΗΣΗ:** Διατηρείτε τα ανοίγματα εξαιρισμού, στο περίβλημα της συσκευής ή στην ενσωματωμένη δομή, ελεύθερα από εμπόδια.

**ΠΡΟΕΙΔΟΠΟΙΗΣΗ:** Μην χρησιμοποιείτε μηχανικές συσκευές ή άλλα μέσα για να επιταχύνετε τη διαδικασία απόψυξης, εκτός από εκείνες που συνιστά ο κατασκευαστής.

**ΠΡΟΕΙΔΟΠΟΙΗΣΗ:** Μην επιφέρετε βλάβη στο κύκλωμα ψυκτικού.

**ΠΡΟΕΙΔΟΠΟΙΗΣΗ:** Μην χρησιμοποιείτε ηλεκτρικές συσκευές μέσα στους θαλάμους αποθήκευσης τροφίμων της συσκευής, εκτός εάν είναι του τύπου που συνιστά ο κατασκευαστής.

**ΠΡΟΕΙΔΟΠΟΙΗΣΗ:** Παρακαλούμε απορρίψτε το ψυγείο σύμφωνα με τις τοπικές ρυθμιστικές αρχές, γιατί χρησιμοποιεί εύφλεκτο αέριο και ψυκτικό.

**ΠΡΟΕΙΔΟΠΟΙΗΣΗ:** Όταν τοποθετείτε τη συσκευή, βεβαιωθείτε ότι το καλώδιο τροφοδοσίας δεν παγιδύεται ούτε υπόκειται σε βλάβη.

**ΠΡΟΕΙΔΟΠΟΙΗΣΗ:** Μην τοποθετείτε πολλά φορητά πολύτριζα ή φορητά τροφοδοτικά στο πίσω μέρος της συσκευής.

**Μην** χρησιμοποιείτε καλώδια επέκτασης ή μη γειωμένους (δύο ακίδων) μετασχηματιστές.

**ΚΙΝΔΥΝΟΣ:** Κίνδυνος παγίδευσης παιδιών. Πριν πετάξετε το παλιό σας ψυγείο ή καταψύκτη:

– Βγάλετε τις πόρτες.

– Αφήστε τα ράφια στη θέση τους, ώστε τα παιδιά να μην μπορούν εύκολα να σκαρφλώσουν μέσα.






**Το** ψυγείο πρέπει να αποσυνδεθεί από την πηγή ηλεκτρικού ρεύματος πριν επιχειρήσετε την εγκατάσταση των εξαρτημάτων.

**Το ψυκτικό** και το αφρώδες υλικό κυκλοπεντανίου που χρησιμοποιείται για τη συσκευή είναι εύφλεκτα. Επομένως, όταν η συσκευή απορρίπτεται, πρέπει να διατηρείται μακριά από οποιαδήποτε πηγή φωτιάς και να ανακτάται από μια ειδική εταιρεία ανάκτησης με αντίστοιχες πιστοποιήσεις που δεν αφορούν την απόρριψη με καύση, έτσι ώστε να αποφευχθεί η ζημιά στο περιβάλλον ή οποιαδήποτε άλλη βλάβη.

**Τα παιδιά** πρέπει να επιβλέπονται για να εξασφαλιστεί ότι δεν παίζουν με τη συσκευή.

**Για** το πρότυπο EN: Αυτή η συσκευή μπορεί να χρησιμοποιηθεί από παιδιά από 8 ετών και πάνω και άτομα με μειωμένες σωματικές, αισθητήριες ή νοητικές ικανότητες ή έλλειψη εμπειρίας και γνώσεων, αν τους έχει παρασχεθεί επίβλεψη ή καθοδήγηση σχετικά με την ασφαλή χρήση της συσκευής, και κατανοούν τους κινδύνους που εμπλέκονται. Τα παιδιά δεν επιτρέπεται να παίζουν με τη συσκευή. Ο καθαρισμός και η συντήρηση από τον χρήστη δεν θα πρέπει να γίνεται από παιδιά χωρίς επιτήρηση. Τα παιδιά ηλικίας από 3 έως 8 ετών επιτρέπεται να γεμίζουν και να αδειάζουν ψυκτικές συσκευές.




**Για** να αποφύγετε τη μόλυνση των τροφίμων, τηρείτε τις παρακάτω οδηγίες:

- Το άνοιγμα της πόρτας για μεγάλα χρονικά διαστήματα μπορεί να προκαλέσει σημαντική αύξηση της θερμοκρασίας στους θαλάμους της συσκευής.
- Καθαρίζετε τακτικά επιφάνειες που μπορούν να έρθουν σε επαφή με τρόφιμα και τα προσβάσιμα συστήματα αποστράγγισης.
- Καθαρίζετε τα δοχεία νερού εάν δεν έχουν χρησιμοποιηθεί για 48 ώρες. Ξεπλύνετε το σύστημα νερού που είναι συνδεδεμένο σε παροχή νερού εάν δεν έχει αντληθεί νερό για 5 ημέρες. (σημείωση 1)
- Φυλάσσετε το ωμό κρέας και ψάρι σε κατάλληλα δοχεία στο ψυγείο, έτσι ώστε να μην έρχονται σε επαφή ή να στάζουν σε άλλα τρόφιμα.
- Οι θάλαμοι   κατάψυξης δύο αστέρων είναι κατάλληλοι για την αποθήκευση προ-κατεψυγμένων τροφίμων, την αποθήκευση ή την παρασκευή παγωτού και την κατασκευή παγοκύβων. (σημείωση 2)
- Οι θάλαμοι ενός , δύο  και τριών  αστέρων δεν είναι κατάλληλοι για την κατάψυξη νωπών τροφίμων. (σημείωση 3)
- Εάν η ψυκτική συσκευή πρόκειται να παραμείνει κενή για μεγάλο χρονικό διάστημα, απενεργοποιήστε, ξεπαγώστε, καθαρίστε, στεγνώστε και αφήστε την πόρτα ανοιχτή για να αποτρέψετε την ανάπτυξη μούχλας μέσα στη συσκευή.

Σημείωση 1, 2, 3: Επιβεβαιώστε εάν ισχύει ανάλογα με τον τύπο των θαλάμων του προϊόντος σας.

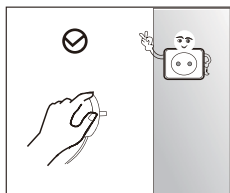
**Οποιαδήποτε** αντικατάσταση ή συντήρηση των λυχνιών LED προορίζεται να εκτελείται από τον κατασκευαστή, τον αντιπρόσωπο σέρβις ή αντίστοιχα εξουσιοδοτημένα άτομα.

## 1.2 Έννοια των προειδοποιητικών συμβόλων ασφαλείας

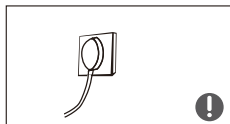
 Σύμβολο απαγόρευσης	Αυτό είναι ένα σύμβολο απαγόρευσης. Οποιαδήποτε μη συμμόρφωση με τις οδηγίες που σημειώνονται με αυτό το σύμβολο μπορεί να οδηγήσει σε ζημιά στο προϊόν ή να θέσει σε κίνδυνο την προσωπική ασφάλεια του χρήστη.
 Σύμβολο προειδοποίησης	Αυτό είναι ένα σύμβολο προειδοποίησης. Απαιτείται να λειτουργεί με αυστηρή τήρηση των οδηγιών που σημειώνονται με αυτό το σύμβολο, ειδάλλως μπορεί να προκληθεί ζημιά στο προϊόν ή προσωπικός τραυματισμός.
 Σύμβολο σημείωσης	Αυτό είναι ένα σύμβολο προσοχής. Οι οδηγίες που επισημαίνονται με αυτό το σύμβολο απαιτούν ιδιαίτερη προσοχή. Ανεπαρκής προσοχή μπορεί να οδηγήσει σε ελαφρύ ή μέτριο τραυματισμό ή ζημιά στο προϊόν.

Αυτό το εγχειρίδιο περιέχει πολλές σημαντικές πληροφορίες ασφαλείας που πρέπει να τηρούνται από τους χρήστες.

## 1.3 Προειδοποιήσεις σχετικά με τον ηλεκτρισμό



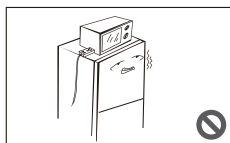
- Μην τραβάτε το καλώδιο τροφοδοσίας όταν τραβάτε το βύσμα του ψυγείου. Πιάστε σταθερά το βύσμα και βγάλτε το απευθείας από την πρίζα.
- Για να διασφαλίσετε την ασφαλή χρήση, μην επιφέρετε βλάβη στο καλώδιο τροφοδοσίας και μην χρησιμοποιείτε το καλώδιο τροφοδοσίας όταν είναι κατεστραμμένο ή φθαρμένο.



- Χρησιμοποιήστε μια αποκλειστική πρίζα ρεύματος που δεν μοιράζεται η συσκευή με άλλες ηλεκτρικές συσκευές. Το φις τροφοδοσίας πρέπει να έρχεται σε επαφή σταθερά με την πρίζα, διαφορετικά μπορεί να προκληθεί πυρκαγιά.
- Βεβαιωθείτε ότι το ηλεκτρόδιο γείωσης της πρίζας είναι εξοπλισμένο με μια αξιόπιστη γραμμή γείωσης.

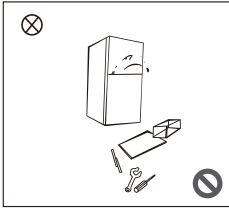


- Απενεργοποιήστε τη βαλβίδα του διαρρέοντος αερίου και μετά ανοίξτε τις πόρτες και τα παράθυρα σε περίπτωση διαρροής αερίου και άλλων αερίων. Μην αποσυνδέετε το ψυγείο και άλλες ηλεκτρικές συσκευές από την πρίζα, δεδομένου ότι ο σπινθήρας μπορεί να προκαλέσει πυρκαγιά.



- Μην χρησιμοποιείτε ηλεκτρικές συσκευές πάνω στην συσκευή, εκτός εάν είναι του τύπου που συνιστά ο κατασκευαστής.

## 1.4 Προειδοποιήσεις για χρήση



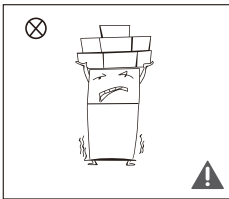
- Μην αποσυναρμολογείτε ή ανακατασκευάζετε αυθαίρετα το ψυγείο και μην επιφέρετε βλάβη στο κύκλωμα ψυκτικού. Η συντήρηση της συσκευής πρέπει να γίνεται από ειδικό.
- Καλώδιο τροφοδοσίας που έχει υποστεί βλάβη πρέπει να αντικατασταθεί από τον κατασκευαστή, το τμήμα συντήρησής του ή σχετικούς επαγγελματίες για να αποφευχθεί ο κίνδυνος.



- Τα κενά μεταξύ των θυρών του ψυγείου και μεταξύ των θυρών και του σώματος του ψυγείου είναι μικρά. Προσέξτε να μην βάζετε το χέρι σας σε αυτές τις περιοχές για να αποφύγετε τη συμπίεση του δακτύλου. Να χρησιμοποιείτε χαλαρές κινήσεις όταν κλείνετε την πόρτα του ψυγείου για να αποφύγετε την πτώση αντικειμένων.
- Μην παίρνετε τρόφιμα ή δοχεία με βρεγμένα χέρια από το θάλαμο κατάψυξης όταν λειτουργεί το ψυγείο, ειδικά μεταλλικά δοχεία, ώστε να αποφύγετε τα κρουπαγήματα.

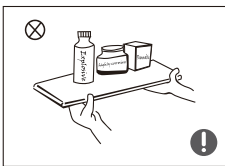


- Μην αφήνετε κανένα παιδί να μπει μέσα στο ψυγείο ή να ανέβει σε αυτό, ειδάλλως μπορεί να προκληθεί ασφυξία ή τραυματισμός λόγω πτώσης του παιδιού.

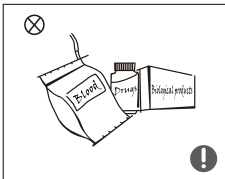


- Μην τοποθετείτε βαριά αντικείμενα στο πάνω μέρος του ψυγείου, λαμβάνοντας υπόψη ότι ενδέχεται να πέσουν αντικείμενα όταν στέκεστε κοντά ή ανοίγετε την πόρτα και ενδέχεται να προκληθούν τραυματισμοί.
- Βγάλτε το βύσμα από την πρίζα σε περίπτωση διακοπής ρεύματος ή καθαρισμού. Μην συνδέετε το ψυγείο στην παροχή ρεύματος για διάστημα πέντε λεπτών προκειμένου να αποφύγετε ζημιές στον συμπιεστή λόγω διαδοχικών εκκινήσεων.

## 1.5 Προειδοποιήσεις για την τοποθέτηση



- Μην τοποθετείτε εύφλεκτα, εκρηκτικά, πτητικά και πολύ διαβρωτικά αντικείμενα στο ψυγείο για να αποφύγετε ζημιές στο προϊόν ή πυρκαγιές.
- Μην τοποθετείτε εύφλεκτα αντικείμενα κοντά στο ψυγείο για να αποφύγετε πυρκαγιές.



- Το ψυγείο προορίζεται για οικιακή χρήση, όπως αποθήκευση τροφίμων. Δεν πρέπει να χρησιμοποιείται για άλλους σκοπούς, όπως αποθήκευση αίματος, φαρμάκων ή βιολογικών προϊόντων, κ.λπ.





- Μην αποθηκεύετε μπίρα, ποτά ή άλλα υγρά που περιέχονται σε φιάλες ή κλειστά δοχεία στον θάλαμο κατάψυξης του ψυγείου. Διαφορετικά, οι φιάλες ή τα κλειστά δοχεία ενδέχεται να σπάσουν λόγω ψύξης και να προκαλέσουν ζημιές.

## 1.6 Προειδοποιήσεις για την ενέργεια

Προειδοποίηση για την ενέργεια

- 1) Οι ψυκτικές συσκευές ενδέχεται να μην λειτουργούν με συνέπεια (πιθανότητα απόψυξης του περιεχομένου ή υπερβολικής αύξησης της θερμοκρασίας στον θάλαμο των κατεψυγμένων τροφίμων) όταν τοποθετούνται για μεγάλο χρονικό διάστημα σε θερμοκρασίες μικρότερες του κατώτατου ορίου για το οποίο έχει σχεδιαστεί η ψυκτική συσκευή.
- 2) Είναι γεγονός ότι τα αναβράζοντα ποτά δεν πρέπει να αποθηκεύονται σε θαλάμους ή θήκες καταψύκτη τροφίμων ή σε θαλάμους ή θήκες χαμηλής θερμοκρασίας, όπως και ότι ορισμένα προϊόντα, όπως παγωμένα νερά, δεν πρέπει να καταναλώνονται πολύ κρύα.
- 3) Είναι αναγκαίο να μην γίνεται υπέρβαση του χρόνου αποθήκευσης που συνιστάται από τους κατασκευαστές τροφίμων για οποιοδήποτε είδος τροφής, και ιδιαίτερα για εμπορικά διαθέσιμα τρόφιμα ταχείας κατάψυξης, σε καταψύκτες τροφίμων και θαλάμους ή θήκες κατεψυγμένων τροφίμων.
- 4) Είναι απαραίτητες προφυλάξεις για να αποφευχθεί η υπερβολική αύξηση της θερμοκρασίας των κατεψυγμένων τροφίμων κατά την απόψυξη της ψυκτικής συσκευής, όπως τύλιγμα των κατεψυγμένων τροφίμων σε πολλά φύλλα εφημερίδων.
- 5) Είναι γεγονός ότι η αύξηση της θερμοκρασίας των κατεψυγμένων τροφίμων κατά τη μη αυτόματη απόψυξη, συντήρηση ή καθαρισμό μπορεί να μειώσει τη διάρκεια αποθήκευσης.
- 6) Είναι αναγκαίο, για πόρτες ή καπάκια εφοδιασμένα με κλειδαριές και κλειδιά, τα κλειδιά να φυλάσσονται μακριά από παιδιά και όχι κοντά στην ψυκτική συσκευή, προκειμένου να αποφευχθεί ο κίνδυνος να κλειδωθούν τα παιδιά μέσα στις συσκευές.

## 1.7 Προειδοποιήσεις για την απόρριψη

Το ψυκτικό και το αφρώδες υλικό κυκλοπεντανίου που χρησιμοποιείται για το ψυγείο είναι εύφλεκτα. Επομένως, όταν το ψυγείο απορρίπτεται, πρέπει να διατηρείται μακριά από οποιαδήποτε πηγή φωτιάς και να ανακτάται από μια ειδική εταιρεία ανάκτησης με αντίστοιχες πιστοποιήσεις που δεν αφορούν την απόρριψη με καύση, έτσι ώστε να αποφευχθεί η ζημιά στο περιβάλλον ή οποιαδήποτε άλλη βλάβη.



Όταν το ψυγείο απορριφθεί, απουσαρμολογήστε τις πόρτες και αφαιρέστε το παρέμβυσμα της πόρτας και τα ράφια. Βάλτε τις πόρτες και τα ράφια σε κατάλληλο μέρος, ώστε να αποφευχθεί η παγίδευση κάποιου παιδιού.

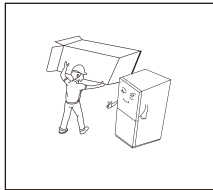


Σωστή απόρριψη προϊόντος:

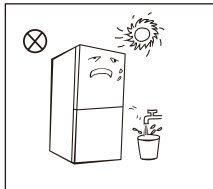
Η παρούσα σήμανση δείχνει ότι το προϊόν αυτό δεν πρέπει να απορρίπτεται με τα οικιακά απορρίμματα. Για να αποφύγετε πιθανή βλάβη στο περιβάλλον ή την ανθρώπινη υγεία από την ανεξέλεγκτη διάθεση αποβλήτων, ανακυκλώστε το υπεύθυνα για να προωθήσετε την αειφόρο επαναχρησιμοποίηση υλικών πόρων. Για να επιστρέψετε τη χρησιμοποιημένη συσκευή σας, χρησιμοποιήστε τα συστήματα επιστροφής και συλλογής ή επικοινωνήστε με το κατάστημα λιανικής όπου αγοράστηκε το προϊόν. Μπορούν να πάρουν αυτό το προϊόν για περιβαλλοντική ασφαλή ανακύκλωση.

## 2 Σωστή χρήση ψυγείων

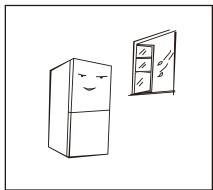
### 2.1 Τοποθέτηση



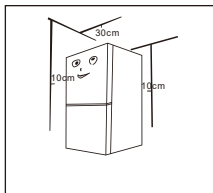
- Πριν από τη χρήση, αφαιρέστε όλα τα υλικά συσκευασίας, συμπεριλαμβανομένων των επιθεμάτων του κάτω μέρους, των επιθεμάτων από αφρώδες υλικό και των ταινιών στο εσωτερικό του ψυγείου. Ξεκολλήστε την προστατευτική μεμβράνη από τις πόρτες και το σώμα του ψυγείου.



- Φυλάσσετε μακριά από τη θερμότητα και αποφύγετε το άμεσο ηλιακό φως. Μην τοποθετείτε τον καταψύκτη σε μέρη με υγρασία ή νερά για να αποτρέψετε τη σκουριά ή την υποβάθμιση της μόνωσης.
- Μην ψεκάζετε και μην πλένετε το ψυγείο. Μην τοποθετείτε το ψυγείο σε υγρά μέρη όπου εύκολα μπορεί να πισιλιστεί με νερό, ώστε να μην επηρεαστεί η ηλεκτρική μόνωση του ψυγείου.



- Το ψυγείο πρέπει να τοποθετείται σε καλά αεριζόμενο εσωτερικό χώρο. Το δάπεδο πρέπει να είναι επίπεδο και ανθεκτικό (σε περίπτωση αστάθειας, περιστρέψτε τον τροχό ισοπέδωσης προς τα αριστερά ή τα δεξιά).



- Ο χώρος πάνω από το ψυγείο πρέπει να είναι μεγαλύτερος από 30 cm και το ψυγείο πρέπει να τοποθετείται σε τοίχο με ελεύθερη απόσταση μεγαλύτερη από 10 cm για να διευκολύνεται η απαγωγή θερμότητας.

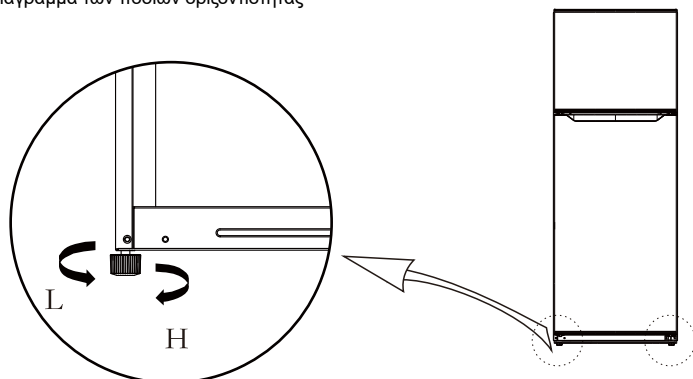
#### ! Προφυλάξεις πριν την εγκατάσταση:

Πριν από την εγκατάσταση ή τη ρύθμιση των εξαρτημάτων, πρέπει να διασφαλίζεται ότι το ψυγείο είναι αποσυνδεδεμένο από την τροφοδοσία.

Πρέπει να λαμβάνονται προφυλάξεις για να αποφευχθεί η πρόκληση τραυματισμού από τυχόν πτώση της λαβής.

## 2.2 Πόδια οριζοντιότητας

Σχηματικό διάγραμμα των ποδιών οριζοντιότητας



(Η παραπάνω εικόνα είναι μόνο για αναφορά. Η διαμόρφωση εξαρτάται από το εκάστοτε προϊόν ή τη δήλωση του διανομέα.)

Διαδικασίες ρύθμισης:

- Γυρίστε τα ποδαράκια δεξιόστροφα για να υψώσετε το ψυγείο.
- Γυρίστε τα ποδαράκια αριστερόστροφα για να χαμηλώσετε το ψυγείο.
- Ρυθμίστε το δεξί και το αριστερό ποδαράκι με βάση τις παραπάνω διαδικασίες ώστε να βρίσκονται στο ίδιο οριζόντιο επίπεδο.

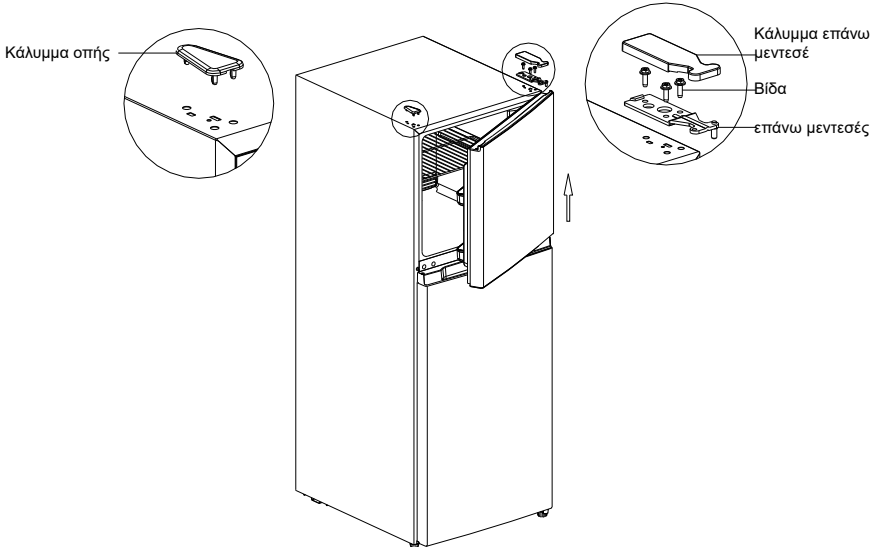
## 2.3 Αλλαγή δεξιάς-αριστερής τοποθέτησης πόρτας

Λίστα εργαλείων που πρέπει να παρέχονται από τον χρήστη			
	Σταυροκατσαβίδο		Σπάτουλα Κατσαβίδι με λεπτή λάμα
	5/16" Κλειδί και κασάνια		Ταινία κάλυψης

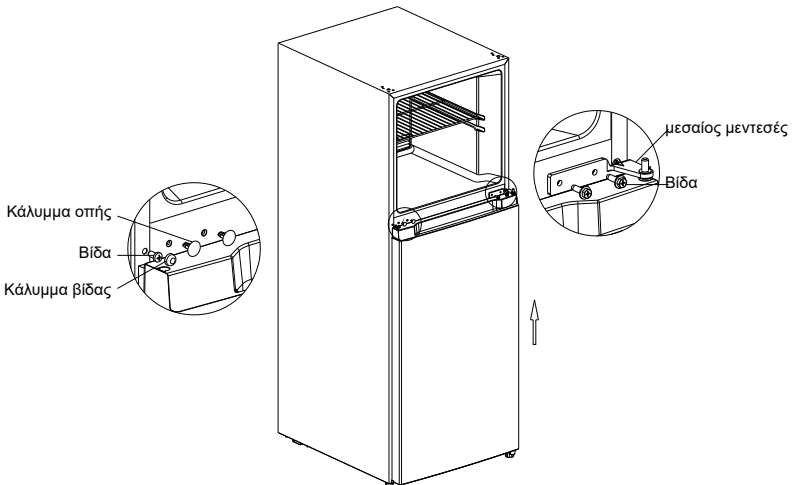
Αναλλακτικά που πρέπει να χρησιμοποιηθούν για αντιστροφή του ανοίγματος πόρτας			
SN	εξαρτήματα	Ποσότητα	Σημειώσεις
1	Επάνω δεξιός μεντεσέ	1	Προεγκατεστημένος στο ψυγείο και για χρήση κατά την αντιστροφή της πόρτας
2	Κάλυμμα επάνω δεξιού μεντεσέ	1	Προεγκατεστημένος στο ψυγείο και για χρήση κατά την αντιστροφή της πόρτας
3	Περιβλήμα άξονα επάνω μεντεσέ	1	Προεγκατεστημένος στο ψυγείο και για χρήση κατά την αντιστροφή της πόρτας
4	Βίδα επάνω μεντεσέ	3	Προεγκατεστημένος στο ψυγείο και για χρήση κατά την αντιστροφή της πόρτας
5	Κάλυμμα οπής	1	Προεγκατεστημένος στο ψυγείο και για χρήση κατά την αντιστροφή της πόρτας
6	Βίδα μεσαίου μεντεσέ	2	Προεγκατεστημένος στο ψυγείο και για χρήση κατά την αντιστροφή της πόρτας
7	μεσαίος μεντεσές	1	Προεγκατεστημένος στο ψυγείο και για χρήση κατά την αντιστροφή της πόρτας
8	Βύσμα οπής	2	Προεγκατεστημένος στο ψυγείο και για χρήση κατά την αντιστροφή της πόρτας
9	Βίδα μεσαίας δοκού	1	Προεγκατεστημένος στο ψυγείο και για χρήση κατά την αντιστροφή της πόρτας
10	Πύμα βίδας μεσαίας δοκού	1	Προεγκατεστημένος στο ψυγείο και για χρήση κατά την αντιστροφή της πόρτας
11	Ρυθμιζόμενο σκέλος	1	Προεγκατεστημένος στο ψυγείο και για χρήση κατά την αντιστροφή της πόρτας
12	Βίδα κάτω μεντεσέ	3	Προεγκατεστημένος στο ψυγείο και για χρήση κατά την αντιστροφή της πόρτας
13	Συναρμολόγηση κάτω μεντεσέ	1	Προεγκατεστημένος στο ψυγείο και για χρήση κατά την αντιστροφή της πόρτας
14	Βίδα καλύμματος κάτω άκρου της πόρτας καταψύκτη	1	Προεγκατεστημένος στο ψυγείο και για χρήση κατά την αντιστροφή της πόρτας
15	Στοπ καλύμματος κάτω άκρου πόρτας κατάψυξης	1	Προεγκατεστημένος στο ψυγείο και για χρήση κατά την αντιστροφή της πόρτας

Ανταλλακτικά που πρέπει να χρησιμοποιηθούν για αντιστροφή του ανοίγματος πόρτας			
SN	εξαρτήματα	Ποσότητα	Σημειώσεις
16	Βίδα καλύμματος κάτω άκρου πόρτας ψυγείου	1	Προεγκατεστημένος στο ψυγείο και για χρήση κατά την αντιστροφή της πόρτας
17	Στοιβ καλύμματος κάτω άκρου πόρτας ψυγείου	1	Προεγκατεστημένος στο ψυγείο και για χρήση κατά την αντιστροφή της πόρτας
18	Περιβλήμα καλύμματος άξονα επάνω άκρου πόρτας ψυγείου	1	Προεγκατεστημένος στο ψυγείο και για χρήση κατά την αντιστροφή της πόρτας

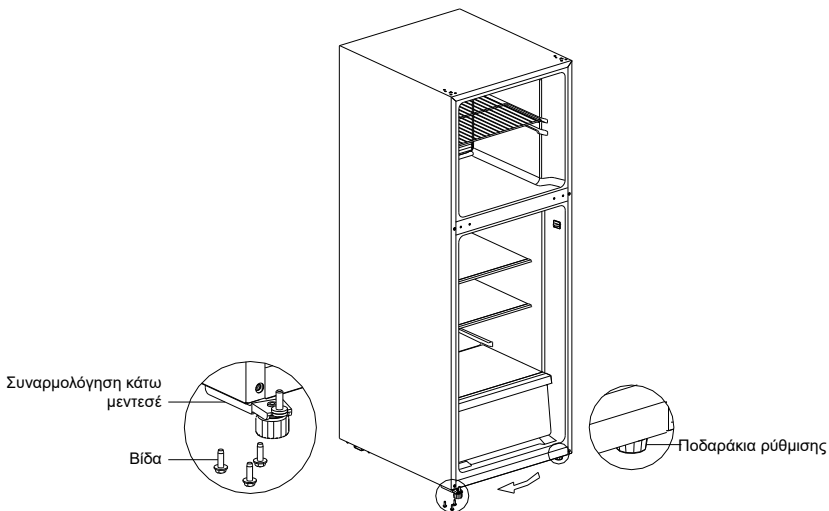
- 1) Απενεργοποιήστε τη συσκευή προτού εκτελέσετε αυτήν τη λειτουργία. Αφαιρέστε όλα τα τρόφιμα από τα ράφια της πόρτας.
- 2) Αφαιρέστε το πώμα της οπής, το επάνω κάλυμμα του μεντεσέ, τις βίδες συναρμολόγησης του επάνω μεντεσέ, τον επάνω μεντεσέ και τον σωλήνα του περιβλήματος, στη συνέχεια σηκώστε την πόρτα του καταψύκτη μέχρι να αποσπαστεί πλήρως από το περιβλήμα.



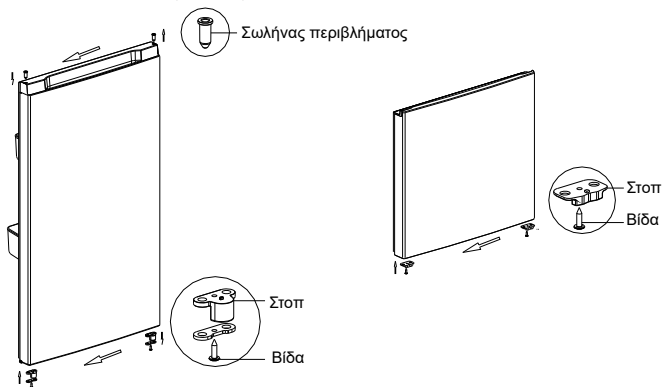
- 3) Ξεβιδώστε τις βίδες μεσαίου μεντεσέ, αφαιρέστε τον μεσαίο μεντεσέ και αφαιρέστε το βύσμα των δύο οπών, μια βίδα, ένα πώμα βίδας στη μεσαία δοκό και μετά αφαιρέστε την πόρτα του ψυγείου.



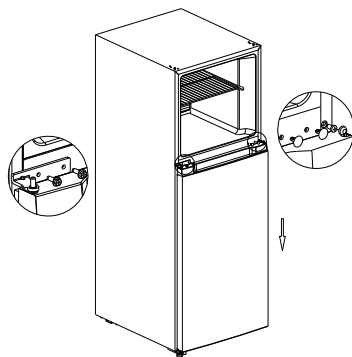
4) Αφαιρέστε τα ποδαράκια ρύθμισης, την κάτω βίδα μεντεσέ και τη συναρμολόγηση κάτω μεντεσέ και, στη συνέχεια, εγκαταστήστε τη συναρμολόγηση κάτω μεντεσέ στην άλλη πλευρά του πλαισίου και τοποθετήστε τα ποδαράκια ρύθμισης στην πλευρά του ανοίγματος των ποδιών ρύθμισης.



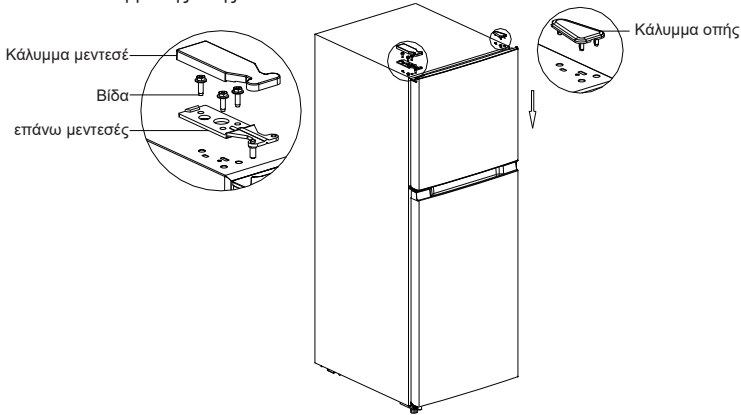
5) Αφαιρέστε τα στοπ και τις βίδες από το κάτω κάλυμμα της πόρτας του ψυγείου και της κατάψυξης και εγκαταστήστε τα στην άλλη πλευρά και των δύο πορτών. Στη συνέχεια, εγκαταστήστε τον σωλήνα περιβλήματος στο επάνω κάλυμμα της πόρτας του ψυγείου στην αντίθετη πλευρά.



6) Εγκαταστήστε την πόρτα του ψυγείου στον κάτω μεντεσέ και, στη συνέχεια, τοποθετήστε τον μεσαίο μεντεσέ και τα πώματα οπών.



- 7) Τοποθετήστε την πόρτα κατάψυξης στον μεσαίο μεντεσέ και τοποθετήστε τον επάνω μεντεσέ, το κάλυμμα μεντεσέ και το κάλυμμα της οπής.

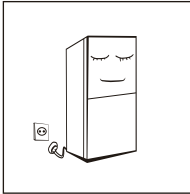


(Η παραπάνω εικόνα είναι μόνο για αναφορά. Η διαμόρφωση εξαρτάται από το εκάστοτε προϊόν ή τη δήλωση του διανομέα.)

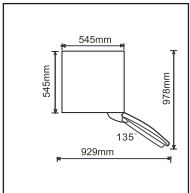
## 2.4 Αλλαγή λυχνίας

Οποιαδήποτε αντικατάσταση ή συντήρηση των λυχνιών LED προορίζεται να εκτελείται από τον κατασκευαστή, τον αντιπρόσωπο σέρβις ή αντίστοιχα εξουσιοδοτημένα άτομα.

## 2.5 Έναρξη λειτουργίας



- Πριν από την αρχική έναρξη λειτουργίας, αφήστε το ψυγείο ακίνητο για δύο ώρες προτού το συνδέσετε στην παροχή ρεύματος.
- Πριν από την τοποθέτηση φρέσκων ή κατεψυγμένων τροφίμων, το ψυγείο πρέπει να έχει λειτουργήσει για 2-3 ώρες ή για πάνω από 4 ώρες το καλοκαίρι όταν η θερμοκρασία περιβάλλοντος είναι υψηλή.
- Προβλέψτε αρκετό χώρο για άνετο άνοιγμα των πορτών και των συρταριών.

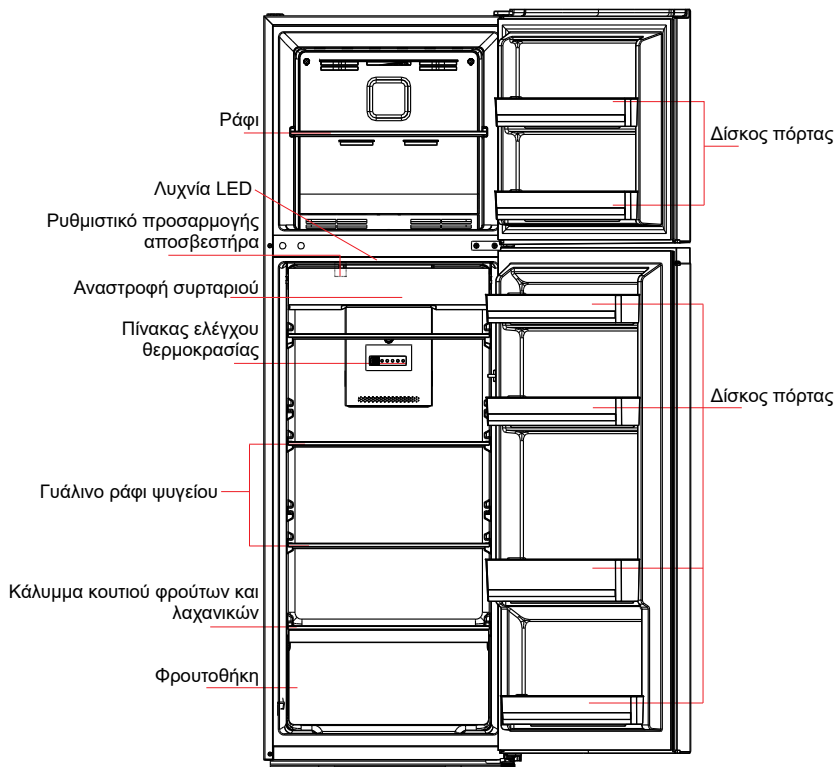


## 2.6 Συμβουλές εξοικονόμησης ενέργειας

- Η συσκευή πρέπει να βρίσκεται στην πιο δροσερή περιοχή του δωματίου, μακριά από συσκευές παραγωγής θερμότητας ή αγωγούς θέρμανσης και μακριά από το άμεσο ηλιακό φως.
- Αφήστε τα ζεστά τρόφιμα να κρυώσουν σε θερμοκρασία δωματίου πριν τα τοποθετήσετε στη συσκευή. Το υπερβολικό γέμισμα της συσκευής αναγκάζει τον συμπιεστή να λειτουργεί περισσότερο. Τα τρόφιμα που παγώνουν πολύ αργά μπορεί να χάσουν την ποιότητα ή να χαλάσουν.
- Βεβαιωθείτε ότι έχετε τυλίξει σωστά τα τρόφιμα και στεγνώστε τα δοχεία σκουπιζοντάς τα πριν τα τοποθετήσετε στη συσκευή. Αυτό μειώνει τη συσσώρευση παγετού μέσα στη συσκευή.
- Ο κάδος αποθήκευσης της συσκευής δεν πρέπει να είναι επενδεδυμένος με αλουμινόχαρτο, λαδόχαρτο ή χαρτί. Οι επενδύσεις παρεμποδίζουν την κυκλοφορία του κρύου αέρα, καθιστώντας τη συσκευή λιγότερο αποτελεσματική.
- Οργανώστε και επισημάνετε τα τρόφιμα για να μειώσετε τα ανοίγματα της πόρτας και τις εκτενείς αναζητήσεις. Αφαιρέστε όσο το δυνατόν περισσότερα αντικείμενα χρειάζεστε ταυτόχρονα και κλείστε την πόρτα το συντομότερο δυνατό.

## 3 Δομή και λειτουργίες

### 3.1 Βασικά στοιχεία



(Η παραπάνω εικόνα είναι μόνο για αναφορά. Η διαμόρφωση εξαρτάται από το εκάστοτε προϊόν ή τη δήλωση του διανομέα.)

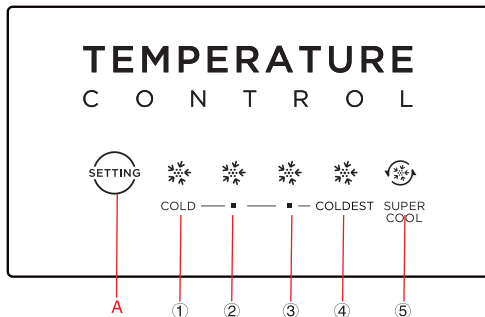
#### Θάλαμος ψύξης

- Ο θάλαμος ψύξης είναι κατάλληλος για αποθήκευση ποικιλίας φρούτων, λαχανικών, ποτών και άλλων τροφίμων που καταναλώνονται βραχυπρόθεσμα.
- Τα μαγειρεμένα τρόφιμα δεν πρέπει να τοποθετούνται στον θάλαμο ψύξης έως ότου κρυώσουν σε θερμοκρασία δωματίου.
- Τα τρόφιμα συνιστάται να σφραγίζονται πριν τοποθετηθούν στο ψυγείο.
- Οι θέσεις των γυάλινων ραφιών είναι μεταβλητές για τοποθέτηση ανάλογα με τις ανάγκες.

#### Θάλαμος κατάψυξης

- Ο θάλαμος κατάψυξης χαμηλής θερμοκρασίας μπορεί να διατηρήσει τα τρόφιμα φρέσκα για μεγάλο χρονικό διάστημα και χρησιμοποιείται κυρίως για την αποθήκευση κατεψυγμένων τροφίμων και την παραγωγή πάγου.
- Ο θάλαμος κατάψυξης είναι κατάλληλος για να αποθηκεύετε κρέας, ψάρι, μπάλες ρυζιού και άλλα τρόφιμα που δεν καταναλώνονται βραχυπρόθεσμα.
- Τα κομμάτια κρέατος κατά προτίμηση χωρίζονται σε μικρά κομμάτια για γρήγορο πάγωμα και εύκολη πρόσβαση. Λάβετε υπόψη ότι τα τρόφιμα πρέπει να καταναλώνονται εντός του χρόνου αποθήκευσης.

## 3.2 Λειτουργίες



Σημειώσεις:

(Η παραπάνω εικόνα είναι μόνο για αναφορά. Η διαμόρφωση εξαρτάται από το εκάστοτε προϊόν ή τη δήλωση του διανομέα.)

### 1) Κουμπί ρύθμισης

A: Κουμπί ρύθμισης

### 2) Οθόνη

Λυχνία LED: Επίπεδο ① (ΨΥΧΡΟ)

Λυχνία LED: Επίπεδο ②

Λυχνία LED: Επίπεδο ③

Λυχνία LED: Επίπεδο ④ (ΨΥΧΡΟΤΕΡΟ)

Λυχνία LED: Επίπεδο ⑤ (ΣΟΥΠΕΡ ΨΥΞΗ)

### 3) Οθόνη

Όταν το ψυγείο είναι ενεργοποιημένο, η λυχνία LED στην οθόνη ανάβει για 3 δευτερόλεπτα, η προεπιλεγμένη θερμοκρασία ορίζεται σε MID (επίπεδο ③).

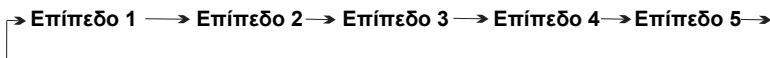
Σε περίπτωση αποτυχίας, η λυχνία LED εμφανίζει τον κωδικό σφάλματος (οθόνη βρόχου) και η λυχνία LED εμφανίζεται ως εξής:

Κωδικός σφάλματος	Περιγραφή σφάλματος
LED ⑤, ④ αναβοσβήνει	Αστοχία αισθητήρα θερμοκρασίας θαλάμου ψύξης
LED ⑤, ③ αναβοσβήνει	Αποτυχία αισθητήρα θερμοκρασίας θαλάμου κατάψυξης
LED ⑤, ② αναβοσβήνει	Βλάβη του αισθητήρα θερμοκρασίας περιβάλλοντος

### 4) Ρύθμιση επιπέδου

Κάθε φορά που πατάτε το κουμπί ρύθμισης, το επίπεδο αλλάζει μία φορά, αφού ρυθμίσετε το επίπεδο σε 15s, το ψυγείο λειτουργεί σύμφωνα με την τιμή ρύθμισης.

Ρύθμιση επιπέδου σε:



### 5) Λειτουργία μνήμης

Το ψυγείο μπορεί να διατηρήσει μνήμη σχετικά με την κατάσταση λειτουργίας κατά την απενεργοποίηση.

### 6) Ρυθμιστικό προσαρμογής αποσβεστήρα



Η αρχική θέση του ρυθμιστικού προσαρμογής αποσβεστήρα είναι στην ακραία δεξιά θέση.

Για καλύτερη εμπειρία χρήστη, συνιστάται να θέτετε το ρυθμιστικό στη σωστή θέση και να στρέψετε το πλήκτρο ΡΥΘΜΙΣΗΣ στη ΜΕΣΑΙΑ θέση. Εάν η θερμοκρασία δεν είναι αρκετά χαμηλή μέσα στο ψυγείο, ελέγξτε αν το ρυθμιστικό βρίσκεται στην αριστερή θέση και γυρίστε το ρυθμιστικό στη δεξιά θέση.



## 4 Συντήρηση και φροντίδα ψυγείων

### 4.1 Γενικός καθαρισμός

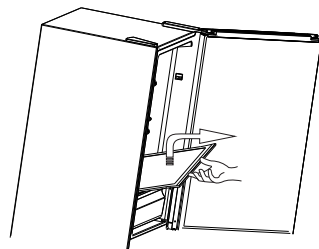
- Οι σκόνες πίσω από το ψυγείο και στο δάπεδο πρέπει να καθαρίζονται εγκαίρως για να βελτιώνεται το φαινόμενο ψύξης και για εξοικονόμηση ενέργειας.
- Ελέγχετε τακτικά τη φλάντζα της πόρτας για να βεβαιωθείτε ότι δεν υπάρχουν κατάλοιπα. Καθαρίστε τη φλάντζα της πόρτας με ένα μαλακό πανί βρεγμένο με σαπουνόνερο ή αραιωμένο απορρυπαντικό.
- Το εσωτερικό του ψυγείου πρέπει να καθαρίζεται τακτικά για να αποφεύγονται οι οσμές.
- Απενεργοποιήστε την παροχή ρεύματος προτού καθαρίσετε το εσωτερικό και αφαιρέστε όλα τα τρόφιμα, τα ποτά, τα ράφια, τα συρτάρια κ.λπ.
- Χρησιμοποιήστε ένα μαλακό πανί ή σφουγγάρι για να καθαρίσετε το εσωτερικό του ψυγείου, με δύο κουταλιές της σούπας μαγειρική σόδα και ένα λίτρο ζεστό νερό. Στη συνέχεια ξεπλύνετε με νερό και σκουπίστε. Μετά τον καθαρισμό, ανοίξτε την πόρτα και αφήστε το ψυγείο να στεγνώσει φυσικά πριν ενεργοποιήσετε το ρεύμα.
- Για περιοχές που είναι δύσκολο να καθαριστούν στο ψυγείο (όπως στενές εγκοπές, κενά ή γωνίες), συνιστάται να τα σκουπίζετε τακτικά με ένα μαλακό πανί, μαλακό πινέλο κ.λπ., και όταν είναι απαραίτητο, σε συνδυασμό με ορισμένα βοηθητικά εργαλεία (όπως λεπτά ραβδιά) για να διασφαλιστεί ότι δεν συσσωρεύονται μολυσματικοί παράγοντες ή βακτήρια σε αυτές τις περιοχές.
- Μην χρησιμοποιείτε σαπούνι, απορρυπαντικό, αποξεστική σκόνη, καθαριστικό ψεκαστικό κ.λπ., καθώς ενδέχεται να προκαλέσουν οσμές στο εσωτερικό του ψυγείου ή να επιμολύνουν τρόφιμα.
- Καθαρίστε το πλαίσιο της φιάλης, τα ράφια και τα συρτάρια με ένα μαλακό πανί βρεγμένο με σαπουνόνερο ή αραιωμένο απορρυπαντικό. Στεγνώστε με ένα μαλακό πανί ή αφήστε να στεγνώσει φυσικά.
- Σκουπίστε την εξωτερική επιφάνεια του ψυγείου με ένα μαλακό πανί βρεγμένο με σαπουνόνερο, απορρυπαντικό κ.λπ., και στη συνέχεια στεγνώστε σκουπίζοντας.
- Μην χρησιμοποιείτε σκληρές βούρτσες, καθαρές χαλύβδινες μπάλες, συμπατόβουρτσες, αποξεστικά (όπως οδοντόκρεμες), οργανικούς διαλύτες (όπως οινόπνευμα, ασετόν, λάδι μπανάνας κ.λπ.), βραστό νερό, όξινα ή αλκαλικά στοιχεία, που μπορεί να προκαλέσουν βλάβη στην επιφάνεια και το εσωτερικό του ψυγείου. Το βραστό νερό και οι οργανικοί διαλύτες, όπως η βενζίνη, ενδέχεται να παραμορφώσουν ή να καταστρέψουν τα πλαστικά μέρη.
- Μην ξεπλένετε απευθείας με νερό ή άλλα υγρά κατά τον καθαρισμό για να αποφύγετε βραχυκύκλωμα και να μην επηρεάσετε την ηλεκτρική μόνωση λόγω διαποτισμού.



▲ Αποσυνδέστε το ψυγείο για απόψυξη και καθαρισμό.

### 4.2 Καθαρισμός του γυάλινου ραφιού

- Σηκώστε το μπροστινό μέρος του γυάλινου ραφιού και, στη συνέχεια, τραβήξτε προς τα έξω.
- Αφαιρέστε το γυάλινο ράφι και καθαρίστε το.
- Ακολουθήστε την αντίστροφη σειρά για την τοποθέτηση του γυάλινου ραφιού.



### 4.3 Απόψυξη

- Το ψυγείο κατασκευάζεται με βάση την αρχή της ψύξης του αέρα και έτσι διαθέτει λειτουργία αυτόματης απόψυξης. Ο παγετός που σχηματίζεται λόγω αλλαγής εποχής ή θερμοκρασίας μπορεί επίσης να αφαιρεθεί χειροκίνητα με αποσύνδεση της συσκευής από την παροχή ρεύματος ή σκουπίζοντας με στεγνή πετσέτα.

### 4.4 Διακοπή λειτουργίας

- Διακοπή ρεύματος: Σε περίπτωση διακοπής ρεύματος, ακόμα κι αν είναι το καλοκαίρι, τα τρόφιμα μέσα στη συσκευή μπορούν να διατηρηθούν για αρκετές ώρες. Κατά τη διάρκεια της διακοπής ρεύματος, οι χρόνοι ανοίγματος της πόρτας πρέπει να μειωθούν και δεν θα πρέπει να τοποθετούνται επιπλέον φρέσκα τρόφιμα μέσα στη συσκευή.
- Μακροχρόνια μη χρήση: Η συσκευή πρέπει να αποσυνδεθεί από το ρεύμα και μετά να καθαριστεί. Στη συνέχεια οι πόρτες αφήνονται ανοιχτές για να αποφευχθεί η δημιουργία οσμών.
- Μετακίνηση: Πριν μετακινήσετε το ψυγείο, αφαιρέστε όλα τα αντικείμενα που βρίσκονται μέσα, στερεώστε τα γυάλινα χωρίσματα, τη θήκη λαχανικών, τα συρτάρια του διαμερίσματος κατάψυξης κ.λπ. με ταινία και σφίξτε τα πέλματα στάθμισης. Κλείστε τις πόρτες και στερεώστε τις με ταινία. Κατά τη μετακίνηση, η συσκευή δεν θα πρέπει να τοποθετηθεί ανάποδα, οριζόντια ή να ταρακουνηθεί. Η κλίση κατά τη διάρκεια της μετακίνησης δεν πρέπει να υπερβαίνει τις 45°.



Η συσκευή πρέπει να λειτουργήσει συνεχώς μόλις ξεκινήσει. Γενικά, η λειτουργία της συσκευής δεν πρέπει να διακόπτεται. Διαφορετικά, η διάρκεια ζωής μπορεί να μειωθεί.

## 5 Αντιμετώπιση προβλημάτων

Μπορείτε να προσπαθήσετε να επιλύσετε μόνοι σας τα ακόλουθα απλά προβλήματα. Εάν δεν μπορούν να επιλυθούν, επικοινωνήστε με το τμήμα εξυπηρέτησης μετά την πώληση.

Αποτυχία λειτουργίας	Ελέγξτε εάν η συσκευή είναι συνδεδεμένη στην τροφοδοσία ρεύματος και εάν το βύσμα έχει καλή επαφή. Ελέγξτε εάν η τάση είναι πολύ χαμηλή. Ελέγξτε εάν υπάρχει διακοπή ρεύματος ή έχουν διακοπεί ορισμένα κυκλώματα.
Οσμή	Τα τρόφιμα με έντονη οσμή πρέπει να τυλιγούνται καλά. Ελέγξτε αν υπάρχει σάπιο φαγητό. Καθαρίστε το εσωτερικό του ψυγείου.
Μακροχρόνια λειτουργία του συμπιεστή	Η παρατεταμένη λειτουργία του ψυγείου είναι φυσιολογική το καλοκαίρι, όταν η θερμοκρασία περιβάλλοντος είναι υψηλή. Δεν συνιστάται να τοποθετείτε υπερβολικά πολλά τρόφιμα ταυτόχρονα στη συσκευή. Φροντίζετε τα τρόφιμα να έχουν ψυχθεί πριν τοποθετηθούν στη συσκευή. Οι πόρτες ανοίγουν πολύ συχνά.
Το φως δεν ανάβει	Ελέγξτε εάν το ψυγείο είναι συνδεδεμένο στην τροφοδοσία ρεύματος και εάν η φωτεινή ένδειξη έχει υποστεί ζημιά.
Οι πόρτες δεν μπορούν να κλείσουν σωστά	Η πόρτα έχει κολλήσει από συσκευασίες τροφίμων. Το ψυγείο είναι κεκλιμένο.
Δυνατός θόρυβος	Ελέγξτε εάν το δάπεδο είναι επίπεδο και αν το ψυγείο έχει τοποθετηθεί σταθερά. Ελέγξτε εάν τα εξαρτήματα έχουν τοποθετηθεί στην κατάλληλη θέση.
Η σφράγιση της πόρτας δεν είναι σφιχτή	Αφαιρέστε τυχόν ξένα σώματα από το λάστιχο της πόρτας. Θερμάνετε το λάστιχο της πόρτας και, στη συνέχεια, αφήστε το να ψυχθεί για αποκατάσταση (χρησιμοποιήστε ένα σεσουάρ μαλλιών ή μια ζεστή πετσέτα για να το θερμάνετε).
Υπερχείλιση του δίσκου νερού	Υπάρχουν υπερβολικά πολλά τρόφιμα ή τα τρόφιμα που έχουν αποθηκευτεί περιέχουν υπερβολικά πολύ νερό, προκαλώντας έντονη απόψυξη. Οι πόρτες δεν έχουν κλείσει σωστά, προκαλώντας ψύξη λόγω εισόδου αέρα και αύξηση νερού λόγω απόψυξης.
Θερμό περιβλημα	Γίνεται απαγωγή θερμότητας στον ενσωματωμένο συμπυκνωτή μέσω του περιβλήματος, το οποίο είναι φυσιολογικό. Όταν το περιβλημα ζεσταθεί λόγω της υψηλής θερμοκρασίας περιβάλλοντος και της αποθήκευσης υπερβολικής ποσότητας τροφίμων, συνιστάται η παροχή εξαερισμού για τη διευκόλυνση της απαγωγής θερμότητας.
Επιφανειακή συμπύκνωση υδρατμών	Η συμπύκνωση υδρατμών στην εξωτερική επιφάνεια και τις σφραγίσεις των πορτών του ψυγείου είναι φυσιολογική όταν η υγρασία περιβάλλοντος είναι πολύ υψηλή. Απλά σκουπίστε την υγρασία με μια καθαρή πετσέτα.
Μη φυσιολογικός θόρυβος	Βόμβος: Ο συμπιεστής μπορεί να παράγει βόμβους κατά τη λειτουργία, και οι βόμβοι είναι δυνατοί ιδιαίτερα κατά την εκκίνηση ή τη διακοπή. Αυτό είναι φυσιολογικό. Τρίξιμο: Το ψυκτικό που ρέει στο εσωτερικό της συσκευής μπορεί να προκαλέσει τρίξιμο, κάτι που είναι φυσιολογικό.

Πίνακας 1 Κατηγορίες κλίματος

Κατηγορία	Σύμβολο	Εύρος θερμοκρασίας λειτουργίας °C
Παρατεταμένο εύκρατο	SN	+10 έως +32
Εύκρατο	N	+ 16 έως + 32
Υποτροπικό	ST	+ 16 έως + 38
Τροπικό	T	+ 16 έως + 43