

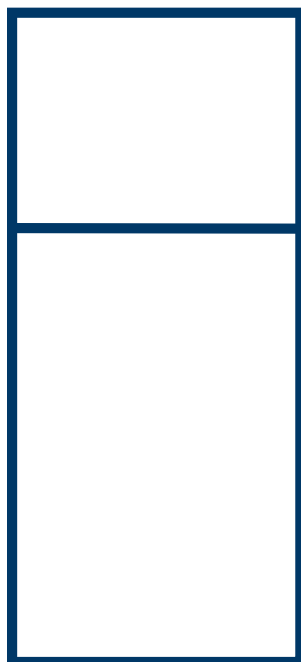


EN

## USER MANUAL

REFRIGERATOR

Top Freezer



Please read the Manual carefully before use.  
The Manual shall be kept in good custody for later reference

version:001

**MODEL: MDRT489MTE  
SERIES**

[www.midea.com](http://www.midea.com)



# CONTENTS

1 Safety warnings	
1.1 Warning	1-2
1.2 Meanings of safety warning symbols	3
1.3 Electricity related warnings	3
1.4 Warnings for using	4
1.5 Warnings for placement	4-5
1.6 Warnings for energy	5
1.7 Warnings for disposal	5
2 Proper use of the refrigerator	
2.1 Placement	67
2.2 Levelling feet	7
2.3 Door right-left change	7-10
2.4 Changing the Light	10
2.5 Starting	10
2.6 Energy saving tips	10
3 Structure and functions	
3.1 Key components	11
3.2 Functions	12
3.3 Usage of water dispenser	13
4 Maintenance and care of the refrigerator	
4.1 Overall cleaning	13
4.2 Cleaning glass shelf	13
4.3 Defrosting	14
4.4 Out of operation	14
5 Trouble shooting	15
6 Parameters	16

## 1. SAFETY WARNINGS



**Warning:** risk of fire / flammable materials

**THIS** appliance is intended to be used in household and similar applications such as staff kitchen areas in shops, offices and other working environments; farm houses and by clients in hotels, motels and other residential type environments; bed and breakfast type environments; catering and similar non-retail applications.

**THIS** appliance is not intended for use by persons (including children) with reduced physical, sensory or mental capabilities, or lack of experience and knowledge, unless they have been given supervision or instruction concerning use of the appliance by a person responsible for their safety.)

**Children** should be supervised to ensure that they do not play with the appliance.

**IF** the supply cord is damaged, it must be replaced by the manufacturer, its service agent or similarly qualified persons in order to avoid a hazard.

**DO** not store explosive substances such as aerosol cans with a flammable propellant in this appliance.

**THE** appliance has to be unplugged after use and before carrying out user maintenance on the appliance.

**WARNING:** Keep ventilation openings, in the appliance enclosure or in the built-in structure, clear of obstruction.

**WARNING:** Do not use mechanical devices or other means to accelerate the defrosting process, other than those recommended by the manufacturer.

**WARNING:** Do not damage the refrigerant circuit.

**WARNING:** Do not use electrical appliances inside the food storage compartments of the appliance, unless they are of the type recommended by the manufacturer.

**WARNING:** Please abandon the refrigerator according to local regulators for its use of flammable blowing gas and refrigerant.

**WARNING:** When positioning the appliance, ensure the supply cord is not trapped or damaged.

**WARNING:** Do not locate multiple portable socket-outlets or portable power supplies at the rear of the appliance.

**DO** not use extension cords or ungrounded (two prong) adapters.

**DANGER:** Risk of child entrapment. Before you throw away your old refrigerator or freezer:

-Take off the doors.



-Leave the shelves in place so that children may not easily climb inside.

**THE** refrigerator must be disconnected from the source of electrical supply before attempting the installation of accessory.

**REFRIGERANT** and cyclopentane foaming material used for the appliance are flammable. Therefore, when the appliance is scrapped, it shall be kept away from any fire source and be recovered by a special recovering company with corresponding qualification other than be disposed by combustion, so as to prevent damage to the environment or any other harm.

**FOR EN standard:** This appliance can be used by children aged from 8 years and above and persons with reduce physical sensory or mental capabilities or lack of experience and knowledge if they have been given supervision or instruction concerning use of the appliance in a safe way and understand the hazards involved. Children shall not play with the appliance. Cleaning and user maintenance shall not be made by children without supervision. Children aged from 3 to 8 years are allowed to load and unload refrigerating appliances.

**The** necessity that, for doors or lids fitted with locks and keys, the keys be kept out of the reach of children and not in the vicinity of the refrigerating appliance, in order to prevent children from being locked inside.

**TO** avoid contamination of food, please respect the following instructions:

- Opening the door for long periods can cause a significant increase of the temperature in the compartments of the appliance.
- Clean regularly surfaces that can come in contact with food and accessible drainage systems.
- Clean water tanks if they have not been used for 48 h; flush the water system connected to a water supply if water has not been drawn for 5 days. (note 1)
- Store raw meat and fish in suitable containers in the refrigerator, so that it is not in contact with or drip onto other food.
- Two-star frozen-food compartments are suitable for storing pre-frozen food, storing or making ice-cream and making ice cubes. (note 2)
- One -, two- and three-star compartments are not suitable for the freezing of fresh food. (note 3) .
- If the refrigerating appliance is left empty for long periods, switch off, defrost, clean, dry, and leave the door open to prevent mould developing within the appliance.
- For appliances without a 4-star compartment: this refrigerating appliance is not suitable for freezing foodstuffs. (note 4)

Note 1,2,3,4: Please confirm whether it is applicable according to your product compartment type.

**FOR** a freestanding appliance: this refrigerating appliance is not intended to be used as a built-in appliance.

**ANY** replacement or maintenance of the LED lamps is intended to be made by the manufacturer, its service agent or similar qualified person.

## 1.2 Meaning of safety warning symbols



Prohibition symbol

This is a prohibition symbol. Any in compliance with instructions marked with this symbol may result in damage to the product or endanger the personal safety of the user.



Warning symbol

This is a warning symbol. It is required to operate in strict observance of instructions marked with this symbol; or otherwise damage to the product or personal injury may be caused.

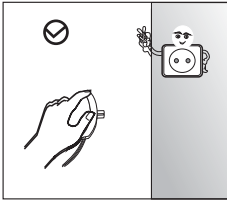


Note symbol

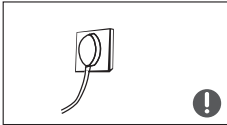
This is a cautioning symbol. Instructions marked with this symbol require special caution. Insufficient caution may result in slight or moderate injury, or damage to the product.

This manual contains lots of important safety information which shall be observed by the users.

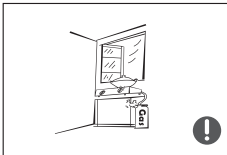
## 1.3 Electricity related warnings



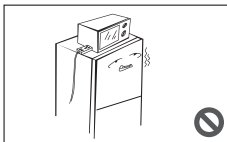
- Do not pull the power cord when pulling the power plug of the refrigerator. Please firmly grasp the plug and pull out it from the socket directly.
- To ensure safe use, do not damage the power cord or use the power cord when it is damaged or worn.



- Please use a dedicated power socket and the power socket shall not be shared with other electrical appliances. The power plug should be firmly contacted with the socket or else fires might be caused.
- Please ensure that the grounding electrode of the power socket is equipped with a reliable grounding line.

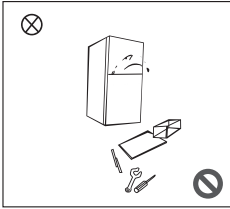


- Please turn off the valve of the leaking gas and then open the doors and windows in case of leakage of gas and other flammable gases. Do not unplug the refrigerator and other electrical appliances considering that spark may cause a fire.

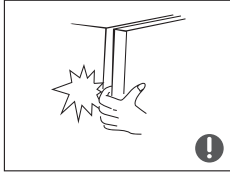


- Do not use electrical appliances on the top of the appliance, unless they are of the type recommended by the manufacturer.

## 1.4 Warnings for using



- Do not arbitrarily disassemble or reconstruct the refrigerator, nor damage the refrigerant circuit; maintenance of the appliance must be conducted by a specialist
- Damaged power cord must be replaced by the manufacturer, its maintenance department or related professionals in order to avoid danger.



- The gaps between refrigerator doors and between doors and refrigerator body are small, be noted not to put your hand in these areas to prevent from squeezing the finger. Please be gentle when close the refrigerator door to avoid falling articles.
- Do not pick foods or containers with wet hands in the freezing chamber when the refrigerator is running, especially metal containers in order to avoid frostbite.

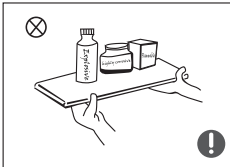


- Do not allow any child to get into or climb the refrigerator; otherwise suffocation or falling injury of the child may be caused.

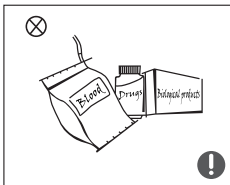


- Do not place heavy objects on the top of the refrigerator considering that objects may fall when close or open the door, and accidental injuries might be caused.
- Please pull out the plug in case of power failure or cleaning. Do not connect the refrigerator to power supply within five minutes to prevent damages to the compressor due to successive starts.

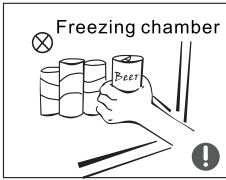
## 1.5 Warnings for placement



- Do not put flammable, explosive, volatile and highly corrosive items in the refrigerator to prevent damages to the product or fire accidents.
- Do not place flammable items near the refrigerator to avoid fires.



- The refrigerator is intended for household use, such as storage of foods; it shall not be used for other purposes, such as storage of blood, drugs or biological products, etc.



- Do not store beer, beverage or other fluid contained in bottles or enclosed containers in the freezing chamber of the refrigerator; or otherwise the bottles or enclosed containers may crack due to freezing to cause damages.

## 1.6 Warnings for energy

### Warning for energy

- 1) Refrigerating appliances might not operate consistently (possibility of defrosting of contents or temperature becoming too warm in the frozen food compartment) when sited for an extended period of time below the cold end of the range of temperatures for which the refrigerating appliance is designed.
- 2) The fact that effervescent drinks should not be stored in food freezer compartments or cabinets or in low-temperature compartments or cabinets, and that some products such as water ices should not be consumed too cold;
- 3) The need to not exceed the storage time(s) recommended by the food manufacturers for any kind of food and particularly for commercially quick-frozen food in food-freezer and frozen-food storage compartments or cabinets;
- 4) The precautions necessary to prevent an undue rise in the temperature of the frozen food while defrosting the refrigerating appliance, such as wrapping the frozen food in several layers of newspaper.
- 5) The fact that a rise in temperature of the frozen food during manual defrosting, maintenance or cleaning could shorten the storage life.
- 6) The necessity that, for doors or lids fitted with locks and keys, the keys be kept out of the reach of children and not in the vicinity of the refrigerating appliance, in order to prevent children from being locked inside.

## 1.7 Warnings for disposal

Refrigerant and cyclopentane foaming material used for the refrigerator are flammable. Therefore, when the refrigerator is scrapped, it shall be kept away from any fire source and be recovered by a special recovering company with corresponding qualification other than be disposed by combustion, so as to prevent damage to the environment or any other harm.



When the refrigerator is scrapped, disassemble the doors, and remove gasket of door and shelves; put the doors and shelves in a proper place, so as to prevent trapping of any child.

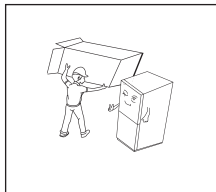


### Correct Disposal of this product :

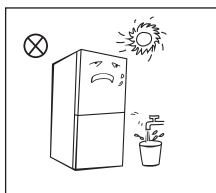
This marking indicates that this product should not be disposed with other household wastes. To prevent possible harm to the environment or human health from uncontrolled waste disposal, recycle it responsibly to promote the sustainable reuse of material resources. To return your used device, please use the return and collection systems or contact the retailer where the product was purchased. They can take this product for environmental safe recycling.

## 2 Proper use of refrigerators

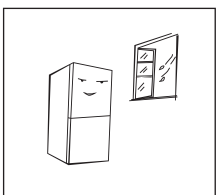
### 2.1 Placement



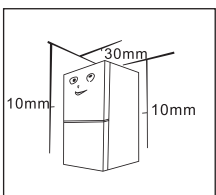
- Before use, remove all packing materials, including bottom cushions, foam pads and tapes inside of the refrigerator; tear off the protective film on the doors and the refrigerator body.



- Keep away from heat and avoid direct sunlight. Do not place the freezer in moist or watery places to prevent rust or reduction of insulating effect.
- Do not spray or wash the refrigerator; do not put the refrigerator in moist places easy to be splashed with water so as not to affect the electrical insulation properties of the refrigerator.



- The refrigerator is placed in a well-ventilated indoor place; the ground shall be flat, and sturdy (rotate left or right to adjust the wheel for levelling if unstable).



- The top space of the refrigerator shall be greater than 30cm, and the refrigerator should be placed against a wall with a free distance more than 10cm to facilitate heat dissipation.

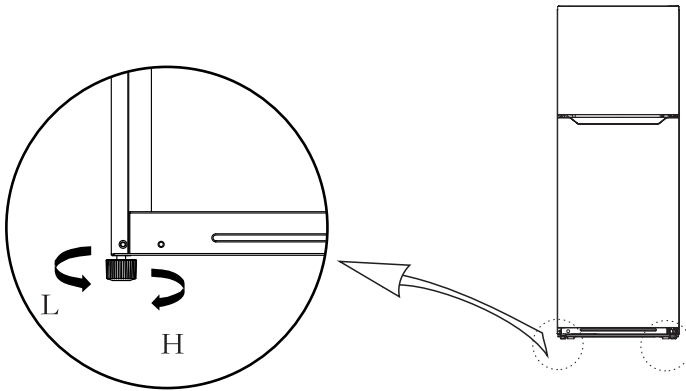
#### ⓘ Precautions before installation:

Before installation or adjusting of accessories, it shall be ensured that the refrigerator is disconnected from power.

Precautions shall be taken to prevent fall of the handle from causing any personal injury.

## 2.2 Leveling feet

Schematic diagram of the leveling feet



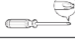





(The picture above is only for reference. The actual configuration will depend on the physical product or statement by the distributor)

Adjusting procedures:

- Turn the feet clockwise to raise the refrigerator;
- Turn the feet counterclockwise to lower the refrigerator;
- Adjust the right and left feet based on the procedures above to a horizontal level.

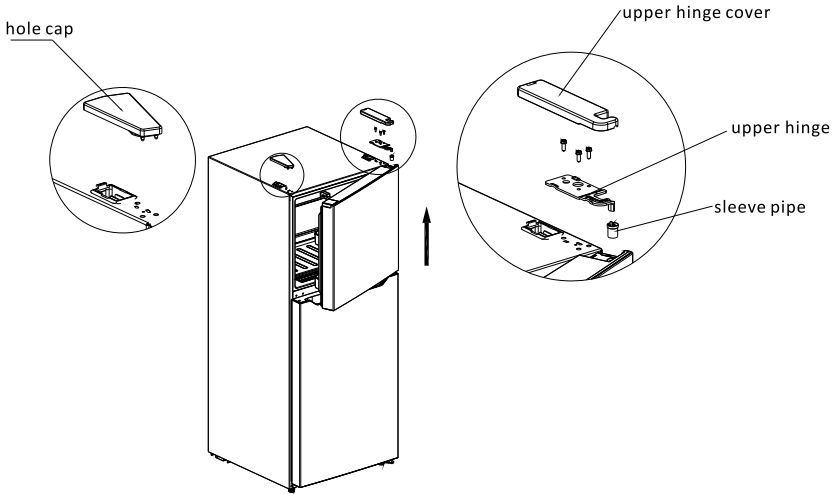
## 2.3 Door Right-Left Change

List of tools to be provided by the user			
	Cross screwdriver		Putty knife
			thin-blade screwdriver
	5/16" socket and ratchet		Masking tape

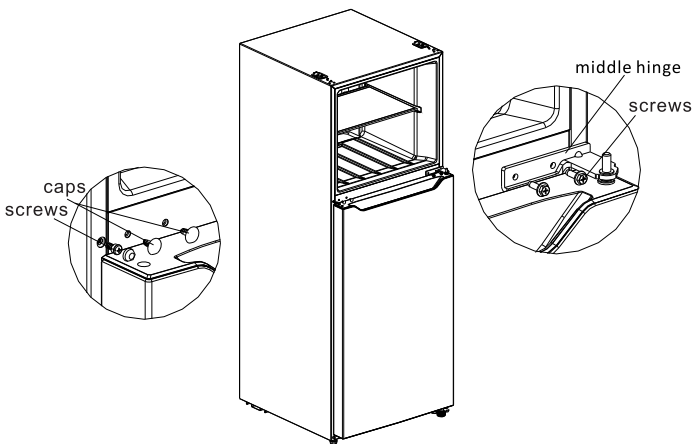
Parts to be used for door reverse			
Number	Name	Number	Note
1	Right upper hinge	1	Pre-installed on the refrigerator, removed when the door is reversed, and kept for future use
2	Upper right hinge cover	1	Pre-installed on the refrigerator, removed when the door is reversed, and kept for future use
3	Hole cover	1	Pre-installed on the refrigerator, still used when door is reversed
4	Stopper	1	Pre-installed on the refrigerator, still used when door is reversed
5	Stopper Lower hinge	1	Pre-installed on the refrigerator, still used when door is reversed
6	Leveling feet	1	Pre-installed on the refrigerator, still used when door is reversed
7	Cap of Left cover	1	Pre-installed on the freezer, still used when door is reversed
8	Left upper hinge	1	In the attached plastic bag, take them out for use when door is reversed
9	Upper left hinge cover	1	In the attached plastic bag, take them out for use when door is reversed
10	Cap of Right cover	1	In the attached plastic bag, take them out for use when door is reversed

1) Please power off this appliance before conduct this operation. Remove all food from door shelves.

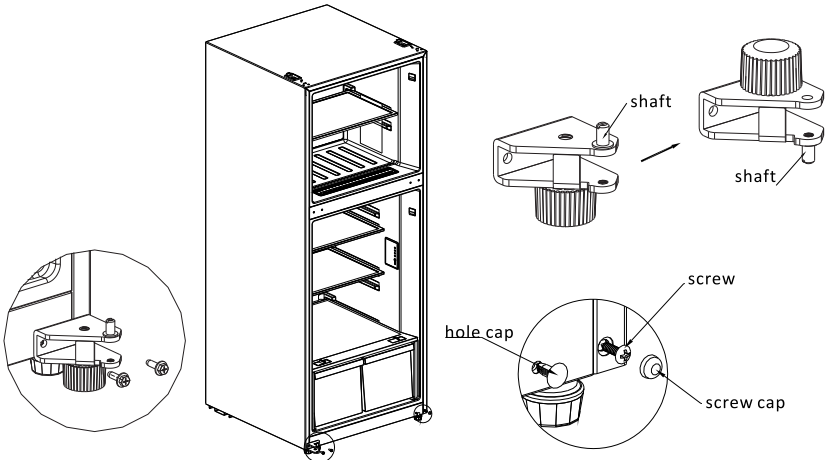
2) Remove hole cap, the upper hinge cover, fitting screws of upper hinge, upper hinge and sleeve pipe, then uplift the freezer door until it is separated from cabinet completely.



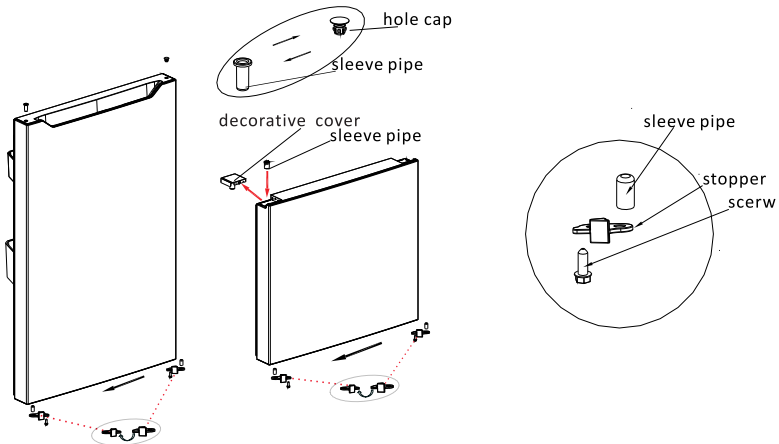
3) Remove the hole caps, fitting screws of middle hinge and middle hinge, **and remove the screws and screws caps on the other side** then uplift the refrigerator door until it is separated from cabinet completely.



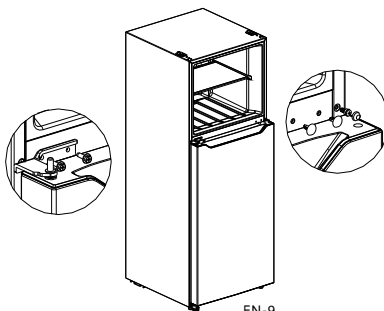
4) Remove the lower hinge assembly from lower right corner and remove the hole cap, screw cap from lower left corner; Dismantle the hinge shaft and adjustable foot and install them on other side of lower hinge; then install the lower hinge assembly on lower left corner by fitting screws, and install the hole cap and screw cap on lower right corner.



5) Dismantle the stoppers, sleeve pipes of both refrigerator door and freezer door, install them on the other side of both doors; exchange the installation position of sleeve pipe and hole cap on upper end of refrigerator door; remove the left decorative cover of freezer door, and move the sleeve pipe

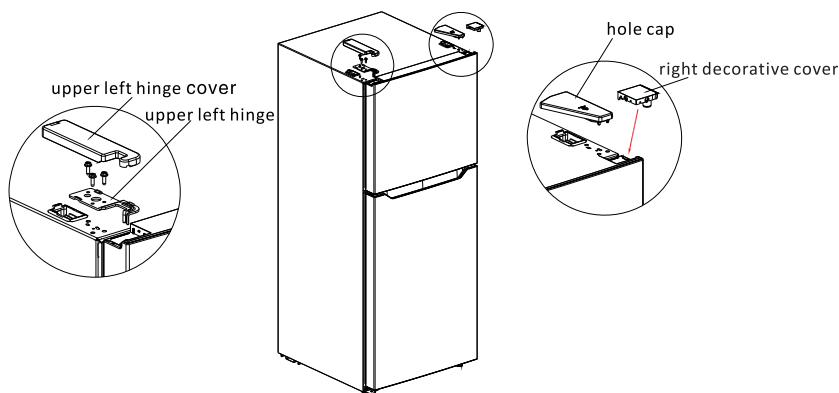


6) Install the Refrigerator compartment door on the lower hinge and then install the middle hinge, **screws** and caps.





7) Take out the left upper hinge, left upper hinge cover, and right decorative cover from the accessory bag, install the freezer door on the middle hinge, and install the left upper hinge, left hinge cover and hole cap. Finally, install the right decorative cover on right side of end cap of freezer door.

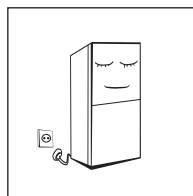


(The picture above is only for reference. The actual configuration will depend on the physical product or statement by the distributor)

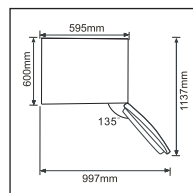
## 2.5 Changing the Light

Any replacement or maintenance of the LED lamps is intended to be made by the manufacturer, its service agent or similar qualified person.

## 2.6 Starting



- Before initial start, keep the refrigerator still for two hours before connecting it to power supply.
- Before putting any fresh or frozen foods, the refrigerator shall have run for 2-3 hours, or for above 4 hours in summer when the ambient temperature is high.



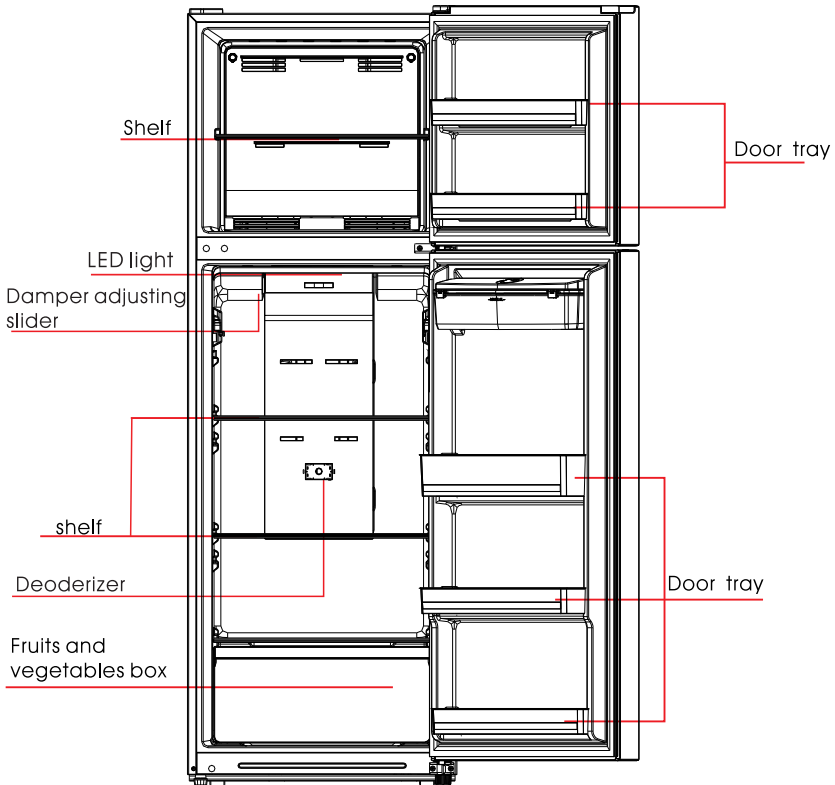
- Spare enough space for convenient opening of the doors and drawers or statement by the distributor.

## 2.7 Energy saving tips

- The appliance should be located in the coolest area of the room, away from heat producing appliances or heating ducts, and out of the direct sunlight.
- Let hot foods cool to room temperature before placing in the appliance. Overloading the appliance forces the compressor to run longer. Foods that freeze too slowly may lose quality, or spoil.
- Be sure to wrap foods properly, and wipe containers dry before placing them in the appliance. This cuts down on frost build-up inside the appliance.
- Appliance storage bin should not be lined with aluminum foil, wax paper, or paper toweling. Liners interfere with cold air circulation, making the appliance less efficient.
- Organize and label food to reduce door openings and extended searches. Remove as many items as needed at one time, and close the door as 10s as possible.

## 3 Structure and functions

### 3.1 Key components



(The picture above is only for reference. The actual configuration will depend on the physical product or statement by the distributor)

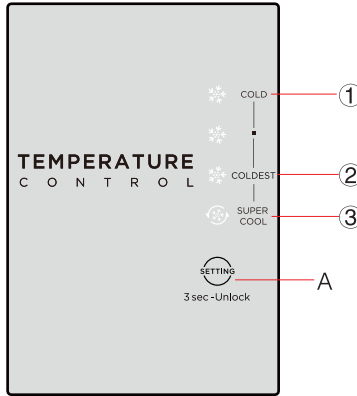
#### Refrigerating chamber

- The Refrigerating Chamber is suitable for storage of a variety of fruits, vegetables, beverages and other food consumed in the short term.
- Cooking foods shall not be put in the refrigerating chamber until cooled to room temperature.
- Foods are recommended to be sealed up before putting into the refrigerator.
- The glass shelves can be adjusted up or down for a reasonable amount of storage space and easy use.

#### Freezing chamber

- The low temperature freezing chamber may keep food fresh for a long time and it is mainly used to store frozen foods and making ice.
- The freezing chamber is suitable for storage of meat, fish, rice balls and other foods not to be consumed in short term.
- Chunks of meat are preferably to be divided into small pieces for easy access. Please be noted food shall be consumed within the shelf time.

### 3.2 Functions



(The picture above is only for reference. The actual configuration will depend on the physical product or statement by the distributor)

#### 1)Key

A. Temperature setting button of refrigerator compartment

#### 2)Display screen

- ① setting 1: COLD
- ② setting 2: ■
- ③ setting 3: COLDEST
- ④ setting 4: SUPER COOL

#### 3)Display

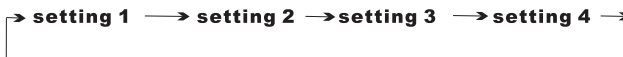
when electrify the refrigerator for first time, the display screen shines fully for 3 seconds, and then the refrigerator runs according to setting 3. In case of a failure, the corresponding LED blinks. In case of no failures, it shows the temperature setting of refrigerator.

Fault Code	Fault Description
Indicator setting 1 and setting 2	Refrigerator temperature sensor
Indicator setting 1 and setting 3	Freezer defrost sensor
Indicator setting 1 and setting 4	Ambient temperature sensor

#### 4)Temperature setting

Each time the temperature setting button A is pressed once, the temperature setting changes one time. After the temperature setting has been completed, the refrigerator will run according to the set value after 15s.

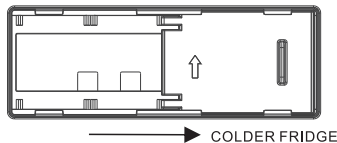
The shift regulation is:



#### 5)Lock/Unlock

When the temperature control panel is in lock state, it needs to long press temperature setting key for 3 seconds for unlocking the panel, all LEDs will blink for 2 seconds when panel is unlocked. When the temperature control panel is in unlock state, if there is no operation on control panel within 15 seconds, it will enter into lock state automatically.

#### 6)Damper adjusting slider




The initial position of the damper adjusting slider is on the far right side. It is recommended to keep it still. If you move to the left, the temperature of the refrigerator will rise.

## 4. Maintenance and care of the appliance

### 4.1 Overall cleaning

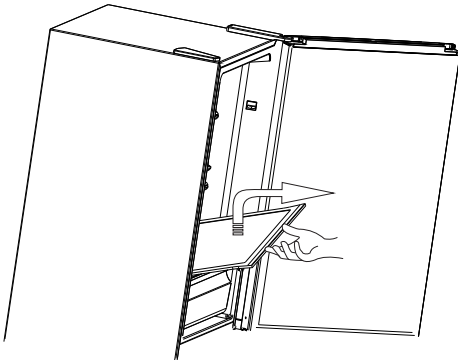
- Dusts behind the refrigerator and on the ground shall be timely cleaned to improve the cooling effect and energy saving.
- Check the door gasket regularly to make sure there are no debris. Clean the door gasket with a soft cloth dampened with soapy water or diluted detergent.
- The interior of the refrigerator should be cleaned regularly to avoid odor.
- Please turn off the power before cleaning interior, remove all foods, drinks ,shelves, drawers, etc.
- Use a soft cloth or sponge to clean the inside of the refrigerator, with two tablespoons of baking soda and a quart of warm water. Then rinse with water and wipe clean. After cleaning, open the door and let it dry naturally before turning on the power.
- For areas that are difficult to clean in the refrigerator (such as narrow sandwiches, gaps or corners), it is recommended to wipe them regularly with a soft rag, soft brush, etc. and when necessary, combined with some auxiliary tools (such as thin sticks) to ensure no contaminants or bacterials accumulation in these areas.
- Do not use soap, detergent, scrub powder, spray cleaner, etc., as these may cause odors in the interior of the refrigerator or contaminated food.
- Clean the bottle frame, shelves and drawers with a soft cloth dampened with soapy water or diluted detergent. Dry with a soft cloth or dry naturally.
- Wipe the outer surface of the refrigerator with a soft cloth dampened with soapy water, detergent, etc., and then wipe dry.
- Do not use hard brushes, clean steel balls, wire brushes, abrasives (such as toothpastes), organic solvents (such as alcohol, acetone, banana oil, etc.), boiling water, acid or alkaline items, which may damage the fridge surface and interior. Boiling water and organic solvents such as benzene may deform or damage plastic parts.
- Do not rinse directly with water or other liquids during cleaning to avoid short circuits or affect electrical insulation after immersion.

 Please unplug the refrigerator for defrost and cleaning.



### 4.2 Cleaning the glass shelf

- Lift up the front of glass shelf, and then pull out;
- Remove the glass shelf and clean as needed;
- The reverse operation is for installation of glass shelf.



### 4.3 Defrosting

- The refrigerator is made based on the air-cooling principle and thus has automatic defrosting function. Frost formed due to change of season or temperature may also be manually removed by disconnection of the appliance from power supply or by wiping with a dry towel.

### 4.4 Out of operation

- Power failure: In case of power failure, even if it is in summer, foods inside the appliance can be kept for several hours; during the power failure, the times of door opening shall be reduced, and no more fresh food shall be put into the appliance.
- Long-time nonuse: The appliance shall be unplugged and then cleaned; then the doors are left open to prevent odor.
- Moving: Before the refrigerator is moved, take all objects inside out, fix the glass partitions, vegetable holder, freezing chamber drawers and etc. with tape, and tighten the leveling feet; close the doors and fix them with tape. During moving, the appliance shall not be laid upside down or horizontally, or be vibrated; the inclination during movement shall be no more than 45°.



The appliance shall run continuously once it is started. Generally, the operation of the appliance shall not be interrupted; otherwise the service life may be impaired.

## 5 Trouble shooting

You may try to solve the following simple problems by yourself. If them cannot be solved, please contact the after-sales department.

Failed operation	<p>Check whether the appliance is connected to power or whether the plug is in well contact .</p> <p>Check whether the voltage is too low.</p> <p>Check whether there is a power failure or partial circuits have tripped.</p>
Odor	<p>Odorous foods shall be tightly wrapped.</p> <p>Check whether there is any rotten food.</p> <p>Clean the inside of the refrigerator.</p>
Long-time operation of the compressor	<p>Long operation of the refrigerator is normal in summer when the ambient temperature is high.</p> <p>It is not recommended having too much food in the appliance at the same time.</p> <p>Food shall get cool before being put into the appliance.</p> <p>The doors are opened too frequently.</p>
Light fails to get lit	<p>Check whether the refrigerator is connected to power supply and whether the illuminating light is damaged.</p>
Doors cannot be properly closed	<p>The door is stuck by food packages.</p> <p>The refrigerator is tilted.</p>
Loud noise	<p>Check whether the floor is level and whether the refrigerator is placed stably.</p> <p>Check whether accessories are placed at proper locations.</p>
Door seal fails to be tight	<p>Remove foreign matters on the door seal.</p> <p>Heat the door seal and then cool it for restoration (or blow it with an electrical drier or use a hot towel for heating).</p>
Water pan overflows	<p>There is too much food in the chamber or food stored contains too much water,resulting in heavy defrosting.</p> <p>The doors are not closed properly, resulting in frosting due to entry of air and increased water due to defrosting.</p>
Hot housing	<p>Heat dissipation of the built-in condenser via the housing, which is normal.</p> <p>When housing becomes hot due to high ambient temperature and storage of too much food,it is recommended to provide sound ventilation to facilitate heat dissipation.</p>
Surface condensation	<p>Condensation on the exterior surface and door seals of the refrigerator is normal when the ambient humidity is too high. Just wipe the condensate with a clean towel.</p>
Abnormal noise	<p>Buzz: The compressor may produce buzzes during operation, and the buzzes are loud particularly upon start or stop. This is normal.</p> <p>Creak: Refrigerant flowing inside of the appliance may produce creak, which is normal.</p>

Table 1 Climate classes

Class	Symbol	Ambient temperature range °C
Extended temperate	SN	+ 10 to + 32
Temperate	N	+ 16 to + 32
Subtropical	ST	+ 16 to + 38
Tropical	T	+ 16 to + 43

Extended temperate: 'this refrigerating appliance is intended to be used at ambient temperatures ranging from 10 °C to 32 °C';

temperate: 'this refrigerating appliance is intended to be used at ambient temperatures ranging from 16 °C to 32 °C';

Subtropical: 'this refrigerating appliance is intended to be used at ambient temperatures ranging from 16 °C to 38 °C';

Tropical: 'this refrigerating appliance is intended to be used at ambient temperatures ranging from 16 °C to 43 °C';

The ordered parts in the following table can be acquired from channel MIDEA:

Ordered Part	Provided by	Minimum Time Required for Provision
thermostats	Professional maintenance personnel	At least 7 years after the last model is launched on the market
temperature sensors	Professional maintenance personnel	At least 7 years after the last model is launched on the market
printed circuit boards	Professional maintenance personnel	At least 7 years after the last model is launched on the market
light sources	Professional maintenance personnel	At least 7 years after the last model is launched on the market
door handles	Professional repairers and final users	At least 7 years after the last model is launched on the market
door hinges	Professional repairers and final users	At least 7 years after the last model is launched on the market
trays	Professional repairers and final users	At least 7 years after the last model is launched on the market
baskets	Professional repairers and final users	At least 7 years after the last model is launched on the market
door gaskets	Professional repairers and final users	At least 10 years after the last model is launched on the market

Dear customer

1. If you want to return or replace the product, please contact the store where you buy.  
(Remember to bring the purchase invoice)
2. If your product breaks down which needs to repair, please contact after-sales service provider.





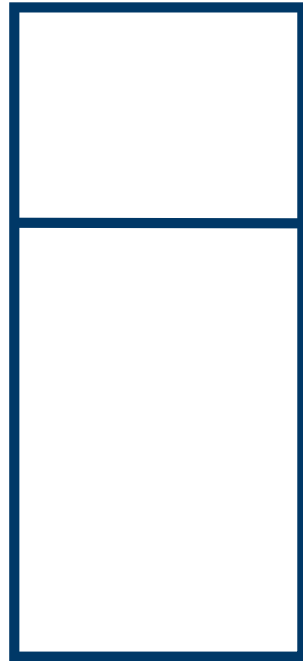
## BENUTZERHANDBUCH

### Kühlschrank Top-Gefrierschrank



**Warnung:**

Bevor Sie dieses Produkt verwenden, lesen Sie dieses Handbuch sorgfältig durch und bewahren Sie es zum späteren Nachschlagen auf. Das Design und die technischen Daten können ohne vorherige Ankündigung zur Produktverbesserung geändert werden. Wenden Sie sich für Einzelheiten an Ihren Händler oder Hersteller.



**MODEL: MDRT489MTE**  
**SERIES**

[www.midea.com](http://www.midea.com)

# INHALT

1 Sicherheitshinweise	
1.1 Warnung .....	1-2
1.2 Bedeutungen der Sicherheitswarnsymbole .....	3
1.3 Elektrizitätsbezogene Warnungen .....	3
1.4 Warnhinweise zur Verwendung .....	4
1.5 Warnhinweise zur Platzierung .....	4-5
1.6 Warnungen für Energie .....	5
1.7 Warnhinweise zur Entsorgung .....	5
2 Richtige Verwendung des Kühlschranks	
2.1 Platzierung .....	6
2.2 Nivellierfüße .....	7
2.3 Tür rechts-links Wechsel .....	7-10
2.4 Ändern der Beleuchtung .....	10
2.5 Beginn .....	11
2.6 Energiespartipps .....	11
3 Aufbau und Funktionen	
3.1 Hauptkomponenten .....	12
3.2 Funktionen .....	13
4 Wartung und Pflege des Kühlschranks	
4.1 Allgemeine Reinigung .....	14
4.2 Reinigung der Türwanne .....	14
4.3 Abtauen .....	15
4.4 Außer Betrieb .....	15
5 Fehlersuche .....	16
6 Parameter .....	17

## 1. SICHERHEITSHINWEISE



**Warnung:** Brandgefahr / brennbare Materialien

**Dieses** Gerät ist für den Einsatz in Haushalten und ähnlichen Anwendungen vorgesehen, wie z.B. in Personalküchen in Geschäften, Büros und anderen Arbeitsumgebungen, in Bauernhöfen und von Kunden in Hotels, Motels und anderen Wohnumgebungen, in Umgebungen mit Übernachtungs- und Frühstücksmöglichkeiten, in der Gastronomie und ähnlichen Anwendungen außerhalb des Einzelhandels.

**Dieses** Gerät ist nicht zur Verwendung durch Personen (einschließlich Kinder) mit eingeschränkten physischen, sensorischen oder geistigen Fähigkeiten oder mangelnder Erfahrung und Kenntnissen bestimmt, es sei denn, sie wurden von einer für ihre Sicherheit verantwortlichen Person beaufsichtigt oder in die Verwendung des Geräts eingewiesen).

**Kinder** sollten beaufsichtigt werden, um sicherzustellen, dass sie nicht mit dem Gerät spielen.

Wenn das Netzkabel beschädigt ist, muss es durch den Hersteller, seinen Kundendienst oder ähnlich qualifizierte Personen ersetzt werden, um eine Gefährdung zu vermeiden.

**Lagern** Sie keine explosiven Substanzen wie Aerosoldosen mit einem brennbaren Treibmittel in diesem Gerät.

**DAS** Gerät muss nach dem Gebrauch und vor der Durchführung von Wartungsarbeiten am Gerät durch den Benutzer vom Netz getrennt werden.

**WARNUNG:** Halten Sie Lüftungsöffnungen im Gerätegehäuse oder in der Einbaukonstruktion frei von Hindernissen.

**WARNUNG:** Verwenden Sie keine mechanischen Vorrichtungen oder andere Mittel zur Beschleunigung des Abtauprozesses, die nicht vom Hersteller empfohlen werden.

**WARNUNG:** Beschädigen Sie den Kältemittelkreislauf nicht.

**WARNUNG:** Verwenden Sie keine elektrischen Geräte in den Lebensmittellagerfächern des Geräts, es sei denn, es handelt sich um den vom Hersteller empfohlenen Typ.

**WARNUNG:** Bitte geben Sie den Kühlschrank gemäß den örtlichen Vorschriften auf, da er brennbares Blähgas und Kältemittel verwendet.

**WARNUNG:** Achten Sie bei der Positionierung des Geräts darauf, dass das Netzkabel nicht eingeklemmt oder beschädigt wird.

**WARNUNG:** Bringen Sie keine Mehrfachsteckdosen oder tragbare Netzteile an der Rückseite des Geräts an.

**Verwenden** Sie keine Verlängerungskabel oder nicht geerdeten (zweipoligen) Adapter.

**GEFAHR** Gefahr des Einklemmens von Kindern. Bevor Sie Ihren alten Kühlschrank oder Gefrierschrank wegwerfen:

- Nehmen Sie die Türen ab.

- Lassen Sie die Einlegeböden an ihrem Platz, damit Kinder nicht so leicht hineinklettern können.

**DER** KÜHLSCHRANK muss von der Stromquelle getrennt werden, bevor die Installation des Zubehörs versucht wird.

**Kältemittel** und Cyclopentan-Schaumstoff, die für das Gerät verwendet werden, sind brennbar. Wenn das Gerät verschrottet wird, muss es daher von jeglicher Feuerquelle ferngehalten und von einem speziellen Verwertungsunternehmen mit entsprechender Qualifikation verwertet werden, damit es nicht durch Verbrennung entsorgt wird, um Umweltschäden oder andere Schäden zu vermeiden.

**FOR EN-Norm:** Dieses Gerät kann von Kindern ab 8 Jahren und darüber sowie von Personen mit verringerten physischen, sensorischen oder mentalen Fähigkeiten oder Mangel an Erfahrung und Wissen benutzt werden, wenn sie beaufsichtigt oder bezüglich des sicheren Gebrauchs des Geräts unterwiesen wurden und die daraus resultierenden Gefahren verstehen. Kinder dürfen nicht mit dem Gerät spielen. Die Reinigung und Benutzerwartung darf nicht von Kindern ohne Aufsicht durchgeführt werden. Kinder im Alter von 3 bis 8 Jahren dürfen Kühlgeräte be- und entladen.

**Die** Notwendigkeit, dass bei Türen oder Deckeln, die mit Schlössern und Schlüsseln ausgestattet sind, die Schlüssel außerhalb der Reichweite von Kindern und nicht in der Nähe des Kühlgeräts aufbewahrt werden, um zu verhindern, dass Kinder darin eingeschlossen werden.




**Um** eine Kontamination von Lebensmitteln zu vermeiden, beachten Sie bitte die folgenden Anweisungen:

- Ein längeres Öffnen der Tür kann zu einem erheblichen Anstieg der Temperatur in den Fächern des Gerätes führen.
- Reinigen Sie regelmäßig Oberflächen, die mit Lebensmitteln in Kontakt kommen können, und zugängliche Drainagesysteme.
- Reinigen Sie die Wassertanks, wenn sie 48 Stunden lang nicht benutzt wurden; spülen Sie das an eine Wasserversorgung angeschlossene Wassersystem, wenn 5 Tage lang kein Wasser entnommen wurde. (Hinweis 1)
- Lagern Sie rohes Fleisch und Fisch in geeigneten Behältern im Kühlschrank, so dass sie nicht mit anderen Lebensmitteln in Kontakt kommen oder auf diese tropfen.
- Zwei-Sterne-Tiefkühlfächer eignen sich für die Lagerung vorgefrorener Lebensmittel, die Lagerung oder Herstellung von Eis und die Herstellung von Eiswürfeln. (Hinweis 2)
- Ein-, Zwei- und Drei-Sterne-Fächer sind für das Einfrieren von frischen Lebensmitteln nicht geeignet. (Hinweis 3).
- Wenn das Kühlgerät längere Zeit leer steht, schalten Sie es aus, tauen Sie es ab, reinigen Sie es, trocknen Sie es und lassen Sie die Tür offen, um Schimmelbildung im Gerät zu vermeiden. - Für Geräte ohne 4-Sterne-Fach: Dieses Kühlgerät ist nicht zum Einfrieren von Lebensmitteln geeignet. (Hinweis 4)

Hinweis 1,2,3,4: Bitte bestätigen Sie, ob dies für Ihren Produktfachtyp zutrifft.

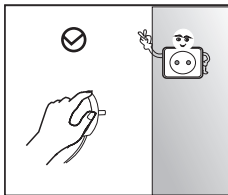
**FÜR** ein freistehendes Gerät: Dieses Kühlgerät ist nicht als Einbaugerät vorgesehen. JEGLICHER Austausch oder Wartung der LED-Lampen soll durch den Hersteller, seinen Servicevertreter oder eine ähnlich qualifizierte Person durchgeführt werden.

## 1.2 Bedeutung der Sicherheitswarnsymbole

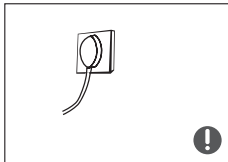
	Dies ist ein Verbotssymbol. Die Nichtbeachtung der mit diesem Symbol gekennzeichneten Hinweise kann zu Schäden am Produkt führen oder die persönliche Sicherheit des Anwenders gefährden.
	Dies ist ein Warnsymbol. Es ist erforderlich, die mit diesem Symbol gekennzeichneten Anweisungen strikt zu befolgen; andernfalls kann es zu Schäden am Produkt oder zu Personenschäden kommen.
	Dies ist ein warnendes Symbol. Anweisungen, die mit diesem Symbol gekennzeichnet sind, erfordern besondere Vorsicht. Unzureichende Vorsicht kann zu leichten oder mittelschweren Verletzungen oder zur Beschädigung des Produkts führen.

Dieses Handbuch enthält viele wichtige Sicherheitshinweise, die von den Anwendern beachtet werden müssen.

## 1.3 Elektrizitätsbezogene Warnungen



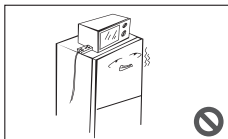
- Ziehen Sie nicht am Netzkabel, wenn Sie den Netzstecker des Kühlschranks ziehen. Bitte fassen Sie den Stecker fest an und ziehen Sie ihn direkt aus der Steckdose.
- Um eine sichere Verwendung zu gewährleisten, dürfen Sie das Netzkabel nicht beschädigen oder verwenden, wenn es beschädigt oder abgenutzt ist.



- Bitte verwenden Sie eine spezielle Steckdose und die Steckdose darf nicht mit anderen elektrischen Geräten geteilt werden. Der Netzstecker muss fest mit der Steckdose verbunden sein, da es sonst zu Bränden kommen kann.
- Achten Sie darauf, dass die Erdungselektrode der Steckdose mit einer zuverlässigen Erdungsleitung ausgestattet ist.

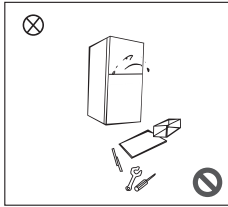


- Bitte drehen Sie das Ventil des austretenden Gases ab und öffnen Sie dann die Türen und Fenster, falls Gas und andere brennbare Gase austreten. Ziehen Sie nicht den Stecker des Kühlschranks und anderer elektrischer Geräte, da Funken einen Brand verursachen können.

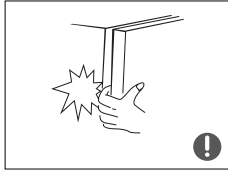


- Verwenden Sie keine elektrischen Geräte auf der Oberseite des Geräts, es sei denn, es handelt sich um den vom Hersteller empfohlenen Typ.

## 1.4 Warnhinweise zur Verwendung



- Den Kühlschrank nicht willkürlich zerlegen oder umbauen und den Kältemittelkreislauf nicht beschädigen; die Wartung des Geräts muss von einem Fachmann durchgeführt werden
- Ein beschädigtes Netzkabel muss durch den Hersteller, seine Wartungsabteilung oder entsprechendes Fachpersonal ersetzt werden, um Gefahren zu vermeiden.

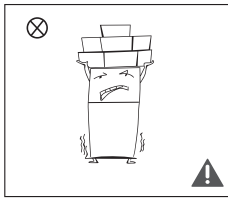


- Die Spalten zwischen den Kühlschranktüren und zwischen den Türen und dem Kühlschrankgehäuse sind klein, achten Sie darauf, Ihre Hand nicht in diese Bereiche zu stecken, um ein Quetschen der Finger zu vermeiden. Bitte gehen Sie beim Schließen der Kühlschranktür vorsichtig vor, um herabfallende Gegenstände zu vermeiden.

- Greifen Sie bei laufendem Kühlschrank nicht mit nassen Händen in den Gefrierraum, insbesondere nicht in Metallgefäße, um Erfrierungen zu vermeiden.

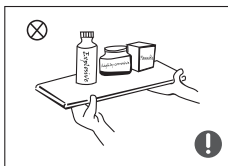


- Erlauben Sie keinem Kind, in den Kühlschrank einzusteigen oder auf ihn zu klettern; andernfalls besteht Erstickungsgefahr oder die Gefahr von Sturzverletzungen des Kindes.

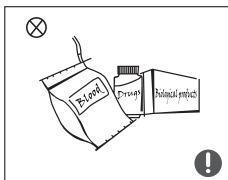


- Stellen Sie keine schweren Gegenstände auf die Oberseite des Kühlschranks, da diese beim Schließen oder Öffnen der Tür herunterfallen und zu Verletzungen führen können.
- Bitte ziehen Sie bei Stromausfall oder Reinigung den Stecker heraus. Schließen Sie den Kühlschrank nicht innerhalb von fünf Minuten an die Stromversorgung an, um Schäden am Kompressor durch aufeinanderfolgende Starts zu vermeiden.

## 1.5 Warnhinweise zur Platzierung von Gegenständen



- Legen Sie keine brennbaren, explosiven, flüchtigen und stark ätzenden Gegenstände in den Kühlschrank, um Schäden am Produkt oder Brandunfälle zu vermeiden.
- Stellen Sie keine brennbaren Gegenstände in die Nähe des Kühlschranks, um Brände zu vermeiden.



- Der Kühlschrank ist für den Haushaltsgebrauch, wie z. B. die Lagerung von Lebensmitteln, bestimmt; er darf nicht für andere Zwecke, wie z. B. die Lagerung von Blut, Medikamenten oder biologischen Produkten usw., verwendet werden.



- Lagern Sie Bier, Getränke oder andere Flüssigkeiten, die in Flaschen oder geschlossenen Behältern enthalten sind, nicht im Gefrierfach des Kühlschranks; andernfalls können die Flaschen oder geschlossenen Behälter durch das Gefrieren brechen und Schäden verursachen.

## 1.6 Warnungen für Energie

Warnungen zur Energie

- 1) Kühlgeräte arbeiten möglicherweise nicht konstant (Möglichkeit des Abtauens des Inhalts oder zu warme Temperatur im Gefrierfach), wenn sie über einen längeren Zeitraum unterhalb des kalten Endes des Temperaturbereichs, für den das Kühlgerät ausgelegt ist, aufgestellt werden.
- 2) Die Tatsache, dass Brausegetränke nicht in Gefrierfächern oder -schränken für Lebensmittel oder in Fächern oder Schränken mit niedriger Temperatur aufbewahrt werden sollten, und dass einige Produkte wie Wassereis nicht zu kalt konsumiert werden sollten;
- 3) Die Notwendigkeit, die vom Lebensmittelhersteller empfohlene(n) Lagerzeit(en) für jede Art von Lebensmitteln und insbesondere für kommerziell tiefgefrorene Lebensmittel in Tiefkühl- und Gefrierschrankfächern oder -schränken nicht zu überschreiten;
- 4) Die notwendigen Vorkehrungen, um einen übermäßigen Temperaturanstieg des Gefrierguts während des Abtauens des Kühlgeräts zu verhindern, wie z. B. das Einwickeln des Gefrierguts in mehrere Lagen Zeitungspapier.
- 5) Die Tatsache, dass ein Temperaturanstieg des Gefrierguts während des manuellen Abtauens, der Wartung oder Reinigung die Haltbarkeit verkürzen könnte.
- 6) Die Notwendigkeit, dass bei Türen oder Deckeln, die mit Schlössern und Schlüsseln ausgestattet sind, die Schlüssel außerhalb der Reichweite von Kindern und nicht in der Nähe des Kühlgeräts aufbewahrt werden, um zu verhindern, dass Kinder darin eingeschlossen werden.

## 1.7 Warnhinweise zur Entsorgung

Das für den Kühlschrank verwendete Kältemittel und das Cyclopentan-Schaummittel sind brennbar. Bei der Verschrottung des Kühlschranks ist dieser daher von jeglicher Feuerquelle fernzuhalten und durch ein spezielles Verwertungsunternehmen mit entsprechender Qualifikation zu verwerten, nicht aber durch Verbrennung zu entsorgen, um Umweltschäden oder andere Schäden zu vermeiden.



Wenn der Kühlschrank verschrottet wird, demontieren Sie die Türen und entfernen Sie die Dichtung der Tür und der Einlegeböden; stellen Sie die Türen und Einlegeböden an einem geeigneten Ort auf, damit kein Kind eingeklemmt wird.

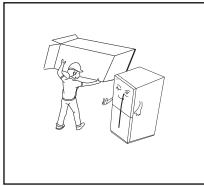


Korrekte Entsorgung dieses Produkts:

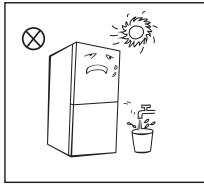
Diese Kennzeichnung gibt an, dass dieses Produkt in der gesamten EU nicht mit anderen Haushaltsabfällen entsorgt werden darf. Um mögliche Schäden für die Umwelt oder die menschliche Gesundheit durch unkontrollierte Abfallentsorgung zu vermeiden, recyceln Sie diese verantwortungsvoll, um die nachhaltige Wiederverwendung von Materialressourcen zu fördern. Um Ihr gebrauchtes Gerät zurückzugeben, nutzen Sie bitte die Rückgabe- und Abholssysteme oder wenden Sie sich an den Händler, bei dem das Produkt gekauft wurde. Sie können dieses Produkt einem umweltgerechten Recycling zuführen.

## 2 Richtige Verwendung des Kühlschranks

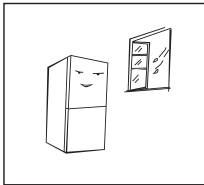
### 2.1 Platzierung



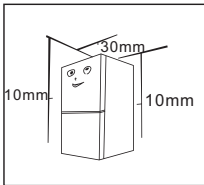
- Entfernen Sie vor dem Gebrauch alle Verpackungsmaterialien, einschließlich Bodenpolster, Schaumstoffpolster und Klebebänder im Inneren des Kühlschranks; reißen Sie die Schutzfolie an den Türen und am Kühlkörper ab.



- Von Hitze fernhalten und direkte Sonneneinstrahlung vermeiden. Stellen Sie das Gefriergerät nicht an feuchte oder wässrige Orte, um Rost oder eine Verringerung der Isolierwirkung zu vermeiden.
- Stellen Sie den Kühlschrank nicht an feuchten Orten auf, die leicht mit Wasser bespritzt werden können, um die elektrischen Isolationseigenschaften des Kühlschranks nicht zu beeinträchtigen.



- Der Kühlschrank wird an einem gut belüfteten Ort in einem Innenraum aufgestellt; der Boden muss eben und stabil sein (drehen Sie das Rad nach links oder rechts, um es zu nivellieren, falls es instabil ist).



- Der obere Raum des Kühlschranks muss größer als 30 cm sein, und der Kühlschrank sollte mit einem freien Abstand von mehr als 10 cm an die Wand gestellt werden, um die Wärmeabfuhr zu erleichtern.



Vorsichtsmaßnahmen vor der Installation:

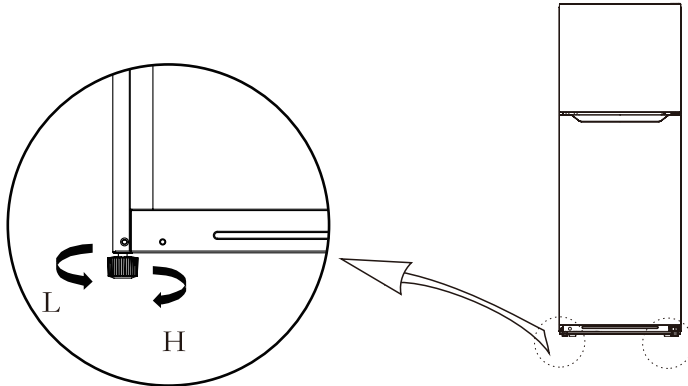
Vor der Installation oder Einstellung von Zubehör muss sichergestellt werden, dass der Kühlschrank vom Strom getrennt ist.

Es sind Vorkehrungen zu treffen, um zu verhindern, dass durch das Herabfallen des Handgriffs Verletzungen von Personen verursacht werden.



## 2.2 Nivellierfüße

Schematische Darstellung der Nivellierfüße



(Das Bild oben dient nur als Referenz. Die tatsächliche Konfiguration hängt vom physischen Produkt oder von den Angaben des Händlers ab)

Abgleichverfahren:

- Drehen Sie die Füße im Uhrzeigersinn, um den Kühlschrank anzuheben;
- Drehen Sie die Füße gegen den Uhrzeigersinn, um den Kühlschrank abzusenken;
- Stellen Sie den rechten und linken Fuß anhand der oben beschriebenen Verfahren auf eine horizontale Ebene ein.

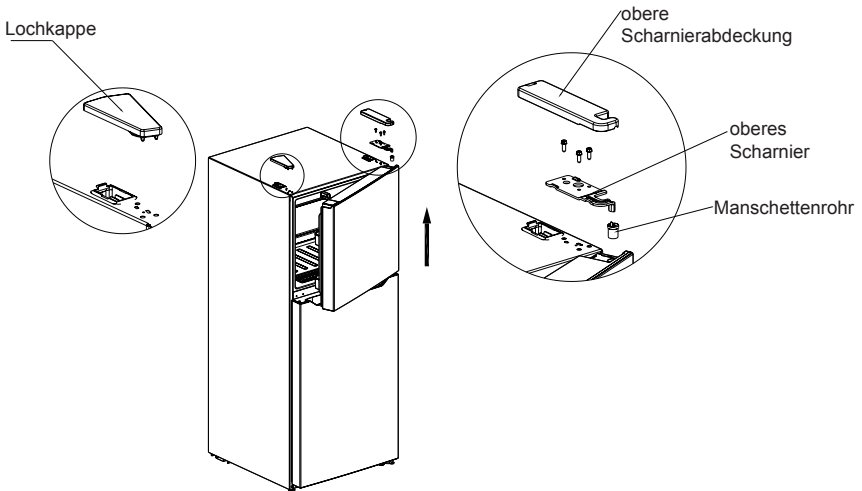
## 2.3 Tür Rechts-Links-Wechsel

Liste der vom Anwender bereitzustellenden Werkzeuge			
	Kreuzschraubendreher		Dünnklingen-Schraubendreher für Spachtelmesser
	5/16" Steckdose und Ratsche		Abdeckband

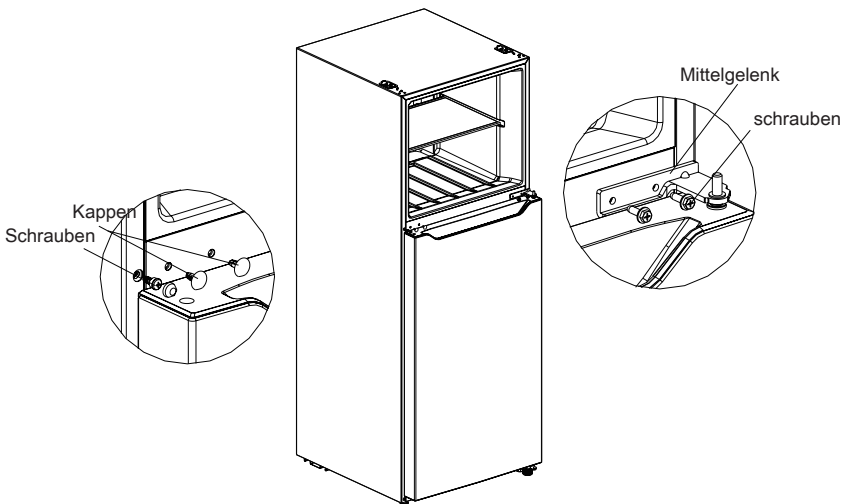
Für die Türrückseite zu verwendende Teile			
Nummer	Name	Nummer	Hinweis
1	Rechtes oberes Scharnier	1	Am Kühlschrank vorinstalliert, beim Umlegen der Tür entfernt und für den späteren Gebrauch aufbewahrt
2	Obere rechte Scharnierabdeckung	1	Am Kühlschrank vorinstalliert, beim Umlegen der Tür entfernt und für den späteren Gebrauch aufbewahrt
3	Lochabdeckung	1	Auf dem Kühlschrank vorinstalliert, wird auch bei umgekehrter Tür verwendet
4	Stopper	1	Auf dem Kühlschrank vorinstalliert, wird auch bei umgekehrter Tür verwendet
5	Stopper Unteres Scharnier	1	Auf dem Kühlschrank vorinstalliert, wird auch bei umgekehrter Tür verwendet
6	Nivellierfüße	1	Auf dem Kühlschrank vorinstalliert, wird auch bei umgekehrter Tür verwendet
7	CapofLeft-Abdeckung	1	Vorinstalliert am Gefrierschrank, wird auch bei umgekehrter Tür verwendet
8	Linkes oberes Scharnier	1	In der beiliegenden Plastiktüte herausnehmen und bei umgekehrter Türstellung verwenden
9	Obere linke Scharnierabdeckung	1	In der beiliegenden Plastiktüte herausnehmen und bei umgekehrter Türstellung verwenden
10	CapofRight-Abdeckung	1	In der beiliegenden Plastiktüte herausnehmen und bei umgekehrter Türstellung verwenden

1) Bitte schalten Sie das Gerät aus, bevor Sie diesen Vorgang durchführen. Entfernen Sie alle Lebensmittel aus den Türregalen.

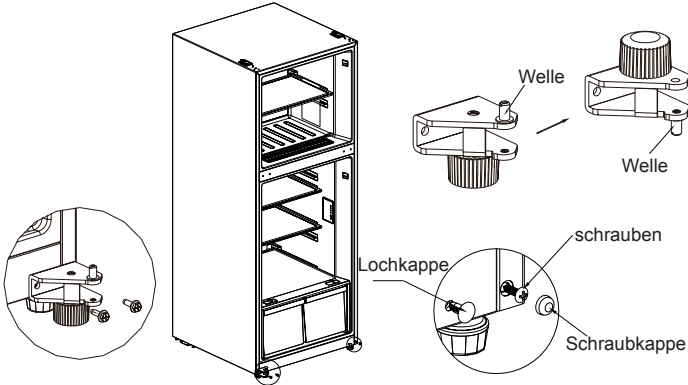
2) Entfernen Sie die Lochkappe, die obere Scharnierabdeckung, die Befestigungsschrauben des oberen Scharniers, das obere Scharnier und das Muffenrohr und heben Sie dann die Gefrierschranktür an, bis sie vollständig vom Schrank getrennt ist.



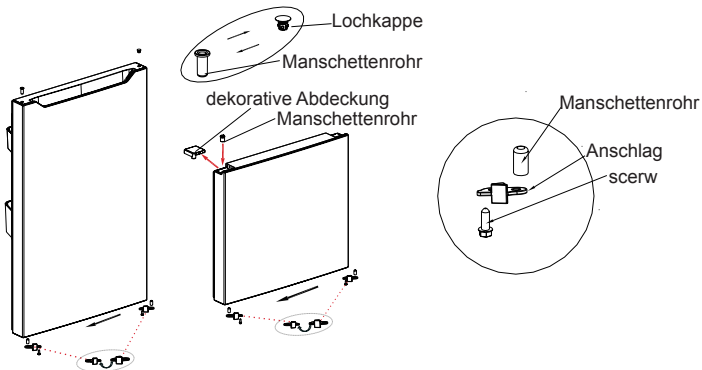
3) Entfernen Sie die Lochkappen und die Befestigungsschrauben des mittleren Scharniers und des mittleren Scharniers, und entfernen Sie die Schrauben und Schraubenkappen auf der anderen Seite, dann heben Sie die Kühlschranktür an, bis sie vollständig vom Schrank getrennt ist.



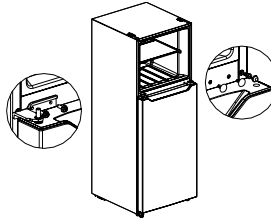
4) Entfernen Sie die untere Scharnierbaugruppe von der unteren rechten Ecke und entfernen Sie die Lochkappe und die Schraubkappe von der unteren linken Ecke; demontieren Sie die Scharnierwelle und den verstellbaren Fuß und installieren Sie sie auf der anderen Seite des unteren Scharniers; installieren Sie dann die untere Scharnierbaugruppe an der unteren linken Ecke mit passenden Schrauben und installieren Sie die Lochkappe und die Schraubkappe an der unteren rechten Ecke.



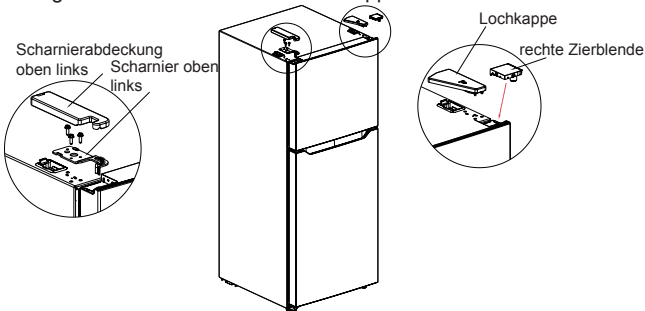
5) Demontieren Sie die Stopper, Muffenrohre der Kühlschranktür und der Gefrierschranktür und montieren Sie sie auf der anderen Seite der beiden Türen; tauschen Sie die Installationsposition des Muffenrohrs und der Lochkappe an der oberen Endkappe der Kühlschranktür aus; entfernen Sie die linke dekorative Abdeckung der Gefrierschranktür und verschieben Sie das Muffenrohr



6) Bringen Sie die Kühlfachtür am unteren Scharnier an und montieren Sie dann das mittlere Scharnier, die Schrauben und Kappen.



7) Nehmen Sie das linke obere Scharnier, die linke obere Scharnierabdeckung und die rechte Zierabdeckung aus dem Zubehörbeutel, montieren Sie die Gefrierschranktür am mittleren Scharnier, und bringen Sie das linke obere Scharnier, die linke Scharnierabdeckung und die Lochabdeckung an. Bringen Sie abschließend die rechte Zierabdeckung an der rechten Seite der Endkappe der Gefrierschranktür an.

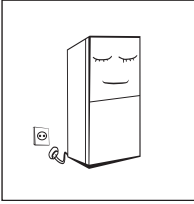


(Das obige Bild dient nur als Referenz. Die tatsächliche Konfiguration hängt vom physischen Produkt oder der Erklärung des Vertreibers ab)

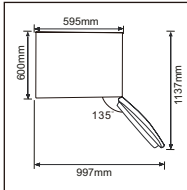
## 2.4 Ändern der Beleuchtung

Der Austausch oder die Wartung der LED-Lampen soll durch den Hersteller, seinen Servicepartner oder eine ähnlich qualifizierte Person erfolgen.

## 2.5 Beginn



- Lassen Sie den Kühlschrank vor der ersten Inbetriebnahme zwei Stunden lang still stehen, bevor Sie ihn an die Stromversorgung anschließen.
- Bevor Sie frische oder gefrorene Lebensmittel einlegen, muss der Kühlschrank 2 bis 3 Stunden laufen, im Sommer bei hohen Umgebungstemperaturen über 4 Stunden.



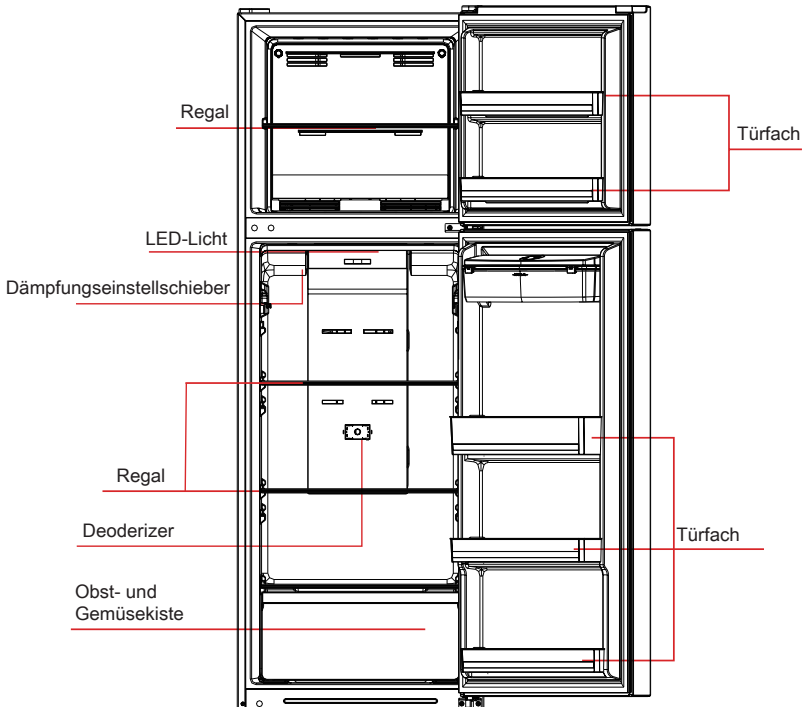
- Genügend Platz für ein bequemes Öffnen der Türen und Schubladen oder eine Erklärung des Verteilers.

## 2.6 Energiespartipps

- Das Gerät sollte im kühlestem Bereich des Raumes, entfernt von wärmeerzeugenden Geräten oder Heizungskanälen und außerhalb der direkten Sonneneinstrahlung aufgestellt werden.
- Lassen Sie heiße Speisen auf Raumtemperatur abkühlen, bevor Sie sie in das Gerät geben. Eine Überlastung des Geräts zwingt den Kompressor, länger zu laufen. Lebensmittel, die zu langsam einfrieren, können an Qualität verlieren oder verderben.
- Achten Sie darauf, dass Sie die Lebensmittel gut einpacken und die Behälter trocken wischen, bevor Sie sie in das Gerät stellen, um die Bildung von Reif im Inneren des Geräts zu vermeiden.
- Der Gerätelagerbehälter sollte nicht mit Aluminiumfolie, Wachspapier oder Papiertüchern ausgekleidet werden. Auskleidungen behindern die Kaltluftzirkulation und machen das Gerät weniger effizient.
- Organisieren und beschriften Sie Lebensmittel, um Türöffnungen und langes Suchen zu reduzieren. Nehmen Sie so viele Gegenstände wie nötig auf einmal heraus, und schließen Sie die Tür so schnell wie möglich.

## 3 Aufbau und Funktionen

### 3.1 Hauptkomponenten



(Das obige Bild dient nur als Referenz. Die tatsächliche Konfiguration hängt vom physischen Produkt oder der Erklärung des Vertreibers ab)

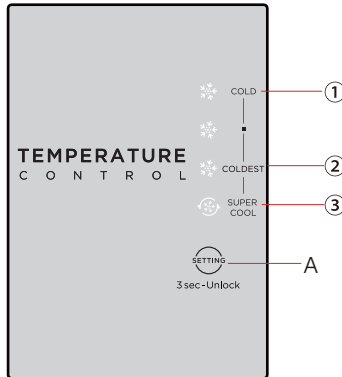
#### Kühlkammer

- Die Kühlkammer eignet sich für die Lagerung einer Vielzahl von Obst, Gemüse, Getränken und anderen Lebensmitteln, die kurzfristig verbraucht werden.
- Kochende Lebensmittel dürfen nicht in den Kühlraum gestellt werden, bevor sie auf Raumtemperatur abgekühlt sind.
- Es wird empfohlen, Lebensmittel zu verschließen, bevor sie in den Kühlschrank gestellt werden.
- Die Glaseinlegeböden können nach oben oder unten verstellt werden und bieten so ausreichend Stauraum und eine einfache Handhabung.

#### Gefrierkammer

- Die Niedrigtemperatur-Gefrierkammer kann Lebensmittel lange frisch halten und wird hauptsächlich zur Lagerung von Tiefkühlkost und zur Eisherstellung verwendet.
- Die Gefrierkammer ist geeignet für die Lagerung von Fleisch, Fisch, Reisbällchen und anderen Lebensmitteln, die nicht kurzfristig verbraucht werden sollen.
- Fleischstücke sind vorzugsweise in kleine Stücke zu zerteilen, damit sie leicht zugänglich sind. Bitte beachten Sie, dass die Lebensmittel innerhalb der Haltbarkeitsdauer verbraucht werden müssen.

## 3.2 Funktionen



(Das obige Bild dient nur als Referenz. Die tatsächliche Konfiguration hängt vom physischen Produkt oder der Erklärung des Vertreibers ab)

### 1) Taste

A. Temperatureinstelltaste des Kühlfachs

### 2) Anzeigebildschirm

- ① Einstellung 1: KALTE
- ② Einstellung 2: •
- ③ Einstellung 3: KÄLTESTE
- ④ Einstellung 4: SUPER COOL

### 3) Anzeige

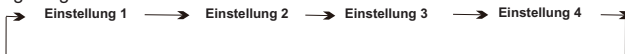
Wenn Sie den Kühlschrank zum ersten Mal mit Strom versorgen, leuchtet der Bildschirm 3 Sekunden lang voll auf, und dann läuft der Kühlschrank gemäß Einstellung 3. Im Falle einer Störung blinkt die entsprechende LED. Wenn keine Störungen vorliegen, zeigt es die Temperatureinstellung des Kühlschranks an.

Fehlercode	Beschreibung des Fehlers
Blinkerstellung 1 und Einstellung 2	Kühlschranktemperaturfühler
Blinkerstellung 1 und Einstellung 3	Gefrierschrank-Abtaufühler
Blinkerstellung 1 und Einstellung 4	Sensor für die Umgebungstemperatur

### 4) Temperatureinstellung

Jedes Mal, wenn die Temperatureinstelltaste A einmal gedrückt wird, ändert sich die Temperatureinstellung um ein Mal. Nachdem die Temperatureinstellung abgeschlossen ist, läuft der Kühlschrank nach 15 Sekunden entsprechend dem eingestellten Wert.

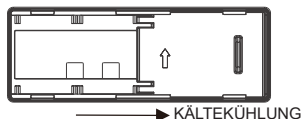
Die Schichtregelung ist:



### 5) Sperren/Entsperren

Wenn sich das Temperaturbedienfeld im gesperrten Zustand befindet, muss die Temperatureinstelltaste 3 Sekunden lang gedrückt werden, um das Bedienfeld zu entsperren; alle LEDs blinken 2 Sekunden lang, wenn das Bedienfeld entsperrt ist. Wenn sich das Temperaturbedienfeld im entsperrten Zustand befindet und innerhalb von 15 Sekunden keine Bedienung am Bedienfeld erfolgt, wird es automatisch in den gesperrten Zustand versetzt.

### 6) Dämpfungseinstellschieber



Die Ausgangsposition des Dämpfungseinstellschiebers ist ganz rechts. Es wird empfohlen, ihn ruhig zu halten. Wenn Sie sich nach links bewegen, steigt die Temperatur des Kühlschranks.

## 4 Wartung und Pflege des Kühlschranks

### 4.1 Allgemeine Reinigung

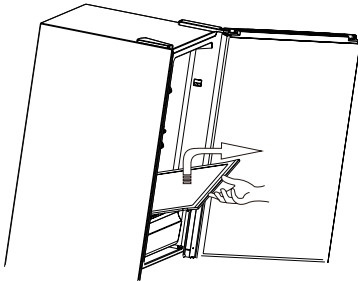
- Staub hinter dem Kühlschrank und auf dem Boden muss rechtzeitig gereinigt werden, um die Kühlwirkung zu verbessern und Energie zu sparen.
- Prüfen Sie die Türdichtung regelmäßig, um sicherzustellen, dass keine Ablagerungen vorhanden sind. Reinigen Sie die Türdichtung mit einem weichen, mit Seifenlauge oder verdünntem Reinigungsmittel angefeuchteten Tuch.
- Der Innenraum des Kühlschranks sollte regelmäßig gereinigt werden, um Geruchsbildung zu vermeiden.
- Bitte schalten Sie das Gerät vor der Innenreinigung aus, entfernen Sie alle Lebensmittel, Getränke, Ablagen, Schubladen usw.
- Verwenden Sie ein weiches Tuch oder einen Schwamm, um die Innenseite des Kühlschranks mit zwei Esslöffeln Backpulver und einem Liter warmem Wasser zu reinigen. Anschließend mit Wasser abspülen und abwischen. Öffnen Sie nach der Reinigung die Tür und lassen Sie sie an der Luft trocknen, bevor Sie das Gerät wieder einschalten.
- Bei schwer zu reinigenden Bereichen im Kühlschrank (z. B. schmale Zwischenräume, Spalten oder Ecken) empfiehlt es sich, diese regelmäßig mit einem weichen Lappen, einer weichen Bürste usw. abzuwischen, ggf. kombiniert mit einigen Hilfsmitteln (z. B. dünnen Stäbchen), um sicherzustellen, dass sich in diesen Bereichen keine Verunreinigungen oder Bakterien ansammeln.
- Verwenden Sie keine Seife, Reinigungsmittel, Scheuerpulver, Sprühreiniger usw., da diese Gerüche im Inneren des Kühlschranks oder verunreinigte Lebensmittel verursachen können.
- Reinigen Sie den Flaschenrahmen, die Einlegeböden und Schubladen mit einem weichen, mit Seifenwasser oder verdünntem Reinigungsmittel angefeuchteten Tuch. Mit einem weichen Tuch abtrocknen oder natürlich trocknen.
- Wischen Sie die Außenfläche des Kühlschranks mit einem weichen Tuch ab, das mit Seifenwasser, Spülmittel usw. angefeuchtet wurde, und wischen Sie anschließend trocken.
- Verwenden Sie keine harten Bürsten, keine sauberen Stahlkugeln, keine Drahtbürsten, keine Scheuermittel (z. B. Zahnpasta), keine organischen Lösungsmittel (z. B. Alkohol, Aceton, Bananenöl usw.), kein kochendes Wasser, keine säurehaltigen oder alkalischen Gegenstände, die die Kühloberfläche und das Innere beschädigen können. Kochendes Wasser und organische Lösungsmittel wie z. B. Benzol können Kunststoffteile verformen oder beschädigen.
- Spülen Sie bei der Reinigung nicht direkt mit Wasser oder anderen Flüssigkeiten, um Kurzschlüsse zu vermeiden oder die elektrische Isolierung nach dem Eintauchen zu beeinträchtigen.



⚠ Bitte ziehen Sie den Kühlschrank zum Abtauen und Reinigen aus der Steckdose.

### 4.2 Reinigung der Türwanne

- Heben Sie die Vorderseite der Glasablage an, und ziehen Sie sie dann heraus;
- Entfernen Sie die Glasablage und reinigen Sie sie bei Bedarf;
- Der umgekehrte Vorgang gilt für die Montage der Glasablage.





## 4.3 Abtauen

- Der Kühlschrank ist nach dem Luftkühlungsprinzip aufgebaut und verfügt daher über eine automatische Abtaufunktion. Frost, der sich durch den Wechsel der Jahreszeit oder der Temperatur gebildet hat, kann auch manuell entfernt werden, indem das Gerät von der Stromversorgung getrennt wird oder mit einem trockenen Tuch abgewischt wird.

## 4.4 Außer Betrieb

- Stromausfall: Bei einem Stromausfall, auch im Sommer, können die Lebensmittel im Gerät mehrere Stunden aufbewahrt werden; während des Stromausfalls werden die Zeiten für das Öffnen der Tür reduziert, und es dürfen keine frischen Lebensmittel mehr in das Gerät gegeben werden.
- Langjähriger Nichtgebrauch: Das Gerät ist auszustecken und dann zu reinigen; anschließend sind die Türen offen zu lassen, um Geruch zu vermeiden.
- Umziehen: Bevor der Kühlschrank bewegt wird, nehmen Sie alle Gegenstände aus dem Inneren heraus, fixieren Sie die Glastrennwände, den Gemüsehalter, die Gefrierfachschubladen usw. mit Klebeband und ziehen Sie die Stellfüße fest; schließen Sie die Türen und fixieren Sie sie mit Klebeband. Während des Transports darf das Gerät nicht auf den Kopf oder in die Waagerechte gelegt oder erschüttert werden; die Neigung während des Transports darf nicht mehr als 45° betragen.



Das Gerät muss kontinuierlich laufen, sobald es gestartet ist. Generell darf der Betrieb des Geräts nicht unterbrochen werden, da sonst die Lebensdauer beeinträchtigt werden kann

## 5 Fehlersuche

Sie können versuchen, die folgenden einfachen Aufgaben selbst zu lösen. Wenn sie nicht gelöst werden können, wenden Sie sich bitte an den Kundendienst.

Fehlgeschlagene Operation	Prüfen Sie, ob das Gerät an das Stromnetz angeschlossen ist oder ob der Stecker guten Kontakt hat. Prüfen Sie, ob die Spannung zu niedrig ist. Prüfen Sie, ob ein Stromausfall vorliegt oder Teilstromkreise ausgelöst haben.
Geruch	Geruchsintensive Lebensmittel müssen fest verpackt sein. Prüfen Sie, ob verdorbene Lebensmittel vorhanden sind. Reinigen Sie das Innere des Kühlschranks.
Langfristiger Betrieb des Kompressors	Im Sommer, wenn die Umgebungstemperatur hoch ist, ist ein langer Betrieb des Kühlschranks normal. Es ist nicht sinnvoll, zu viele Lebensmittel gleichzeitig im Gerät zu haben. Die Lebensmittel müssen abkühlen, bevor sie in das Gerät gegeben werden. Die Türen werden zu häufig geöffnet.
Licht leuchtet nicht	Prüfen Sie, ob der Kühlschrank an das Stromnetz angeschlossen ist und ob das Leuchtmittel beschädigt ist.
Türen lassen sich nicht richtig schließen	Die Tür ist durch Lebensmittelpakete verklemmt. Der Kühlschrank ist gekippt.
Lautes Geräusch	Prüfen Sie, ob der Boden eben ist und ob der Kühlschrank stabil steht. Prüfen Sie, ob das Zubehör an den richtigen Stellen angebracht ist.
Türdichtung ist nicht dicht	Entfernen Sie Fremdkörper auf der Türdichtung. Erhitzen Sie die Türdichtung und kühlen Sie sie anschließend zur Wiederherstellung ab (oder blasen Sie sie mit einem elektrischen Föhn oder verwenden Sie ein heißes Handtuch zum Erhitzen).
Wasserwanne läuft über	Es befinden sich zu viele Lebensmittel in der Kammer oder die eingelagerten Lebensmittel enthalten zu viel Wasser, was zu einem starken Abtauen führt. Die Türen sind nicht richtig geschlossen, was zu Vereisung durch Luftzutritt und erhöhter Wasserbildung durch Abtauen führt.
Heißes Gehäuse	Wärmeableitung des eingebauten Kondensators über das Gehäuse, was normal ist. Wenn das Gehäuse durch hohe Umgebungstemperatur, Lagerung von zu vielen Lebensmitteln oder Abschalten des Kompressors heiß wird, sorgen Sie für eine gute Belüftung, um die Wärmeabfuhr zu erleichtern.
Oberflächenkondensation	Kondenswasserbildung an der Außenfläche und den Türdichtungen des Kühlschranks ist normal, wenn die Umgebungsfeuchtigkeit zu hoch ist. Wischen Sie das Kondensat einfach mit einem sauberen Handtuch ab.
Abnormales Rauschen	Buzz: Der Kompressor kann während des Betriebs Brummgeräusche erzeugen, die besonders beim Start oder Stopp laut sind. Dies ist normal. Knarren: Im Inneren des Geräts fließendes Kältemittel kann ein Knarren erzeugen, was normal ist.

Tabelle 1 Klimaklassen

Klasse	Symbol	Umgebungstemperaturbereich °C
<b>Erweiterte Temperierung</b>	<b>SN</b>	<b>+ 10 bis + 32</b>
<b>Temperiert</b>	<b>N</b>	<b>+ 16 bis + 32</b>
<b>Subtropisch</b>	<b>ST</b>	<b>+ 16 bis + 38</b>
<b>Tropisch</b>	<b>T</b>	<b>+ 16 bis + 43</b>

Erweiterte Temperierung: 'dieses Kühlgerät ist für den Betrieb bei Umgebungstemperaturen vorgesehen

im Bereich von 10 °C bis 32 °C';

gemäßigt: 'dieses Kühlgerät ist für den Einsatz bei Umgebungstemperaturen im Bereich von 16 °C bis 32 °C';

Subtropisch: 'dieses Kühlgerät ist für den Einsatz bei Umgebungstemperaturen im Bereich von 16 °C bis 38 °C';

Tropisch: 'dieses Kühlgerät ist für den Einsatz bei Umgebungstemperaturen im Bereich von 16 °C bis 43 °C';

Die bestellten Teile in der folgenden Tabelle können über Kanal XXX bezogen werden:

Bestellter Teil	Bereitgestellt von	Minimaler Zeitbedarf für die Bereitstellung
Thermostate	Professionelles Wartungspersonal	Mindestens 7 Jahre nach Markteinführung des letzten Modells
Temperatursensoren	Professionelles Wartungspersonal	Mindestens 7 Jahre nach Markteinführung des letzten Modells
Leiterplatten	Professionelles Wartungspersonal	Mindestens 7 Jahre nach Markteinführung des letzten Modells
Lichtquellen	Professionelles Wartungspersonal	Mindestens 7 Jahre nach Markteinführung des letzten Modells
Türgriffe	Professionelle Reparateure und Endverbraucher	Mindestens 7 Jahre nach Markteinführung des letzten Modells
Türscharniere	Professionelle Reparateure und Endverbraucher	Mindestens 7 Jahre nach Markteinführung des letzten Modells
Tabletts	Professionelle Reparateure und Endverbraucher	Mindestens 7 Jahre nach Markteinführung des letzten Modells
Körbe	Professionelle Reparateure und Endverbraucher	Mindestens 7 Jahre nach Markteinführung des letzten Modells
Türdichtungen	Professionelle Reparateure und Endverbraucher	Mindestens 10 Jahre nach Markteinführung des letzten Modells

Lieber Kunde

1. Wenn Sie das Produkt zurückgeben oder ersetzen möchten, wenden Sie sich bitte an das Geschäft, in dem Sie es gekauft haben.

(Denken Sie daran, die Kaufrechnung mitzubringen)

2. Wenn Ihr Produkt kaputt geht und repariert werden muss, wenden Sie sich bitte an den Kundendienst.

Telefon:

E-Mail Adresse:



## MANUAL DO USUÁRIO

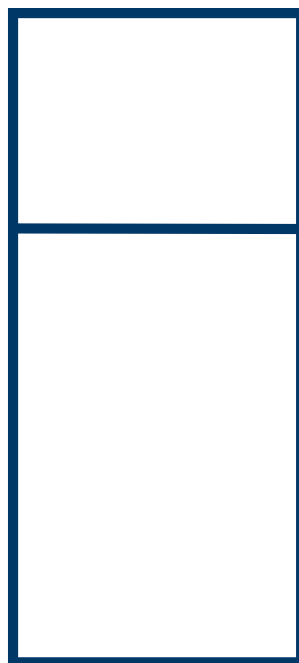
### FRIGORÍFICO

#### Congelador superior



**Aviso:**

Antes de usar este produto, por favor leia este manual com atenção e guarde-o para referência futura. O design e especificações estão sujeitos a mudanças sem aviso prévio para produto melhoria. Consulte com o seu revendedor ou fabricante para detalhes.



**MODEL: MDRT489MTE**  
**SERIES**

[www.midea.com](http://www.midea.com)

## CONTEÚDO

1 Avisos de segurança	
1.1 Aviso .....	1-2
1.2 Significado dos símbolos de aviso de segurança.....	3
1.3 Avisos relacionados à eletricidade .....	3
1.4 Avisos para utilização .....	4
1.5 Avisos de colocação .....	4-5
1.6 Avisos relacionados à energia.....	5
1.7 Avisos para eliminação .....	5
2 Uso adequado do frigorífico	
2.1 Instalar o aparelho.....	6
2.2 Pés de nivelamento .....	7
2.3 Mudança direita-esquerda da abertura das portas .....	7-10
2.4 Como mudar a lâmpada .....	10
2.5 Iniciar .....	10
2.6 Dicas para poupar energia .....	10
3 Estrutura e funções	
3.1 Componentes principais .....	11
3.2 Funções.....	12
4 Manutenção e cuidados do frigorífico	
4.1 Limpeza geral .....	13
4.2 Limpeza da prateleira da porta.....	13
4.3 Descongelamento.....	14
4.4 Fora de serviço.....	14
5 Resolução de problemas .....	15
6 Parâmetros.....	16

## 1. AVISOS DE SEGURANÇA



**AVISO:** Risco de incêndio / Materiais inflamáveis.

**ESTE** aparelho deve ser usado em aplicações domésticas e semelhantes, como cozinhas de funcionários em lojas, escritórios e outros ambientes de trabalho; casas de fazenda e por clientes em hotéis, motéis e outros ambientes residenciais; ambientes do tipo pousada; restauração e aplicações semelhantes não de varejo.

**ESTE** aparelho não se destina ao uso por pessoas (incluindo crianças) com reduzidas capacidades físicas, sensoriais ou mentais ou falta de experiência e conhecimento, a menos que tenham recebido supervisão ou instrução sobre a utilização do aparelho por uma pessoa responsável pela sua segurança.

**As** crianças devem ser supervisionadas para garantir que não brincam com o aparelho. SE o cabo de alimentação estiver danificado, deverá ser substituído pelo fabricante, o vendedor de serviço ou pessoas com qualificações semelhantes, a fim de evitar riscos.

**NÃO** guarde substâncias explosivas como latas de aerossol com propulsor inflamável dentro deste aparelho.

O aparelho deve ser desligado após o uso e antes de realizar a manutenção no aparelho.

**AVISO:** Mantenha as aberturas de ventilação, na caixa do aparelho ou na estrutura embutida, sem obstruções.

**AVISO:** Não use dispositivos mecânicos ou outros meios para acelerar o processo de descongelamento, além daqueles recomendados pelo fabricante.

**AVISO:** Não danifique o circuito de refrigeração.

**AVISO:** Não utilize aparelhos elétricos dentro dos compartimentos de armazenamento de alimentos do aparelho, a menos que sejam do tipo recomendado pelo fabricante.

**AVISO:** Elimine o frigorífico de acordo com os regulamentos locais, pois utiliza gás de sopro e refrigerante inflamáveis.

**AVISO:** Ao posicionar o aparelho, certifique-se de que o cabo de alimentação não fique preso ou danificado.

**AVISO:** Não coloque várias tomadas portáteis ou fontes de alimentação portáteis na parte traseira do dispositivo.

**NÃO** use cabos de extensão ou adaptadores não aterrados (dois pinos).

**PERIGO:** Risco de aprisionamento de crianças. Antes de deitar fora o seu antigo frigorífico ou congelador:

- Retire as portas.
  - Deixe as prateleiras no lugar para que as crianças não possam aceder facilmente ao interior.
- O frigorífico deve ser desligado da fonte de alimentação eléctrica antes de tentar a instalação de acessórios.

O material espumante refrigerante e ciclopentano utilizado para o aparelho é inflamável.

**Portanto**, quando o aparelho é descartado, o mesmo deve ser mantido longe de qualquer

fonte de incêndio e ser recuperada por uma empresa recuperadora especial com qualificações correspondentes que não seja descartada por combustão, de modo a evitar danos ao meio ambiente ou qualquer outro dano

**PARA** a norma EN: Este aparelho pode ser usado por crianças a partir dos 8 anos de idade e por pessoas com capacidades físicas, sensoriais ou mentais reduzidas ou falta de experiência e conhecimento se elas receberem supervisão ou instruções relacionadas ao uso do aparelho de modo seguro e entenderem os perigos envolvidos. As crianças não devem brincar com o aparelho. A limpeza e a manutenção do aparelho não podem ser feitas por crianças sem supervisão. Crianças com idade entre 3 e 8 anos podem colocar ou retirar alimentos do aparelho.

**A** necessidade de que, para portas ou tampas equipadas com fechaduras e chaves, as chaves sejam mantidas fora do alcance das crianças e não nas proximidades do aparelho frigorífico, a fim de evitar que as crianças fiquem trancadas no interior.

**PARA** evitar a contaminação dos alimentos, respeite as seguintes instruções:

- A abertura da porta por longos períodos pode causar um aumento significativo da temperatura nos compartimentos do aparelho.

- Limpe regularmente as superfícies que possam entrar em contacto com alimentos e sistemas de drenagem acessíveis.

- Limpe os tanques de água, se não forem utilizados por 48 h; lave o sistema de água conectado a um suprimento de água se a água não for retirada por 5 dias. (nota 1)

- Armazene carne crua e peixe em recipientes adequados no refrigerador, para que não fique em contacto ou pingue em outros alimentos.

– Os compartimentos de comida congelada de duas estrelas --são adequados para armazenar alimentos pré-congelados, armazenar ou fazer sorvetes e fazer cubos de gelo. (nota 2)

– Compartimentos de uma -, duas -e três estrelas não são adequados para o congelamento de alimentos frescos. (nota 3).

- Se o aparelho de refrigeração ficar vazio durante longos períodos, desligue, descongele, limpe, seque e deixe a porta aberta para evitar o desenvolvimento de bolor dentro do aparelho.

– Para aparelhos sem compartimento de 4 estrelas, este aparelho frigorífico não é adequado para congelar alimentos. (nota 4)

Nota 1,2,3,4: Confirme se é aplicável de acordo com o tipo de compartimento do produto.




**PARA** um aparelho autónomo: este aparelho frigorífico não se destina a ser utilizado como aparelho de refrigeração incorporado

um aparelho.

**QUALQUER** substituição ou manutenção das lâmpadas LED destina-se a ser feita pelo fabricante, e o seu agente de serviço ou pessoa qualificada semelhante.

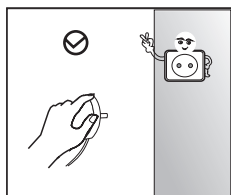


## 1.2 Significado dos símbolos de aviso de segurança

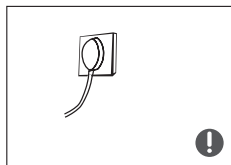
	Este é um símbolo de proibição. Qualquer incompatibilidade com as instruções marcadas com este símbolo pode resultar em danos ao produto ou pôr em perigo a segurança pessoal do utilizador.
	Este é um símbolo de aviso. É obrigado a seguir em estrita observância as instruções marcadas com este símbolo; ou poderá causar danos ao produto ou pessoais.
	Este é um símbolo de advertência. Preste atenção especial às instruções marcadas com este símbolo. Falta de cuidado pode resultar em ferimentos leves ou moderados, ou danos ao produto.

Este manual contém muita informação de segurança importante que deve ser entendida pelos utilizadores.

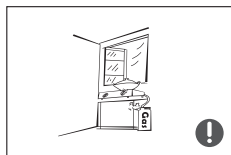
## 1.3 Avisos relacionados à eletricidade



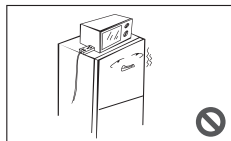
- Não puxar o cabo elétrico ao puxar a ficha do frigorífico. Por favor, agarre a ficha firmemente e puxe-a diretamente da tomada.
- Para garantir uma utilização segura, não danifique o cabo de alimentação nem utilize o mesmo quando este estiver danificado ou gasto.



- Utilize uma tomada específica e esta não deve ser partilhada com outros aparelhos elétricos. A ficha de alimentação deve ser conectada com firmeza com a tomada, caso contrário, poderá ocorrer incêndio.
- Por favor, assegure-se de que o eletrodo de ligação à terra da tomada está equipado com um fio terra fiável.

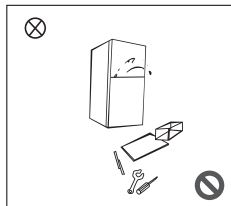


- Por favor, feche a válvula de fuga de gás e depois abra as portas e janelas no caso de fuga de gás e outros gases inflamáveis. Não desligue o frigorífico e outros aparelhos elétricos considerando que a fásca pode causar um incêndio.

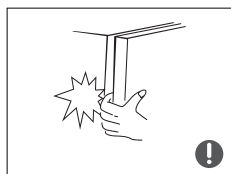


- Não utilize aparelhos elétricos na parte superior do aparelho, exceto se forem recomendados pelo fabricante.

## 1.4 Avisos para utilização



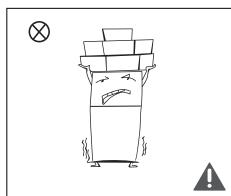
- Não desmonte ou reconstrua arbitrariamente o frigorífico, nem danifique o circuito de refrigeração; a manutenção do aparelho deve ser conduzida por um especialista.
- O cabo de alimentação danificado tem de ser substituído pelo fabricante, pelo seu departamento de manutenção ou por profissionais relacionados para evitar perigo.



- Os espaços entre as portas dos frigoríficos e entre as portas e o corpo do frigorífico são pequenos, note-se que não deve colocar a mão nestas áreas para evitar que se aperte o dedo. Por favor, seja gentil ao fechar a porta do frigorífico para evitar a queda de artigos.
- Não pegue em alimentos ou recipientes com as mãos molhadas na câmara de congelação quando o frigorífico estiver a funcionar, especialmente recipientes de metal, a fim de evitar queimaduras por congelação.

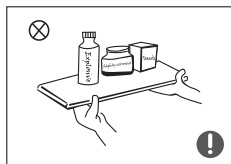


- Não permita que as crianças subam ou entrem para o aparelho, caso contrário poderão sofrer lesões tais como sufocamento ou queda.

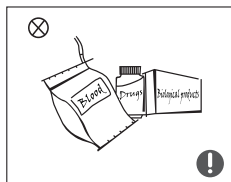


- Não coloque objetos pesados no topo do frigorífico considerando que os objetos podem cair quando se fecha ou abre a porta, e que podem ser causados ferimentos acidentais.
- Por favor, retire a ficha da tomada no caso de falha de energia ou quando efetuar limpeza. Não ligue o frigorífico à rede elétrica dentro de cinco minutos para evitar danos no compressor devido a arranques sucessivos.

## 1.5 Avisos para colocação de itens



- Não coloque artigos inflamáveis, explosivos, voláteis e altamente corrosivos no frigorífico para evitar danos no produto ou acidentes de incêndio.
- Não coloque artigos inflamáveis perto do frigorífico para evitar incêndios.



- Este aparelho destina-se somente a uso doméstico, como o armazenamento dos alimentos. Não deve ser utilizado para outros fins, tais como armazenamento de sangue, medicamentos ou produtos biológicos, etc.



- Não armazene cerveja, bebida ou outro líquido contido em garrafas ou recipientes fechados no compartimento de congelação do aparelho; caso contrário, as garrafas ou recipientes fechados poderão quebrar devido ao congelamento e causar danos.

## 1.6 Avisos relacionados à energia

Avisos de energia

- 1) Os aparelhos de refrigeração podem não funcionar de forma consistente (possibilidade de descongelamento do conteúdo ou temperaturas demasiado altas no compartimento de congelação) quando instalados durante um período de tempo prolongado abaixo do fim do frio no intervalo de temperaturas para o qual o aparelho de refrigeração foi concebido.
- 2) O fato de bebidas gaseificadas não deverem ser armazenadas nos compartimentos ou câmaras de congelação de alimentos ou nos compartimentos ou câmaras de baixa temperatura, e de alguns produtos tais como sorvetes não deverem ser consumidos demasiado frios;
- 3) A necessidade de não exceder o tempo de armazenamento recomendado pelos fabricantes de alimentos para quaisquer tipos de alimentos e especialmente alimentos de congelação rápida disponíveis no mercado nos compartimentos ou câmaras de armazenamento de alimentos congelados;
- 4) As precauções necessárias para evitar um aumento indevido da temperatura dos alimentos congelados ao descongelar o aparelho de refrigeração, como embrulhar os alimentos congelados em várias camadas de jornal.
- 5) O fato de um aumento de temperatura dos alimentos congelados durante a descongelação manual, manutenção ou limpeza poderem reduzir a duração de conservação dos alimentos
- 6) A necessidade de que, para portas ou tampas equipadas com fechaduras e chaves, as chaves sejam mantidas fora do alcance das crianças e não nas proximidades do aparelho frigorífico, a fim de evitar que as crianças fiquem trancadas no interior.

## 1.7 Avisos para eliminação

O material espumante refrigerante e ciclopentano utilizado para o aparelho é inflamável. Portanto, quando o aparelho é descartado, o mesmo deve ser mantido longe de qualquer fonte de incêndio e ser recuperada por uma empresa recuperadora especial com qualificações correspondentes que não seja descartada por combustão, de modo a evitar danos ao meio ambiente ou qualquer outro dano



Quando o aparelho for eliminado, desmonte as portas e remova a porta inferior e prateleiras; coloque-as em lugar seguro, de modo a evitar que entrem crianças dentro do aparelho e fiquem lá fechadas.

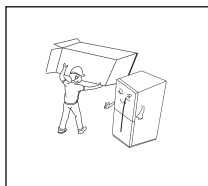


Eliminação correta do produto:

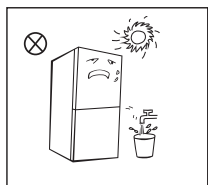
Este símbolo indica que este produto não deve ser eliminado juntamente com outros resíduos domésticos. Para evitar eventuais danos para o ambiente ou para a saúde humana a partir de resíduos não controlados, recicle-o de forma responsável para promover a reutilização sustentável de recursos materiais. Para devolver o seu aparelho usado, por favor, utilize os sistemas de recolha e devolução ou entre em contacto com o vendedor onde o produto foi adquirido. Este pode recolher este produto para reciclagem ambientalmente segura.

## 2 Uso adequado do frigorífico

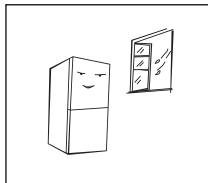
### 2.1 Instalar o aparelho



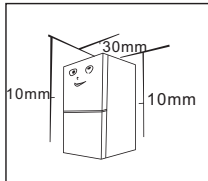
- Remova todos os materiais de embalagem antes de usar, incluindo as almofadas de base, as almofadas de espuma e as fitas dentro do frigorífico; arranque a película protetora nas portas e no corpo do frigorífico.



- Mantenha longe do calor e evite a luz direta do sol. Não coloque o frigorífico em locais húmidos ou molhados para evitar ferrugem ou redução do efeito isolante.
- Não pulverize ou lave o frigorífico; não coloque o frigorífico em locais húmidos fáceis de salpicar com água para não afectar as propriedades de isolamento eléctrico do frigorífico.



- O aparelho deverá ser instalado em local bem ventilado; o chão deve ser plano e robusto (rodar para a esquerda ou direita para nivelar o pé do aparelho).



- O espaço indicado para a parte de cima do aparelho deverá ser superior a 30 cm, e o aparelho deverá ser colocado contra a parede com uma distância livre de mais de 10 cm para facilitar a dissipação de calor.



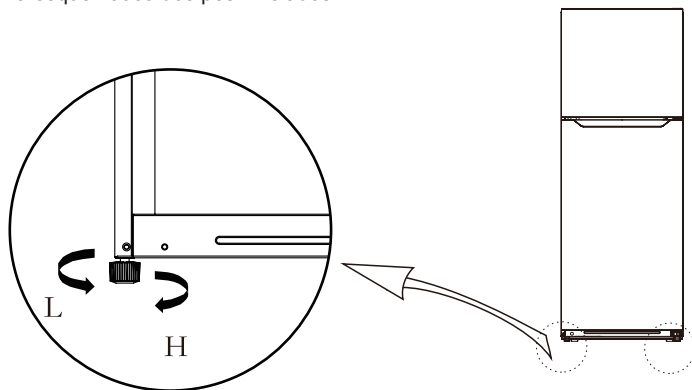
#### Precauções antes da instalação:

Antes da instalação ou ajuste dos acessórios, certifique-se de que o aparelho esteja desligado da energia.

Devem ser tomadas precauções para evitar que a queda da pega provoque danos pessoais.

## 2.2 Pés de nivelamento

Diagrama esquemático dos pés nivelados



(A imagem acima serve apenas para referência. A configuração real depende do produto físico ou da indicação do distribuidor)

Procedimentos de ajuste:

- Gire os pés no sentido horário para levantar o refrigerador;
- Gire os pés no sentido anti-horário para baixar o refrigerador;
- Ajuste os pés direito e esquerdo com base nos procedimentos acima a um nível horizontal.

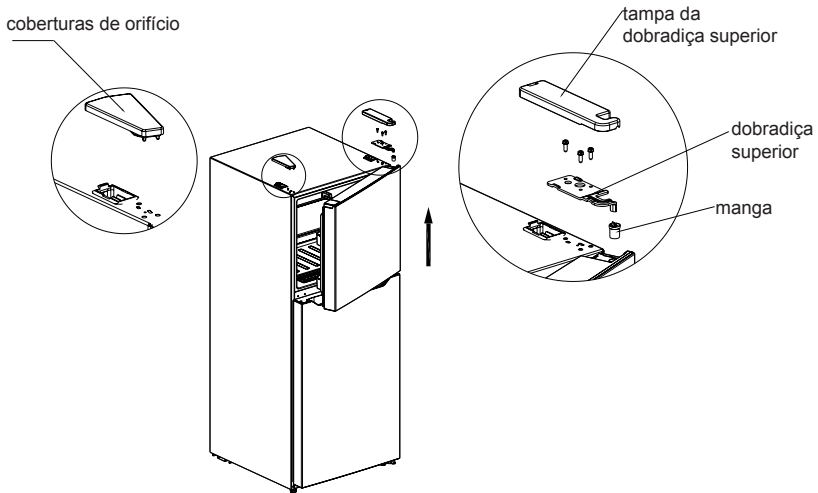
## 2.3 Mudança direita-esquerda da abertura das portas

Lista de ferramentas a serem fornecidas pelo utilizador			
	Chave de fenda phillips		Chave de fenda de lâmina fina com espátula
	5/16" soquete e catraca		Fita adesiva

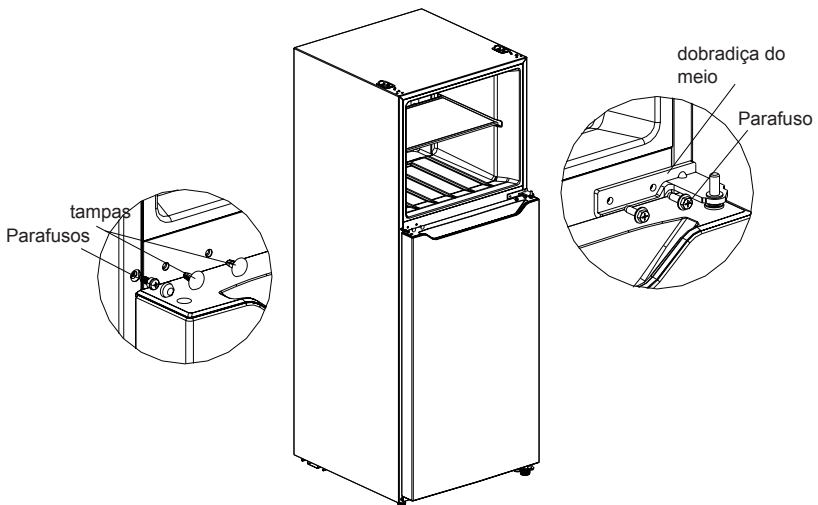
Peças a serem usadas para inverter a porta			
Número	Nome	Número	Nota
1	Dobradiça superior direita	1	Pré-instalada no refrigerador, removida quando a porta esteja invertida e guardada para o uso futuro
2	Tampa da dobradiça superior direita	1	Pré-instalada no refrigerador, removida quando a porta esteja invertida e guardada para o uso futuro
3	tampa de orifício	1	Pré-instalada no refrigerador, continuando a ser usada quando a porta esteja invertida
4	rolha	1	Pré-instalada no refrigerador, continuando a ser usada quando a porta esteja invertida
5	Dobradiça inferior da rolha	1	Pré-instalada no refrigerador, continuando a ser usada quando a porta esteja invertida
6	Pés de nivelamento	1	Pré-instalada no refrigerador, continuando a ser usada quando a porta esteja invertida
7	Capa de proteção esquerda	1	Pré-instalada no freezer, continuando a ser usada quando a porta esteja invertida
8	Dobradiça superior esquerda	1	No saco plástico anexado, retire-as para uso quando a porta está invertida
9	Tampa da dobradiça superior esquerda	1	No saco plástico anexado, retire-as para uso quando a porta está invertida
10	Capa de proteção direita	1	No saco plástico anexado, retire-as para uso quando a porta está invertida

1) Desligue este aparelho antes de executar esta operação. Remova todos os alimentos das prateleiras da porta.

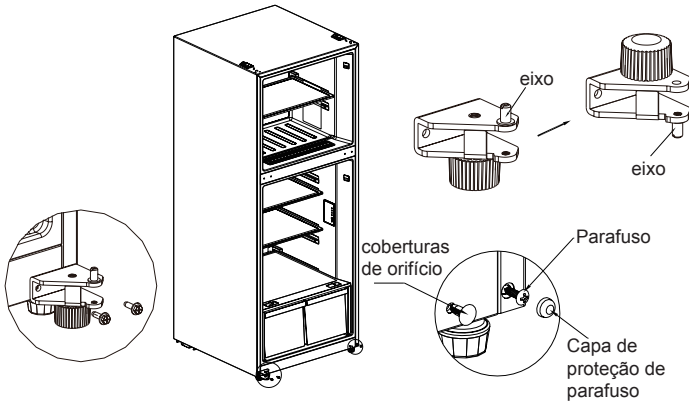
2) Remova a tampa do orifício, a tampa da dobradiça superior, os parafusos para a montagem da dobradiça superior, a dobradiça superior e o tubo de manga e, em seguida, levante a porta do freezer até que a porta esteja completamente separada do gabinete.



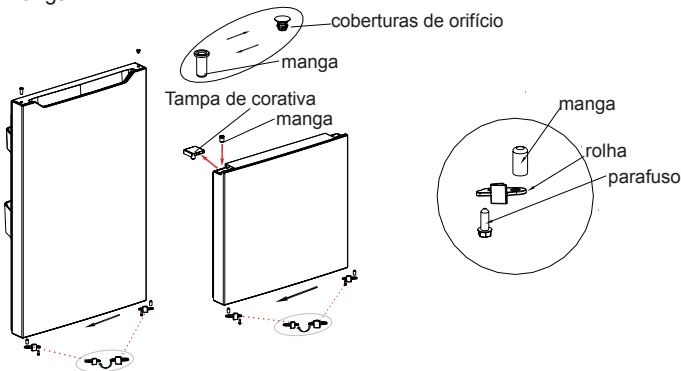
3) Remova as tampas dos furos, os parafusos de encaixe da dobradiça central e da dobradiça do meio, **e remova os parafusos e as tampas dos parafusos do outro lado** e depois levante a porta do frigorífico até que esta fique completamente separada do armário.



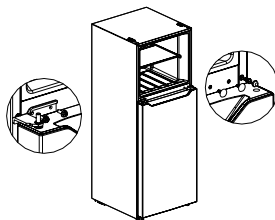
4) Remova o conjunto da dobradiça inferior do canto direito inferior e remova a tampa do orifício, a capa de proteção do parafuso do canto esquerdo inferior; Desmonte o eixo da dobradiça e o pé ajustável, e instale-os no outro lado da dobradiça inferior; e em seguida, instale o conjunto da dobradiça inferior no canto esquerdo inferior com os parafusos e instale as capas de proteção do orifício e do parafuso no canto inferior direito.



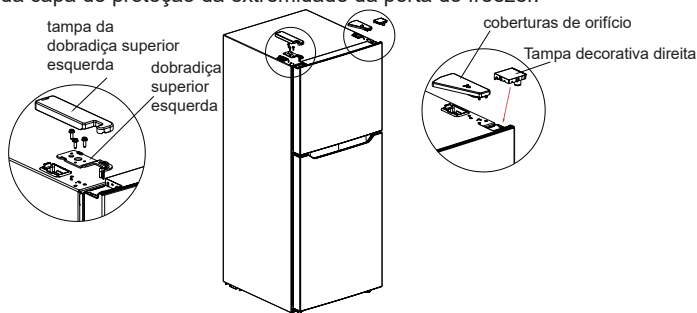
5) Desmonte as rolhas, tubos de manga de ambas as portas do frigorífico e do freezer, instale-os do outro lado de ambas as portas; troque a posição de instalação do tubo de manga e a capa de proteção do orifício na capa de proteção da extremidade superior da porta do freezer; remova a tampa decorativa esquerda da porta do freezer, e mova o tubo de manga



6) Instale a porta do compartimento do frigorífico na dobradiça inferior e depois instale a dobradiça central, **parafusos** e tampas.



7) Retire a dobradiça superior esquerda, a tampa da dobradiça superior esquerda e a tampa decorativa direita da sacode acessórios, instale a porta do freezer na dobradiça do meio e instale a dobradiça superior esquerda, a tampa da dobradiça esquerda e a capa de proteção do orifício. Finalmente, instale a tampa decorativa direita no lado direito da capa de proteção da extremidade da porta do freezer.

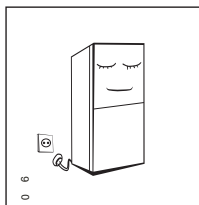


(A imagem acima é apenas para referência. A configuração real dependerá do produto físico ou declaração do distribuidor)

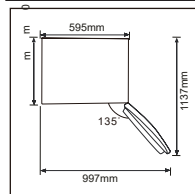
## 2.4 Como mudar a lâmpada

Qualquer substituição ou manutenção das lâmpadas LED destina-se a ser feita pelo fabricante, e o seu agente de serviço ou pessoa qualificada semelhante.

## 2.5 Iniciar



- Antes do início, mantenha o aparelho imóvel por duas horas antes de conectá-la à fonte de alimentação.
- Antes de colocar os alimentos frescos ou congelados no seu interior, o aparelho deverá funcionar por 2 ou 3 horas, ou por mais de 4 horas no verão, quando a temperatura ambiente é alta.



- Deixe espaço suficiente para a abertura conveniente das portas e gavetas ou de acordo com as indicações do distribuidor.

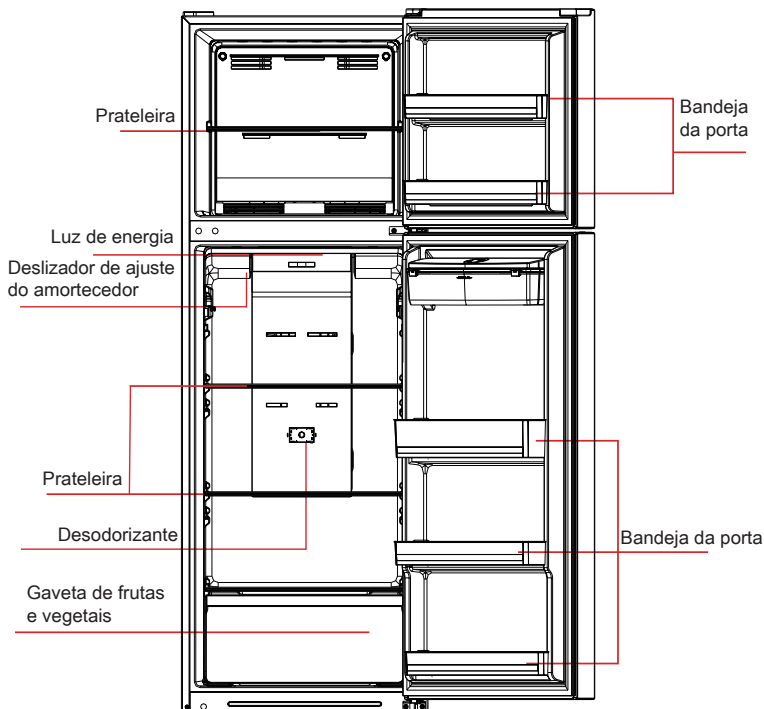
## 2.6 Dicas para poupar energia

- O aparelho deve estar localizado na área mais fria da sala, longe de aparelhos que produzam calor, condutas de aquecimento e longe da luz direta do sol.
- Deve deixar os alimentos quentes arrefecerem até à temperatura ambiente antes de os colocar no aparelho. Sobrecarregar o aparelho força o compressor a funcionar por mais tempo. Alimentos que congelam muito lentamente podem perder qualidade ou estragar.
- Verifique-se de enrolar os alimentos produzidos e limpar os recipientes secos antes de concebê-los no aparelho. Isso reduz a acumulação de gelo dentro do aparelho.
- A bandeja de armazenamento do dispositivo não deve ser forrada com papel alumínio, papel de cera ou papel toalha. Pois interferem na circulação de ar frio, tornando o aparelho menos eficiente.
- Organize e rotule os alimentos para reduzir o tempo de aberturas da porta e a procura dos alimentos. Remova todos os alimentos necessários de uma só vez e feche a porta o mais rápido possível.



## 3 Estrutura e funções

### 3.1 Componentes principais



(A imagem acima é apenas para referência. A configuração real dependerá do produto físico ou declaração do distribuidor)

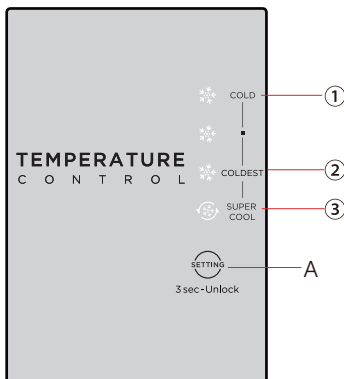
#### **Câmara de refrigeração**

- A Câmara frigorífica é adequada para armazenamento de uma variedade de frutas, legumes, bebidas e outros alimentos consumidos no curto prazo.
- Os alimentos de cozimento não devem ser colocados na câmara de refrigeração até esfriar em temperatura ambiente.
- Recomenda-se que os alimentos sejam lacrados antes de colocar na geladeira.
- As prateleiras de vidro poderão ser ajustadas para cima ou para baixo, obtendo assim mais espaço de armazenamento dos alimentos.

#### **Câmara de congelação**

- A câmara de congelação a baixa temperatura pode manter os alimentos frescos durante muito tempo e é utilizada principalmente para armazenar alimentos congelados e fazer gelo.
- O compartimento de congelação é adequado para o armazenamento de carne, peixe, bolinhos de arroz e outros alimentos que não devem ser consumidos em curto prazo.
- As peças grandes de carne devem ser armazenadas divididas em pedaços mais pequenos, para ser mais fácil o acesso. Observe que os alimentos devem ser consumidos dentro do prazo de validade.

## 3.2 Funções



(A imagem acima é apenas para referência. A configuração real dependerá do produto físico ou declaração do distribuidor)

1) Chave

A. Botão de configuração de temperatura do compartimento do frigorífico

2) Ecrã de exibição

① configuração 1: Frio

② configuração 2: •

③ configuração 3: O MAIS FRIO

④ configuração 4: SUPER COOL (MUITO FRESCO)

3) Exibição

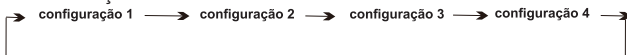
A ecrã de exibição brilha totalmente por 3 segundos ao ligar o frigorífico pela primeira vez, em seguida, o frigorífico funciona de acordo com a configuração 3. O LED correspondente pisca em caso de uma falha. Mostra a configuração de temperatura do frigorífico se não houver nenhuma falha.

Código de Falha	Descrição de falha
Configuração do indicador 1 e configuração 2	Sensor de temperatura do frigorífico
Configuração do indicador 1 e configuração 3	Sensor de degelo do freezer
Configuração do indicador 1 e configuração 4	Sensor de temperatura de ambiente

4) Configuração de temperatura

A configuração de temperatura muda uma vez cada vez que o botão A de configuração de temperatura é pressionado por uma vez. O frigorífico funcionará de acordo com o valor definido após 15s de conclusão de configuração da temperatura,

O regulamento de alteração é:



5) Bloquear / desbloquear

Quando o painel de controle de temperatura está no estado de bloqueio, é necessário pressionar longamente a tecla de configuração de temperatura por 3 segundos para desbloquear o painel, todos os LEDs pisarão por 2 segundos quando o painel estiver desbloqueado. Quando o painel de controle de temperatura está no estado de desbloqueio, ele entrará no estado de bloqueio automaticamente se não houver nenhuma operação no painel de controle dentro de 15 segundos.

6) Deslizador de ajuste do amortecedor



→ COLDER FRIDGE (FRIGORÍFICO MAIS FRIO)

A posição inicial do deslizador de ajuste do amortecedor está no lado direito. É recomendável mantê-lo imóvel. A temperatura do frigorífico aumentará se você movê-lo para a esquerda.

## 4 Manutenção e cuidados do frigorífico

### 4.1 Limpeza geral

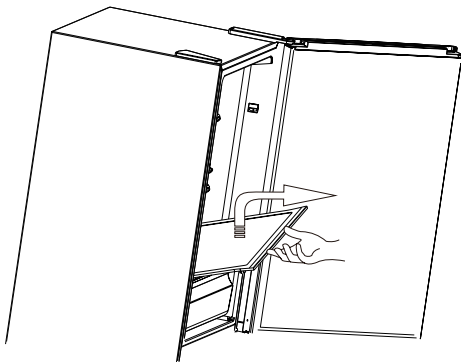
- O pó atrás do frigorífico e no chão deve ser limpo atempadamente para melhorar o efeito de arrefecimento e poupança de energia.
- Verifique regularmente a junta da porta para garantir que não haja detritos. Limpe a junta da porta com um pano macio humedecido com água e sabão ou detergente diluído.
- O interior do frigorífico deve ser limpo regularmente para evitar odores.
- Por favor desligue a corrente antes de limpar o interior, retire todos os alimentos, bebidas, prateleiras, gavetas, etc.
- Utilize um pano ou esponja macia para limpar o interior do frigorífico, com duas colheres de sopa de bicarbonato de sódio e um litro de água morna. O frigorífico deve ser limpo com água e um pano seco. Após a limpeza, abra a porta e deixe secar naturalmente antes de ligar a energia.
- Nas áreas mais difíceis de limpar (zonas estreitas, brechas ou cantos) recomenda-se uma limpeza regular com um pano suave, uma esponja, etc., e quando necessário combinar com algumas ferramentas auxiliares (como varetas finas) para garantir que não se acumulem bactérias nessas áreas.
- Não utilize o sabão, detergente, pó para esfregar, detergente em spray, etc., pois estes podem causar odores no interior do frigorífico ou alimentos contaminados.
- Limpe a armação da garrafa, prateleiras e gavetas com um pano macio humedecido com água com sabão ou detergente diluído. Seque com um pano macio ou deixe secar ao ar.
- Limpe a superfície exterior do frigorífico com um pano macio humedecido com água com sabão, detergente, etc., e depois limpe-o a seco.
- Não utilize escovas duras, bolas de aço limpas, escovas de arame, abrasivos (tais como pastas de dentes), solventes orgânicos (tais como álcool, acetona, óleo de banana, etc.), água a ferver, artigos ácidos ou alcalinos, que podem danificar a superfície e o interior do refrigerador. Água quente e solventes orgânicos como o benzeno, podem deteriorar ou danificar as zonas em plástico.
- Não enxague diretamente com água ou outros líquidos durante a limpeza, de forma a evitar curto circuito ou afetar o isolamento elétrico após imersão.



⚠ Favor desligue o frigorífico para descongelar e limpar.

### 4.2 Limpeza da prateleira da porta

- Levante a frente da prateleira de vidro (cerca de 60°), e depois puxe-a;
- Remova a prateleira de vidro e limpe conforme necessário;
- A operação inversa é para instalação de prateleira de vidro.



## 4.3 Descongelamento

- O frigorífico é feito com base no princípio de resfriamento de ar e, portanto, possui a função de descongelamento automático. A geada formada devido à mudança de estação ou temperatura também pode ser removida manualmente através de desligar o aparelho da fonte de alimentação ou limpar com uma toalha seca.

## 4.4 Fora de serviço

- Falha de energia: Em caso de falha de energia, mesmo no verão, os alimentos dentro do aparelho podem ser mantidos por várias horas; durante a falha de energia, deverá reduzir o tempo de abertura das portas, e não deverá colocar alimentos quentes no seu interior.
- Sem uso por um longo tempo: O aparelho deve ser desligado e depois limpo; em seguida, as portas deverão ser deixadas abertas para evitar odores.
- Deslocar: Antes de mover o aparelho, retire todos os itens do seu interior e fixe as prateleiras de vidro, as gavetas de fruta e vegetais, as gavetas do compartimento de congelação e etc. com fita adesiva; aperte os pés ajustáveis; feche as portas e fixe-as com fita adesiva. Durante a movimentação, o aparelho não deve ser colocado de cabeça para baixo ou horizontalmente, nem sofrer vibração; a inclinação durante o movimento não deve ser superior a 45°.



O aparelho deve funcionar continuamente uma vez ligado à corrente. Geralmente, o funcionamento do aparelho não deve ser interrompido; caso contrário, a vida útil do mesmo poderá ser prejudicada.

## 5 Resolução de problemas

Poderá tentar resolver os seguintes problemas simples por si mesmo. Se não conseguir, entre em contacto com o departamento de pós-venda.

Falha no funcionamento	Verifique se o aparelho está ligado à energia ou se a ficha está bem ligada. Verifique se a tensão está muito baixa Verifique se há falha de corrente ou nos circuitos parciais no quadro elétrico
Odores	Alimentos odoríferos deverão ser bem embrulhados Verifique se há alimentos podres Limpe o interior do aparelho
Funcionamento prolongado do compressor	O funcionamento prolongado do aparelho é normal no verão, quando a temperatura ambiente é elevada Não deverá colocar muitos alimentos no aparelho de uma só vez Os alimentos devem estar frios quando são colocados no aparelho Verifique se as portas são abertas com demasiada frequência
A luz não acendeu	Verifique se o frigorífico está ligado à fonte de alimentação e se a luz de iluminação está danificada.
As portas não fecham corretamente	A porta está presa por embalagens de alimentos O aparelho está inclinado.
Ruídos elevados	Verifique se o chão está nivelado e se o aparelho está colocado de forma estável Verifique se os acessórios estão colocados nos locais apropriados
O vedante da porta não está apertado	Retire todos os materiais estranhos da vedação da porta Aqueça a vedação da porta e em seguida, resfrie-a para restauração (ou sopre com um secador elétrico ou use uma toalha quente para aquecê-la).
A panela da água está a transbordar	Há demasiados alimentos no interior do aparelho ou os mesmos contém muita água, resultando em descongelação elevada As portas não estão fechadas corretamente, resultando em acumulação de gelo devido à entrada de ar e aumento da água devido à descongelação
Exterior quente	A dissipação de calor do condensador embutido é feita através da carcaça, o que é normal. Use uma ventilação adequada para ajudar a dissipação de calor quando o invólucro torna-se quente devido à alta temperatura ambiente, o armazenamento excessivo de alimentos ou o desligamento do compressor.
Condensação superficial	A condensação na superfície externa e nas vedações das portas do aparelho é normal quando a humidade ambiente é demasiado elevada. Basta limpar o condensador com uma toalha limpa.
Ruído anormal	Zumbido: O compressor pode fazer zumbidos durante o funcionamento, especialmente no início e fim do funcionamento. Isto é normal. Estalos: O refrigerante que flui dentro do aparelho pode produzir estalos, o que é normal.

Tabela 1 Classes climáticas

Classe	Símbolo	Faixa de temperatura ambiente °C
Temperado estendido	SN	+ 10 - + 32
Temperado	N	+ 16 - + 32
Subtropical	ST	+ 16 - + 38
Tropical	T	+ 16 - + 43

Temperado estendido: 'Este aparelho de refrigeração deve ser usado na temperatura ambiental que varia de 10 °C a 32 °C ';

Temperado: 'Este aparelho de refrigeração deve ser usado na temperatura ambiental que varia de 16 °C a 32 °C ';

Subtropical: 'Este aparelho de refrigeração deve ser usado na temperatura ambiental que varia de 16 °C a 38 °C ';

Tropical: 'Este aparelho de refrigeração deve ser usado na temperatura ambiental que varia de 16 °C a 43 °C ';

As peças encomendadas na tabela seguinte podem ser adquiridas do canal XX:

Peça encomendada	Fornecido por	Tempo Mínimo Requerido para a Provisão
termóstatos	Pessoal de manutenção profissional	Pelo menos 7 anos após o último modelo ser lançado no mercado
sensores de temperatura	Pessoal de manutenção profissional	Pelo menos 7 anos após o último modelo ser lançado no mercado
placas de circuito impresso	Pessoal de manutenção profissional	Pelo menos 7 anos após o último modelo ser lançado no mercado
fontes luminosas	Pessoal de manutenção profissional	Pelo menos 7 anos após o último modelo ser lançado no mercado
maçanetas da porta	Reparadores profissionais e utilizadores finais	Pelo menos 7 anos após o último modelo ser lançado no mercado
dobradiças da porta	Reparadores profissionais e utilizadores finais	Pelo menos 7 anos após o último modelo ser lançado no mercado
Bandejas	Reparadores profissionais e utilizadores finais	Pelo menos 7 anos após o último modelo ser lançado no mercado
Cestas	Reparadores profissionais e utilizadores finais	Pelo menos 7 anos após o último modelo ser lançado no mercado
anel de vedação da porta	Reparadores profissionais e utilizadores finais	Pelo menos 10 anos após o último modelo ser lançado no mercado

Caro Cliente,

1. Entre em contato com a loja onde você faz a compra se deseja devolver ou substituir o produto.

(Lembre-se de trazer a nota fiscal de compra)

2. Entre em contato com o fornecedor de serviço pós-venda se o seu produto quebrar e precisar de reparo.

Telefone:

Endereço de e-mail:



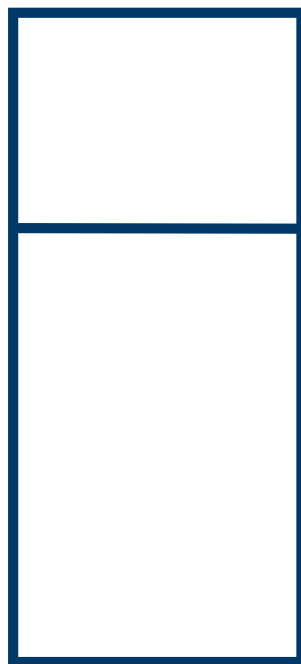
## MANUAL DE USUARIO

### FRIGORIFICO

#### Congelador superior



**Advertencia:**  
Antes de usar este producto, por favor lea este manual con atención y guárdelo para futuras consultas. El diseño y especificaciones están sujetos a cambios sin aviso previo para el producto mejora. Consulte con su distribuidor o fabricante para detalles.



**MODEL:MDRT489MTE**  
**SERIES**

[www.midea.com](http://www.midea.com)



## CONTENIDOS

1 Advertencias de seguridad	
1.1 Advertencia.....	1-2
1.2 Significado de los símbolos de advertencia de seguridad .....	3
1.3 Advertencias relacionadas con electricidad.....	3
1.4 Advertencias para uso .....	4
1.5 Advertencias para colocación.....	4-5
1.6 Advertencias para energía.....	5
1.7 Advertencias para disposición .....	5
2 Uso adecuado de refrigerador	
2.1 Colocación.....	6
2.2 Patas de nivelación .....	7
2.3 Cambio de puertas derecha-izquierda .....	7-10
2.4 Cambio de luz.....	10
2.5 Encendido.....	10
2.6 Consejos para ahorrar energía.....	10
3 Estructura y funciones	
3.1 Componentes clave.....	11
3.2 Funciones.....	12
4 Mantenimiento y cuidado del refrigerador	
4.1 Limpieza general .....	13
4.2 Limpieza de bandeja de puerta .....	13
4.3 Descongelación .....	14
4.4 Fuera de operación .....	14
5 Resolución de problemas.....	15
6 Parámetros.....	16

## 1. ADVERTENCIA DE SEGURIDAD



**Advertencia:** riesgo de incendio / materiales inflamables

**Advertencia:** riesgo de incendio / materiales inflamables

ESTE aparato está diseñado para usarse en aplicaciones domésticas y similares, como áreas de cocina del personal en tiendas, oficinas y otros entornos de trabajo; casas de campo y clientes en hoteles, moteles y otros entornos residenciales; ambientes tipo cama y desayuno; servicio de comidas y aplicaciones similares no minoristas.

**ESTE** aparato no está diseñado a ser utilizado por personas (incluidos niños) con capacidades físicas, sensoriales o mentales reducidas, o falta de experiencia y conocimiento, a menos que hayan recibido supervisión o instrucciones sobre el uso por parte de una persona responsable de su seguridad.

**Se** debe supervisar a los niños para asegurarse de que no jueguen con el aparato.

Si el cable de alimentación está dañado, debe ser reemplazado por el fabricante, su agente de servicio o persona calificada similar, a fin de evitar peligro.

NO almacene sustancias explosivas como latas de aerosol con un propulsor inflamable en este aparato.

**EL** aparato debe desenchufarse después de su uso y antes de realizar el mantenimiento del usuario en el mismo.

**ADVERTENCIA:** Mantenga abierta la ventilación, en el gabinete del aparato o en la estructura incorporada, sin obstrucciones.

**ADVERTENCIA:** No utilice dispositivos mecánicos u otros medios para acelerar el proceso de descongelación, que no sean los recomendados por el fabricante.

**ADVERTENCIA:** No dañe el circuito refrigerante.

**ADVERTENCIA:** No utilice aparatos eléctricos dentro de los compartimentos de almacenamiento de alimentos del aparato, a menos que sean del tipo recomendado por el fabricante.

**ADVERTENCIA:** Abandone el refrigerador de acuerdo con las regulaciones locales, ya que utiliza gas de soplado y refrigerante inflamable.

**ADVERTENCIA:** Asegúrese de que el cable de alimentación no esté atrapado o dañado al colocar el aparato.

**ADVERTENCIA:** No ubique múltiples tomacorrientes portátiles o fuentes de alimentación portátiles en la parte posterior del aparato.

NO utilice cables de extensión ni adaptadores sin conexión a tierra (dos clavijas).

**PELIGRO:** Riesgo de atrapamiento de niños. Antes de tirar su viejo refrigerador o congelador:

- Quite las puertas.

- Deje los estantes en su lugar para que los niños no puedan subirse fácilmente.

**EL** refrigerador debe estar desconectado de la fuente de alimentación antes de intentar la instalación de accesorios.

El refrigerante y material espumante de ciclopentano utilizados para la aplicación son inflamables. Por lo tanto, cuando se desecha el aparato, se debe mantener alejado de cualquier fuente de fuego y ser recuperado por una compañía de recuperación especial con la calificación correspondiente en lugar de desecharse por combustión, con el fin de evitar daños al medio ambiente o cualquier otro daño.

**Para** norma EN: Este aparato puede ser utilizado por niños de más de 8 años y personas con capacidades físicas, sensoriales o mentales reducidas o falta de experiencia y conocimiento si se les ha dado supervisión o instrucciones sobre su uso seguro y entiende los peligros involucrados. A los niños no se les permite jugar con el aparato. La limpieza y el mantenimiento del usuario no deben ser llevados a cabo por niños sin supervisión. Los niños de 3 a 8 años pueden meter objetos en y sacarlos de los aparatos de refrigeración.

**Es** necesario, para puertas o tapas con cerraduras y llaves, mantenerse las llaves fuera del alcance de los niños y ajenas del aparato de refrigeración, con el fin de evitar que los niños queden encerrados en el interior.

**PARA** evitar la contaminación de los alimentos, respete las siguientes instrucciones:




- Abrir la puerta durante largo tiempo puede provocar un aumento significativo de la temperatura en los compartimentos del aparato.
- Limpie regularmente las superficies que puedan entrar en contacto con los alimentos y los sistemas de drenaje accesibles.
- Limpie los tanques de agua si no se han utilizado durante 48 h; enjuague el sistema de agua conectado a suministro de agua si no se ha extraído agua durante 5 días. (nota 1)
- Almacene la carne cruda y pescado en recipientes adecuados en el refrigerador para que no estén en contacto con otros alimentos ni goteen sobre ellos.
- Son aplicables los compartimentos de alimentos congelados de dos estrellas para almacenar la comida precongelada, almacenar o hacer helados, y hacer cúbicos de hielo. (nota 2)
- No son aplicables para congelar los alimentos frescos los compartimentos de una-, dos - y tres estrellas. (nota 3)
- Si el aparato de refrigeración se deja vacío durante largos períodos, apague, descongele, limpie, seque y deje la puerta abierta para evitar que se forme moho dentro del aparato.
- Para aparatos sin compartimento de 4 estrellas: este aparato de refrigeración no es apto para congelar alimentos. (nota 4)

Notas 1, 2, 3,4: Por favor confirme si es aplicable según el tipo de compartimento de su producto.

**PARA** un aparato independiente: este aparato de refrigeración no es diseñado para utilizarse como aparato empotrado.

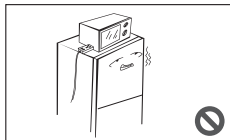
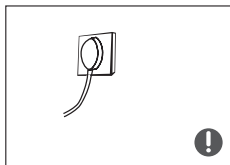
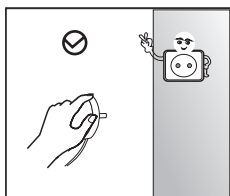
**CUALQUIER** reemplazo o mantenimiento de las lámparas LED debe ser llevado a cabo por el fabricante, su agente de servicio o persona calificada similar.

## 1.2 Significado de los símbolos de advertencia de seguridad

	Se trata de un símbolo de prohibición. Cualquier incumplimiento de las instrucciones marcadas con este símbolo puede dañar el producto o poner en peligro la seguridad personal del usuario.
Símbolo de prohibición	
	Se trata de un símbolo de advertencia. Se requiere operar en estricta observancia de las instrucciones marcadas con este símbolo; de lo contrario se puede causar daños al producto o lesiones personales.
Símbolo de advertencia	
	Se trata de un símbolo de precaución. Se requiere atención en especial para las instrucciones marcadas por este símbolo. La insuficiencia de atención podría causar lesiones ligeras o moderadas, o daños del producto.
Símbolo de nota	

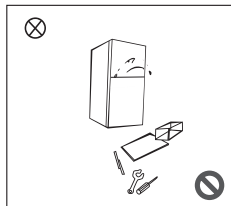
El presente manual contiene mucha información importante de seguridad que los usuarios deben observar.

## 1.3 Advertencias relacionadas con electricidad

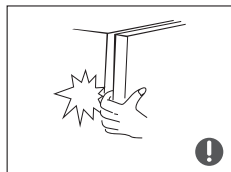


- No tire del cable de alimentación cuando desconecte el enchufe de alimentación del refrigerador. Sujete firmemente el enchufe y extráigalo directamente del tomacorriente.
- No dañe el cable de alimentación ni lo use cuando esté dañado o desgastado, con el fin de garantizar la seguridad en uso.
- Utilice el tomacorriente dedicado en lugar de compartirlo con otros aparatos eléctricos. El enchufe debe estar en contacto con el tomacorriente, de lo contrario, podría producir fuegos.
- Asegúrese de que el electrodo de tierra del tomacorriente esté equipado con una línea de tierra confiable.
- Cierre la válvula de escape de gas y luego abra las puertas y ventanas en caso de fuga de gas y otros gases inflamables. No desenchufe el refrigerador y otros aparatos eléctricos, ya que la chispa puede provocar un incendio.
- No se permite utilizar los aparatos eléctricos sobre la parte superior del aparato, excepto los del tipo recomendado por el fabricante.

## 1.4 Advertencias para uso



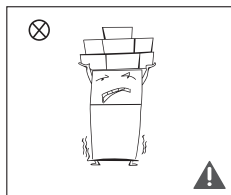
- No desmonte ni reconstruya arbitrariamente el refrigerador, ni dañe el circuito refrigerante; el mantenimiento del aparato debe ser realizado por un especialista
- El cable de alimentación dañado debe ser reemplazado por el fabricante, su departamento de mantenimiento o profesionales relacionados para evitar peligros.



- Debido a que los espacios entre las puertas del refrigerador y entre las puertas y el cuerpo del refrigerador son pequeños, tenga en cuenta que no debe poner la mano en estas áreas para evitar apretar el dedo. Por favor, tenga cuidado al cerrar la puerta del refrigerador para evitar la caída de objetos.
- No recoja alimentos o recipientes con las manos mojadas en la cámara de congelación cuando el refrigerador esté funcionando, especialmente recipientes de metal, para evitar la congelación.

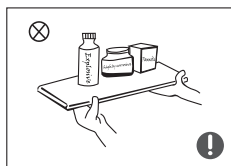


- No permita que ningún niño entre o suba al refrigerador; de lo contrario, se puede causar asfixia o caída del niño.

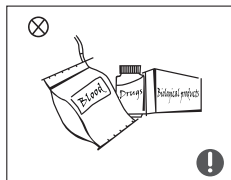


- No coloque objetos pesados sobre la parte superior del refrigerador, ya que los objetos pueden caerse al cerrar o abrir la puerta, e incluso se puede producir lesiones accidentales.
- Retire el enchufe en caso de fallo de alimentación o limpieza. No conecte el refrigerador a la fuente de alimentación dentro de los cinco minutos para evitar daños al compresor debido a arranques sucesivos.

## 1.5 Advertencias para colocación



- No coloque artículos inflamables, explosivos, volátiles y altamente corrosivos en el refrigerador para evitar daños al producto o accidentes de incendio.
- No coloque artículos inflamables cerca del refrigerador para evitar incendios.



- El refrigerador está destinado para uso doméstico, como almacenamiento de alimentos; no se lo utilizará para otros fines, como el almacenamiento de sangre, medicamentos o productos biológicos, etc.



- No almacena cerveza, bebidas u otro líquido contenido en botellas o recipientes cerrados en la cámara de congelación del refrigerador; de lo contrario, las botellas o los recipientes cerrados pueden romperse debido al congelamiento, causando daños.

## 1.6 Advertencias para energía

Advertencia para la energía

- 1) Es posible que los aparatos de refrigeración no funcionen de manera constante (posibilidad de descongelar el contenido o que la temperatura se caliente demasiado en el compartimento de alimentos congelados) cuando se coloca durante un período prolongado por debajo del extremo frío del rango de temperaturas para el que está diseñado el aparato de refrigeración.
- 2) Es el hecho de que las bebidas efervescentes no deben almacenarse en compartimentos o gabinetes de congeladores de alimentos o en compartimentos o gabinetes de baja temperatura, y que algunos productos como los hielos de agua no deben consumirse demasiado fríos;
- 3) Es necesario no exceder el (los) tiempo(s) de almacenamiento recomendado(s) por fabricante de alimentos para cualquier tipo de alimentos y particularmente para alimentos congelados comercialmente en congeladores y compartimentos o gabinetes de almacenamiento de alimentos congelados;
- 4) Se debe prestar necesaria atención a evitar un aumento indebido de la temperatura de los alimentos congelados mientras se descongela el aparato de refrigeración, como envolver los alimentos congelados en varias capas de periódico.
- 5) Es el hecho de que un aumento de la temperatura de los alimentos congelados durante la descongelación manual, el mantenimiento o la limpieza podría acortar la vida útil del almacenamiento.
- 6) Es necesario, para puertas o tapas con cerraduras y llaves, mantenerse las llaves fuera del alcance de los niños y ajenas del aparato de refrigeración, con el fin de evitar que los niños queden encerrados dentro.

## 1.7 Advertencias para disposición

El refrigerante y los materiales espumosos de ciclopentano utilizados para el refrigerador son inflamables. Por lo tanto, cuando se desecha el refrigerador, se debe mantener alejado de cualquier fuente de fuego y ser recuperado por una compañía de recuperación especial con la calificación correspondiente en lugar de desecharse por combustión, con el fin de evitar daños al medio ambiente o cualquier otro daño.



Cuando se desecha el refrigerador, desmonte las puertas y retire la junta de la puerta y los estantes; coloque las puertas y los estantes en un lugar adecuado, para evitar la captura de cualquier niño.

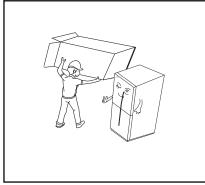


Disposición correcta de este producto:

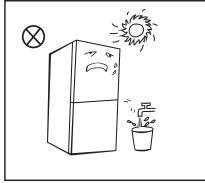
Esta marca indica que este producto no debe desecharse con otros desechos domésticos. Con el fin de evitar posibles daños al medio ambiente o la salud humana por la disposición incontrolada de residuos, recíclelo de manera responsable para promover la reutilización sostenible de los recursos materiales. Para devolver su dispositivo usado, utilice los sistemas de recuperación y colección o comuníquese con el minorista donde compró el producto. Pueden tomar este producto para reciclaje ambientalmente seguro.

## 2 Uso adecuado de refrigerador

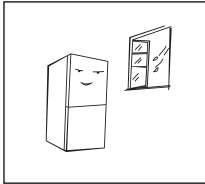
### 2.1 Colocación



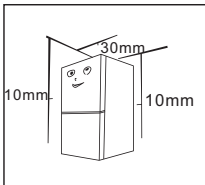
- Antes del uso, quite todos los materiales de embalaje, incluyendo cojines del fondo, almohadillas de espuma y cintas dentro del refrigerador; retire la película protectora en las puertas y el cuerpo del refrigerador.



- Mantenga alejado del calor y evite la luz solar directa. No coloque el congelador en lugares húmedos o acuosos para evitar la oxidación o la reducción del efecto aislante.
- No rocíe ni lave el refrigerador; no lo coloque en lugares húmedos fáciles de salpicar con agua, con el fin de no afectar las propiedades de aislamiento eléctrico del refrigerador.



- El refrigerador se coloca en un lugar interior bien ventilado; el suelo debe ser plano y resistente (gire hacia la izquierda o hacia la derecha para ajustar la rueda hasta que se nivele si es inestable).



- El espacio superior del refrigerador debe ser mayor de 30cm, y el refrigerador debe colocarse contra pared con una distancia libre de más de 10cm para facilitar la disipación de calor.



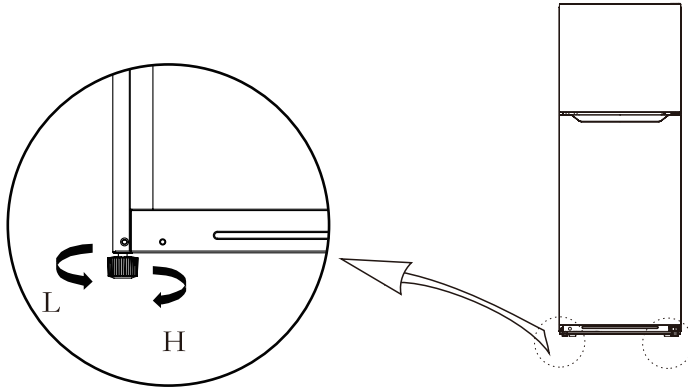
Precauciones antes de instalación:

Antes de instalar o ajustar los accesorios, debe asegurarse de que el refrigerador esté desconectado de la fuente de alimentación.

Se debe tomar medidas preventivas para evitar que se provoque lesiones personales por la caída de manija.

## 2.2 Patas de nivelación

Diagrama esquemático de patas de nivelación



(La figura anterior sirve solo para referencia. La configuración real dependerá del producto físico o la declaración del distribuidor)

Procedimientos de ajuste:

- Gire las patas en sentido horario para levantar el refrigerador;
- Gire las patas en sentido antihorario para bajar el refrigerador;
- Ajuste las patas derecha e izquierda según los procedimientos anteriores a un nivel horizontal.

## 2.3 Cambio de puertas derecha-izquierda

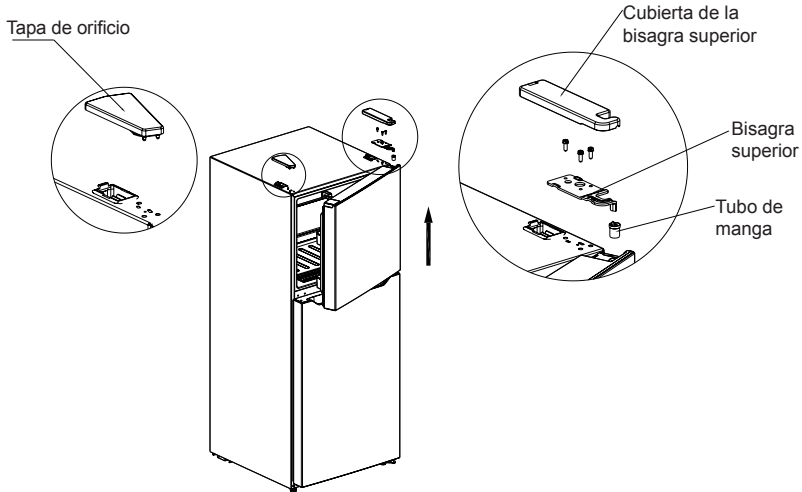
Lista de herramientas suministradas por el usuario.			
	Destornillador de cruz		Espátula y destornillador de hoja delgada
	Tomacorriente y trinquete de 5/16"		Cinta adhesiva

Piezas a utilizar para la puerta reversa			
Número	Nombre	Número	Nota
1	Bisagra superior derecha	1	Preinstalada en el refrigerador, retirada cuando la puerta se invierte, y mantenida para uso futuro
2	Cubierta de la bisagra superior derecha	1	Preinstalada en el refrigerador, retirada cuando la puerta se invierte, y mantenida para uso futuro
3	Tapa de agujero	1	Preinstalada en el refrigerador, todavía se la utiliza cuando la puerta está invertida
4	Tapón	1	Preinstalada en el refrigerador, todavía se la utiliza cuando la puerta está invertida
5	Tapón de bisagra inferior	1	Preinstalada en el refrigerador, todavía se la utiliza cuando la puerta está invertida
6	Patas de nivelación	1	Preinstalada en el refrigerador, todavía se la utiliza cuando la puerta está invertida
7	Tapa de cubierta izquierda	1	Preinstalada en el congelador, todavía se la utiliza cuando la puerta está invertida
8	Bisagra superior izquierda	1	En la bolsa de plástico adjunta, sáquelas para su uso cuando la puerta esté invertida
9	Cubierta de la bisagra superior izquierda	1	En la bolsa de plástico adjunta, sáquelas para su uso cuando la puerta esté invertida
10	Tapa de cubierta derecha	1	En la bolsa de plástico adjunta, sáquelas para su uso cuando la puerta esté invertida

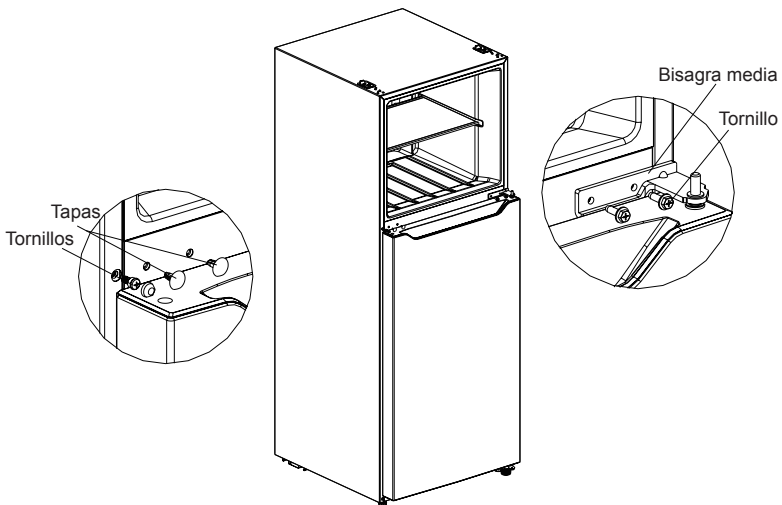


1) Apague aparato antes de realizar esta operación. Retire todos los alimentados de los estantes de puerta.

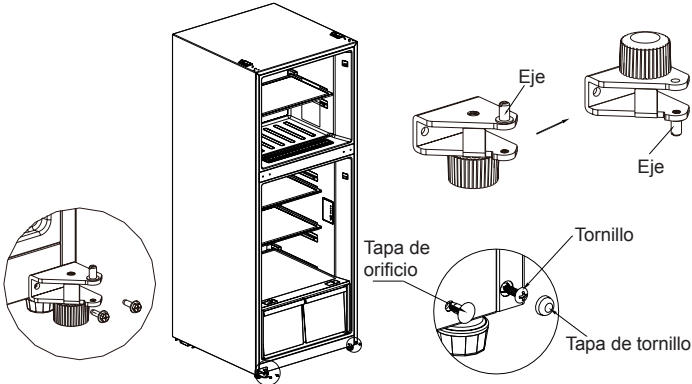
2) Remueva la tapa del orificio, la cubierta de bisagra izquierda, los tornillos de fijación de la bisagra superior y el tubo de manga, luego levante la puerta de congelador hasta que se separe completamente de la cabina.



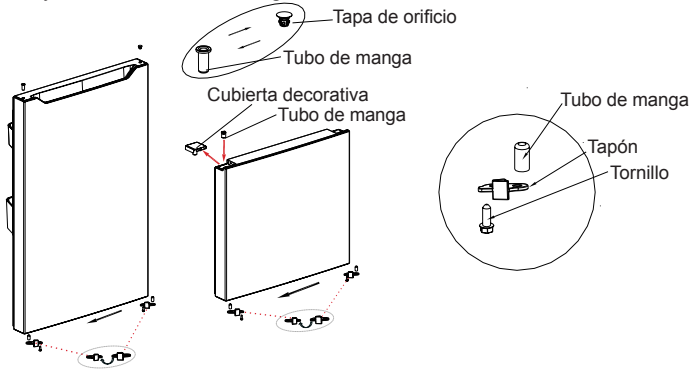
3) Remueva las tapas de los orificio, los tornillos de fijación de la bisagra central y la bisagra central, **y remueva los tornillos y las tapas de los tornillos del otro lado**, y luego, levante la puerta del refrigerador hasta que se separe completamente de la cabina.



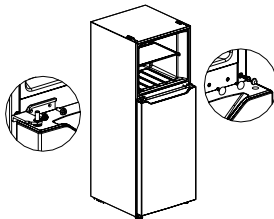
4) Remueva el conjunto de bisagra inferior de la esquina inferior derecha y remueva la tapa del orificio, la tapa del tornillo de la esquina inferior izquierda; Desmonte el eje de la bisagra y el pie ajustable, y luego instálelos en otro lado de la bisagra inferior; además, instale el conjunto de bisagra inferior en la esquina inferior izquierda a través de los tornillos de fijación, e instale la tapa del orificio y la tapa del tornillo en la esquina inferior derecha.



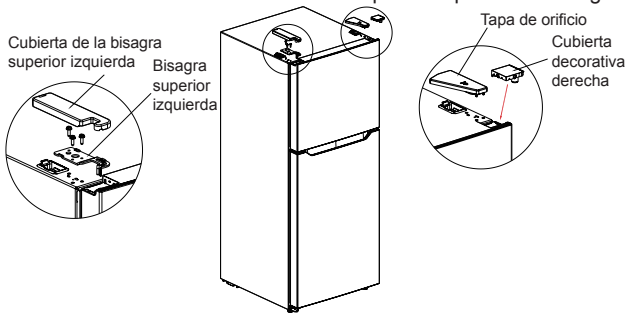
5) Desmonte los tapones, el tubo de manga de la puerta del refrigerador y la puerta del congelador, instálelos en el otro lado de ambas puertas; intercambie la posición de instalación de tubo de manguito y tapa del orificio en la tapa superior del extremo de la puerta del refrigerador; retire la cubierta decorativa izquierda de la puerta del congelador y mueva el tubo de manga.



6) Instale la puerta del compartimento del refrigerador en la bisagra inferior, y luego, instale la bisagra central, los **tornillos** y las tapas.



7) Retire la bisagra superior izquierda, la cubierta superior izquierda de la bisagra y la cubierta decorativa derecha de la bolsa de accesorios, instale la puerta del congelador en la bisagra central e instale la bisagra superior izquierda, y luego, instale la cubierta de la bisagra izquierda y la tapa del orificio. Al final, instale la cubierta decorativa derecha en el lado derecho del extremo de la tapa de la puerta del congelador.

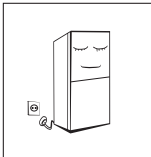


(La figura anterior sirve solo para referencia. La configuración real dependerá del producto físico o la declaración del distribuidor)

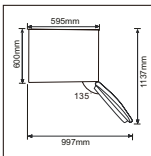
## 2.4 Cambio de luz

Cualquier reemplazo o mantenimiento de las lámparas LED debe ser realizado por el fabricante, su agente de servicio o persona calificada similar.

## 2.5 Encendido



- Antes de la primera vez de encendido, mantenga el refrigerador sin cambiar nada por dos horas antes de conectarlo con la fuente de alimentación.
- Antes de meter alimentos frescos o congelados en el refrigerador, el último debe haber funcionado durante 2-3 horas, o durante más de 4 horas en verano cuando la temperatura ambiente es alta.



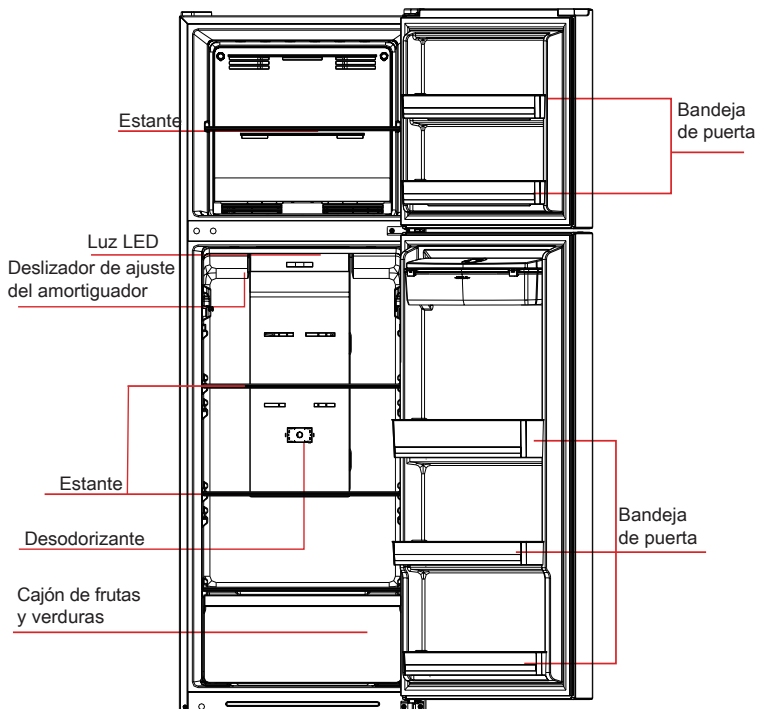
- Reserve suficiente espacio para la apertura conveniente de las puertas y cajones o declaración del distribuidor.

## 2.6 Consejos para ahorrar energía

- El aparato debe ubicarse en el área más fresca de la habitación, lejos de aparatos que produzcan calor o conductos de calefacción, y fuera de la luz solar directa.
- Deje que los alimentos calientes se enfríen a temperatura ambiente antes de colocarlos en el aparato. La sobrecarga del aparato obliga al compresor a funcionar por más tiempo. Los alimentos que se congelan muy lentamente pueden perder calidad o podrirse.
- Asegúrese de envolver los alimentos adecuadamente y secar los recipientes antes de colocarlos en el aparato, reduciendo así la acumulación de escarcha en el aparato.
- El compartimiento de almacenamiento del aparato no debe estar forrado con papel de aluminio, papel encerado o toallas de papel. Los revestimientos interfieren con la circulación de aire frío, lo que hace que el aparato sea menos eficiente.
- Organice y etiquete los alimentos para reducir las aberturas de las puertas y las búsquedas prolongadas. Quite por lo máximo los ítems requeridos por una vez, y cierre la puerta lo más pronto posible.

## 3 Estructura y funciones

### 3.1 Componentes clave



(La figura anterior sirve solo para referencia. La configuración real dependerá del producto físico o la declaración del distribuidor)

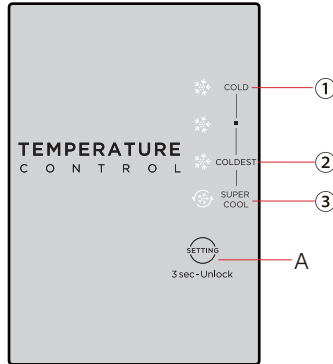
#### Cámara frigorífica

- La cámara frigorífica es adecuada para almacenar una variedad de frutas, verduras, bebidas y otros alimentos que se consumen a corto plazo.
- Los alimentos para cocinar no deben colocarse en la cámara frigorífica hasta que se enfríen a temperatura ambiente.
- Se recomienda sellar los alimentos antes de ponerlos en el refrigerador.
- Los estantes de vidrio se pueden ajustar hacia arriba o hacia abajo para una cantidad razonable de espacio de almacenamiento y fácil uso.

#### Cámara de congelación

- La cámara de congelación a baja temperatura puede mantener los alimentos frescos durante mucho tiempo y se utiliza principalmente para almacenar alimentos congelados y hacer hielo.
- La cámara de congelación es adecuada para el almacenamiento de carne, pescado, bolas de arroz y otros alimentos que no se consuman a corto plazo.
- Los trozos de carne se deben dividir preferiblemente en trozos pequeños para facilitar el acceso. Tenga en cuenta que los alimentos se consumirán dentro del tiempo de almacenamiento.

## 3.2 Funciones



(La figura anterior sirve solo para referencia. La configuración real dependerá del producto físico o la declaración del distribuidor)

### 1) Botones

A. Botón de configuración de temperatura del compartimento de refrigerador

### 2) Pantalla de visualización

① Configuración 1: COLD (FRÍO)

② Configuración 2: ■

③ Configuración 3: COLDEST (MÁS FRÍO)

④ Configuración 4: SUPER COOL (SUPERENFRIAMIENTO)

### 3) Visualización

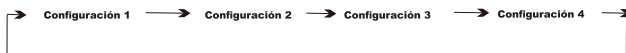
Cuando energiza el refrigerador por primera vez, la pantalla se enciende con brilla completamente durante 3 segundos, y luego el refrigerador funciona según configuración 3. En caso de falla, se parpadea el LED correspondiente. En caso de sin falla, se demuestra la configuración de temperatura del refrigerador.

Código de Fallo	Descripción de Fallo
Indicador de configuración 1 y 2	Sensor de temperatura del refrigerador
Indicador de configuración 1 y 3	Sensor de descongelación del congelador
Indicador de configuración 1 y 4	Sensor de temperatura ambiental

### 4) Configuración de temperatura

Cada vez de pulsar el botón A de configuración de temperatura, se la cambia por una vez.. Después de completar la configuración de temperatura, funcionará el refrigerador según el valor configurado después de 15s.

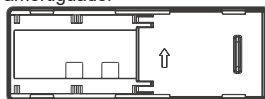
La regulación de turno es:



### 5) Bloquear/Desbloquear

Cuando el panel de control de temperatura está en estado bloqueado, se requiere un pulso largo el botón de configuración de temperatura por 3 segundos para desbloquear el panel, se parpadearán todos los LEDs por 2 segundos al desbloquear el panel. Cuando el panel de control de temperatura está en estado desbloqueado, y no ocurre más operación en el panel en 15 segundos, entrará el panel en el estado bloqueado automáticamente.

### 6) Deslizador de ajuste del amortiguador



→ REFRIGERADOR MÁS FRÍA


La posición inicial del deslizador de ajuste del amortiguador está en el extremo derecho lejano. Se recomienda mantenerlo para siempre. Si lo cambia al lado izquierda, subirá la temperatura de refrigerador

## 4. Mantenimiento y cuidado del aparato

### 4.1 Limpieza general

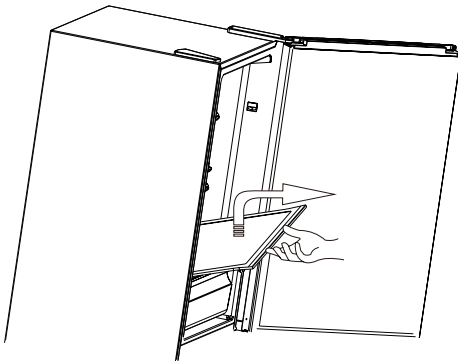
- Los polvos detrás del refrigerador y en el suelo deben limpiarse a tiempo para mejorar el efecto de enfriamiento y el ahorro de energía.
- Revise la junta de puerta regularmente para asegurarse de que no haya residuos. Limpie la junta de puerta con un paño suave humedecido con agua jabonosa o detergente diluido.
- El interior del refrigerador debe limpiarse regularmente para evitar el olor.
- Apague la fuente de alimentación, retire todos los alimentos, bebidas, estantes, cajones, etc. antes de limpiar el interior.
- Use un paño suave o una esponja para limpiar el interior del refrigerador, con dos cucharadas de bicarbonato de sodio y un litro de agua tibia. Luego enjuague con agua y limpie. Después de la limpieza, abra la puerta y deje que se seque naturalmente antes de encender la fuente de alimentación.
- Para áreas que son difíciles de limpiar en el refrigerador (como espacios estrechos, huecos o esquinas), se recomienda limpiarlas regularmente con un trapo suave, un cepillo suave, etc. y, cuando sea necesario, utilice con algunas herramientas auxiliares (como palos delgados) para garantizar que no se acumulen contaminantes ni bacterias en dichas áreas.
- No use jabón, detergente, detergente en polvo, limpiador en aerosol, etc., ya que pueden causar olores en el interior del refrigerador o alimentos contaminados.
- Limpie el marco de la botella, los estantes y los cajones con un paño suave humedecido con agua jabonosa o detergente diluido. Séquelo con un paño suave o de forma natural.
- Limpie la superficie exterior del refrigerador con un paño suave humedecido con agua jabonosa, detergente, etc., y luego la seque.
- No se permite utilizar cepillos duros, bolas de acero de limpieza, cepillos de alambre, abrasivos (como pastas dentales), solventes orgánicos (como alcohol, acetona, aceite de plátano y etc.), agua hirviendo, elementos ácidos o alcalinos, ya que es posible dañar la superficie del refrigerador y su interior. El agua hirviendo y los disolventes orgánicos como el benceno pueden deformar o dañar las piezas de plástico.
- No enjuague directamente con agua u otros líquidos durante la limpieza para evitar cortocircuitos o afectar el aislamiento eléctrico después de la inmersión.



 Desenchufe el refrigerador para descongelar y limpiar.

### 4.2 Limpieza de bandeja de puerta

- Levante la parte delantera del estante de vidrio, y luego tire hacia afuera;
- Retire el estante de vidrio y límpielo según sea necesario;
- La operación inversa es para la instalación del estante de vidrio.



### 4.3 Descongelación

- El refrigerador está hecho según el principio de enfriamiento por aire y, por lo tanto, tiene una función de descongelación automática. Las escarchas formadas debido al cambio de estación o temperatura también se pueden eliminar manualmente desconectando el aparato de la fuente de alimentación o limpiándolo con una toalla seca.

### 4.4 Fuera de operación

- Fallo de fuente de alimentación: En caso de fallo de la fuente de alimentación, incluso en verano, los alimentos dentro del aparato se pueden guardar durante varias horas; durante el corte de alimentación, se reducirán los tiempos de apertura de la puerta y no se colocarán más alimentos frescos en el mismo.
- Sin usar por largo tiempo: El aparato debe desenchufarse y luego limpiarse; entonces las puertas se dejan abiertas para evitar el olor.
- Movimiento: Antes de mover el refrigerador, retire todos los objetos interiores, fije las particiones de vidrio, el porta-verduras, los cajones de la cámara de congelación, etc. con cinta adhesiva, y apriete las patas de nivelación; cierre las puertas y fijelas con cinta adhesiva. Durante el movimiento, el aparato no debe colocarse boca abajo u horizontalmente, ni vibrarse; la inclinación durante el movimiento no será superior a 45°.



El aparato debe funcionar continuamente una vez encendido. En general, el funcionamiento del aparato no debe interrumpirse; de lo contrario, la vida útil se verá afectada.

## 5 Resolución de problemas

Puede intentar resolver los siguientes problemas simples por sí mismo. En caso de no poder resolverlos, por favor ponga en contacto con el Departamento de Postventa.

Operación fallida	<p>Compruebe si el aparato está conectado a la fuente de alimentación o si el enchufe está en contacto correcto.</p> <p>Compruebe si el voltaje es demasiado bajo.</p> <p>Compruebe si hay fallo en la fuente de alimentación o si se han disparado los circuitos parciales.</p>
Olor	<p>Los alimentos con olor deben estar bien envueltos.</p> <p>Compruebe si hay alimentos podridos.</p> <p>Limpie el interior del refrigerador.</p>
Funcionamiento prolongado del compresor	<p>El funcionamiento prolongado del refrigerador es normal en verano cuando la temperatura ambiente es alta.</p> <p>No es recomendable tener demasiados alimentos en el aparato al mismo tiempo;</p> <p>Los alimentos se enfriarán antes de colocarlos en el aparato.</p> <p>Las puertas se abren con demasiada frecuencia.</p>
La luz no se enciende	<p>Compruebe si el refrigerador está conectado a la fuente de alimentación y si la luz de iluminación está dañada.</p>
Las puertas no se pueden cerrar correctamente	<p>La puerta está atascada por los paquetes de alimentos.</p> <p>El refrigerador está inclinado.</p>
Ruido fuerte	<p>Verifique si el piso está nivelado y si el refrigerador está colocado de manera estable.</p> <p>Compruebe si los accesorios están colocados en ubicaciones adecuadas.</p>
Se pierde la eficiencia de sellado de la puerta.	<p>Elimine materias extrañas en el sello de la puerta.</p> <p>Caliente el sello de la puerta y luego enfríe para restaurarlo (o sople con un secador eléctrico o use una toalla caliente para calentar).</p>
La bandeja de agua se desborda	<p>Hay demasiado comidas en el compartimento o se contiene demasiada agua en las comidas almacenadas, lo que causa la descongelación intensa.</p> <p>Las puertas no están cerradas correctamente, lo que provoca la formación de escarcha debido a la entrada de aire y el aumento de agua debido a la descongelación.</p>
Carcasa caliente	<p>Se realiza la disipación de calor del condensador por la carcasa, que es normal.</p> <p>Cuando la carcasa se convierte en caliente debido a la alta temperatura ambiente, demasiada comida almacenada, o el compresor apagado, se ofrece ventilación sólida para facilitar la disipación de calor.</p>
Condensación superficial	<p>La condensación en la superficie exterior y los sellos de las puertas del refrigerador es normal cuando la humedad ambiental es demasiado alta.</p> <p>Simplemente limpie el condensado con una toalla limpia.</p>
Ruido anormal	<p>Zumbido: El compresor puede producir zumbidos durante el funcionamiento, y los zumbidos son fuertes, especialmente al arrancar o parar. Esto es normal.</p> <p>Crujido: El refrigerante que fluye dentro del aparato puede producir un crujido que es normal.</p>



Tabla 1 Clases climáticas

Clase	Símbolo	Rango de temperatura ambiente °C
Templado extendido	SN	+ 10 a + 32
Templado	N	+ 16 a + 32
Subtropical	ST	+ 16 a + 38
Tropical	T	+ 16 a + 43

Templado extendido: 'Este aparato de refrigeración está destinado a utilizarse en un rango de temperatura ambiental de 10°C a 32°C';

Templado: 'Este aparato de refrigeración está destinado a utilizarse en un rango de temperatura ambiental de 16 °C a 32 °C';

Subtropical: 'Este aparato de refrigeración está destinado a utilizarse en un rango de temperatura ambiental de 16 °C a 38 °C';

Tropical: 'Este aparato de refrigeración está destinado a utilizarse en un rango de temperatura ambiental de 16 °C a 43 °C';

Las piezas de orden en la siguiente tabla pueden ser adquiridas por canal XXX:

Pieza pedida	Suministrada por	Tiempo mínimo requerido para provisión
Termostatos	Personal de mantenimiento profesional	Al menos 7 años después de que el último modelo esté lanzado en el mercado
Sensores de temperatura	Personal de mantenimiento profesional	Al menos 7 años después de que el último modelo esté lanzado en el mercado
Tablero de circuito impreso	Personal de mantenimiento profesional	Al menos 7 años después de que el último modelo esté lanzado en el mercado
Fuentes de luz	Personal de mantenimiento profesional	Al menos 7 años después de que el último modelo esté lanzado en el mercado
Manijas de puerta	Reparadores profesionales y usuarios finales	Al menos 7 años después de que el último modelo esté lanzado en el mercado
Bisagras de puerta	Reparadores profesionales y usuarios finales	Al menos 7 años después de que el último modelo esté lanzado en el mercado
Bandejas	Reparadores profesionales y usuarios finales	Al menos 7 años después de que el último modelo esté lanzado en el mercado
Cestas	Reparadores profesionales y usuarios finales	Al menos 7 años después de que el último modelo esté lanzado en el mercado
Juntas de puerta	Reparadores profesionales y usuarios finales	Al menos 10 años después de que el último modelo esté lanzado en el mercado

Estimado cliente

1. Si desea devolver o reemplazar el producto, comuníquese con la tienda donde compra.  
(Recuerde traer la factura de compra)
2. Si su producto se descompone y necesita reparación, comuníquese con el proveedor de servicios postventa.

Teléfono:

Correo electrónico:





## ΕΓΧΕΙΡΙΔΙΟ ΧΡΗΣΤΗ

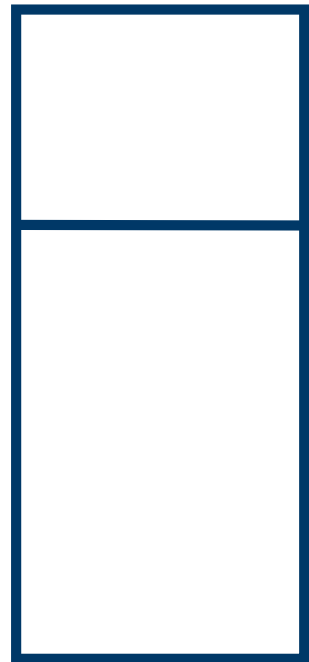
# ΨΥΓΕΙΟ

## ΨΥΓΕΙΟΚΑΤΑΨΥΚΤΗΣ



### Προειδοποίηση:

Πριν χρησιμοποιήσετε αυτό το προϊόν, διαβάστε προσεκτικά αυτό το εγχειρίδιο και κρατήστε το για μελλοντική αναφορά. Ο σχεδιασμός και οι προδιαγραφές υπόκεινται σε αλλαγές χωρίς προηγούμενη ειδοποίηση για το προϊόν βελτίωση. Συμβουλευτείτε το δικό σας αντιπρόσωπος ή κατασκευαστής για λεπτομέρειες.



**MODEL:MDRT489MTE**  
**SERIES**

[www.midea.com](http://www.midea.com)

## ΠΕΡΙΕΧΟΜΕΝΑ

1 Προειδοποιήσεις ασφαλείας	
1.1 Προειδοποίηση .....	1-3
1.2 Σημασία συμβόλων προειδοποίησης ασφαλείας .....	4
1.3 Προειδοποιήσεις σχετικά με την ηλεκτρική ενέργεια .....	4
1.4 Προειδοποιήσεις για χρήση .....	5
1.5 Προειδοποιήσεις για τοποθέτηση αντικειμένων .....	5-6
1.6 Προειδοποιήσεις για την ενέργεια .....	6
1.7 Προειδοποιήσεις για απόρριψη .....	6
2 Η σωστή χρήση του ψυγείου	
2.1 Τοποθέτηση .....	7
2.2 Ισοπέδωση πόδια .....	8
2.3 Δεξιά-Αριστερά αλλαγή πόρτας .....	8-11
2.4 Αλλαγή του φωτός .....	11
2.5 Εκκίνηση .....	12
2.6 Συμβουλές εξοικονόμησης ενέργειας .....	12
3 Δομή και λειτουργίες	
3.1 Εξαρτήματα κλειδιά .....	13
3.2 Λειτουργίες .....	14
4 Συντήρηση και φροντίδα του ψυγείου	
4.1 Συνολικός καθαρισμός .....	15
4.2 Καθαρισμός του δίσκου πόρτας .....	15
4.3 Απόψυξη .....	16
4.4 Χωρίς λειτουργία .....	16
5 Επίλυση προβλημάτων .....	17
6 Παράμετροι .....	18

## 1. ΠΡΟΕΙΔΟΠΟΙΗΣΕΙΣ ΑΣΦΑΛΕΙΑΣ



**Προειδοποίηση:** κίνδυνος πυρκαγιάς / εύφλεκτων υλικών

**Η ΠΑΡΟΥΣΑ** συσκευή προορίζεται για οικιακή χρήση και παρόμοιες εφαρμογές όπως χώροι κουζίνας προσωπικού σε καταστήματα, γραφεία και λοιπά εργασιακά περιβάλλοντα, αγροτικές κατοικίες και από πελάτες σε τουριστικά καταλύματα, ξενοδοχεία και λοιπά περιβάλλοντα κατοικίας, σε περιβάλλοντα βραχείας διαμονής, υπηρεσίας τροφοδοσίας τροφίμων και παρόμοιες εφαρμογές που δεν σχετίζονται με το λιανικό εμπόριο.

**Η ΠΑΡΟΥΣΑ** συσκευή δεν προορίζεται για χρήση από άτομα (συμπεριλαμβανομένων παιδιών) με περιορισμένες φυσικές, αισθητικές ή νοητικές ικανότητες ή περιορισμένη εμπειρία και γνώσεις, εκτός αν τους έχουν παρασχεθεί οδηγίες και εντολές σχετικά με τη χρήση της συσκευής από άτομο υπεύθυνο για την ασφάλειά τους.

**Τα** παιδιά πρέπει να επιβλέπονται για να εξασφαλιστεί πως δεν παίζουν με την συσκευή. ΕΑΝ το καλώδιο τροφοδοσίας είναι κατεστραμμένο, πρέπει να αντικατασταθεί από τον κατασκευαστή, τον επισκευαστή ή από άτομο με παρόμοια κατάρτιση, για να αποφευχθεί ο κίνδυνος.

**ΝΑ ΜΗΝ** αποθηκεύετε στην παρούσα συσκευή εκρηκτικά υλικά όπως δοχεία αερολύματος με εύφλεκτα προωθητικά αέρια.

**Η** συσκευή θα πρέπει να αποσυνδεθεί από την παροχή ρεύματος μετά τη χρήση και πριν τις εργασίες συντήρησης στη συσκευή.

**ΠΡΟΕΙΔΟΠΟΙΗΣΗ:** Διατηρείτε τα ανοίγματα εξαερισμού, στο περίβλημα της συσκευής ή στην ενσωματωμένη δομή, χωρίς εμπόδια.

**ΠΡΟΕΙΔΟΠΟΙΗΣΗ:** Μη χρησιμοποιείτε μηχανικές συσκευές ή άλλα μέσα για να επιταχύνετε τη διαδικασία απόψυξης, εκτός από εκείνες που συνιστώνται από τον κατασκευαστή. **ΠΡΟΕΙΔΟΠΟΙΗΣΗ:** Μην βλάπτετε το κύκλωμα ψυκτικού μέσου.

**ΠΡΟΕΙΔΟΠΟΙΗΣΗ:** Μην χρησιμοποιείτε ηλεκτρικές συσκευές μέσα στα διαμερίσματα αποθήκευσης τροφίμων της συσκευής, εκτός αν είναι του τύπου που συνιστά ο κατασκευαστής.

**ΠΡΟΕΙΔΟΠΟΙΗΣΗ:** Παρακαλείστε να απορρίψετε το ψυγείο σύμφωνα με τους τοπικούς κανόνες γιατί χρησιμοποιούν εύφλεκτα αέρια ψυήματος και ψυκτικό.

**ΠΡΟΕΙΔΟΠΟΙΗΣΗ:** Κατά την τοποθέτηση της συσκευής, βεβαιωθείτε ότι το καλώδιο τροφοδοσίας δεν έχει παγιδευτεί ή έχει υποστεί ζημιά.

**ΠΡΟΕΙΔΟΠΟΙΗΣΗ:** Μην τοποθετείτε πολλές φορητές πρίζες ή φορητές τροφοδοτικές συσκευές στο πίσω μέρος της συσκευής.

**ΝΑ ΜΗΝ** χρησιμοποιείτε καλώδια επέκτασης ή διπολικές πρίζες (χωρίς γείωση).

**ΚΙΝΔΥΝΟΣ:** Κίνδυνος παγίδευσης παιδιού. Πριν πετάξετε το παλιό ψυγείο ή τον καταψύκτη:

- Αφαιρέστε τις πόρτες.
- Αφήστε τα ράφια στη θέση τους, ώστε τα παιδιά να μην μπορούν να ανέβουν εύκολα μέσα. Ο καταψύκτης θα πρέπει να είναι αποσυνδεδεμένος από την πηγή του ηλεκτρικού ρεύματος πριν επιχειρήσετε την εγκατάσταση των εξαρτημάτων.

**ΤΟ ΨΥΚΤΙΚΟ ΥΛΙΚΟ** και το κυκλοπεντάνιο που χρησιμοποιούνται στην παρούσα συσκευή είναι εύφλεκτα. Επομένως, κατά τη διάλυση της συσκευής, θα πρέπει να φυλάσσεται μακριά από οποιαδήποτε πηγή πυρκαγιάς και να ανακτάται από μια ειδική εταιρεία ανάκτησης με αντίστοιχη πιστοποίηση διαφορετική από τη διάθεση με καύση, έτσι ώστε να αποφεύγεται η βλάβη στο περιβάλλον ή οποιαδήποτε άλλη βλάβη.

**ΓΙΑ** προδιαγραφές στην Ευρώπη: Αυτή η συσκευή μπορεί να χρησιμοποιηθεί από παιδιά ηλικία 8 ετών και άνω και άτομα με μειωμένες φυσικές, αισθητηριακές ή νοητικές δυνατότητες ή μειωμένη εμπειρία και γνώση αν έχουν εποπτεία ή οδηγίες που αφορούν τη χρήση της συσκευής με τρόπο ασφαλή και κατανοούν τους κινδύνους. Τα παιδιά δεν θα πρέπει να παίζουν με την συσκευή. Ο καθαρισμός και η συντήρηση δεν θα πρέπει να γίνεται από παιδιά χωρίς κάποια επίβλεψη. Τα παιδιά ηλικίας από 3 έως 8 ετών επιτρέπεται να φορτώνουν και να εκφορτώνουν ψυκτικές συσκευές.

**Αναγκαστικά**, για πόρτες ή καπάκια εφοδιασμένα με κλειδαριές και κλειδιά, τα κλειδιά πρέπει να φυλάσσονται μακριά από παιδιά και όχι κοντά στην ψυκτική συσκευή, προκειμένου να αποφευχθεί το κλείδωμα των παιδιών μέσα.

**ΓΙΑ** να αποφύγετε τη μόλυνση των τροφίμων, τηρήστε τις παρακάτω οδηγίες:




- Το άνοιγμα της πόρτας για μεγάλα χρονικά διαστήματα μπορεί να προκαλέσει σημαντική αύξηση της θερμοκρασίας στα τμήματα της συσκευής.
- Καθαρίζετε τακτικά επιφάνειες που μπορούν να έλθουν σε επαφή με τρόφιμα και προσβάσιμα συστήματα αποχέτευσης.

- Δεξαμενές καθαρού νερού εάν δεν έχουν χρησιμοποιηθεί για 48 ώρες. Ξεπλύνετε το σύστημα ύδρευσης που είναι συνδεδεμένο με παροχή νερού εάν δεν έχει τραβηχτεί νερό για 5 ημέρες.. (σημείωση 1)
  - Φυλάσσετε το ωμό κρέας και τα ψάρια σε κατάλληλα δοχεία στο ψυγείο, έτσι ώστε να μην έρχονται σε επαφή ή να στάζουν σε άλλα τρόφιμα.
  - Τα διαμερίσματα δύο αστέρων κατεψυγμένων τροφίμων είναι κατάλληλα για αποθήκευση προκατεψυγμένων τροφίμων, αποθήκευση ή κατασκευή παγωτού και για παγάκια (σημείωση 2) - Τα διαμερίσματα ενός, δύο και τριών αστέρων δεν είναι κατάλληλα για την κατάψυξη φρέσκων τροφίμων. (σημείωση 3)
  - Εάν η ψυκτική συσκευή παραμείνει κενή για μεγάλα χρονικά διαστήματα, απενεργοποιήστε, αποψύξτε, καθαρίστε, στεγνώστε και αφήστε την πόρτα ανοιχτή για να αποτρέψετε την ανάπτυξη μούχλας μέσα στη συσκευή.
  - Για συσκευές χωρίς διαμέρισμα 4 αστέρων: αυτή η ψυκτική συσκευή δεν είναι κατάλληλη για κατάψυξη τροφίμων. (σημείωση 4)
- Σημείωση 1,2,3,4: Παρακαλείστε να επιβεβαιώσετε αν ισχύει ανάλογα με το είδος του διαμερισμάτος σας.

**ΓΙΑ** μια αυτόνομη συσκευή: η παρούσα ψυκτική συσκευή δεν προορίζεται για να χρησιμοποιηθεί ως εντοιχισμένη συσκευή.

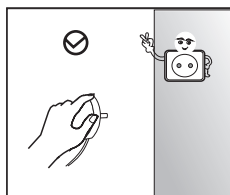
**Η** ΟΠΟΙΑΔΗΠΟΤΕ αντικατάσταση ή συντήρηση των λαμπτήρων LED προορίζεται να γίνει από τον κατασκευαστή, τον αντιπρόσωπό του ή από ομοίως εξειδικευμένο άτομο.

## 1.2 Σημασία συμβόλων προειδοποίησης ασφαλείας

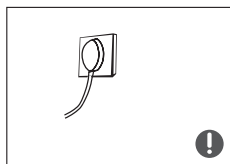
	Αυτό είναι ένα σύμβολο απαγόρευσης. Οποιαδήποτε μη συμμόρφωση με τις οδηγίες που σημειώνονται με αυτό το σύμβολο ενδέχεται να προκαλέσει βλάβη στο προϊόν ή να θέσει σε κίνδυνο την προσωπική ασφάλεια του χρήστη.
Σύμβολο απαγόρευσης	
	Πρόκειται για ένα προειδοποιητικό σύμβολο. Απαιτείται να λειτουργεί με αυστηρή τήρηση των οδηγιών που σημειώνονται με αυτό το σύμβολο. ή αλλιώς μπορεί να προκληθεί βλάβη στο προϊόν ή σωματικές βλάβες.
Σύμβολο προειδοποίησης	
	Αυτό είναι ένα σύμβολο προειδοποίησης. Οι οδηγίες που σημειώνονται με αυτό το σύμβολο απαιτούν ιδιαίτερη προσοχή. Η ανεπαρκής προσοχή μπορεί να προκαλέσει ελαφρύ ή μέτριο τραυματισμό ή βλάβη στο προϊόν.
Σημείωση συμβόλου	

Αυτό το εγχειρίδιο περιέχει πολλές σημαντικές πληροφορίες για την ασφάλεια, οι οποίες πρέπει να τηρούνται από τους χρήστες.

## 1.3 Προειδοποίηση σχετικά με την ηλεκτρική ενέργεια



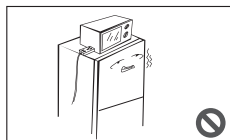
- Μην τραβάτε το καλώδιο ρεύματος όταν τραβάτε το βύσμα του ψυγείου. Στερεώστε το βύσμα και τραβήξτε το απευθείας από την πρίζα.
- Για να διασφαλίσετε την ασφαλή χρήση, μη βλάπτετε το καλώδιο τροφοδοσίας ή χρησιμοποιείτε το καλώδιο τροφοδοσίας όταν είναι κατεστραμμένο ή φθαρμένο.



- Χρησιμοποιήστε μια ειδική πρίζα και η πρίζα δεν πρέπει να μοιράζεται με άλλες ηλεκτρικές συσκευές. Το φως πρέπει να έρθει σε επαφή με την πρίζα ή να προκληθεί πυρκαγιά.
- Βεβαιωθείτε ότι το ηλεκτρόδιο γείωσης της πρίζας είναι εφοδιασμένο με αξιόπιστη γείωση.



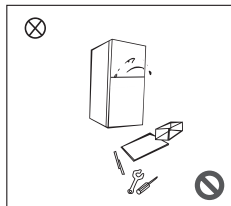
- Απενεργοποιήστε τη βαλβίδα του διαρρέοντος αερίου και στη συνέχεια ανοίξτε τις πόρτες και τα παράθυρα σε περίπτωση διαρροής αερίου και άλλων εύφλεκτων αερίων. Μην αποσυνδέετε το ψυγείο και άλλες ηλεκτρικές συσκευές, δεδομένου ότι ο σπινθήρας μπορεί να προκαλέσει πυρκαγιά.



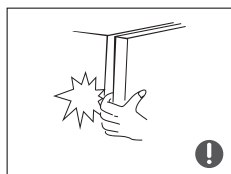
- Μην χρησιμοποιείτε ηλεκτρικές συσκευές στην κορυφή της συσκευής, εκτός αν είναι του τύπου που συνιστά ο κατασκευαστής.



## 1.4 Προειδοποιήσεις για χρήση



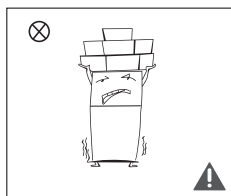
- Μην αποσυναρμολογήσετε ή ανακατασκευάσετε αυθαίρετα το ψυγείο, ούτε να προκαλείτε το κύκλωμα του ψυκτικού μέσου. η συντήρηση της συσκευής πρέπει να γίνεται από ειδικό
- Το κατεστραμμένο καλώδιο τροφοδοσίας πρέπει να αντικατασταθεί από τον κατασκευαστή, το τμήμα συντήρησης ή τους συναφείς επαγγελματίες, προκειμένου να αποφευχθεί ο κίνδυνος.



- Τα κενά μεταξύ των θυρών ψυγείων και μεταξύ των θυρών και του σώματος του ψυγείου είναι μικρά, σημειώστε ότι δεν πρέπει να τοποθετήσετε το χέρι σας σε αυτές τις περιοχές για να αποφύγετε τη συμπίεση του δακτύλου. Να είστε ήρεμοι όταν κλείνετε την πόρτα του ψυγείου για να αποφύγετε την πτώση αντικειμένων.
- Μην συλλέγετε τρόφιμα ή δοχεία με υγρά χέρια στο θάλαμο κατάψυξης όταν λειτουργεί το ψυγείο, ειδικά μεταλλικά δοχεία, για να αποφύγετε το κρουσπαγήματα.

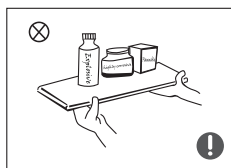


- Μην επιτρέπετε σε κανένα παιδί να εισέλθει ή να ανέβει στο ψυγείο. διαφορετικά μπορεί να προκληθεί ασφυξία ή πτώση του παιδιού.

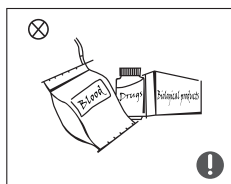


- Μην τοποθετείτε βαριά αντικείμενα στην κορυφή του ψυγείου, θεωρώντας ότι τα αντικείμενα ενδέχεται να πέσουν όταν κλείσουν ή ανοίξουν την πόρτα και ενδέχεται να προκληθούν τυχαίες βλάβες.
- Βγάλτε το βύσμα σε περίπτωση διακοπής ρεύματος ή καθαρισμού. Μην συνδέσετε το ψυγείο στην παροχή ρεύματος για πέντε λεπτά για να αποφύγετε βλάβες στον συμπιεστή λόγω των διαδοχικών επανεκκινήσεων

## 1.5 Προειδοποιήσεις για τοποθέτηση αντικειμένων



- Μην τοποθετείτε εύφλεκτα, εκρηκτικά, πηκτικά και ιδιαίτερα διαβρωτικά αντικείμενα στο ψυγείο για να αποφύγετε ζημιές στο προϊόν ή ατυχήματα κατά της φωτιάς.
- Μην τοποθετείτε εύφλεκτα αντικείμενα κοντά στο ψυγείο για να αποφύγετε τις πυρκαγιές.



- Το ψυγείο προορίζεται για οικιακή χρήση, όπως η αποθήκευση τροφίμων. δεν πρέπει να χρησιμοποιείται για άλλους σκοπούς, όπως η αποθήκευση αίματος, ναρκωτικών ή βιολογικών προϊόντων κ.λπ.



- Μη φυλάσσετε μπίρα, ποτό ή άλλο υγρό που περιέχεται σε φιάλες ή κλειστούς περιέκτες στο θάλαμο ψύξης του ψυγείου. Διαφορετικά οι φιάλες ή οι κλειστοί περιέκτες ενδέχεται να σπάσουν λόγω της κατάψυξης για να προκαλέσουν ζημιές.

## 1.6 Προειδοποιήσεις για την ενέργεια

Προειδοποίηση για ενέργεια

- 1) Οι συσκευές ψύξης ενδέχεται να μην λειτουργούν με συνέπεια (πιθανότητα απόψυξης του περιεχομένου ή υπερβολική ζέστη θερμοκρασίας στο χώρο κατεψυγμένου φαγητού) όταν τοποθετούνται για παρατεταμένο χρονικό διάστημα κάτω από το ψυχρό άκρο της κλίμακας θερμοκρασιών για τις οποίες έχει σχεδιαστεί η ψυκτική συσκευή.
- 2) Το γεγονός ότι τα αναβράζοντα ποτά δεν πρέπει να αποθηκεύονται σε καταψύκτες τροφίμων ή σε ερμάρια ή σε διαμερίσματα ή ερμάρια χαμηλής θερμοκρασίας και ότι ορισμένα προϊόντα, όπως τα παγωτά, δεν πρέπει να καταναλώνονται πολύ κρύα.
- 3) Την ανάγκη να μην υπερβεί ο ή οι χρόνοι αποθήκευσης που συνιστώνται από τους παρασκευαστές τροφίμων για οποιοδήποτε είδος τροφίμου και ιδιαίτερα για εμπορικά κατεψυγμένα τρόφιμα σε χώρους ή καταψύκτες τροφίμων και καταψύκτες τροφίμων.
- 4) Τις προφυλάξεις που είναι απαραίτητες για να αποφευχθεί η αδικαιολόγητη αύξηση της θερμοκρασίας των κατεψυγμένων τροφίμων κατά την απόψυξη της συσκευής ψύξης, όπως η περιτύλιξη του κατεψυγμένου φαγητού σε διάφορα στρώματα της εφημερίδας.
- 5) Το γεγονός ότι η αύξηση της θερμοκρασίας των κατεψυγμένων τροφίμων κατά τη διάρκεια της χειροκίνητης απόψυξης, συντήρησης ή καθαρισμού θα μπορούσε να συντομεύσει τη διάρκεια αποθήκευσης.
- 6) Η ανάγκη να παραμείνουν τα κλειδιά για τις πόρτες ή τα καλύμματα που διαθέτουν κλειδαριές και κλειδιά μακριά από τα παιδιά και όχι κοντά στη συσκευή ψύξης, προκειμένου να αποφευχθεί το κλειδίωμα των παιδιών στο εσωτερικό τους.

## 1.7 Προειδοποιήσεις για απόρριψη

Το ψυκτικό μέσο και το υλικό αφρισμού με κυκλοπεντάνιο που χρησιμοποιείται για το ψυγείο είναι εύφλεκτα. Επομένως, όταν το ψυγείο διαλύεται, πρέπει να απομακρύνεται από οποιαδήποτε πηγή πυρκαγιάς και να αποσύρεται από μια ειδική εταιρεία απόρριψης με αντίστοιχη πιστοποίηση διαφορετική από την απόρριψη με καύση, έτσι ώστε να αποφεύγεται η βλάβη στο περιβάλλον ή οποιαδήποτε άλλη βλάβη.

Όταν το ψυγείο διαλύεται, αποσυναρμολογήστε τις πόρτες και αφαιρέστε τη φλάντζα των θυρών και των ράφια. Βάλτε τις πόρτες και τα ράφια σε ένα κατάλληλο μέρος, ώστε να αποφευχθεί η παγίδευση οποιουδήποτε παιδιού.

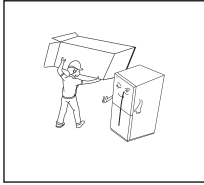


Σωστή απόρριψη αυτού του προϊόντος:

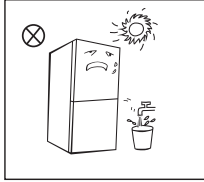
Αυτή η σήμανση υποδεικνύει ότι το προϊόν αυτό δεν πρέπει να διατεθεί μαζί με άλλα οικιακά απορρίμματα σε όλη την ΕΥ. Προκειμένου να αποφευχθεί τυχόν βλάβη στο περιβάλλον ή στην ανθρώπινη υγεία από την ανεξέλεγκτη διάθεση των αποβλήτων, ανακυκλώστε με υπευθυνότητα για την προώθηση της βιώσιμης επαναχρησιμοποίησης των υλικών πόρων. Για να επιστρέψετε τη χρησιμοποιημένη συσκευή σας, χρησιμοποιήστε τα συστήματα επιστροφής και συλλογής ή επικοινωνήστε με τον αντιπρόσωπο όπου αγοράστηκε το προϊόν. Μπορούν να πάρουν αυτό το προϊόν για περιβαλλοντική ασφαλή ανακύκλωση.

## 2 Η σωστή χρήση του ψυγείου

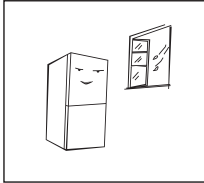
### 2.1 Τοποθέτηση



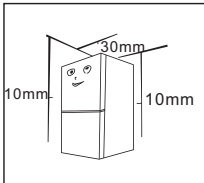
- Πριν από τη χρήση, αφαιρέστε όλα τα υλικά συσκευασίας, συμπεριλαμβανομένων των μαξιλαριών βάσης, των μαξιλαριών αφρού και των ταινιών μέσα στο ψυγείο. αφαιρέστε την προστατευτική μεμβράνη στις πόρτες και στο σώμα του ψυγείου.



- Κρατήστε μακριά από τη θερμότητα και αποφύγετε το άμεσο ηλιακό φως. Μην τοποθετείτε τον καταψύκτη σε υγρά ή υγρά μέρη για να αποφύγετε τη σκουριά ή τη μείωση της μονωτικής επίδρασης.



- Το ψυγείο τοποθετείται σε καλά αεριζόμενο εσωτερικό χώρο. το έδαφος πρέπει να είναι επίπεδο και ανθεκτικό (περιστρέψτε αριστερά ή δεξιά για να ρυθμίσετε τον τροχό για ισοπέδωση εάν είναι ασταθές).



- Ο ανώτερος χώρος του ψυγείου πρέπει να είναι μεγαλύτερος από 30cm και το ψυγείο πρέπει να τοποθετείται σε τοίχο με ελεύθερη απόσταση μεγαλύτερη από 10cm για να διευκολύνει τη διάχυση της θερμότητας.



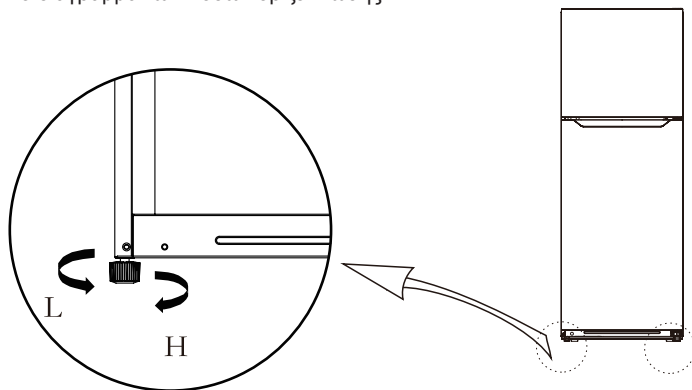
**Προφυλάξεις πριν από την εγκατάσταση:**

Πριν από την εγκατάσταση ή την προσαρμογή των εξαρτημάτων, πρέπει να διασφαλιστεί ότι το ψυγείο αποσυνδέεται από την παροχή ρεύματος.

Πρέπει να λαμβάνονται προφυλάξεις για να αποφευχθεί η πτώση της χειρολαβής από την πρόκληση σωματικών βλαβών.

## 2.2 Ισοπέδωση πόδια

Σχηματικό διάγραμμα των ποδιών οριζοντίωσης


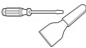




(Η παραπάνω εικόνα είναι μόνο για αναφορά. Η πραγματική διαμόρφωση θα εξαρτηθεί από το φυσικό προϊόν ή τη δήλωση από τον διανομέα)

Διαδικασίες προσαρμογής:

- Τοποθετήστε τα πόδια προς τα δεξιά για να σηκώσετε το ψυγείο.
- Περιστρέψτε τα πόδια προς τα αριστερά για να χαμηλώσετε το ψυγείο.
- Ρυθμίστε το δεξιό και το αριστερό πόδι με βάση τις παραπάνω διαδικασίες σε οριζόντιο επίπεδο.

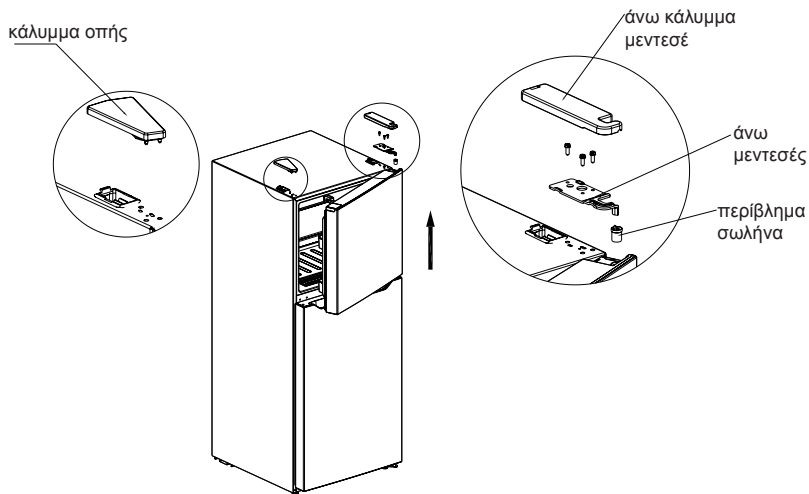
## 2.3 Δεξιά-Αριστερά αλλαγή πόρτας

Κατάλογος εργαλείων που θα παρέχει ο χρήστης			
	Σταυροκατσάβιδο		Εργαλείο κατασβιδιών λεπτής λεπίδας
	5/16" πρίζα και καστανίες		Χαρτοταινία

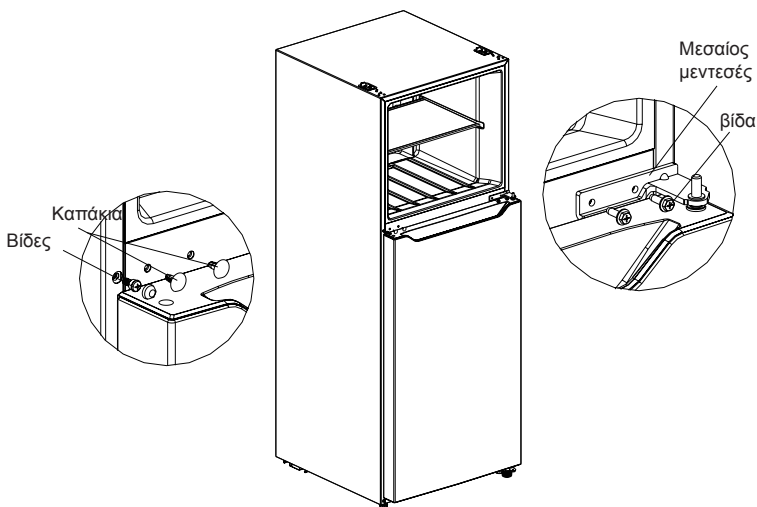
Ανταλλακτικά που πρέπει να χρησιμοποιηθούν για την πίσω πόρτα			
Αριθμός	Όνομα	Αριθμός	Σημείωση
1	Επάνω δεξιά άρθρωση	1	Προεγκατεστημένο στο ψυγείο, αφαιρείται όταν αναστρέφεται η πόρτα και διατηρείται για μελλοντική χρήση
2	Κάλυμμα πάνω δεξιά μεντεσέ	1	Προεγκατεστημένο στο ψυγείο, αφαιρείται όταν αναστρέφεται η πόρτα και διατηρείται για μελλοντική χρήση
3	κάλυμμα οπής	1	Προεγκατεστημένο στο ψυγείο, εξακολουθεί να χρησιμοποιείται όταν η πόρτα αντιστρέφεται
4	Τάπα	1	Προεγκατεστημένο στο ψυγείο, εξακολουθεί να χρησιμοποιείται όταν η πόρτα αντιστρέφεται
5	Τάπα χαμηλού μεντεσέ	1	Προεγκατεστημένο στο ψυγείο, εξακολουθεί να χρησιμοποιείται όταν η πόρτα αντιστρέφεται
6	Ευθυγράμμιση ποδιών	1	Προεγκατεστημένο στο ψυγείο, εξακολουθεί να χρησιμοποιείται όταν η πόρτα αντιστρέφεται
7	Κάλυμμα για το αριστερό καπάκι	1	Προ-εγκατεστημένο στον καταψύκτη, εξακολουθεί να χρησιμοποιείται όταν η πόρτα αντιστραφεί
8	Αριστερός άνω μεντεσές	1	Στην συνοδευόμενη πλαστική σακούλα, βγάλτε τους έξω για χρήση όταν η πόρτα αντιστραφεί
9	Κάλυμμα άνω αριστερά μεντεσέ	1	Στην συνοδευόμενη πλαστική σακούλα, βγάλτε τους έξω για χρήση όταν η πόρτα αντιστραφεί
10	Κάλυμμα για το δεξί καπάκι	1	Στην συνοδευόμενη πλαστική σακούλα, βγάλτε τους έξω για χρήση όταν η πόρτα αντιστραφεί

1) Προτού εκτελέσετε αυτή τη λειτουργία, απενεργοποιήστε τη συσκευή. Αφαιρέστε όλα τα τρόφιμα από τα ράφια.

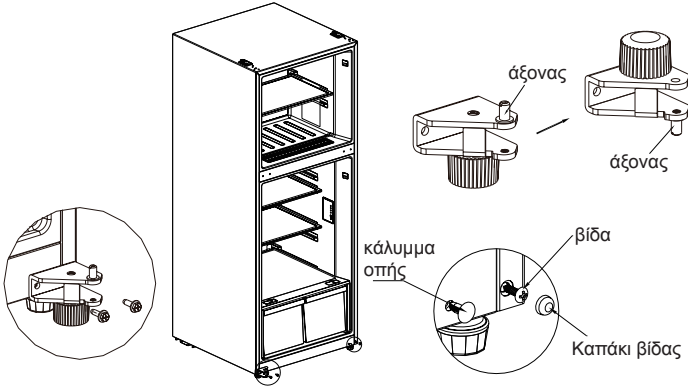
2) Αφαιρέστε το καπάκι της τρύπας, το κάλυμμα του πάνω μεντεσέ, τις βίδες του πάνω μεντεσέ και το περίβλημα του σωλήνα, έπειτα σηκώστε την πόρτα του καταψύκτη μέχρι να διαχωριστεί τελείως από το ντουλάπι.



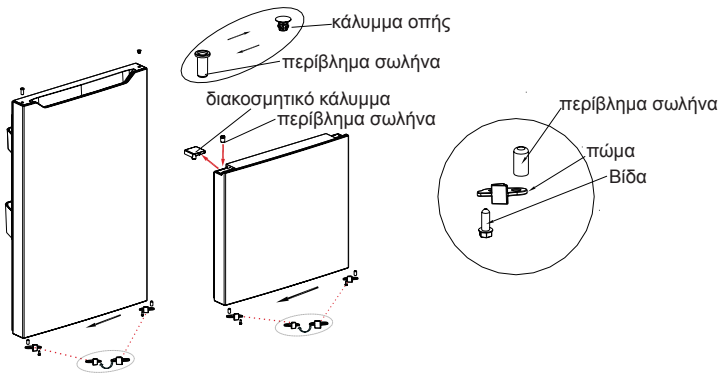
3) Αφαιρέστε τα καπάκια για τις τρύπες, τις βίδες του μεσαίου μεντεσέ και τον μεσαίο μεντεσέ, και αφαιρέστε τις βίδες και τα καπάκια από τις βίδες από την άλλη πλευρά έπειτα σηκώστε την πόρτο του ψυγείου μέχρι να διαχωριστεί τελείως από το ντουλάπι.



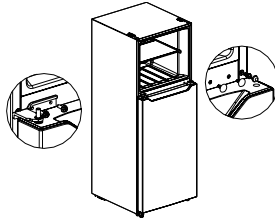
4) Αφαιρέστε την συναρμολόγηση του χαμηλού μεντεσέ από την κάτω δεξιά γωνία και αφαιρέστε το καπάκι της τρύπας, βγάλτε το καπάκι από την αριστερή χαμηλή γωνία. Αποσυναρμολογήστε τον μεντεσέ και το πόδι ρύθμισης και εγκαταστήστε τα στην άλλη πλευρά του χαμηλού μεντεσέ. Έπειτα εγκαταστήστε τον κάτω χαμηλό μεντεσέ στην κάτω αριστερή γωνία τοποθετώντας τις βίδες και εγκαθιστώντας το καπάκι της τρύπας και το καπάκι της βίδας στην χαμηλή αριστερή γωνία.



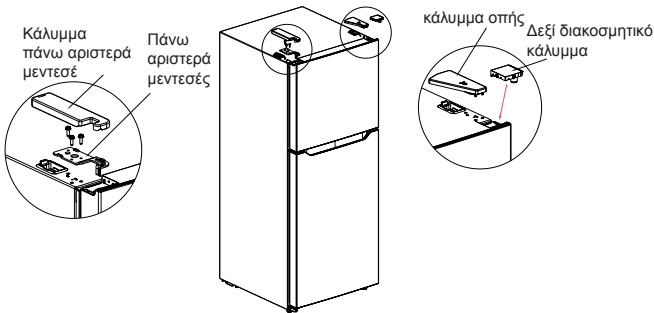
5) Αποσυναρμολογήστε τα πώματα, τα περιβλήματα των σωλήνων στις πόρτες του ψυγείου και του καταψύκτη, εγκαταστήστε τα στην άλλη πλευρά των δύο πορτών, αλλάξτε τη θέση εγκατάστασης των περιβλημάτων των σωλήνων και του καπακιού της τρύπας στο πάνω άκρο του καπακιού στην πόρτα του καταψύκτη. Αφαιρέστε το αριστερό διακοσμητικό κάλυμμα στην πόρτα του καταψύκτη, και αφαιρέστε το περίβλημα του σωλήνα



6) Εγκαταστήστε το εξάρτημα της πόρτας του ψυγείου στον κάτω μεντεσέ και στη συνέχεια εγκαταστήστε τον πάνω μεντεσέ, τις βίδες και τα καπάκια.



7) Αφαιρέστε τον πάνω αριστερά μεντεσέ, το πάνω αριστερά κάλυμμα, και το δεξί διακοσμητικό κάλυμμα από την τσάντα με τα αξεσουάρ, εγκαταστήστε την πόρτα του καταψύκτη στο μεσαίο μεντεσέ, και εγκαταστήστε τον πάνω αριστερά μεντεσέ, το αριστερό κάλυμμα του μεντεσέ και το καπάκι της τρύπας. Τέλος, εγκαταστήστε το δεξί διακοσμητικό κάλυμμα στη δεξιά πλευρά του ακριανού καλύμματος στην πόρτα του καταψύκτη.

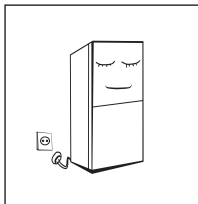


(Η παραπάνω εικόνα είναι μόνο για αναφορά. Η πραγματική διαμόρφωση θα εξαρτηθεί από το φυσικό προϊόν ή τη δήλωση από τον διανομέα)

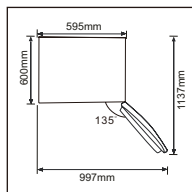
## 2.4 Αλλαγή του φωτός

Οποιαδήποτε αντικατάσταση ή συντήρηση των λαμπτήρων LED προορίζεται να πραγματοποιηθεί από τον κατασκευαστή, τον αντιπρόσωπο σέρβις ή άλλο παρόμοιο εξειδικευμένο άτομο.

## 2.5 Εκκίνηση



- Πριν την αρχική έναρξη, διατηρήστε το ψυγείο σταθερό για δύο ώρες πριν το συνδέσετε στην παροχή ρεύματος.
- Πριν τοποθετήσετε φρέσκα ή κατεψυγμένα τρόφιμα, το ψυγείο πρέπει να λειτουργεί για 2-3 ώρες ή για πάνω από 4 ώρες το καλοκαίρι, όταν η θερμοκρασία περιβάλλοντος είναι υψηλή.



- Εξασφαλίστε αρκετό χώρο για άνετο άνοιγμα των θυρών και των συρταριών ή δήλωση από τον διανομέα.

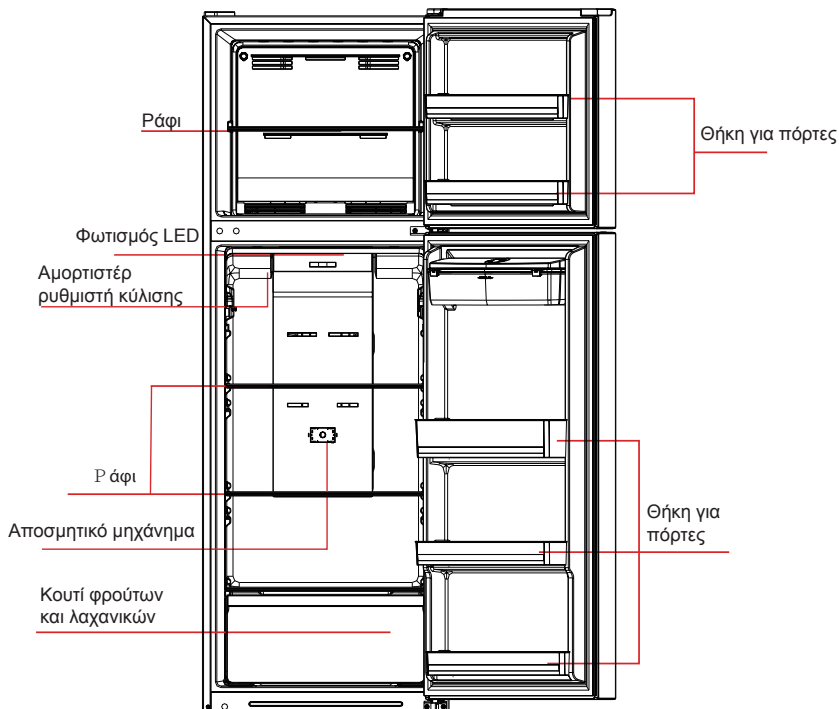
## 2.6 Συμβουλές εξοικονόμησης ενέργειας

- Η συσκευή θα πρέπει να βρίσκεται στην πιο ζεστή περιοχή του δωματίου, μακριά από συσκευές που παράγουν θερμότητα ή αγωγούς θέρμανσης και έξω από το άμεσο ηλιακό φως.
- Αφήστε τα ζεστά τρόφιμα να κρυώσουν σε θερμοκρασία δωματίου πριν τα τοποθετήσετε στη συσκευή. Η υπερφόρτωση της συσκευής αναγκάζει το συμπιεστή να λειτουργήσει περισσότερο. Τα τρόφιμα που παγώνουν πολύ αργά μπορεί να χάσουν την ποιότητα ή να χαλάσουν.
- Βεβαιωθείτε ότι έχετε συσκευάσει σωστά τα τρόφιμα και στεγνώστε τα δοχεία πριν τα τοποθετήσετε στη συσκευή. Αυτό μειώνει τη συσσώρευση παγετού στο εσωτερικό της συσκευής.
- Ο κάδος αποθήκευσης της συσκευής δεν πρέπει να είναι επενδυμένος με φύλλο αλουμινίου, χαρτί με κερί ή χαρτί κουζίνας. Οι επενδύσεις παρεμποδίζουν την κυκλοφορία ψυχρού αέρα, καθιστώντας τη συσκευή λιγότερο αποτελεσματική.
- Οργανώστε και επιστημάνετε τα τρόφιμα για να μειώσετε τα ανοίγματα των θυρών και τις εκτεταμένες αναζητήσεις. Αφαιρέστε όσα αντικείμενα χρειάζονται κάθε φορά, και κλείστε την πόρτα όσο γίνεται πιο γρήγορα.



## 3 Δομή και λειτουργίες

### 3.1 Εξαρτήματα κλειδιά



(Η παραπάνω εικόνα είναι μόνο για αναφορά. Η πραγματική διαμόρφωση θα εξαρτηθεί από το φυσικό προϊόν ή τη δήλωση από τον διανομέα)

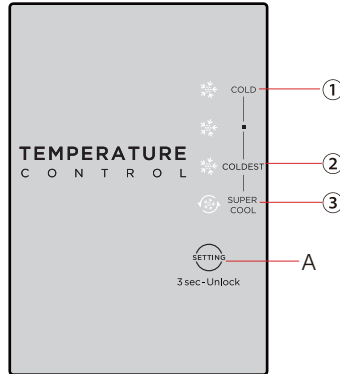
#### Θάλαμος ψύξης

- Το ψυκτικό θάλαμο είναι κατάλληλο για αποθήκευση ποικιλίας φρούτων, λαχανικών, ποτών και άλλων τροφίμων που καταναλώνονται βραχυπρόθεσμα.
- Τα τρόφιμα μαγειρέματος δεν πρέπει να τοποθετούνται στον θάλαμο ψύξης μέχρι να ψυχθούν σε θερμοκρασία δωματίου.
- Τα τρόφιμα συνιστώνται να σφραγίζονται πριν τοποθετηθούν στο ψυγείο.
- Τα γυάλινα ράφια μπορούν να ρυθμιστούν προς τα επάνω ή προς τα κάτω για ένα λογικό ποσό αποθηκευτικού χώρου και εύκολη χρήση.

#### Θάλαμος κατάψυξης

- Ο θάλαμος κατάψυξης σε χαμηλή θερμοκρασία μπορεί να κρατήσει τα τρόφιμα φρέσκα για μεγάλο χρονικό διάστημα και χρησιμοποιείται κυρίως για την αποθήκευση κατεψυγμένων τροφίμων και τη δημιουργία πάγου.
- Ο θάλαμος κατάψυξης είναι κατάλληλος για την αποθήκευση κρέατος, ψαριών, μπάλες ρυζιού και άλλων τροφίμων που δεν καταναλώνονται βραχυπρόθεσμα.
- Τα τεμάχια κρέατος κατά προτίμηση διαιρούνται σε μικρά κομμάτια για εύκολη πρόσβαση. Σημειώστε ότι τα τρόφιμα καταναλώνονται στο χρόνο αποθήκευσης.

## 3.2 Λειτουργίες



(Η παραπάνω εικόνα είναι μόνο για αναφορά. Η πραγματική διαμόρφωση θα εξαρτηθεί από το φυσικό προϊόν ή τη δήλωση από τον διανομέα)

### 1)Κλειδί

Ένα κουμπί ρύθμισης θερμοκρασίας για το τμήμα του ψυγείου

### 2)Οθόνη εμφάνισης

① ρύθμιση 1: COLD (ΚΡΥΟ)

② ρύθμιση 2: •

③ ρύθμιση 3: COLDEST (ΤΟ ΨΥΧΡΟ ΤΕΡΟ)

④ ρύθμιση 4: ΤΕΛΕΙΟΣ ΔΡΟΣΙΣΤΕΡ

### 3)Εμφάνιση

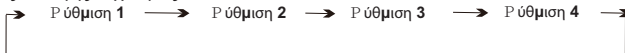
Όταν ηλεκτροδοτήσετε το ψυγείο για πρώτη φορά, η οθόνη εμφάνισης φωτίζεται πλήρως για 3 δευτερόλεπτα, και στη συνέχεια το ψυγείο λειτουργεί σύμφωνα με τη ρύθμιση 3. Σε περίπτωση αποτυχίας, το αντίστοιχο LED αναβοσβήνει. Σε περίπτωση μη αποτυχίας, εμφανίζεται η ρύθμιση θερμοκρασίας του ψυγείου.

Κωδικός Σφάλματος	Περιγραφή Σφάλματος
Δείκτης ρύθμιση 1 και ρύθμιση 2	Αισθητήρας θερμοκρασίας ψυγείου
Δείκτης ρύθμιση 1 και ρύθμιση 3	Αισθητήρας απόψυξης κατάψυξης
Δείκτης ρύθμιση 1 και ρύθμιση 4	Αισθητήρας θερμοκρασίας περιβάλλοντος

### 4)Ρύθμιση θερμοκρασίας

Κάθε φορά που το κουμπί A ρύθμισης της θερμοκρασίας πατιέται μία φορά, η ρύθμιση της θερμοκρασίας θα τρέξει σύμφωνα με την ορισμένη τιμή μετά από 15δ. Αφού ολοκληρωθεί η ρύθμιση θερμοκρασίας, το ψυγείο θα τρέξει σύμφωνα με την ορισμένη τιμή μετά από 15δ.

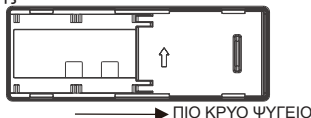
Ο κανονισμός αλλαγής ταχύτητας είναι:



### 5)Κλειδώμα/Ξεκλειδώμα

Όταν το πάνελ ελέγχου της θερμοκρασίας βρίσκεται σε κατάσταση κλειδώματος, πρέπει να πατηθεί για αρκετή ώρα το κλειδί ρύθμισης θερμοκρασίας για 3 δευτερόλεπτα για να ξεκλειδωθεί το πάνελ, όλα τα LED θα αναβοσβήσουν για 2 δευτερόλεπτα όταν το πάνελ είναι ξεκλειδωτό. Όταν το πάνελ ελέγχου θερμοκρασίας βρίσκεται σε κατάσταση ξεκλειδώματος, αν δεν υπάρχει κάποια ενέργεια στο πάνελ ελέγχου μέσα σε 15 δευτερόλεπτα, θα μπει σε κατάσταση κλειδώματος αυτόματος.

### 6) Αμορτισέρ ρυθμιστή κύλισης



Η αρχική θέση του αμορτισέρ ρυθμιστή κύλισης βρίσκεται στο άκρο της δεξιάς πλευράς. Προτείνεται να παραμείνει σταθερός. Αν το μετακινήσετε προς τα αριστερά, η θερμοκρασία του ψυγείου θα αυξηθεί.

## 4. Συντήρηση και φροντίδα του ψυγείου

### 4.1 Συνολικός καθαρισμός

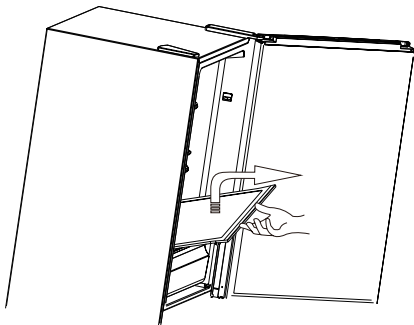
- Οι σκόνης πίσω από το ψυγείο και στο έδαφος πρέπει να καθαρίζονται έγκαιρα για να βελτιωθεί το αποτέλεσμα ψύξης και η εξοικονόμηση ενέργειας.
- Ελέγχετε τακτικά το παρέμβυσμα της πόρτας για να βεβαιωθείτε ότι δεν υπάρχουν υπολείμματα. Καθαρίστε τη φλάντζα της πόρτας με ένα μαλακό πανί, διαβρεγμένο με σαπουνόνερο ή με αραιωμένο απορρυπαντικό.
- Το εσωτερικό του ψυγείου θα πρέπει να καθαρίζεται τακτικά για να αποφευχθεί η οσμή.
- Απενεργοποιήστε την παροχή ρεύματος πριν καθαρίσετε το εσωτερικό, αφαιρέστε όλα τα τρόφιμα, ποτά, ράφια, συρτάρια κλπ.
- Χρησιμοποιήστε ένα μαλακό πανί ή σφουγγάρι για να καθαρίσετε το εσωτερικό του ψυγείου, με δύο κουταλιές της σούπας ψησίματος και ένα τετράγωνο ζεστό νερό. Κατόπιν ξεπλύνετε με νερό και καθαρίστε. Μετά τον καθαρισμό, ανοίξτε την πόρτα και αφήστε την να στεγνώσει φυσικά πριν ενεργοποιήσετε την τροφοδοσία.
- Για περιοχές που είναι δύσκολο να καθαριστούν στο ψυγείο (όπως στενά σάντουιτς, κενά ή γωνίες), συνιστάται να τα σκουπίζετε τακτικά με ένα μαλακό πανί, μαλακή βούρτσα κλπ. Και όταν χρειάζεται, σε συνδυασμό με ορισμένα βοηθητικά εργαλεία (όπως λεπτές ραβδώσεις) για να διασφαλιστεί ότι δεν συσσωρεύονται μολυσματικές ή βακτηριακές ουσίες σε αυτές τις περιοχές.
- Μην χρησιμοποιείτε σαπούνι, απορρυπαντικό, σκόνη καθαρισμού, καθαριστικό ψεκασμού κλπ., καθώς αυτά μπορεί να προκαλέσουν οσμές στο εσωτερικό του ψυγείου ή την μολυσμένων τροφίμων.
- Καθαρίστε το πλαίσιο της φιάλης, τα ράφια και τα συρτάρια με ένα μαλακό πανί που έχει διαβραχεί με σαπουνόνερο ή αραιωμένο απορρυπαντικό. Στεγνώστε με ένα μαλακό πανί ή στεγνώστε φυσικά.
- Σκουπίστε την εξωτερική επιφάνεια του ψυγείου με ένα μαλακό πανί, βρεγμένο με σαπουνόνερο, απορρυπαντικό κ.λπ., και στη συνέχεια σκουπίστε.
- Μη χρησιμοποιείτε σκληρές βούρτσες, καθαρές χαλύβιδιες μπάλες, συμπίετες βούρτσες, λειαντικά (όπως οδοντόκρεμες), οργανικούς διαλύτες (όπως αλκοόλη, ακετόνη, λάδι μπανάνας κ.λπ.), βραστό νερό, όξινα ή αλκαλικά αντικείμενα που μπορεί να βλάψουν την επιφάνεια του ψυγείου και το εσωτερικό. Το βραστό νερό και οι οργανικοί διαλύτες όπως το βενζόλιο μπορεί να παραμορφώσουν ή να βλάψουν τα πλαστικά μέρη.
- Μην ξεπλύνετε απευθείας με νερό ή άλλα υγρά κατά τη διάρκεια του καθαρισμού, για να αποφύγετε βραχυκύκλωμα ή να επηρεάσετε την ηλεκτρική μόνωση μετά την βύθιση.



⚠️ Αποσυνδέστε το ψυγείο από την πρίζα για απόψυξη και καθαρισμό.

### 4.2 Καθαρισμός του δίσκου πόρτας

- Σηκώστε το πάνω μέρος του γυάλινου ραφιού, και στη συνέχεια τραβήξτε το,
- Αφαιρέστε το γυάλινο ράφι και καθαρίστε όπως απαιτείται.
- Η αντίστροφη λειτουργία είναι για την εγκατάσταση γυάλινου ραφιού.



### 4.3 Απόψυξη

- Το ψυγείο είναι κατασκευασμένο με βάση την αρχή της ψύξης του αέρα και συνεπώς διαθέτει αυτόματα λειτουργία απόψυξης. Ο παγετός που σχηματίζεται λόγω αλλαγής της εποχής ή της θερμοκρασίας μπορεί επίσης να αφαιρεθεί με το χέρι αποσυνδέοντας τη συσκευή από την τροφοδοσία ρεύματος ή σκουπίζοντας με μια στεγνή πετσέτα.

### 4.4 Χωρίς λειτουργία

- Διακοπή ρεύματος: Σε περίπτωση διακοπής ρεύματος, ακόμα κι αν είναι το καλοκαίρι, τα τρόφιμα μέσα στη συσκευή μπορούν να διατηρηθούν για αρκετές ώρες, κατά τη διάρκεια της διακοπής ρεύματος, οι χρόνοι ανοίγματος της πόρτας πρέπει να μειωθούν και να μην τοποθετηθούν φρέσκα τρόφιμα στη συσκευή.
- Μακρόχρονη μη χρήση: Η συσκευή αποσυνδέεται και στη συνέχεια καθαρίζεται. τότε οι πόρτες παραμένουν ανοικτές για να αποτρέψουν την οσμή.
- Κίνηση: Πριν μετακινήσετε το ψυγείο, βγάλτε όλα τα αντικείμενα προς τα έξω, στερεώστε τα τοίχωμα γυαλιού, τη θήκη λαχανικών, τα συρτάρια θαλάμου κατάψυξης κλπ. Με ταινία και σφίξτε τα πόδια οριζοντίωσης. κλείστε τις πόρτες και στερεώστε τις με ταινία. Κατά τη μετακίνηση, η συσκευή δεν πρέπει να τοποθετείται ανάποδα ή οριζόντια ή να δονείται. η κλίση κατά τη διάρκεια της κίνησης δεν πρέπει να υπερβαίνει τους 45 °.



Η συσκευή πρέπει να λειτουργεί συνεχώς μόλις ξεκινήσει. Γενικά, η λειτουργία της συσκευής δεν διακόπτεται. διαφορετικά η διάρκεια ζωής μπορεί να είναι μειωμένη

## 5 Επίλυση προβλημάτων

Μπορεί να προσπαθήσετε να λύσετε μόνοι σας τα παρακάτω απλά προβλήματα. Εάν δεν μπορούν να επιλυθούν, επικοινωνήστε με το τμήμα εξυπηρέτησης πελατών.

Αποτυχημένη λειτουργία	Ελέγξτε εάν η συσκευή είναι συνδεδεμένη με το ρεύμα ή εάν το βύσμα βρίσκεται σε καλή επαφή. Ελέγξτε εάν η τάση είναι πολύ χαμηλή. Ελέγξτε εάν υπάρχει διακοπή ρεύματος ή εάν επί μέρους κυκλώματα έχουν βραχυκυκλώσει.
Μυρωδιά	Τρόφιμα με έντονη οσμή πρέπει να περιτυλιγονται σφιχτά. Ελέγξτε εάν υπάρχει κάποιο σαπισμένο τρόφιμο. Ελέγξτε το εσωτερικό του ψυγείου.
Μακροχρόνια λειτουργία του συμπιεστή	Η μακρόχρονη λειτουργία του ψυγείου είναι φυσιολογική το καλοκαίρι όταν η θερμοκρασία περιβάλλοντος είναι υψηλή. Δεν προτείνεται να έχετε πολλά τρόφιμα στη συσκευή ταυτόχρονα. Το φαγητό θα πρέπει να έχει κρυώσει πριν τοποθετηθεί μέσα στη συσκευή. Οι πόρτες ανοίγουν πολύ συχνά.
Το φως δεν ανάβει	Ελέγξτε εάν το ψυγείο είναι συνδεδεμένο στην παροχή ρεύματος ή εάν έχει καεί η λάμπα.
Οι πόρτες δεν μπορούν να κλείσουν σωστά	Η πόρτα έχει φρακάρει από συσκευασίες τροφίμων. Το ψυγείο έχει πάρει κλίση.
Δυνατός θόρυβος	Ελέγξτε εάν το δάπεδο είναι επίπεδο ή εάν το ψυγείο έχει τοποθετηθεί σταθερά. Ελέγξτε εάν τα εξαρτήματα έχουν τοποθετηθεί στην κατάλληλη θέση.
Η σφράγιση της πόρτας δεν είναι σφιγμένη	Απομακρύνετε τα ξένα σώματα λάστιχο στεγανοποίησης της πόρτας. Ζεστάνετε το σφάγισμα της πόρτας και μετά κρυώστε το για αποκατάσταση (ή φυσήξτε το με ένα ηλεκτρικό σεσουάρ ή χρησιμοποιήστε μια καυτή πετσέτα για θέρμανση).
Το δοχείο νερού υπερχειλίζει	Υπάρχει πάρα πολύ φαγητό στο θάλαμο ή τα τρόφιμα που αποθηκεύονται περιέχουν πάρα πολύ νερό, με αποτέλεσμα βαριά απόψυξη. Οι πόρτες δεν έχουν κλείσει σωστά, με αποτέλεσμα την δημιουργία πάγου λόγω εισόδου αέρα και αυξημένου νερού λόγω απόψυξης.
Θερμή στέγαση	Απορρόφηση θερμότητας του ενσωματωμένου συμπυκνωτή μέσω του περιβλήματος, η οποία είναι φυσιολογική. Όταν το περιβλήμα γίνει καυτό χάρη στην υψηλή ατμοσφαιρική θερμοκρασία, η αποθήκευση υπερβολικού φαγητού ή η διακοπή του συμπιεστή θα απενεργοποιηθεί, παρέχοντας έναν ήχο εξαιρισμού για να διευκολύνει την απαγωγή θερμότητας.
Συμπύκνωση επιφάνειας	Η συμπύκνωση της εξωτερικής επιφάνειας και των στεγανών θυρών του ψυγείου είναι φυσιολογική όταν η υγρασία περιβάλλοντος είναι πολύ υψηλή. Απλά σκουπίστε το συμπύκνωμα με καθαρή πετσέτα.
Ασυνήθιστος θόρυβος	Βόμβος: Ο συμπιεστής μπορεί να παράγει buzzes κατά τη λειτουργία, και τα buzzes είναι δυνατά ιδιαίτερα κατά την εκκίνηση ή τη διακοπή. Αυτό είναι φυσιολογικό. Τρίξιμο: Το ψυκτικό που ρέει μέσα στη συσκευή μπορεί να προκαλέσει σκασίματα, κάτι που είναι φυσιολογικό.

Πίνακας 1 Κλιματική κλάση

Κλάση:	Σύμβολο	Εύρος θερμοκρασίας περιβάλλοντος °C
Εκτεταμένο εύκρατο	SN	+ 10 μέχρι + 32
Εύκρατο	N	+ 16 μέχρι + 32
Υποτροπικό	ST	+ 16 μέχρι + 38
Τροπικό	T	+ 16 μέχρι + 43

Εκτεταμένη εύκρατη: «Αυτή η ψυκτική συσκευή προορίζεται να χρησιμοποιηθεί σε θερμοκρασίες περιβάλλοντος

από 10 ° C έως 32 ° C »·

εύκρατο: «Αυτή η ψυκτική συσκευή προορίζεται να χρησιμοποιηθεί σε θερμοκρασίες περιβάλλοντος που κυμαίνονται

από 16 ° C έως 32 ° C »·

Υποτροπική: «Αυτή η ψυκτική συσκευή προορίζεται να χρησιμοποιηθεί σε θερμοκρασίες περιβάλλοντος που κυμαίνονται

από 16 ° C έως 38 ° C ·

Τροπική: «Αυτή η ψυκτική συσκευή προορίζεται να χρησιμοποιηθεί σε θερμοκρασίες περιβάλλοντος που κυμαίνονται

από 16 ° C έως 43 ° C

Τα παραγγελθέντα μέρη στον παρακάτω πίνακα μπορούν να ληφθούν από το κανάλι XX:

Παραγγελθέν μέρος	Προμηθευθέν από	Ελάχιστος χρόνος που απαιτείται για την προμήθεια
θερμοστάτες	Επαγγελματικό προσωπικό συντήρησης	Τουλάχιστον 7 έτη αφού το τελευταίο μοντέλο προβλήθηκε στην αγορά
αισθητήρες θερμοκρασίας	Επαγγελματικό προσωπικό συντήρησης	Τουλάχιστον 7 έτη αφού το τελευταίο μοντέλο προβλήθηκε στην αγορά
πλακέτες τυπωμένων κυκλωμάτων	Επαγγελματικό προσωπικό συντήρησης	Τουλάχιστον 7 έτη αφού το τελευταίο μοντέλο προβλήθηκε στην αγορά
πηγές φωτός	Επαγγελματικό προσωπικό συντήρησης	Τουλάχιστον 7 έτη αφού το τελευταίο μοντέλο προβλήθηκε στην αγορά
χειρολαβές πόρτας	Επαγγελματίες ή επισκευαστές και τελικοί χρήστες	Τουλάχιστον 7 έτη αφού το τελευταίο μοντέλο προβλήθηκε στην αγορά
μεντεσέδες πόρτας	Επαγγελματίες ή επισκευαστές και τελικοί χρήστες	Τουλάχιστον 7 έτη αφού το τελευταίο μοντέλο προβλήθηκε στην αγορά
δίσκοι	Επαγγελματίες ή επισκευαστές και τελικοί χρήστες	Τουλάχιστον 7 έτη αφού το τελευταίο μοντέλο προβλήθηκε στην αγορά
καλάθια	Επαγγελματίες ή επισκευαστές και τελικοί χρήστες	Τουλάχιστον 7 έτη αφού το τελευταίο μοντέλο προβλήθηκε στην αγορά
περιβλήματα πόρτας	Επαγγελματίες ή επισκευαστές και τελικοί χρήστες	Τουλάχιστον 10 έτη αφού το τελευταίο μοντέλο προβλήθηκε στην αγορά

Αγαπητέ καταναλωτή

1. Εάν επιθυμείτε να επιστρέψετε ή να αντικαταστήσετε το προϊόν, επικοινωνήστε με το κατάστημα από όπου το αγοράσατε.

(Θυμηθείτε να φέρετε μαζί σας την απόδειξη πληρωμής)

2. Εάν το προϊόν σας χαλάσει και πρέπει να επισκευαστεί, επικοινωνήστε με τον πάροχο υπηρεσιών μετά την πώληση.

Τηλέφωνο:

Διεύθυνση ηλεκτρονικού ταχυδρομείου:

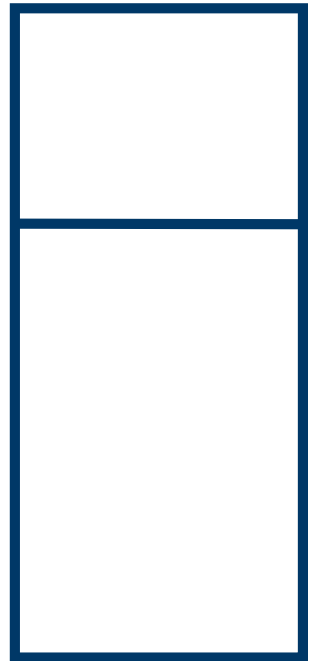


## MANUALE D'ISTRUZIONI

### FRIGORIFERO Congelatore in alto



**Avvertimento:**  
Prima di utilizzare questo prodotto, si prega di leggere attentamente questo manuale e conservarlo per riferimento futuro. Il design e le specifiche sono soggetti a modifiche senza preavviso per il prodotto miglioramento. Consulta il tuo rivenditore o produttore per dettagli.



**MODEL: MDRT489MTE  
SERIES**

[www.midea.com](http://www.midea.com)



## CONTENUTI

1 Avvertenze per la sicurezza	
1.1 Avvertenze.....	1-2
1.2 Significati dei simboli di avvertenza per la sicurezza.....	3
1.3 Avvertenze sull'elettricità .....	3
1.4 Avvertenze per l'utilizzo .....	4
1.5 Avvertenze per il posizionamento degli oggetti .....	4-5
1.6 Avvertenze per l'energia .....	5
1.7 Avvertenze per lo smaltimento .....	5
2 Uso corretto del frigorifero	
2.1 Posizionamento .....	6
2.2 Livellamento piedi.....	7
2.3 Cambio del lato di apertura .....	7-10
2.4 Livellamento piedi.....	10
2.5 Inizio .....	11
2.6 Suggerimenti per il risparmio energetico.....	11
3 Strutture e funzioni	
3.1 Componenti chiave.....	12
3.2 Funzioni .....	13
4 Manutenzione e cura dell'apparecchio	
4.1 Pulizia generale .....	14
4.2 Pulizia del vassoio della porta .....	14
4.3 Scongelo.....	15
4.4 Fuori servizio .....	15
5 Risoluzione dei problemi .....	16
6 Parametri .....	17

## 1. AVVERTENZE DI SICUREZZA



**Attenzione**: rischio di incendio /materiali infiammabili

**QUESTO** apparecchio è destinato ad essere utilizzato in applicazioni domestiche e simili come le aree cucina del personale in negozi, uffici e altri ambienti di lavoro; case agricole e da clienti in hotel, motel e altri ambienti di tipo residenziale; ambienti di tipo bed and breakfast; catering e applicazioni simili non al dettaglio.

**QUESTO** apparecchio non è destinato all'uso da parte di persone (compresi i bambini) con capacità fisiche, sensoriali o mentali ridotte, o mancanza di esperienza e conoscenza, a meno che non sia stata data a loro supervisione o istruzioni sull'uso dell'apparecchio da parte di una persona responsabile della loro sicurezza.)

**I** bambini devono essere costantemente sorvegliati per assicurarsi che non giochino con l'apparecchio (si

**Se** il cavo di alimentazione è danneggiato, deve essere sostituito dal produttore, dal suo agente di servizio o da personale qualificato allo stesso modo al fine di evitare pericoli.

Non conservare sostanze esplosive come bomboletta aerosol con un propellente infiammabile in questo apparecchio.

**L'apparecchio** deve essere scollegato dopo l'uso e prima di eseguire la manutenzione dell'utente sull'apparecchio.

**ATTENZIONE**: Tenere i fori di ventilazione nell'alloggiamento dell'apparecchiatura o nella struttura incorporata privi di ostruzioni.

**ATTENZIONE**: Ad eccezione dei metodi consigliati dal produttore, non utilizzare dispositivi meccanici o altri metodi per accelerare il processo di sbrinamento.

**ATTENZIONE**: Non danneggiare il circuito del refrigerante.

**ATTENZIONE**: Non utilizzare apparecchi nei locali di conservazione degli alimenti a meno che non siano del tipo consigliato dal produttore.

**ATTENZIONE**: Smaltire il frigorifero in conformità con le normative dell'agenzia di regolamentazione locale, poiché utilizza aria e refrigerante infiammabili.

**ATTENZIONE**: Quando si posiziona il dispositivo, assicurarsi che il cavo di alimentazione non sia schiacciato o danneggiato.

**ATTENZIONE**: Non collocare più prese portatili o alimentatori portatili sul retro del dispositivo.

**Non** utilizzare prolunghe o adattatori incagliati (due prong).

**PERICOLO**: Rischio di intrappolamento dei bambini. Prima di buttare via il tuo vecchio frigorifero o congelatore:

- Togliete le porte.

-Mettere la mensola in un luogo adatto in modo che i bambini non si arrampichino facilmente.

Il frigorifero deve essere scollegato dalla fonte di alimentazione elettrica prima di tentare l'installazione dell'accessorio.

**Il** refrigerante e il materiale espansore ciclopentano utilizzati per l'apparecchio sono infiammabili

Pertanto, quando viene rottamato, deve essere tenuto lontano dalla fonte del fuoco e riciclato da una società di riciclaggio specializzata con qualifiche corrispondenti. Nessun trattamento di combustione è consentito per evitare danni all'ambiente o altri danni.

**Per** la norma EN: I bambini di età pari o superiore a 8 anni e le persone con capacità fisiche o mentali ridotte o con mancanza di esperienza e conoscenza possono utilizzare questa apparecchiatura, a condizione che abbiano ricevuto supervisione o guida sull'uso sicuro di questa apparecchiatura e comprendano i pericoli coinvolti. I bambini non devono giocare con l'apparecchio. La pulizia e la manutenzione dell'utente non devono essere eseguite da bambini senza supervisione. I bambini dai 3 agli 8 anni possono caricare e scaricare le apparecchiature di refrigerazione.

**È** necessario che per porte o coperchi dotati di serrature e chiavi, le chiavi siano tenute fuori dalla portata dei bambini e non in prossimità dell'apparecchio frigorifero, al fine di evitare che i bambini rimangano chiusi all'interno.

**Per** evitare la contaminazione degli alimenti, si prega di rispettare le seguenti istruzioni:




- L'apertura della porta per lunghi periodi può causare un aumento significativo della temperatura nei compartimenti dell'apparecchio.
- Pulire regolarmente le superfici che possono venire a contatto con alimenti e sistemi di drenaggio.
- Pulire i serbatoi di acqua pulita se non sono stati utilizzati per 48 ore; sciacquare il sistema idrico collegato all'acqua non è stato bagnato per 5 giorni. (nota 1)
- Conservare carne cruda e pesce in contenitori adatti in frigorifero, in modo che non sia in contatto o goccioli su altri alimenti.
- I compartimenti per alimenti surgelati a due stelle sono adatti per conservare cibi pre surgelati, conservare o fare gelati e fare cubetti di ghiaccio. (nota 2)
- I compartimenti a una, due e tre stelle non sono adatti per il congelamento di alimenti freschi. (nota 3).
- Se l'apparecchio di refrigerazione viene lasciato vuoto per lunghi periodi, spegnere, scongelare, pulire, asciugare e lasciare la porta aperta per evitare lo sviluppo di muffe all'interno dell'apparecchio.
- Per elettrodomestici senza vano a 4 stelle: questo apparecchio frigorifero non è adatto per congelare i prodotti alimentari. (nota 4)

Nota 1,2,3,4: Si prega di confermare se è applicabile in base al tipo di compartimento del prodotto.

**PER** un apparecchio indipendente: questo apparecchio di refrigerazione non è destinato ad essere utilizzato come accessorio incorporato.

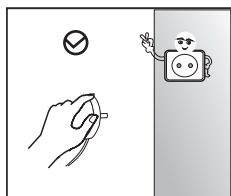
**Qualsiasi** sostituzione o manutenzione delle lampade a LED è destinata ad essere effettuata dal produttore, dal suo agente di servizio o da una persona qualificata simile.

## 1.2 Significato dei simboli di avvertenza per la sicurezza

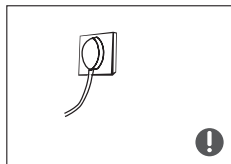
	Questo è un simbolo di divieto. Qualsiasi inosservanza delle istruzioni contrassegnate da questo simbolo può provocare danni al prodotto o mettere in pericolo la sicurezza personale dell'utente.
	Questo è un simbolo di avvertenza. È necessario operare in stretta osservanza delle istruzioni contrassegnate da questo simbolo; o altrimenti si potrebbero causare danni al prodotto o lesioni personali.
	Questo è un simbolo di avvertenza. Le istruzioni contrassegnate con questo simbolo richiedono particolare cautela. Insufficiente cautela può causare lesioni lievi o moderate, o danni al prodotto.

Questo manuale contiene molte importanti informazioni sulla sicurezza che vengono osservate dagli utenti.

## 1.3 Avvertenze sull'elettricità



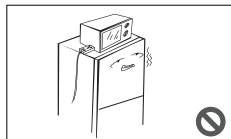
- Non tirate il cavo di alimentazione quando si estrae la spina del frigorifero. Afferrate saldamente la spina ed estratela direttamente dalla presa.
- Per garantire un utilizzo sicuro, non danneggiate il cavo di alimentazione o utilizzate il cavo di alimentazione quando è danneggiato o usurato.



- Utilizzate una presa di corrente dedicata e la presa di corrente non deve essere condivisa con altri apparecchi elettrici. La spina di alimentazione deve essere saldamente a contatto con la presa, altrimenti potrebbero verificarsi incendi.
- Assicuratevi che l'elettrodo di messa a terra della presa di corrente sia dotato di una linea di messa a terra affidabile.

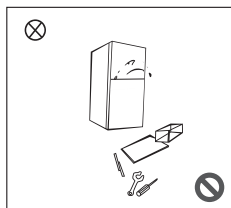


- Chiudete la valvola del gas che fuoriesce e quindi aprire le porte e le finestre in caso di perdita di gas e altri gas infiammabili. Non scollegate il frigorifero e altri apparecchi elettrici poiché la scintilla potrebbe causare un incendio.

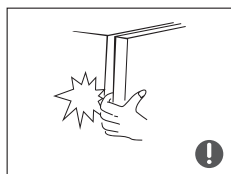


- Non utilizzate apparecchi elettrici sulla parte superiore dell'apparecchio, a meno che non siano del tipo consigliato dal produttore.

## 1.4 Avvertenze per l'utilizzo



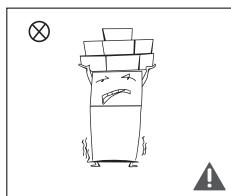
- Non smontare o ricostruire arbitrariamente il frigorifero, né danneggiare il circuito refrigerante; la manutenzione dell'apparecchio deve essere effettuata da uno specialista
- Il cavo di alimentazione danneggiato deve essere sostituito dal produttore, dal suo reparto di manutenzione o da professionisti correlati per evitare pericoli.



- Gli spazi tra le porte del frigorifero e tra le porte e il corpo del frigorifero sono piccoli, fate attenzione a non mettere la mano in queste aree per evitare di schiacciare il dito. Siate gentili quando si chiude la porta del frigorifero per evitare la caduta di articoli.
- Non raccogliete cibi o contenitori con le mani bagnate nella camera di congelamento con il frigorifero in funzione, in particolare contenitori di metallo per evitare il congelamento.

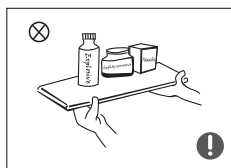


- Non permettete a nessun bambino di entrare o arrampicarsi nel frigorifero; in caso contrario si possono provocare soffocamento o lesioni da caduta del bambino.

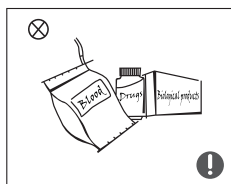


- Non posizionate gli oggetti pesanti sulla parte superiore del frigorifero poiché potrebbero cadere quando si chiude o si apre la porta e si potrebbero causare lesioni accidentali.
- Staccate la spina in caso di interruzione di corrente o pulizia. Non collegare il frigorifero all'alimentazione nei successivi cinque minuti per evitare danni al compressore dovuti a avviamenti successivi.

## 1.5 Avvertenze per il posizionamento degli oggetti



- Non mettete oggetti infiammabili, esplosivi, volatili e altamente corrosivi nel frigorifero per evitare danni al prodotto o incendi.
- Non posizionate oggetti infiammabili vicino al frigorifero per evitare incendi.



- Il frigorifero è destinato all'uso domestico, come la conservazione di alimenti; non deve essere utilizzato per altri scopi, come la conservazione di sangue, farmaci o prodotti biologici, ecc.



- Non depositare birre, bevande o altri liquidi in bottiglie o contenitori chiusi nella cella freezer del frigorifero; altrimenti le bottiglie o i contenitori chiusi potrebbero spaccarsi a causa del refrigeramento e causare danni.

## 1.6 Avvertenze per l'energia

Avvertenza per l'energia

- 1) Gli apparecchi frigoriferi potrebbero non funzionare in modo corretto (è possibile che lo sbrinamento del contenuto o che la temperatura diventi troppo calda nel compartimento degli alimenti surgelati) se vengono lasciati per un lungo periodo di tempo al di sotto della temperatura minima per la quale è progettato il frigorifero.
- 2) Le bevande effervescenti non devono essere conservate in compartimenti o armadi per congelatori alimentari o in compartimenti o armadi a bassa temperatura e alcuni prodotti come l'acqua ghiacciata non dovrebbero essere consumati troppo freddi.
- 3) Non superare i tempi di conservazione raccomandati dal produttore di alimenti per qualsiasi tipo di alimento e in particolare per alimenti surgelati commerciali negli scomparti o armadietti sia di refrigerazione che congelamento per la conservazione di alimenti;
- 4) Precauzioni necessarie per evitare un aumento indebito della temperatura degli alimenti surgelati mentre si scongela l'apparecchio frigoriferi come avvolgere il cibo congelato in diversi strati di giornale.
- 5) Un aumento della temperatura degli alimenti surgelati durante lo sbrinamento manuale, la manutenzione o la pulizia potrebbe ridurre la durata di conservazione.
- 6) Per quanto riguarda le porte o coperchi muniti di serrature e chiavi, le chiavi devono essere tenute fuori dalla portata dei bambini e non in prossimità del frigorifero, al fine di evitare che i bambini vengano chiusi da soli all'interno.

## 1.7 Avvertenze per lo smaltimento

Il refrigerante e il materiale schiumogeno ciclopentano utilizzato per il frigorifero sono infiammabili. Pertanto, quando il frigorifero viene demolito, esso deve essere tenuto lontano da qualsiasi fonte di incendio ed essere recuperato da una speciale società di recupero con qualifiche corrispondenti diverse da quelle che possono essere smaltito per combustione, in modo da evitare danni all'ambiente o qualsiasi altro danno.

Quando il frigorifero è demolito, smontate le porte e rimuovete la guarnizione della porta e dei ripiani; riponete le porte e le mensole in una posizione adeguata, in modo da evitare di intrappolare eventuali bambini.

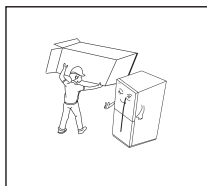


Smaltimento corretto di questo prodotto:

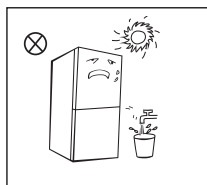
Questa marcatura indica che questo prodotto non deve essere smaltito con altri rifiuti domestici in tutta l'UE. Per prevenire possibili danni all'ambiente o alla salute umana derivanti dallo smaltimento incontrollato dei rifiuti, riciclateli in modo responsabile per promuovere il riutilizzo sostenibile delle risorse materiali. Per restituire il vostro dispositivo usato, utilizzate i sistemi di restituzione e ritiro o contattate il rivenditore presso il quale è stato acquistato il prodotto. Possono prendere questo prodotto per il riciclaggio sicuro per l'ambiente.

## 2 Uso corretto dei frigoriferi

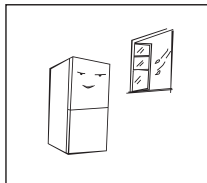
### 2.1 Posizionamento



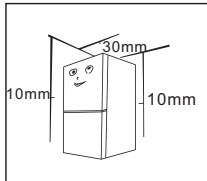
- Prima dell'uso, rimuovere tutto il materiale di imballaggio, inclusi i cuscini del fondo, i cuscinetti in schiuma e i nastri all'interno del frigorifero; strappate la pellicola protettiva sulle porte e sul frigorifero.



- Tenete lontano dal caldo ed evitate la luce solare diretta. Non posizionate il congelatore in posto umido o acquoso per prevenire la ruggine o la riduzione dell'effetto isolante.
- Non lavate o spruzzate il frigorifero; non mettete il frigorifero in luoghi umidi e facili da spruzzare con l'acqua per non influenzare le proprietà di isolamento elettrico del frigorifero.



- Il frigorifero deve essere posto in un luogo interno ben ventilato; il terreno deve essere piatto e robusto (ruotare a sinistra o a destra per regolare la ruota per livellare se instabile).



- Lo spazio superiore al frigorifero deve essere maggiore di 30 cm e il frigorifero deve essere posizionato contro la parete con una distanza libera superiore a 10 cm per facilitare la dissipazione del calore.



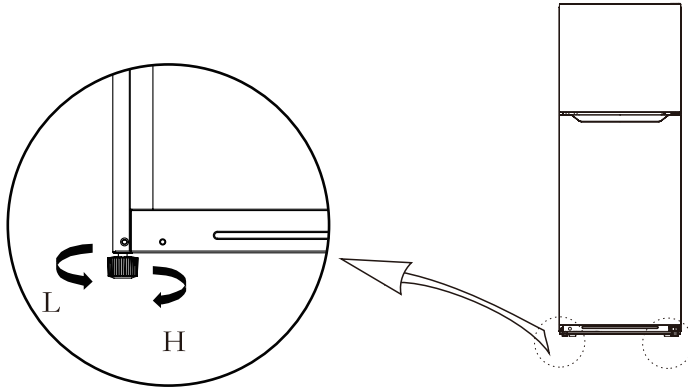
Precauzioni prima dell'installazione:

Prima dell'installazione o della regolazione degli accessori, assicurarsi che il frigorifero sia scollegato dall'alimentazione elettrica.

Devono essere prese precauzioni per evitare la caduta della maniglia, in modo tale che nessuna lesione accidentale venga provocata.

## 2.2 Livellamento piedi

Schema illustrativo dei piedini di livellamento


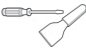




(L'immagine sopra è solo per riferimento. La configurazione attuale dipenderà dal prodotto fisico o dalla dichiarazione del distributore)

Adeguamento delle procedure:

- Girare i piedi in senso orario per sollevare il frigorifero;
- Girare i piedi in senso antiorario per abbassare il frigorifero;
- Regolare i piedini destro e sinistro in base alle procedure precedenti a un livello orizzontale.

## 2.3 Cambio del lato di apertura

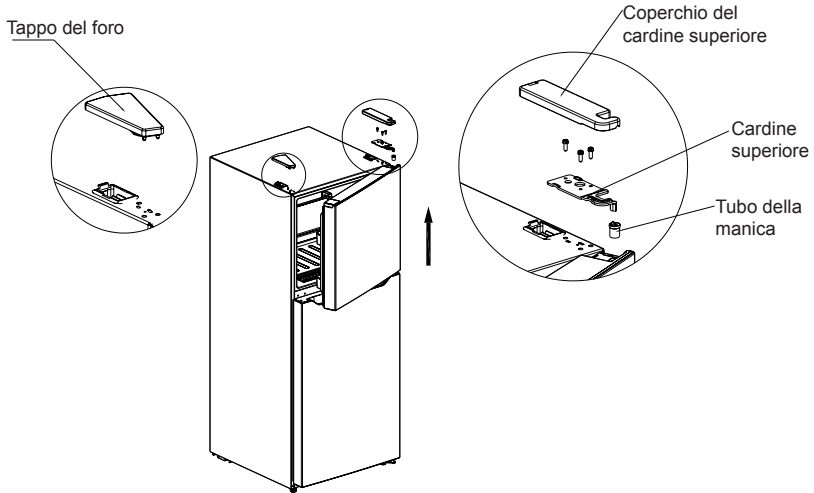
Elenco degli strumenti che l'utente deve fornire			
	Cacciavite a croce		Cacciavite a lama sottile e spatola
	Chiave a bussola e cricchetto 5/16"		Nastro adesivo

Parti da utilizzare per il cambio del lato di apertura della porta			
Numero	Nome	Numero	Nota
1	Cardine superiore destro	1	Preinstallato sul frigorifero, rimosso quando è stato cambiato il lato dell'apertura della porta. Conservarlo per un utilizzo futuro.
2	Coperchio del cardine superiore destro	1	Preinstallato sul frigorifero, rimosso quando è stato cambiato il lato dell'apertura della porta. Conservarlo per un utilizzo futuro.
3	Tappo foro	1	Viene pre-installato sul frigorifero, verrà ancora utilizzato durante il cambio del lato di apertura della porta
4	Fermo	1	Viene pre-installato sul frigorifero, verrà ancora utilizzato durante il cambio del lato di apertura della porta
5	Fermo del cardine inferiore	1	Viene pre-installato sul frigorifero, verrà ancora utilizzato durante il cambio del lato di apertura della porta
6	Piedini di livellamento	1	Viene pre-installato sul frigorifero, verrà ancora utilizzato durante il cambio del lato di apertura della porta
7	Tappo del coperchio sinistro	1	Preinstallato sul congelatore, si usa quando è stato cambiato il lato dell'apertura della porta
8	Cardine superiore sinistra	1	Si trova nella busta di plastica allegata, prenderlo per cambiare il lato dell'apertura della porta.
9	Coperchio del cardine superiore sinistro	1	Si trova nella busta di plastica allegata, prenderlo per cambiare il lato dell'apertura della porta.
10	Tappo del coperchio destro	1	Si trova nella busta di plastica allegata, prenderlo per cambiare il lato dell'apertura della porta.

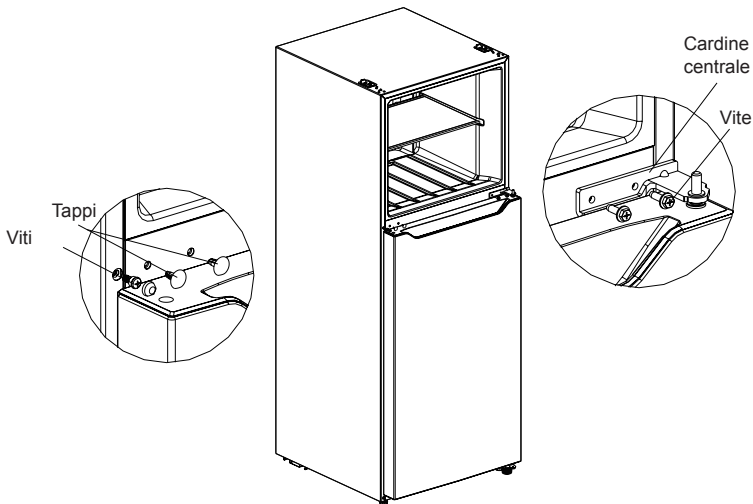


1) Spegnerre questo apparecchio prima di eseguire questa operazione. Rimuovere tutti gli alimenti dai ripiani della porta.

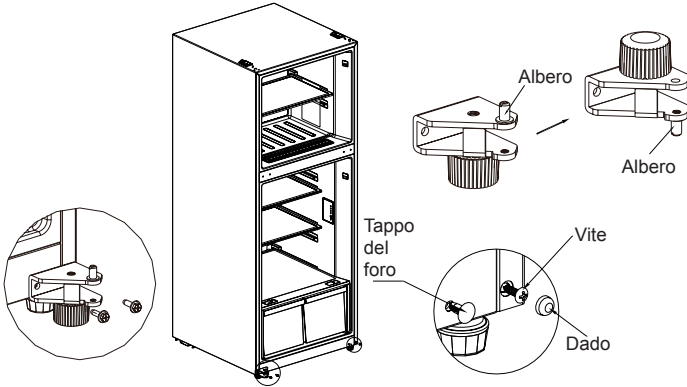
2) Rimuovere il tappo del foro, il coperchio del cardine superiore, le viti di montaggio del cardine superiore, del cardine superiore e del tubo del manicotto, poi sollevare la porta del congelatore fino a separarla completamente dall'armadio.



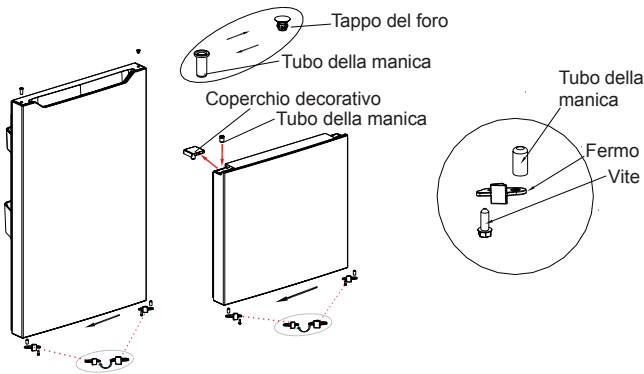
3) Rimuovere i tappi dei fori, le viti di montaggio del cardine centrale e del cardine centrale e **rimuovere le viti e i tappi delle viti sull'altro lato**, poi sollevare la porta del frigorifero finché non è completamente separata dall'armadio.



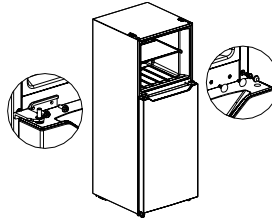
4) Disinstallare il gruppo cardine inferiore dall'angolo inferiore destro e rimuovere il tappo del foro, il tappo della vite dall'angolo inferiore sinistro; Smontare l'albero del cardine e il piedino regolabile e installarli sull'altro lato del cardine inferiore; quindi installare il gruppo cardine inferiore sull'angolo inferiore sinistro inserendo le viti e installare il tappo del foro e il tappo della vite nell'angolo inferiore destro.



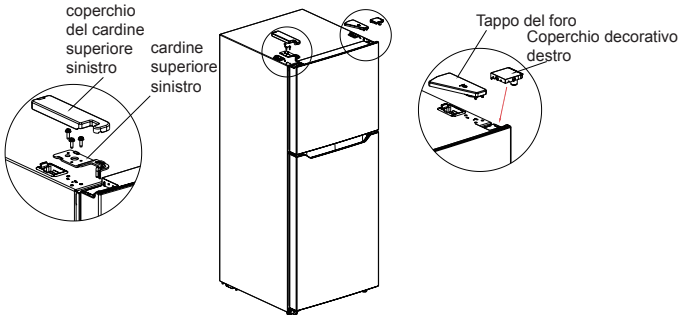
5) Smontare i fermi, i tubi del manicotto sia della porta del frigorifero che della porta del congelatore, installarli sull'altro lato di entrambe le porte; scambiare la posizione di installazione del tubo del manicotto con quella del tappo del foro sul tappo terminale superiore della porta del frigorifero; rimuovere il coperchio decorativo sinistro della porta del congelatore e spostare il tubo del manicotto



6) Installare la porta del comparto frigorifero sul cardine inferiore, quindi installare il cardine centrale, **le viti** e i tappi.



7) Estrarre il cardine superiore sinistro, il coperchio del cardine superiore sinistro e il coperchio decorativo destro dalla borsa degli accessori, installare la porta del congelatore sul cardine centrale e installare il cardine superiore sinistro, il coperchio del cardine sinistro e il tappo del foro. Infine, installare il coperchio decorativo destro sul lato destro del tappo terminale della porta del congelatore.

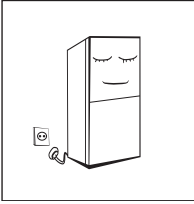


(L'immagine sopra è solo per riferimento. La configurazione effettiva dipenderà dal prodotto reale o dalla dichiarazione del distributore).

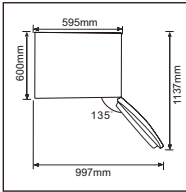
## 2.4 Cambiare la luce

Qualsiasi sostituzione o manutenzione delle lampade LED deve essere effettuata dal produttore, dal suo agente di servizio o da una persona qualificata simile.

## 2.5 Inizio



- Prima dell'avvio iniziale, mantenere fermo il frigorifero per due ore prima di collegarlo all'alimentazione elettrica.
- Prima di inserire alimenti freschi o congelati, il frigorifero deve aver funzionato per 2-3 ore, o per più di 4 ore in estate quando la temperatura ambiente è elevata.



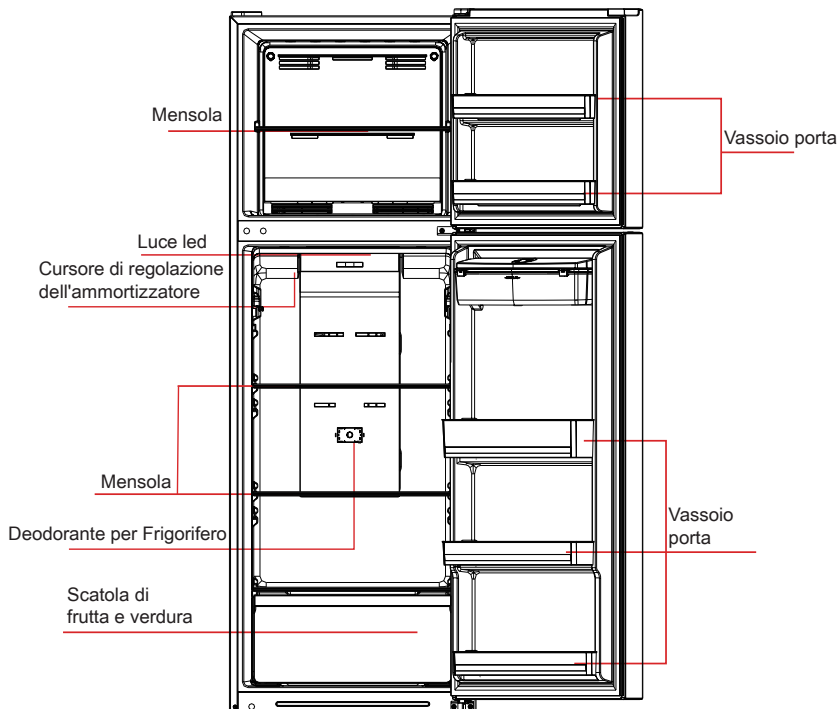
- Lasciare spazio sufficiente per una comoda apertura di ante e cassetti oppure seguire le dichiarazioni del distributore.

## 2.6 Suggerimenti per il risparmio energetico

- L'apparecchio deve essere posizionato nel postopiù fresco della stanza, lontano da apparecchi che producono calore o condotti di riscaldamento e lontano dalla luce solare diretta.
- Lasciate raffreddare i cibi caldi a temperatura ambiente prima di inserirli nell'apparecchio. Il sovraccarico dell'apparecchio costringe il compressore a funzionare più a lungo. Gli alimenti che si congelano troppo lentamente perderebbero qualità o deteriorarsi.
- Assicurarsi di avvolgere correttamente gli alimenti e asciugare i contenitori prima di inserirli nell'apparecchio, al fine di ridurre la formazione di brina all'interno dell'apparecchio.
- Il contenitore per la conservazione dell'apparecchio non deve essere rivestito con fogli di alluminio, carta oleata o carta assorbente. I rivestimenti interferiscono con la circolazione dell'aria fredda, rendendo l'apparecchiatura meno efficiente.
- Organizzate ed etichettate il cibo per ridurre le aperture delle porte e le ricerche estese. Prendere tutti gli articoli necessari allo stesso tempo e chiudere la porta il più presto possibile.

## 3 Strutture e funzioni

### 3.1 Componenti chiave



(L'immagine sopra è solo per riferimento. La configurazione effettiva dipenderà dal prodotto reale o dalla dichiarazione del distributore).

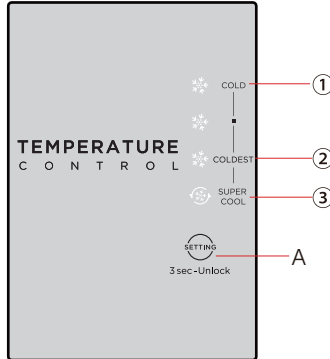
#### camera refrigerata

- La camera di refrigerazione è adatta per la conservazione di una varietà di frutta, verdura, bevande e altri alimenti da consumare entro breve periodo.
- Gli alimenti da cuocere non devono essere messi nella camera refrigerata fino a quando non si sono raffreddati a temperatura ambiente.
- Si consiglia di sigillare gli alimenti prima di metterli in frigorifero.
- I ripiani in vetro possono essere regolati verso l'alto o verso il basso per una quantità ragionevole di spazio di riservazione e un facile utilizzo.

#### Spazio di congelamento

- La camera di congelamento a bassa temperatura può mantenere gli alimenti freschi per lungo tempo ed è utilizzata principalmente per conservare cibi congelati e produrre ghiaccio.
- La camera di congelamento è adatta per la conservazione di carne, pesce, polpette di riso e altri alimenti da non consumare a breve termine.
- I pezzi di carne sono preferibilmente da dividere in piccoli pezzi per un facile accesso. Notate che il cibo deve essere consumato entro il tempo di conservazione.

## 3.2 Funzioni



(L'immagine sopra è solo per riferimento. La configurazione effettiva dipenderà dal prodotto reale o dalla dichiarazione del distributore).

1) Tasto

A. Tasto di impostazione della temperatura del comparto di refrigerazione

2) Display

① Impostazione 1: FREDDO

② Impostazione 2: •

③ Impostazione 3: PIU' FREDDO

④ Impostazione 4: SUPER FREDDO

3) Display

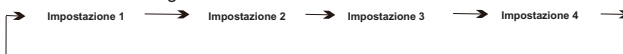
Quando il frigorifero viene collegato all'alimentazione per la prima volta, tutto il display si illumina per 3 secondi, poi il frigorifero funziona in base all'impostazione 3. In caso di guasto, il LED corrispondente lampeggia. In caso di assenza di guasti, viene mostrata la temperatura impostata del frigorifero.

Codice di errore	Descrizione dell'errore
Indicatore per Impostazione 1 e Impostazione 2	Sensore di temperatura del frigorifero
Indicatore per Impostazione 1 e Impostazione 3	Sensore di sbrinamento del congelatore
Indicatore per Impostazione 1 e Impostazione 4	Sensore di temperatura ambiente

4) Regolazione della temperatura

Ogni volta che si preme una volta il tasto di impostazione della temperatura A, la temperatura cambia una volta. Dopo che l'impostazione della temperatura è stata completata, il frigorifero funzionerà in base al valore impostato dopo 15 secondi.

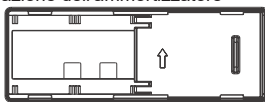
La successione dei livelli è la seguente:



5) Blocca/Sblocca

Quando il pannello di controllo della temperatura è in stato di blocco, è necessario premere a lungo il tasto di impostazione della temperatura per 3 secondi per sbloccare il pannello, tutti i LED lampeggeranno per 2 secondi quando il pannello è sbloccato. Quando il pannello di controllo della temperatura è nello stato di sblocco, se non ci sono operazioni sul pannello di controllo entro 15 secondi, entrerà automaticamente in stato di blocco.

6) Corsore di regolazione dell'ammortizzatore



FRIGORIFERO CON TEMPERATURA PI BASSA

La posizione iniziale del cursore di regolazione dell'ammortizzatore è sull'estremità destra. Si consiglia di non modificare la sua posizione. Se viene spostato a sinistra, la temperatura del frigorifero aumenterà.

## 4. Manutenzione e cura dell'apparecchio

### 4.1 Pulizia generale

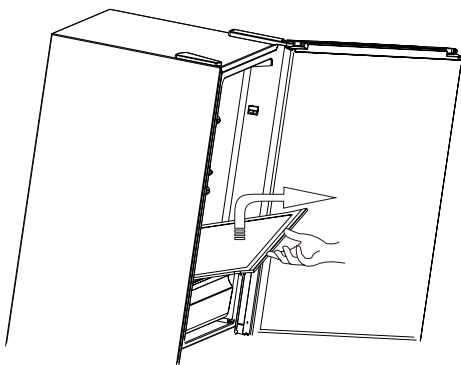
- Le polveri dietro il frigorifero e sul terreno devono essere pulite tempestivamente per migliorare l'effetto di raffreddamento e il risparmio energetico.
- Controllate regolarmente la guarnizione della porta per assicurarsi che non siano presenti detriti. Pulite la guarnizione della porta con un panno morbido inumidito con acqua saponosa o detergente diluito.
- L'interno del frigorifero deve essere pulito regolarmente per evitare l'odore.
- Spegnete l'alimentazione prima di pulire l'interno, rimuovet tutti gli alimenti, le bevande, i ripiani, i cassetti, ecc.
- Usate un panno morbido o una spugna per pulire l'interno del frigorifero, con due cucchiaini di bicarbonato di sodio e un litro di acqua tiepida. Poi risciacquate con acqua e pulire con un panno. Dopo la pulizia, aprite la porta e lasciatela asciugare naturalmente prima di accendere la corrente.
- Per le aree difficili da pulire in frigorifero (come panini stretti, spazi vuoti o angoli), si consiglia di pulirle regolarmente con stracci morbidi, spazzole morbide, ecc. e, se necessario, in combinazione con alcuni strumenti ausiliari (come bastoncini sottili) per prevenire l'accumulo di contaminanti o batteri in queste aree.
- Non utilizzate sapone, detersivo, polvere abrasiva, detergente spray, ecc., Poiché potrebbero causare odori all'interno del frigorifero o alimenti contaminati.
- Pulire il telaio della bottiglia, i ripiani e i cassetti con un panno morbido inumidito con acqua saponata o detersivo diluito. Asciugate con un panno morbido o asciugate naturalmente.
- Pulite la superficie esterna del frigorifero con un panno morbido inumidito con acqua saponosa, detergente, ecc., E pulite asciutto.
- Non utilizzare spazzole dure, sfere d'acciaio, spazzole metalliche, abrasivi (come dentifrici), solventi organici (come alcol, acetone, olio di banana, ecc.), acqua bollente, acido o oggetti alcalini, che possono danneggiare la superficie e l'interno del refrigeratore. L'acqua bollente e i solventi organici come il benzene possono deformare o danneggiare le parti in plastica.
- Non risciacquate direttamente con acqua o altri liquidi durante la pulizia per evitare cortocircuiti o influire sull'isolamento elettrico dopo l'immersione.



 Si prega di scollegare il frigorifero per scongelare e pulire.

### 4.2 Pulizia del vassoio della porta

- Sollevare la parte anteriore del ripiano in vetro, poi estrarlo;
- Rimuovere il ripiano in vetro e pulire se è necessario;
- Per l'installazione del ripiano in vetro, effettuare l'operazione inversa.



## 4.3 Scongelamento

- Il frigorifero è prodotto in base al principio del raffreddamento ad aria e quindi ha la funzione di sbrinamento automatico. La brina formatasi a causa del cambio di stagione o della temperatura può anche essere rimossa manualmente scollegando l'apparecchio dalla rete elettrica o strofinando con un panno asciutto.

## 4.4 Fuori servizio

- Interruzione dell'alimentazione: In caso di mancanza di corrente anche se durante l'estate, gli alimenti all'interno dell'apparecchio possono essere conservati per diverse ore; durante un'interruzione di corrente, i tempi di apertura della porta devono essere ridotti e non devono più essere posizionati altri alimenti freschi nell'apparecchio.
- Inutilizzo per lungo tempo: L'apparecchio deve essere scollegato e quindi pulito; quindi le porte vengono lasciate aperte per evitare l'odore.
- Spostamento: Prima di spostare il frigorifero, togliere tutti gli oggetti, fissare con il nastro adesivo i divisori in vetro, il portaverdure, i cassetti della camera di refrigerazione, ecc. e serrare i piedini di livellamento; chiudere le porte e fissarle con il nastro adesivo. Durante lo spostamento, l'apparecchio non deve essere appoggiato capovolto o orizzontalmente, né deve essere sottoposto a vibrazioni; l'inclinazione durante il movimento non deve essere superiore a 45 °.



L'apparecchio deve funzionare continuamente una volta avviato. In generale, il funzionamento dell'elettrodomestico non deve essere interrotto; in caso contrario, la sua durata potrebbe essere compromessa



## 5 Risoluzione dei problemi

L'utente può provare a risolvere i seguenti semplici problemi da solo. Se non possono essere risolti, contattare il servizio post-vendita.

Operazione fallita	Verificare se l'apparecchio è collegato all'alimentazione o se la spina è collegata bene. Verificare se la tensione è troppo bassa. Verificare se è presente un'interruzione di corrente o se sono saltati alcuni circuiti elettrici.
Odore	Gli alimenti con forte odore devono essere avvolti bene. Controllare se c'è del cibo scaduto. Pulire l'interno del frigorifero.
Funzionamento da lungo tempo del compressore	Il funzionamento prolungato del frigorifero è normale durante l'estate quando la temperatura ambiente è elevata. Non è suggeribile avere contemporaneamente una quantità troppo alta del cibo nell'apparecchio. Il cibo deve raffreddarsi prima di essere inserito nell'apparecchio. Le porte vengono aperte troppo spesso.
La luce non si accende	Verificare se il frigorifero è collegato all'alimentazione elettrica e se la lampadina è stata danneggiata.
Le porte non possono essere chiuse correttamente	La porta è bloccata da pacchi di cibo. Il frigorifero è in posizione inclinata.
Forte rumore	Verificare se il pavimento è a livello e se il frigorifero è posizionato in modo stabile. Verificare che gli accessori siano posizionati nelle correttamente.
La guarnizione della porta non è a tenuta	Rimuovere gli elementi esterni dalla guarnizione della porta. Riscaldare la guarnizione della porta e poi raffreddarla per il restauro (o soffiarla con un asciugacapelli o utilizzare un asciugamano caldo per il riscaldamento).
La vaschetta dell'acqua trabocca	C'è troppo cibo negli scomparti o il cibo conservato contiene troppa acqua, il che risulta una quantità alta di brina. Le porte non sono chiuse bene, per cui l'aria entra all'interno dell'apparecchio e si congela. Successivamente, lo scongelamento di tale brina aumenta la quantità d'acqua.
Ambiente caldo	Dissipazione del calore del condensatore incorporato attraverso l'alloggiamento, che è normale. Quando l'alloggiamento si surriscalda a causa dell'elevata temperatura ambiente e la quantità di cibo conservato è elevata, fornire una buona ventilazione per facilitare la dissipazione del calore.
Condensa superficiale	La condensa sulla superficie esterna e sulle guarnizioni della porta del frigorifero è normale quando l'umidità ambientale è troppo alta. Basta pulire la condensa con un panno pulito.
Rumore anormale	Buzz: Il compressore può produrre ronzii durante il funzionamento e i ronzii sono forti soprattutto all'avvio o all'arresto. E 'normale. Scricchiolazione: Il refrigerante che scorre all'interno dell'apparecchio può produrre scricchiolii, il che è normale.

Tabella 1 Classi climatiche

Classe	Simbolo	Campo di temperatura ambiente °C
Temperatura estesa	SN	da + 10 a + 32
Temperato	N	da + 16 a + 32
Subtropicale	ST	da + 16 a + 38
Tropicale	T	da + 16 a + 43

Temperato esteso: questo apparecchio di refrigerazione è destinato ad essere utilizzato a temperatura ambiente

che vanno da 10 °C a 32 °C';

temperato: «questo apparecchio di refrigerazione è destinato ad essere utilizzato a temperature ambiente che vanno da 16 °C a 32 °C';

Subtropicale: «questo apparecchio di refrigerazione è destinato ad essere utilizzato a temperature

ambiente che vanno da 16 °C a 38 °C';

Tropicale: «questo apparecchio di refrigerazione è destinato ad essere utilizzato a temperature ambiente che vanno da 16 °C a 43 °C';

Le parti ordinate nella seguente tabella possono essere acquistate dal canale XXX:

Parte ordinata	Fornitore	Tempo minimo richiesto per la fornitura
termostati	Personale professionale di manutenzione	Almeno 7 anni dopo il lancio dell'ultimo modello sul mercato
temperature sensors	Personale professionale di manutenzione	Almeno 7 anni dopo il lancio dell'ultimo modello sul mercato
printed circuit boards	Personale professionale di manutenzione	Almeno 7 anni dopo il lancio dell'ultimo modello sul mercato
fonti di luce	Personale professionale di manutenzione	Almeno 7 anni dopo il lancio dell'ultimo modello sul mercato
door handles	Riparatori professionali e utenti finali	Almeno 7 anni dopo il lancio dell'ultimo modello sul mercato
door hinges	Riparatori professionali e utenti finali	Almeno 7 anni dopo il lancio dell'ultimo modello sul mercato
vassoi	Riparatori professionali e utenti finali	Almeno 7 anni dopo il lancio dell'ultimo modello sul mercato
cassetti	Riparatori professionali e utenti finali	Almeno 7 anni dopo il lancio dell'ultimo modello sul mercato
guarnizione della porta	Riparatori professionali e utenti finali	Almeno 10 anni dopo il lancio dell'ultimo modello sul mercato

Caro cliente

1. Se desideri restituire o sostituire il prodotto, contatta il negozio in cui lo hai acquistato.

(Ricordati di portare la fattura di acquisto)

2. Se il prodotto si guasta e necessita di riparazione, contattare il fornitore del servizio post-vendita.

Telefono:

Indirizzo e-mail:

